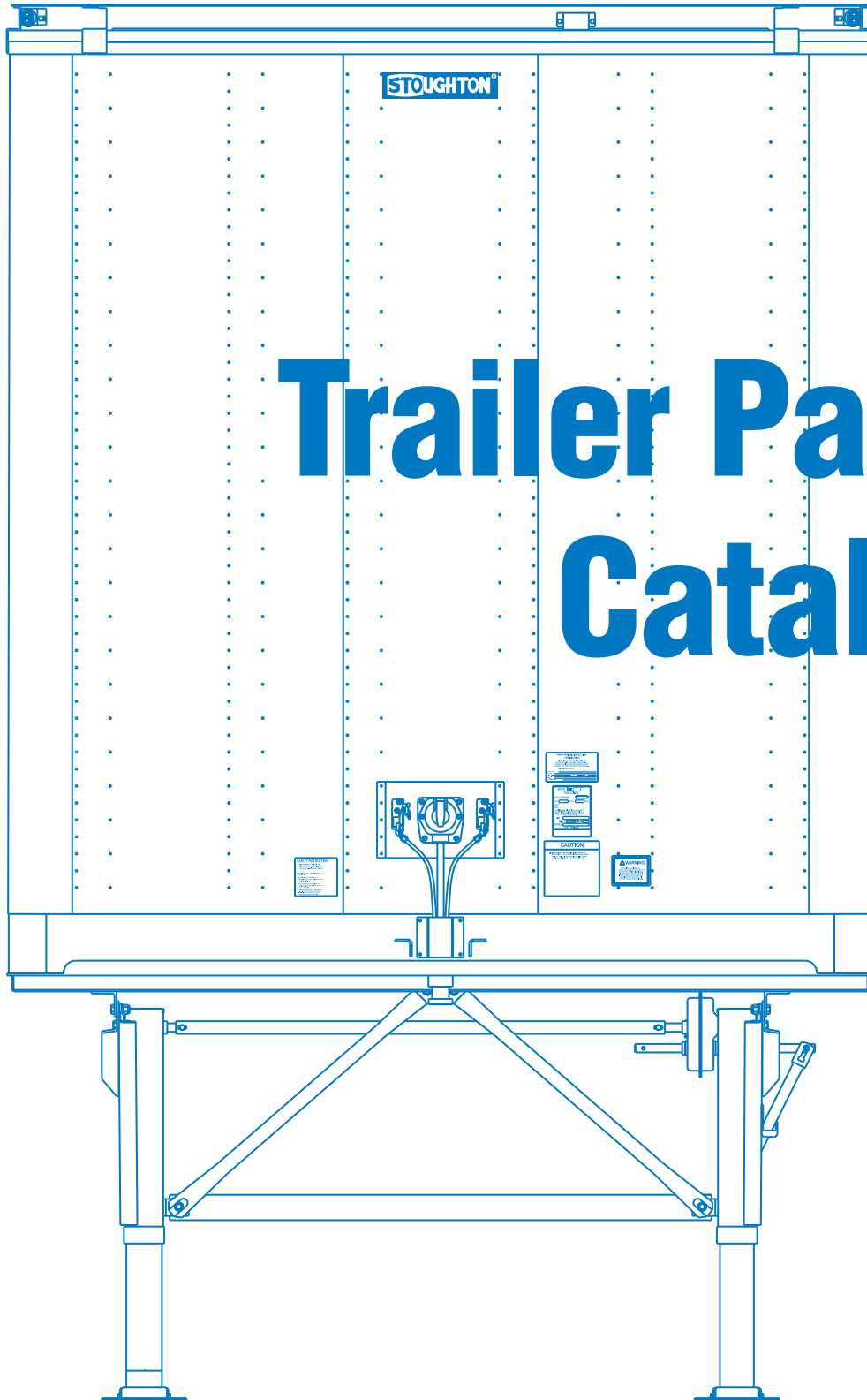




PARTS SALES

Your Make. Your Model. Your Part.



Trailer Parts Catalog



STOUGHTON PARTS SALES

1112 Veterans Rd.

Stoughton, WI 53589

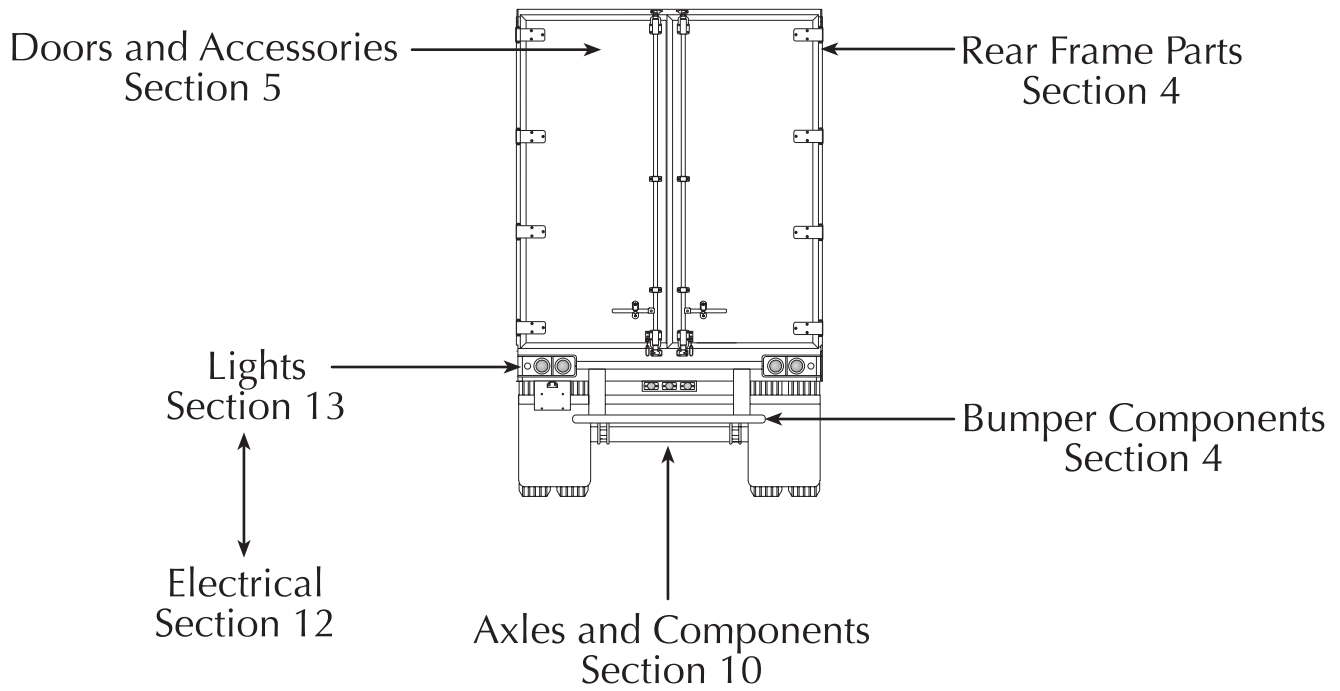
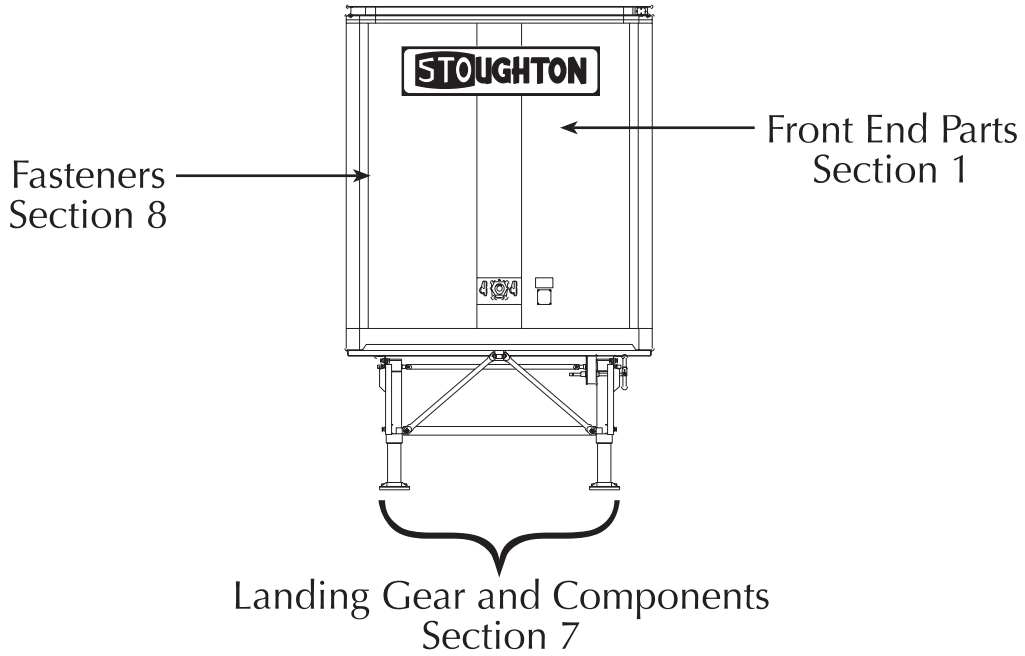
Phone: 1-800-227-5391

Fax: 1-608-873-2870

E-mail: parts@stoughton-trailers.com

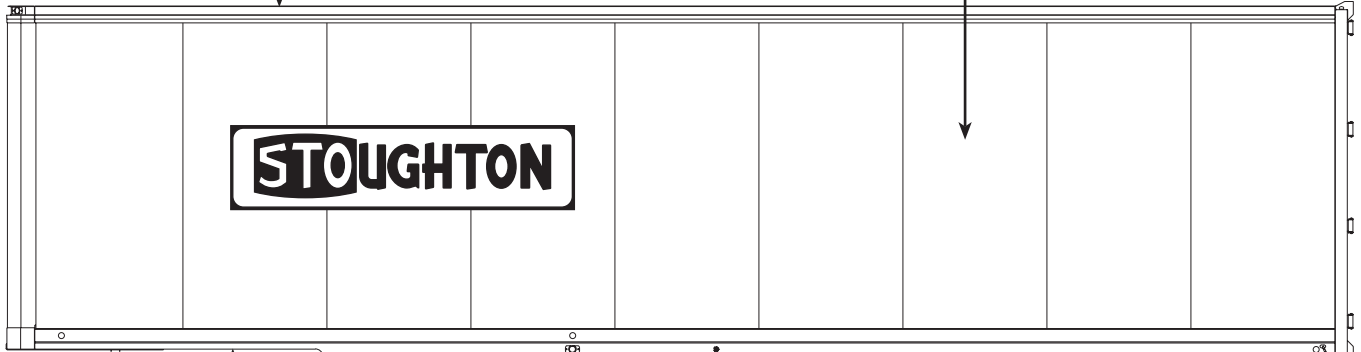
TABLE OF CONTENTS

Front End Parts	Section 1
Sidewall Parts.....	Section 2
Roof Components and Supplies.....	Section 3
Rear Frame and Bumper Parts	Section 4
Doors and Accessories.....	Section 5
Floor Components.....	Section 6
Landing Gear and Components	Section 7
Fasteners.....	Section 8
Suspensions	Section 9
Axles and Components	Section 10
Air Systems	Section 11
Electrical.....	Section 12
Lights and Reflectors.....	Section 13
Miscellaneous.....	Section 14
Chassis and Container Components.....	Section 15
Index.....	Section 16

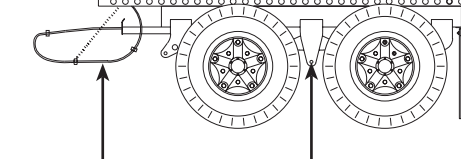


Roof Components and Supplies
Section 3

Sidewall Parts
Section 2



Floor Components
Section 6



Suspensions
Section 9

Air Systems
Section 11

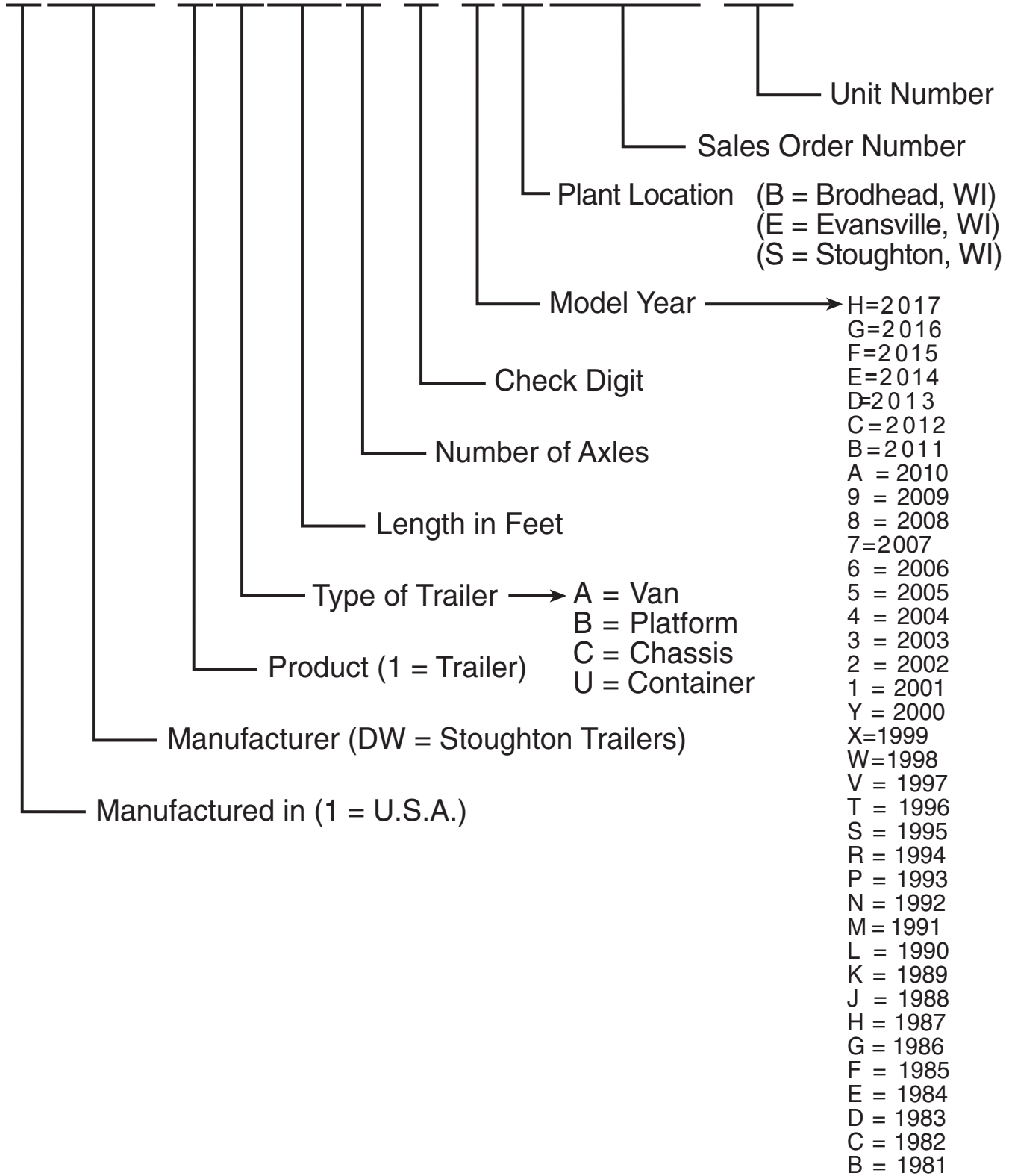
Miscellaneous
Section 14

Chassis and Container
Components
Section 15



VEHICLE IDENTIFICATION NUMBER

1DW 1A482 0 JS5000 01





MODEL CODE IDENTIFICATION

Old Code	New Code	Description
ACV	AC	Aluminum Corrugated Van – 96" Wide
ACVW	ACW	Aluminum Corrugated Van – 102" Wide
AGV	----	Aluminum Grain Van – 96" Wide
AHV	----	Aluminum Hopper Van – 96" Wide
ASV	AV	Aluminum Van – 96" Wide
ASVW	AVW	Aluminum Van – 102" Wide
ASVW-C	AVW-C	Aluminum Van – 102" Wide, Hi-Cube
ASVW-O	AVW-O	Aluminum Van – 102" Wide, Open Top
ASVW-DF	AVW-DF	Aluminum Van – 102" Wide, Drop Frame
----	AXVW	Aluminum Xtrawide Interior Van – 102" Wide
DAV	DV	Doubles Van – 96" Wide
DAVW	DVW	Doubles Van – 102" Wide
DEV	DEV	Doubles Exterior Post Van – 96" Wide
DEVW	DEVW	Doubles Exterior Post Van – 102" Wide
DD-S	DD-S	Doubles Dolly – 96" Wide, Single Axle
DDW-S	DDW-S	Doubles Dolly – 102" Wide, Single Axle
DD-T	DD-T	Doubles Dolly – 96" Wide, Tandem
DDW-T	DDW-T	Doubles Dolly – 102" Wide, Tandem
FRPV	FV	Fiberglass Van – 96" Wide
FRPVW	FVW	Fiberglass Van – 102" Wide
FRPVW-C	FVW-C	Fiberglass Van – 102" Wide, Hi-Cube
FRPVW-O	FVW-O	Fiberglass Van – 102" Wide, Open Top
FRPVW-DF	FVW-DF	Fiberglass Van – 102" Wide, Drop Frame
FRPV-XW	FV-XW	Fiberglass Van – 102 3/8" Extra Wide
FRPD	DFV	Fiberglass Doubles Van – 96" Wide
FRPDW	DFVW	Fiberglass Doubles Van – 102" Wide
HPL	HP	Heavy Duty Platform – 96" Wide (Flatbed)
HPLW	HPW	Heavy Duty Platform – 102" Wide (Flatbed)
----	PVW	Plate Side Van – 102 3/8" Wide
----	AEDCW	Aluminum Exterior Post Domestic Container – 102" Wide
----	ASDCW	Aluminum Smoothside Domestic Container – 102" Wide
----	ZPVW	Z-Plate Van – 102" Wide
----	ZGPVW	Z-Plate (G-Bond) Van – 102" Wide
----	SEDCW	Steel Body Container – Roll-Form Exterior Post
----	SEVW	Steel Exterior Post Van – 102" Wide
----	ZTPVW	Toughplate Z-Plate Van – 102" Wide

The Model Code is stamped on the Vehicle Identification Number (VIN) plate located on the roadside nose of all Stoughton Trailers, Inc. products.



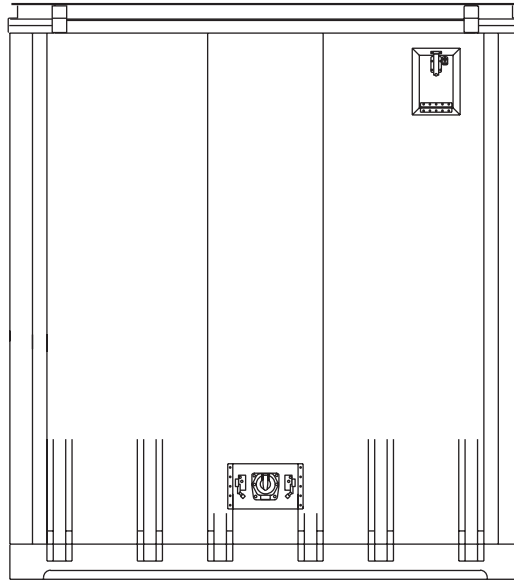
Competitive Makes Extruded Rail Quality Statement

Stoughton Parts Sales, LLC strives to provide the Semi-Trailer Parts aftermarket with the finest quality extruded aluminum rails possible. Rails for our aftermarket program are engineered and manufactured to the same rigid specifications and processes as our “original equipment” rails. Because of this rigid process, we can certify that:

- All extruded parts are made from “prime” 6061-T6 alloy.
- Rails are **Made in the U.S.A.** by an acknowledged long-term supplier to trailer industry ‘Original Equipment’ Manufacturers.
- All parts can be traced back to the original billet for chemical certification.
- Chemical certification can be supplied upon request.
- All of the processes for extrusion are documented “recipes” with proven mechanical performance exceeding 6061-T6 specification.

We can say with confidence that we believe we are providing some of the finest extrusion products in the industry today.

— *Stoughton Parts Sales, LLC*



Corner Castings.....	1-3
Stoughton.....	1-3
Great Dane	1-3
Hyundai.....	1-4
Lufkin	1-5
Monon	1-5
Pines	1-5
Strick	1-5
Trailmobile.....	1-6
Utility	1-6
Wabash.....	1-6
Corner Protectors	1-7
Stoughton.....	1-7
Great Dane	1-7
Pines	1-8
Strick	1-8
Corner Panels.....	1-9
Stoughton.....	1-9
Dorsey.....	1-11
Fruehauf.....	1-11
Great Dane	1-12
Hyundai.....	1-13
Kentucky	1-14
Lufkin	1-15
Manac	1-15
Monon	1-15
Pines	1-16
Strick	1-17
Strick.....	1-18

Trailmobile..... 1-19

Utility 1-20

Vanguard Trailer..... 1-20

Wabash 1-20

Corner Liners..... 1-21

 Stoughton..... 1-21

 Frehauf..... 1-23

 Hyundai..... 1-23

 Strick 1-24

 Trailmobile..... 1-24

Corner Posts..... 1-25

 Stoughton..... 1-25

 Great Dane 1-25

 Monon 1-25

 Pines 1-26

 Trailmobile..... 1-26

 Utility 1-27

 Wabash 1-28

Front Wall Posts 1-29

 Stoughton..... 1-29

 Great Dane 1-31

 Manac 1-31

 Utility 1-31

 Lufkin 1-31

 Trailmobile..... 1-31

 Wabash 1-31

Nose Rails 1-32

 Stoughton..... 1-32

 Dorsey..... 1-33

 Fruehauf..... 1-33

 Great Dane 1-34

 Hyundai..... 1-35

 Trailmobile..... 1-36

 Utility 1-37

 Vanguard Trailers..... 1-38

 Wabash 1-38

Front Wall Covers..... 1-40

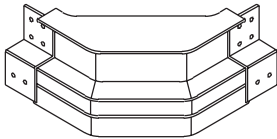
 Stoughton..... 1-40

Front – Miscellaneous 1-41

 Stoughton..... 1-41

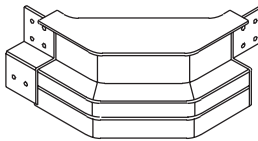
CORNER CASTINGS

Stoughton



Stoughton Number	Model
* 04 09816 000 00	CONTAINER
04 12835 000 00	AV (shown)

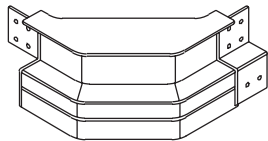
04 12835 000 00 originally replaced 04 09728 000 00



ROADSIDE

Stoughton Number	Model
04 12834 100 00	EV & FV

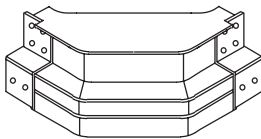
FRP



CURBSIDE

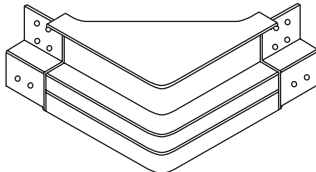
Stoughton Number	Model
04 12834 200 00	EV & FV

FRP

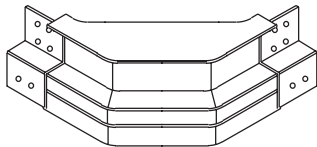


Stoughton Number	Model
* 04 13853 000 00	PDCW

J.B. Hunt only



Stoughton Number	Model
04 14908 000 00	PV



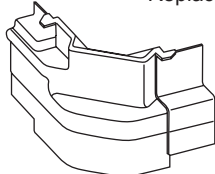
Stoughton Number	Model
04 18306 000 00	PVW

Replaces 04 16546 000 00



ALUMINUM CORNER CAP

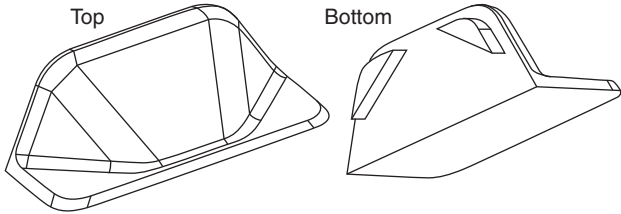
Stoughton Number	Model
04 19507 000 00	DVW-28 (UPS)



CORNER CASTING

Stoughton Number	Model
04 20624 100 00	ZPVW*
04 20624 200 00	ZPVW*

* 100 = Roadside, 200 = Curbside

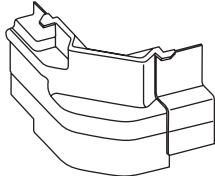


Top

Bottom

RUB RAIL CAP, ALUM T6

Stoughton Number
04 21987 000 00

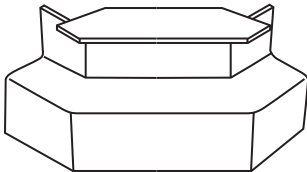


CORNER CASTING

Stoughton Number	Model
04 22044 100 00	ZGPPVW*
04 22044 200 00	ZGPPVW*

* 100 = Roadside, 200 = Curbside

Great Dane



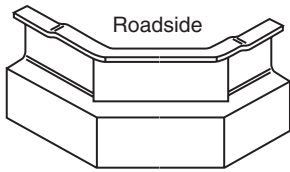
CORNER CAP, CAST ALUM

Stoughton Number
GD#69102183

* Refers to Container

CORNER CASTINGS

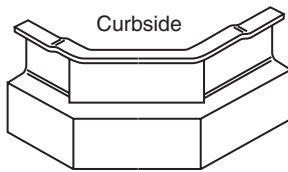
Hyundai



CORNER CASTING, RS

Stoughton Number

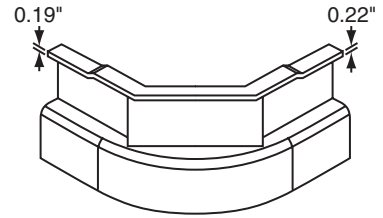
HY#1000-4167



CORNER CASTING, CS

Stoughton Number

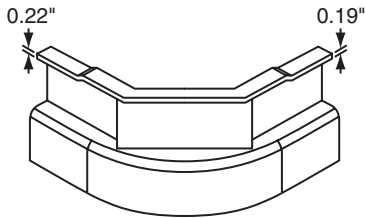
HY#1000-4168



CORNER CAP, ALUM, LH

Stoughton Number

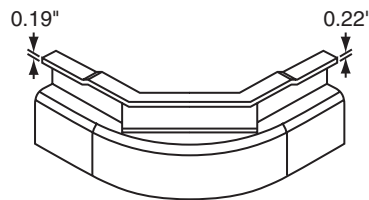
HY#1001-2219



CORNER CAP, ALUM, RH

Stoughton Number

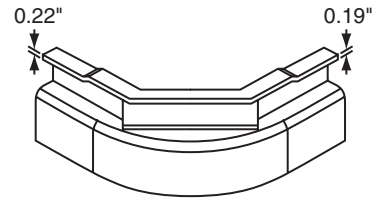
HY#1001-2220



CORNER CAP, ALUM, LH

Stoughton Number

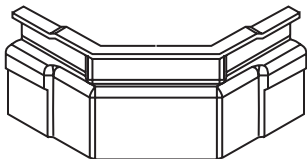
HY#1001-3434



CORNER CAP, ALUM, RH

Stoughton Number

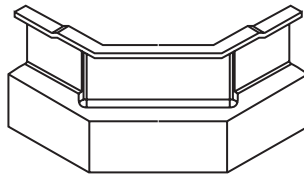
HY#1001-3435



CORNER CAP

Stoughton Number

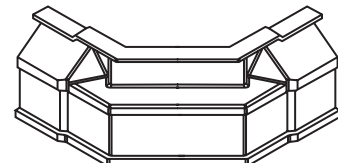
HY#1001-4978



CORNER CAP

Stoughton Number

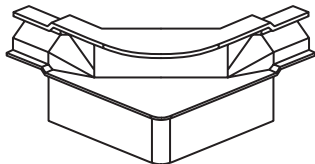
HY#1001-5378



CORNER CAP, ALUM

Stoughton Number

HY#1001-5416



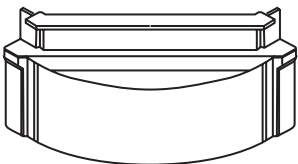
CORNER CAP, ALUM

Stoughton Number

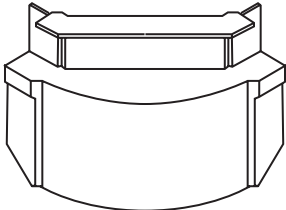
HY#1001-6167

CORNER CASTINGS

Lufkin

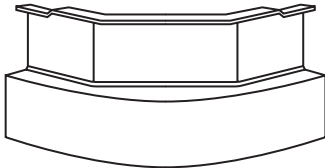


CORNER CAP
Stoughton Number
LUF-60113

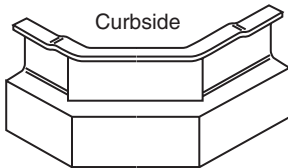


CORNER CAP
Stoughton Number
LUF-65278

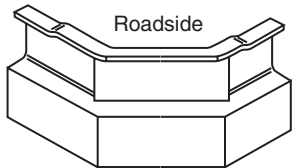
Monon



CORNER CAP, ALUM
Stoughton Number
MON-AI042138

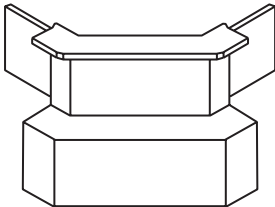


CORNER CAP, CS, A101090-2
Stoughton Number
MON-V02-197R

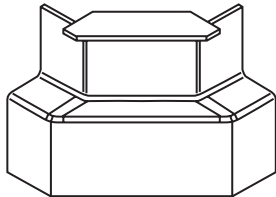


CORNER CAP, RS, A101090-1
Stoughton Number
MON-V02-198L

Pines

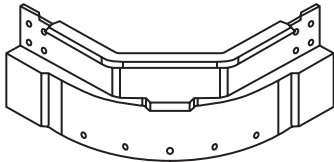


CORNER CAP, PINES
Stoughton Number
PINE CC11100



CORNER CAP
Stoughton Number
PINE CCB7177

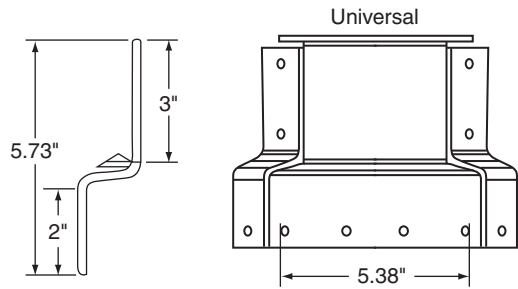
Strick



CORNER CAP, ALUM
Stoughton Number
STR#GA65D0030100

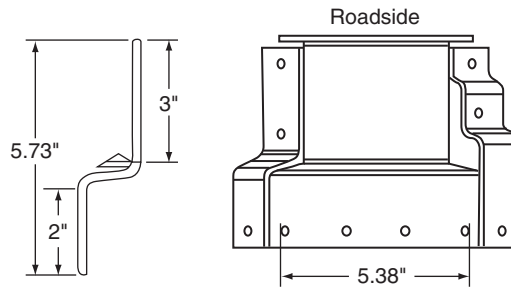
CORNER CASTINGS

Trailmobile



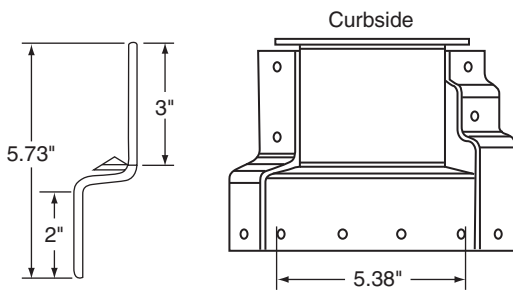
CORNER CASTING, ALUM

Stoughton Number
TM7511-A1-05



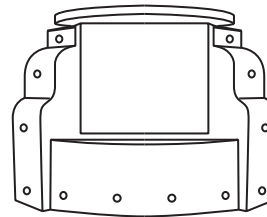
CORNER CASTING, ALUM

Stoughton Number
TM7511-A1-06L



CORNER CASTING, ALUM

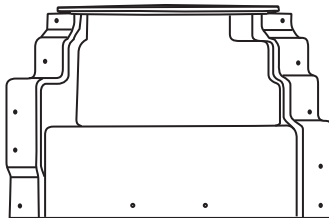
Stoughton Number
TM7511-A1-06R



CORNER CASTING, ALUM

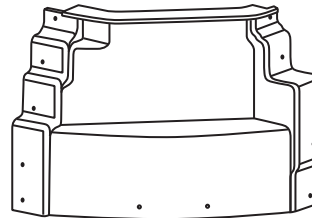
Stoughton Number
TM7511-A1-08

Utility



CORNER CASTING, CS

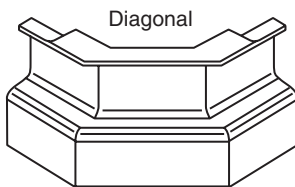
Stoughton Number
UT-01-1550-0-32



CORNER CASTING, RS

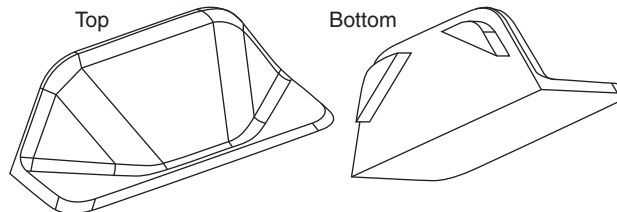
Stoughton Number
UT-01-1550-0-33

Wabash



CORNER CAP

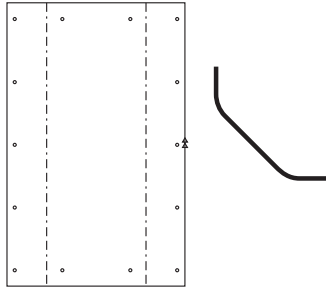
Stoughton Number
WAB-04300002



END CAP

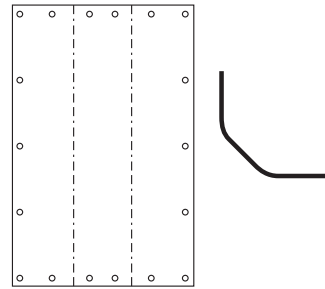
Stoughton Number
WAB-04300004

CORNER PROTECTORS Stoughton



SHEET/POST CORNER PROTECTOR

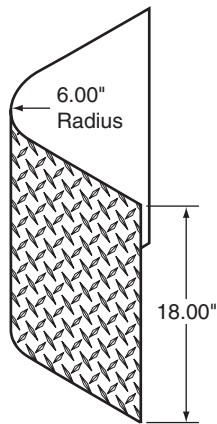
Stoughton Number
01 18090 000 00



Z-PLATE CORNER PROTECTOR

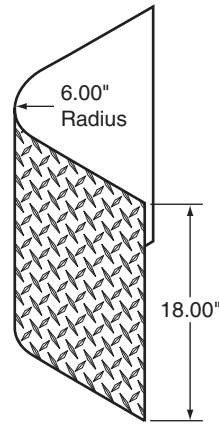
Stoughton Number
01 22009 000 00

Great Dane



6" CORNER PROTECTOR

Stoughton Number
GD#40701201

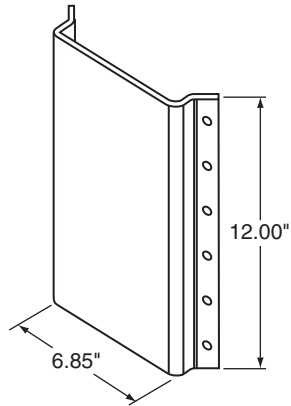


6" CORNER PROTECTOR

Stoughton Number
GD#40701227

CORNER PROTECTORS

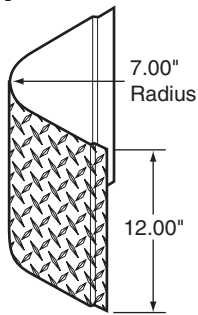
Pines



CORNER PROTECTOR

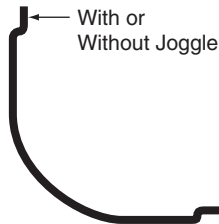
Stoughton Number
PINE AMEB6465

Strick



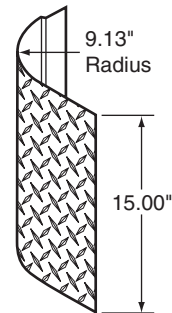
7.25" CORNER PROTECTOR

Stoughton Number
STR#22476



CORNER PROTECTOR, MILL 7"

Stoughton Number
STR#28761

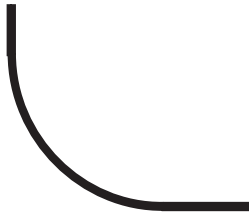


9.125" CORNER PROTECTOR

Stoughton Number
STRAA59B10270100

CORNER PANELS

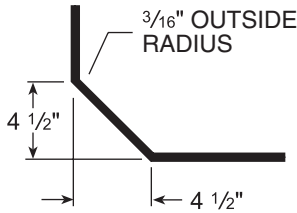
Stoughton



RADIUS CORNER

Stoughton Number	Length	Material
01 04642 XXX 01	104"	.063 Aluminum – Prepainted White

Replaces 01 07739 000 00



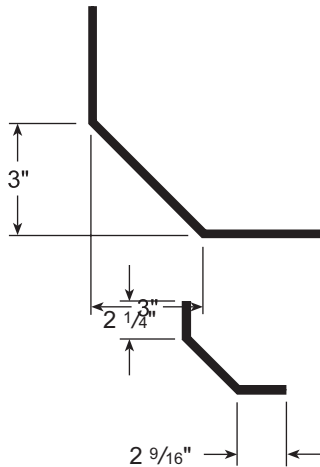
BEVEL CORNER

Stoughton Number	Length	Material
01 08581 XXX 01	110 1/4"	.063 Aluminum – Prepainted White
01 08581 XXX 05	110 1/4"	.026 Galavan – Prepainted White
01 08637 XXX 00	108 1/2"	.036 Stainless Steel – Mirror
01 08637 XXX 01	108 1/2"	.036 Stainless Steel – Brush

All dimensions same except length

01 08581 XXX 01 replaces 01 09169 000 00

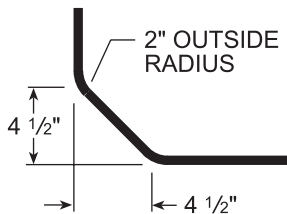
01 08581 XXX 05 replaces 01 10038 000 00



Stoughton Number	Length	Material
01 08808 XXX 00	89 3/4"	Aluminum

BEVEL CORNER – CONTAINER

Stoughton Number	Length	Material
01 09849 XXX 00	101 1/2"	.063 Aluminum – Prepainted White



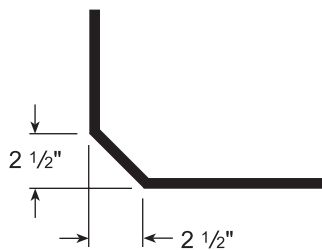
BEVI-ROUND CORNER

Stoughton Number	Length	Material
01 12994 XXX 00	107"	.063 Aluminum – Prepainted White
01 12994 XXX 01	107"	.050 Aluminum – Prepainted Black
01 12994 XXX 04	107"	.036 Stainless Steel – Mirror
01 12994 XXX 05	107"	.026 Galavan – Prepainted White

01 12994 XXX 00 replaces 01 09919 000 00, 01 12954 000 00, 01 13260 000 00,

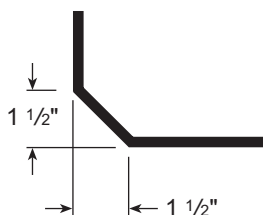
01 13311 000 00, 01 13465 000 00, 01 14998 000 00, and 01 16121 000 00

Other colors may be available. Please call with needs.



BEVEL CORNER PANEL

Stoughton Number	Length	Material
01 13667 007 00	104 7/8"	.063 Aluminum – Prepainted White

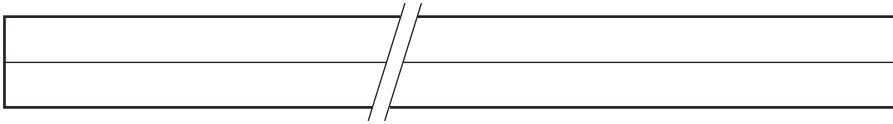


BEVEL CORNER PANEL

Stoughton Number	Length	Material
01 14409 000 00	108 7/8"	Aluminum

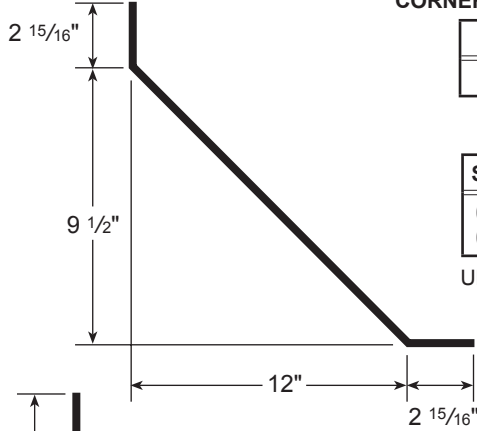
CORNER PANELS

Stoughton



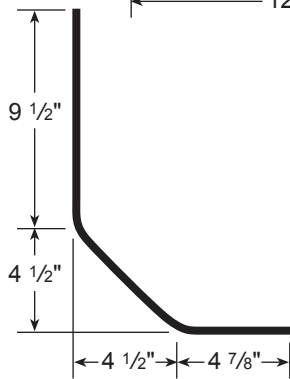
CORNER RADIUS, UNPUNCHED, BLUE

Stoughton Number
01 18760 X07 06



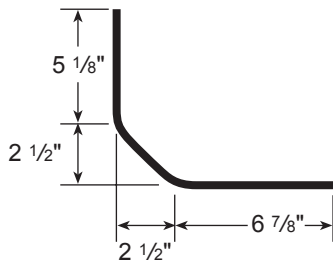
Stoughton Number	Length	Material	Remarks
01 19642 100 00	101"	.125 Mill Finish Aluminum	Roadside
01 19642 200 00	101"	.125 Mill Finish Aluminum	Curbside

UPS specification



Stoughton Number	Length	Material	Remarks
01 20165 100 00	101 1/2"	.050 Aluminum	Roadside
01 20165 200 00	101 1/2"	.050 Aluminum	Curbside
01 20165 XXX 00	101 1/2"	.050 Aluminum	Unpunched

Fed Ex Ground specification



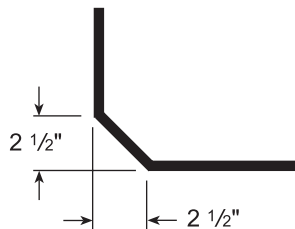
Z-PLATE

Stoughton Number	Length	Material	Remarks
01 20838 106 00	104 7/8"	.125 Mill Finish Stainless Steel	Roadside
01 20838 108 00	105.62"	.125 Mill Finish Stainless Steel	Roadside
01 20838 206 00	104 7/8"	.125 Mill Finish Stainless Steel	Curbside
01 20838 208 00	105.62"	.125 Mill Finish Stainless Steel	Curbside

Z-G-PLATE

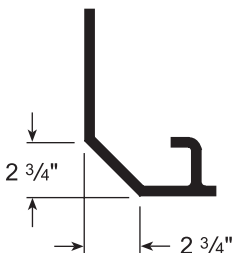
Stoughton Number	Length	Material	Remarks
01 22583 106 00	104 7/8"	.125 Mill Finish Stainless Steel	Roadside
01 22583 206 00	104 7/8"	.125 Mill Finish Stainless Steel	Curbside

BEVEL CORNER PANEL – PLATE TRAILER



Stoughton Number	Length	Material
02 16671 109 12	109 1/8"	Mill Finish
04 13847 109 88	109 7/8"	Extruded Aluminum – Prepainted White

BEVEL CORNER PANEL – J.B. HUNT CONTAINER

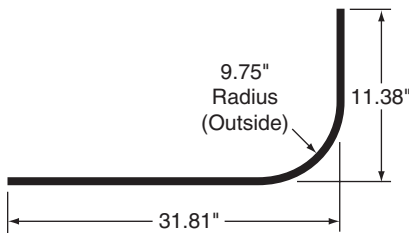


Stoughton Number	Length	Material	Remarks
04 14279 109 12	109 1/8"	Extruded Aluminum	White

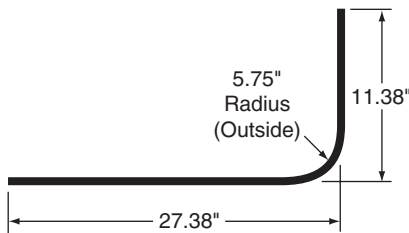
Replaces 01 13951 100 00 and 01 13951 200 00

CORNER PANELS

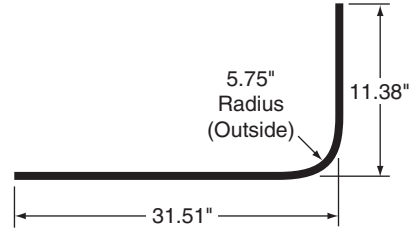
Dorsey



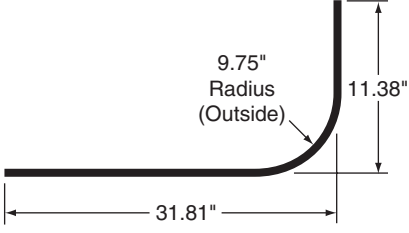
10" RADIUS PANEL, PPW
 Stoughton Number
DOR-FA30382



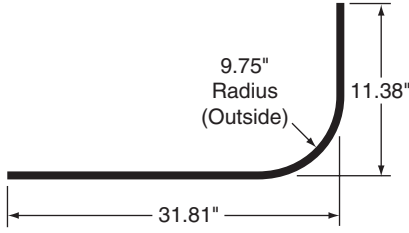
5.7" RADIUS PANEL, PPW
 Stoughton Number
DOR-FA30783



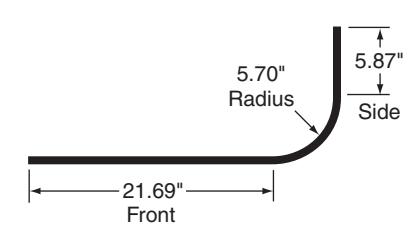
RADIUS PANEL
 Stoughton Number
DOR-FA3068267



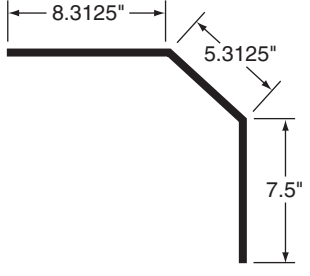
10" RADIUS PANEL
 Stoughton Number
DOR-FB30382



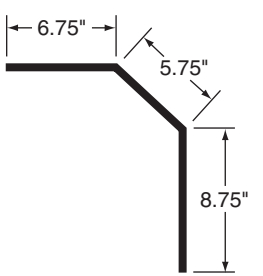
10" RADIUS PANEL
 Stoughton Number
DOR-FR30382



5.7" RADIUS PANEL, SS W/PVC
 Stoughton Number
DOR-FR30781

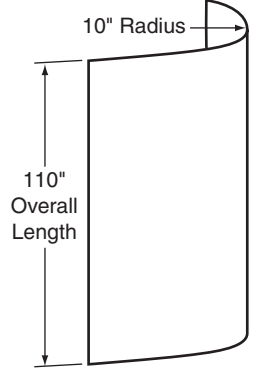


RADIUS PANEL, BEVEL, FRONT
 Stoughton Number
DOR-FR2804118

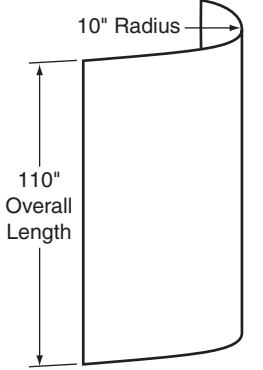


110" RADIUS PANEL W/PVC, WHT
 Stoughton Number
DOR-FR2898301

Fruehauf



10" RADIUS PANEL W/PVC, GRAY/WHT
 Stoughton Number
FRU#WCC8051-SPA

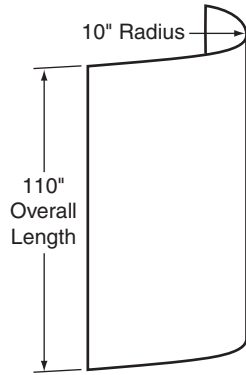


10" RADIUS PANEL, MILL FINISH
 Stoughton Number
FRU#WCC8051-SPN

"Dorsey," "Fruehauf," "Great Dane," "Hyundai," "Kentucky," "Lufkin," "Monon," "Manac," "Pines," "Strick," "Trailmobile," "Utility," "Vanguard Trailer," and "Wabash" are trademarks of their respective owners and are used only to identify corresponding part numbers of Stoughton Part Sales, LLC. Stoughton Part Sales, LLC is not affiliated with the owners of these trademarks.

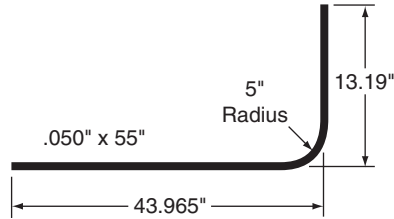
CORNER PANELS

Fruehauf



10" RADIUS PANEL W/PVC, PPW

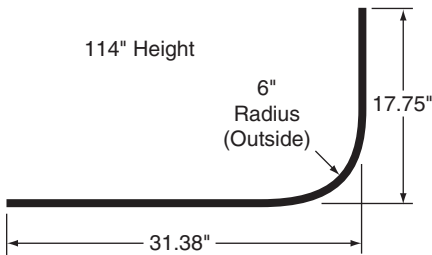
Stoughton Number
FRU#WCC8051-SPW



5" RADIUS PANEL

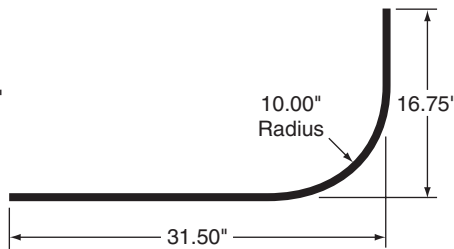
Stoughton Number
FRU#WCF9212-900W

Great Dane



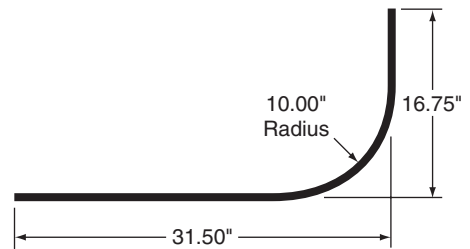
6" RADIUS CORNER PANEL, 45 x 114"

Stoughton Number
GD#00600



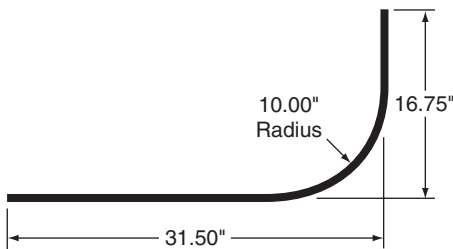
10" RADIUS CORNER PANEL, ALUM

Stoughton Number
GD#08014



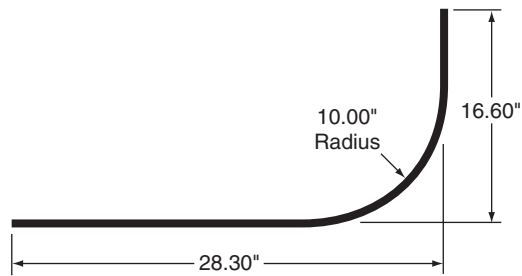
10" RADIUS PANEL, PPW

Stoughton Number
GD#08670



10" RADIUS PANEL

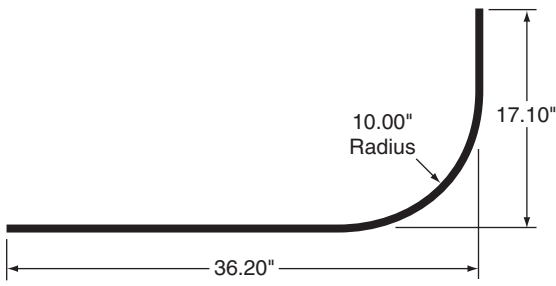
Stoughton Number
GD#08670-41



10" RADIUS PANEL, SS

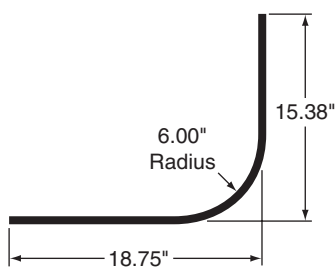
Stoughton Number
GD#09416

CORNER PANELS Great Dane



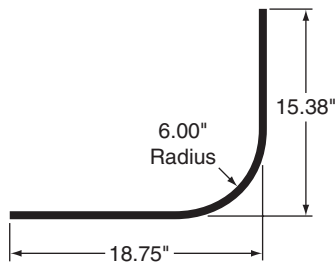
10" RADIUS PANEL, PPW

Stoughton Number
GD#14048



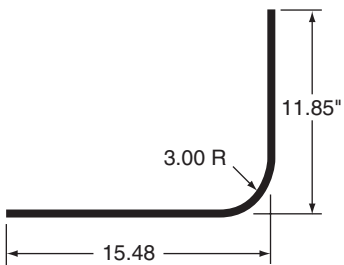
6" RADIUS PANEL, CS 100-1/4"

Stoughton Number
GD#40803901



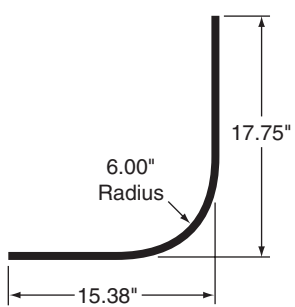
6" RADIUS PANEL, SS

Stoughton Number
GD#69102520
GD#69102520-015



RADIUS PANEL, PPW, CS/RS

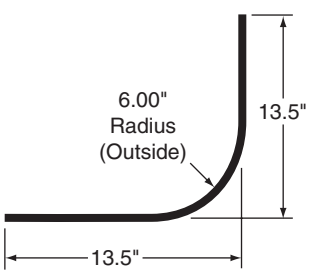
Stoughton Number
GD#69104743002



CORNER RADIUS, PPG

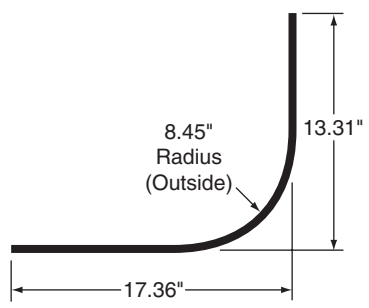
Stoughton Number
GD#69105418001

Hyundai



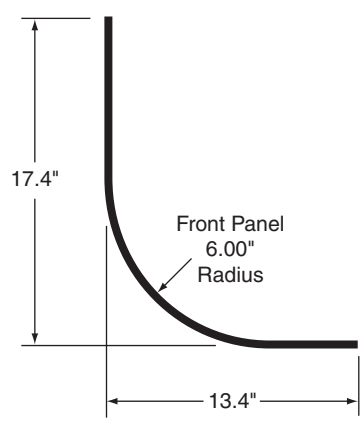
6" RADIUS PANEL

Stoughton Number
HY#2000-1761



8.45" RADIUS PANEL, WHT, ALUM

Stoughton Number
HY#2000-2753



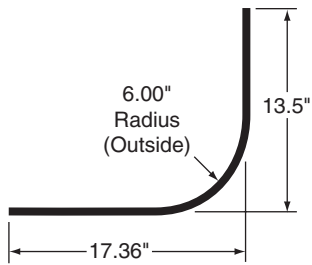
6" RADIUS PANEL W/ PVC

Stoughton Number
HY#2000-3024

"Dorsey," "Fruehauf," "Great Dane," "Hyundai," "Kentucky," "Lufkin," "Monon," "Manac," "Pines," "Strick," "Trailmobile," "Utility," "Vanguard Trailer," and "Wabash" are trademarks of their respective owners and are used only to identify corresponding part numbers of Stoughton Part Sales, LLC. Stoughton Part Sales, LLC is not affiliated with the owners of these trademarks.

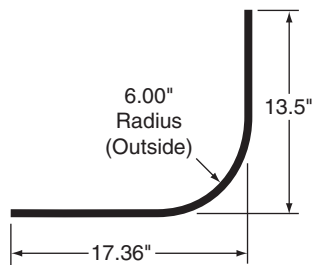
CORNER PANELS

Hyundai



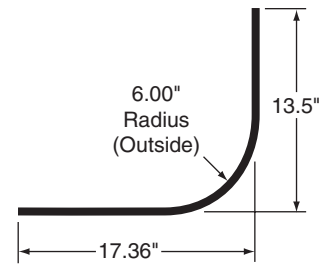
6" RADIUS PANEL, WHT, ALUM

Stoughton Number
HY#2000-8663



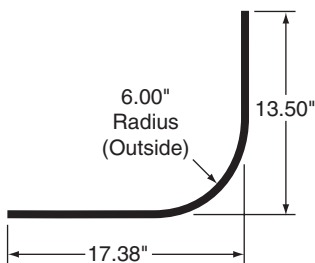
6" RADIUS PANEL, PPW W/PVC 114"

Stoughton Number
HY#2000-7553



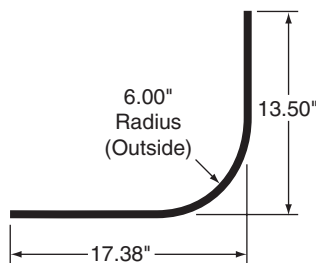
6" RADIUS PANEL, WHT, ALUM

Stoughton Number
HY#2001-0723



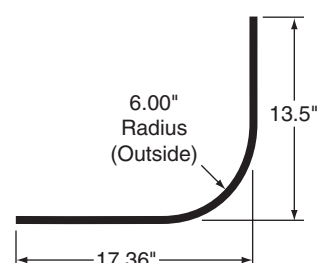
6" RADIUS PANEL W/PVC, WHT

Stoughton Number
HY#2001-3205



6" RADIUS PANEL W/PVC, BLK

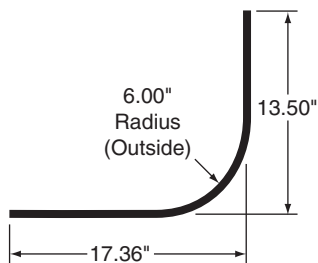
Stoughton Number
HY#2001-4752



6" RADIUS PANEL, WHT, ALUM

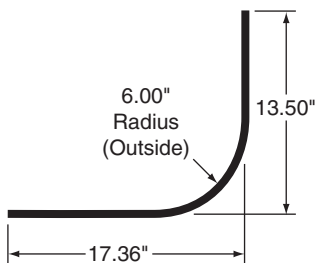
Stoughton Number
HY#2001-6270

Kentucky



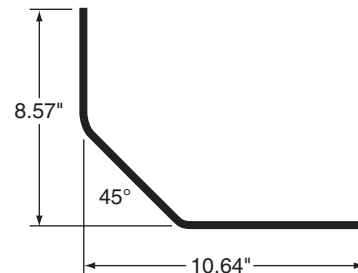
6" RADIUS PANEL, PPW W/PVC 114"

Stoughton Number
HY#2002-6492



6" RADIUS PANEL, PPW W/PVC 114"

Stoughton Number
HY#2003-2332

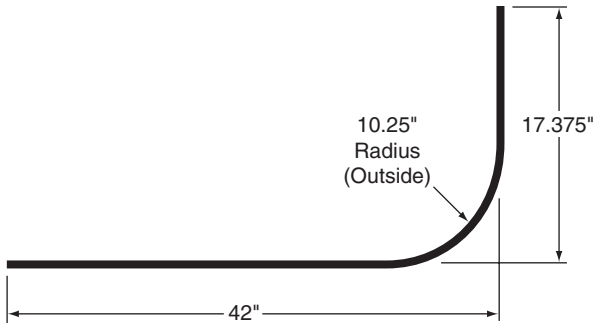


110° RADIUS PANEL, BEVELED, WHT

Stoughton Number
KY#15556-3

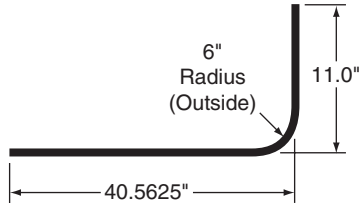
CORNER PANELS

Lufkin



10.25" RADIUS PANEL, WHT, ALUM

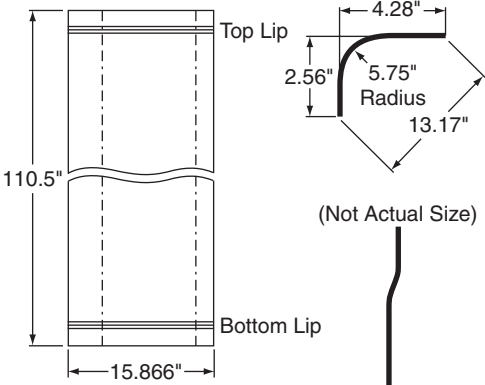
Stoughton Number
LUF-A60252



6" RADIUS PANEL, WHT, ALUM

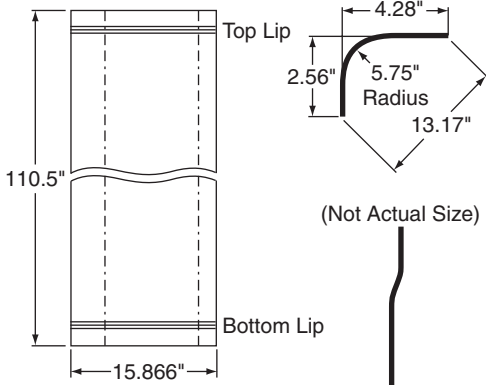
Stoughton Number
LUF-A65611

Manac



6" RADIUS PANEL, WHT, ALUM

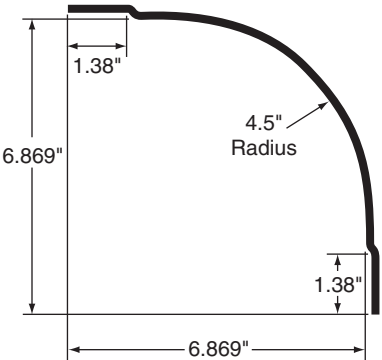
Stoughton Number
MANAC#567-058



6" RADIUS PANEL, SST

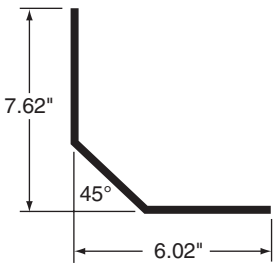
Stoughton Number
MANAC#567-0581

Monon



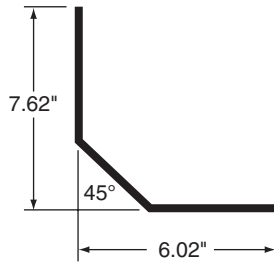
4.5" RADIUS PANEL

Stoughton Number
MON-AX042641



RADIUS PANEL, WHT, GALV

Stoughton Number
MON-EC033530



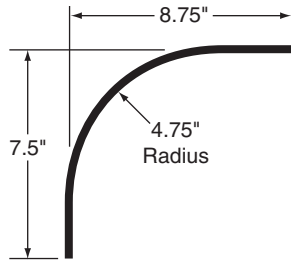
RADIUS PANEL, WHT, ALUM

Stoughton Number
MON-EC033532

"Dorsey," "Fruehauf," "Great Dane," "Hyundai," "Kentucky," "Lufkin," "Monon," "Manac," "Pines," "Strick," "Trailmobile," "Utility," "Vanguard Trailer," and "Wabash" are trademarks of their respective owners and are used only to identify corresponding part numbers of Stoughton Part Sales, LLC. Stoughton Part Sales, LLC is not affiliated with the owners of these trademarks.

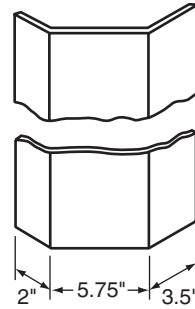
CORNER PANELS

Monon



4.75" RADIUS PANEL, WHT, ALUM

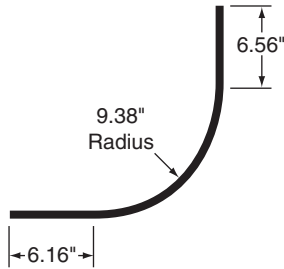
Stoughton Number
MON-EC041408-B



RADIUS PANEL

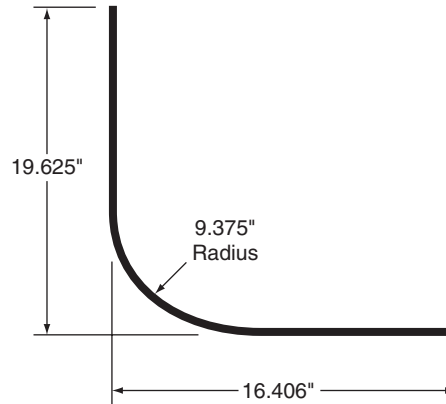
Stoughton Number
MON-V04-132

Pines



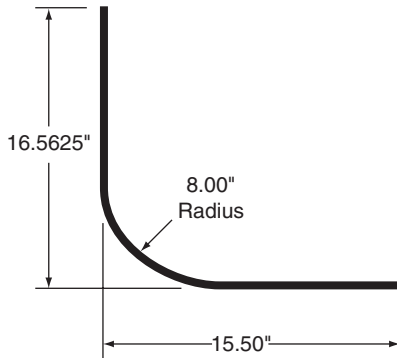
10" RADIUS PANEL, PPW

Stoughton Number
PINE ASB 5106-CS



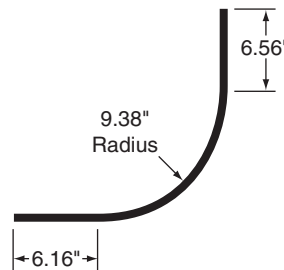
9.375" RADIUS PANEL W/PVC, WHT

Stoughton Number
PINE ASB 5164



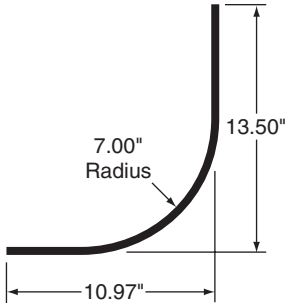
8" RADIUS PANEL W/PVC, WHT, 110"

Stoughton Number
PINE ASB 5559



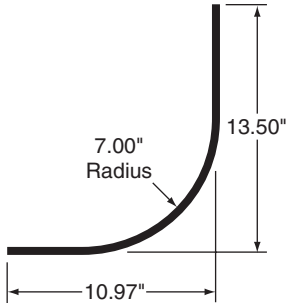
10" RADIUS PANEL, UNIV, PPW

Stoughton Number
PINE ASB 5950



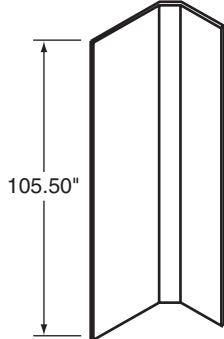
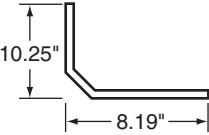
7" RADIUS PANEL, POLAR WHT

Stoughton Number
STR#06876



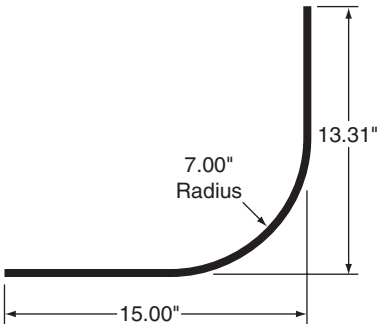
7" RADIUS PANEL, POLAR WHT, 114.5" LONG

Stoughton Number
STR#06876-114.5



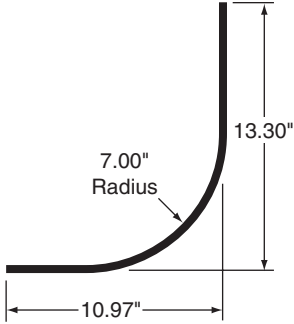
RADIUS PANEL W/PVC, STRICK, WHT

Stoughton Number
STR#16313



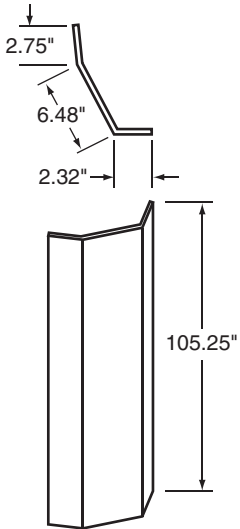
RADIUS PANEL (STRICK STYLE)

Stoughton Number
STR#21887



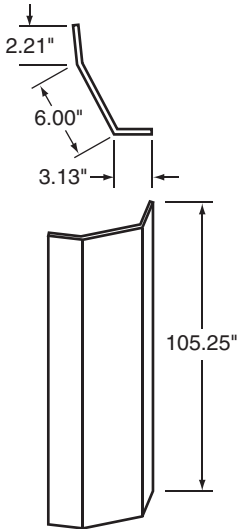
7" RADIUS PANEL, BARE, 94.5"

Stoughton Number
STR#24799



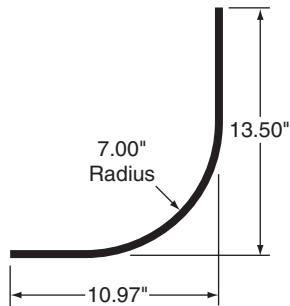
RADIUS PANEL, PPW, RS

Stoughton Number
STR#29793



RADIUS PANEL, WHT, RS

Stoughton Number
STR#29855

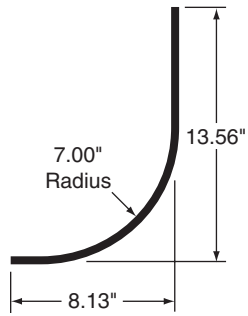


7" RADIUS PANEL, OUTSIDE, 107.5"

Stoughton Number
STR#45305

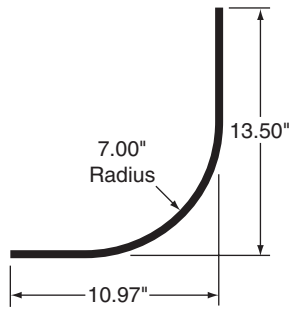
CORNER PANELS

Strick



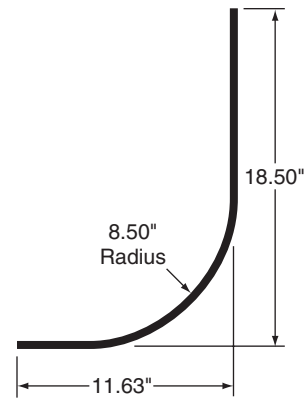
7" RADIUS PANEL W/PVC, POLAR WHT

Stoughton Number
STR#52535



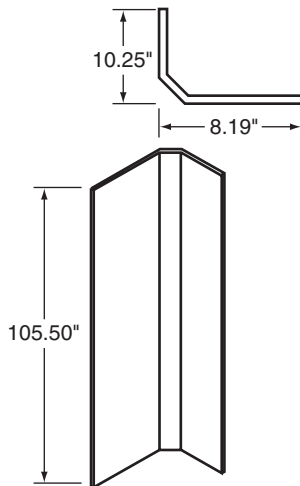
7" RADIUS PANEL, OUTSIDE, 105.5"

Stoughton Number
STR-086876-105.5



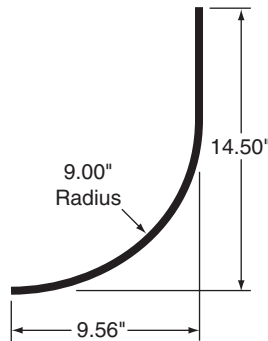
8.5" RADIUS PANEL, BARE, 114-7/8"

Stoughton Number
STRAA63C40007421



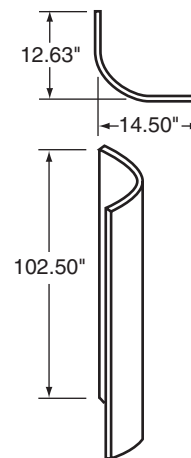
RADIUS PANEL, BEVEL, MILL FINISH

Stoughton Number
STRAA63C72182421



9.5" RADIUS PANEL, FRONT, 91.5"

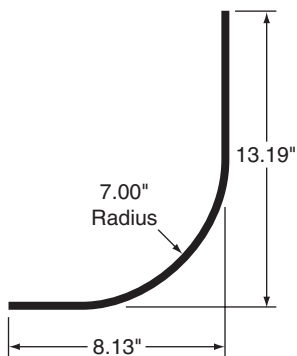
Stoughton Number
STRAA63C53381173



RADIUS PANEL, FRONT, 102.5"

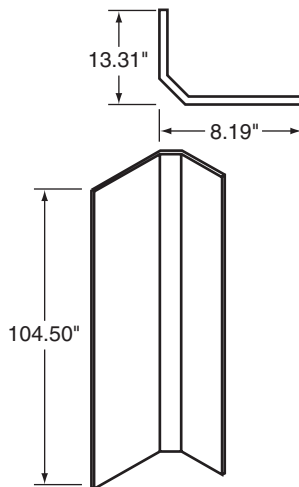
Stoughton Number
STRAA63C72822221

Picture
Not
Available



7" RADIUS PANEL, BARE, 105.5"

Stoughton Number
STRAA63C73331601



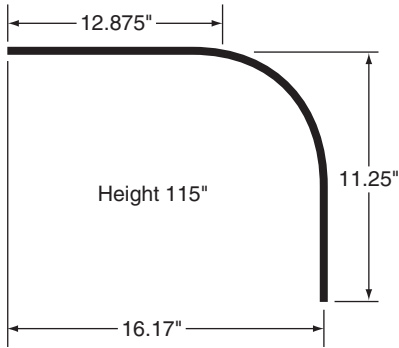
RADIUS PANEL, BEVEL, PPW, 104.5"

Stoughton Number
STRAA63C74414903

10" RADIUS PANEL, MILL FINISH

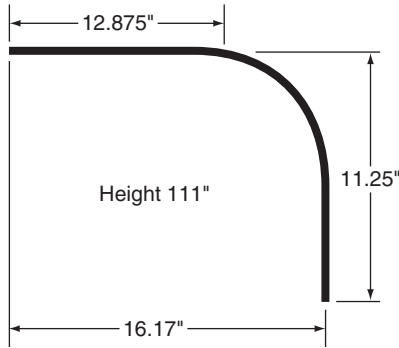
Stoughton Number
STRAA63C-UNIVRSL

CORNER PANELS Trailmobile



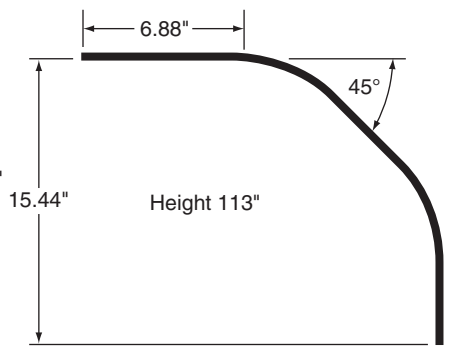
RADIUS PANEL, TM RP102K-PPW

Stoughton Number
TMRP102K-PPW



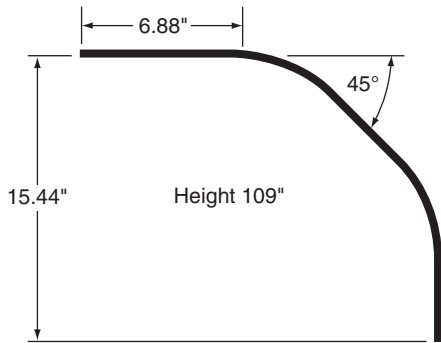
5.75" RADIUS PANEL, SS, 111"

Stoughton Number
TMRP102-SST



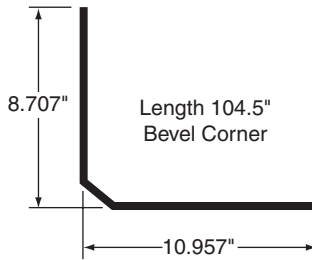
RADIUS PANEL, ALUM, PPW, 113" TM

Stoughton Number
TMRP-881-K-PPW



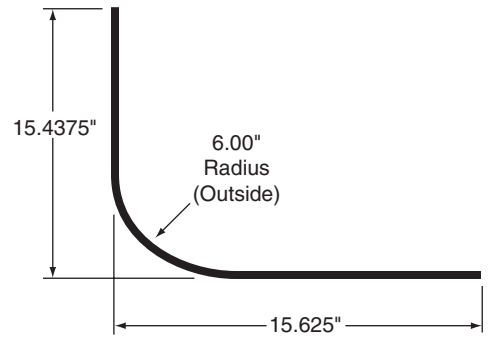
RADIUS PANEL, TM RP102K-PPW

Stoughton Number
TMRP-881-SST



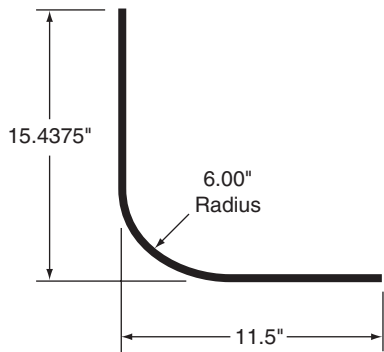
5.75" RADIUS PANEL, PPW, 111"

Stoughton Number
TMRP-883-K-PPW



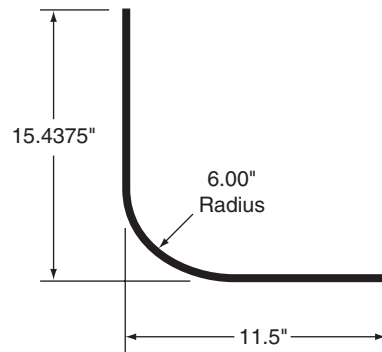
6" RADIUS PANEL W/PVC, SS

Stoughton Number
TMRP-883-K-SST



6" RADIUS PANEL, TRAILMOBILE

Stoughton Number
TMRP-958-K-PPW



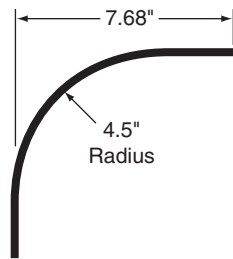
6" RADIUS PANEL W/PVC, SS, 111.5"

Stoughton Number
TMRP-958-SST

CORNER PANELS

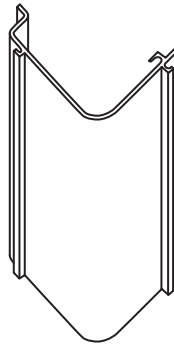
Utility

Vanguard Trailer



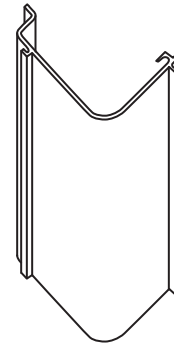
CORNER RADIUS

Stoughton Number
VAN-FWP00012



CORNER PANEL, SS W/PVC, 116.125"

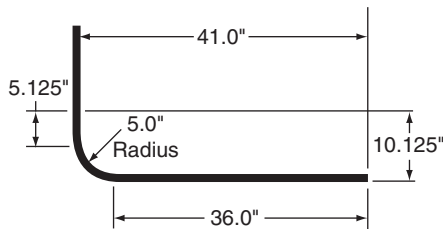
Stoughton Number
UT-03-2500-0-064



CORNER PANEL, SS W/PVC, 116"

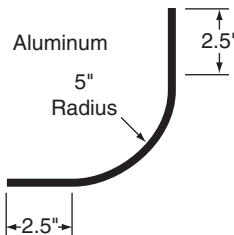
Stoughton Number
UT-03-2500-0-098

Wabash



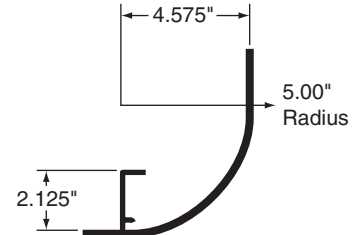
CORNER PANEL 110" PVC COATED, PPW

Stoughton Number
WAB-01107082



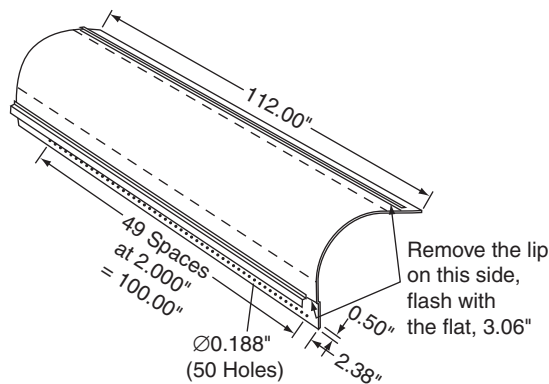
CORNER PANEL

Stoughton Number
WAB-E1761098



CORNER PANEL 120"ALUM

Stoughton Number
WAB-E6141200

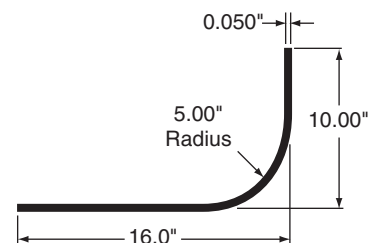


CORNER RADIUS, RS

Stoughton Number
WAB-04A02093-04

CORNER RADIUS, CS

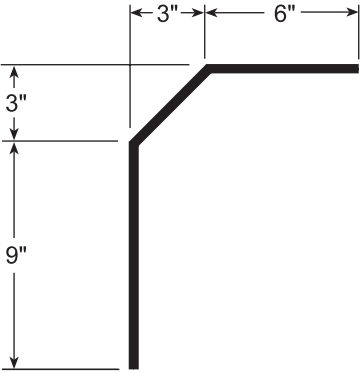
Stoughton Number
WAB-04A02094-04



CORNER PANEL

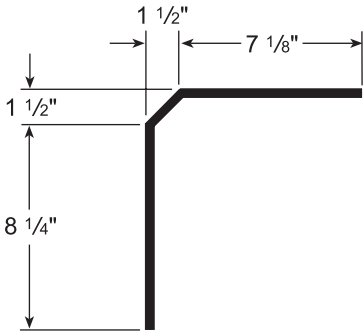
Stoughton Number
WAB-040026341202

CORNER LINERS Stoughton

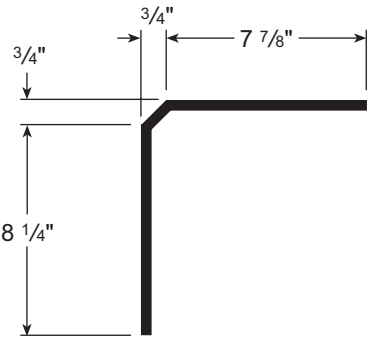


Stoughton Number	Length	Material
01 08525 XXX 00	107 5/8"	.063 Galvanized Steel

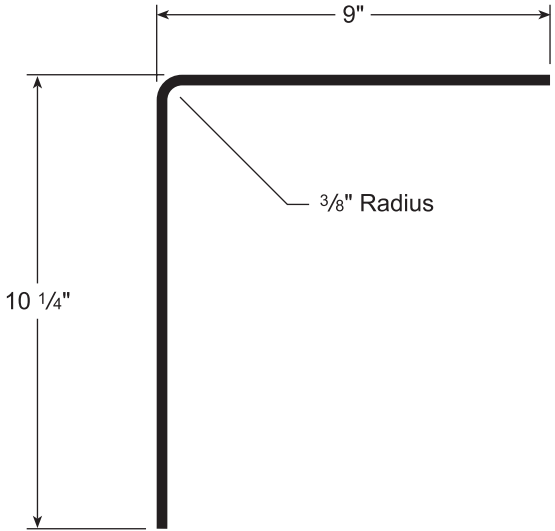
Replaces 01 10794 006 00



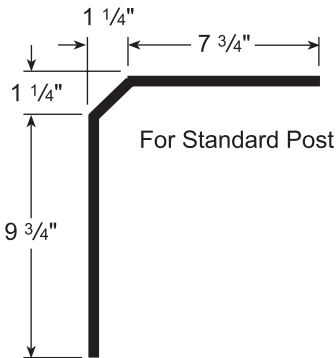
Stoughton Number	Length	Material
01 09920 XXX 00	107 3/8"	.063 Galvanized Steel



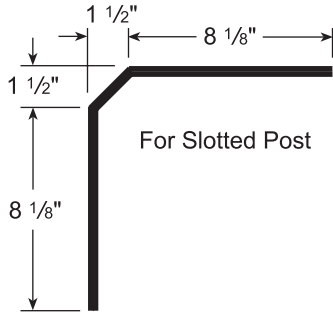
Stoughton Number	Length	Material
01 11010 006 00	107 3/8"	.063 Galvanized Steel



Stoughton Number	Length	Material
01 11601 002 00	107 5/8"	.063 Galvanized Steel



Stoughton Number	Length	Material
01 12997 006 00	107 3/8"	.063 Galvanized Steel

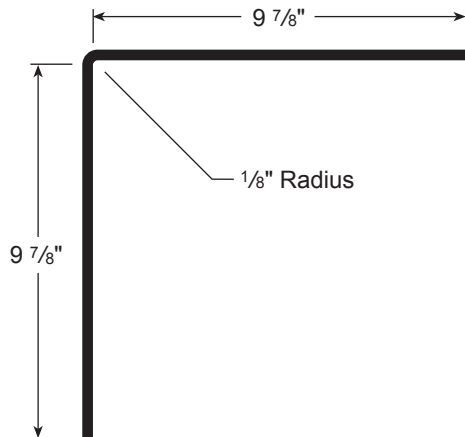


Stoughton Number	Length	Material
01 12998 006 00	107 3/8"	.063 Galvanized Steel

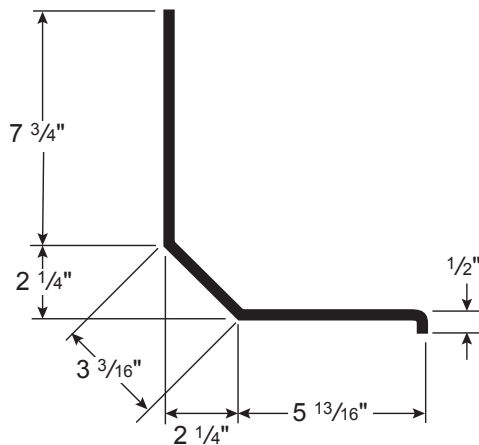
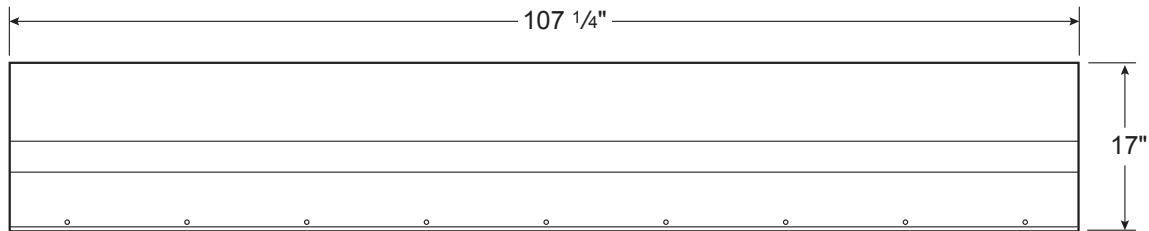
Replaces 01 12999 000 00

CORNER LINERS

Stoughton



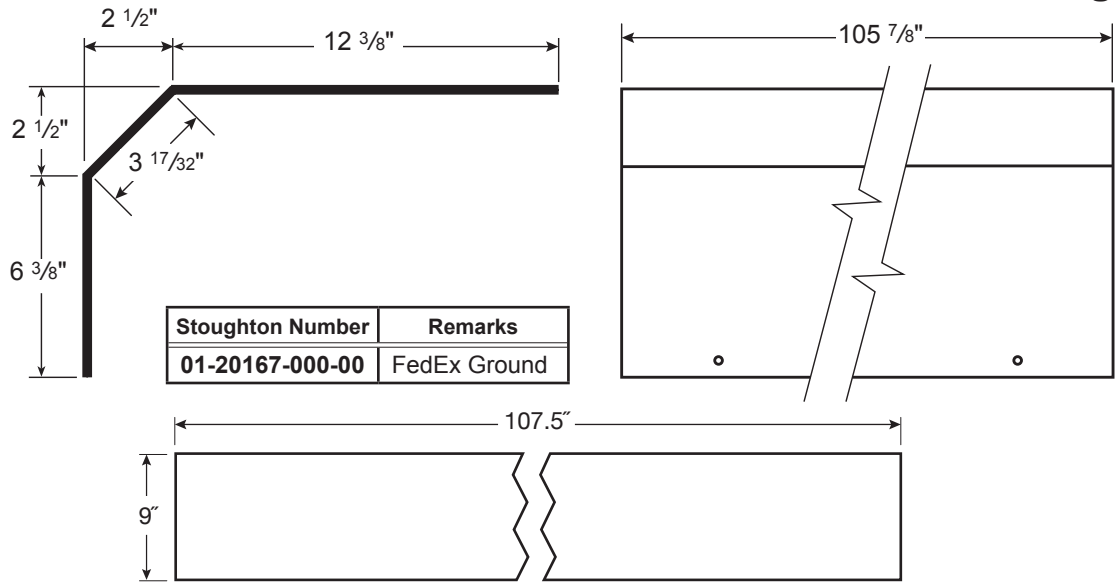
Stoughton Number	Length	Material
01 13685 007 00	110 $\frac{1}{8}$ "	.063 Galvanized Steel



Stoughton Number	Model	Body Height Range	Material
01 19798 X06 00	AVXW	116 $\frac{1}{2}$ " - 119 $\frac{1}{16}$ "	Galvanized Steel

Specify Roadside or Curbside.

CORNER LINERS Stoughton

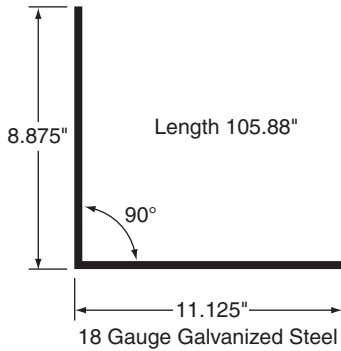


Stoughton Number	Remarks
01-20167-000-00	FedEx Ground

Z PLATE

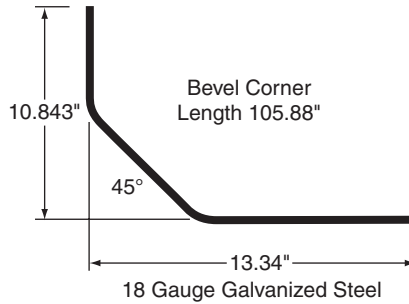
Stoughton Number	Material
01-21144-006-00	Aluminum

Frehauf



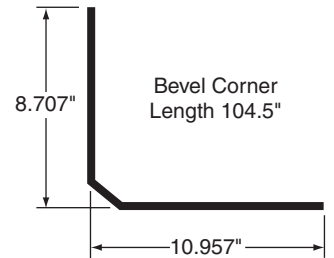
CORNER POST LINER, GALV, 105.88"

Stoughton Number
FRU#WCF-9230-1



CORNER POST LINER, WHT, GALV

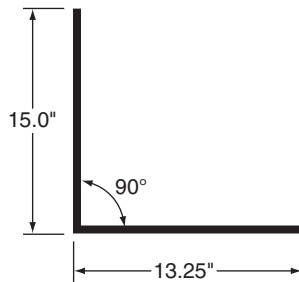
Stoughton Number
FRU#WCD1971-6



CORNER LINER, FRUEHAUF, GALV

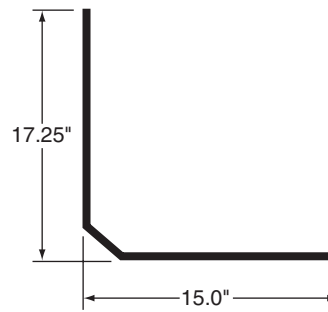
Stoughton Number
FRU#WCD-3596-11

Hyundai



CORNER LINER

Stoughton Number
HY#2000-0335

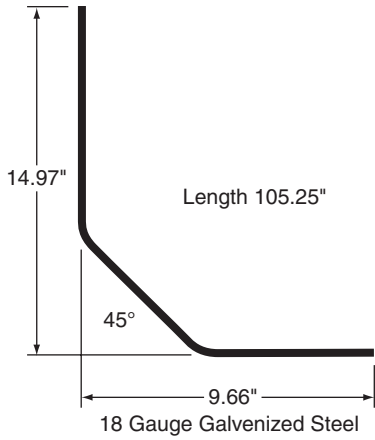


CORNER LINER

Stoughton Number
HY#2000-5584

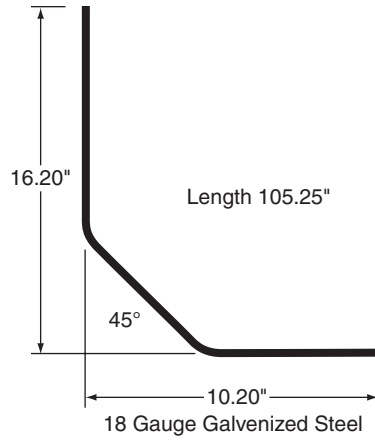
CORNER LINERS

Strick



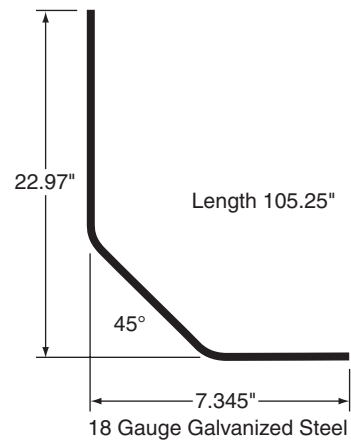
CORNER LINER, G90, WHT, GALV

Stoughton Number
STR#06539



CORNER LINER, G90, WHT, GALV

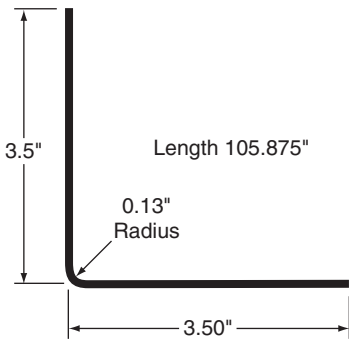
Stoughton Number
STR#06782



CORNER LINER, G90, WHT, GALV

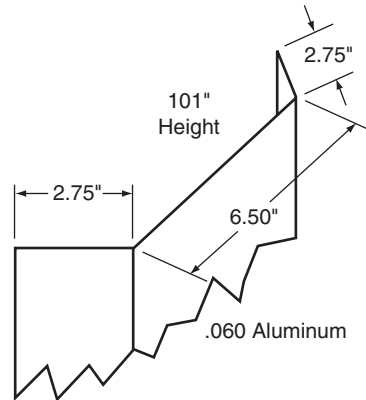
Stoughton Number
STR#45309

Trailmobile



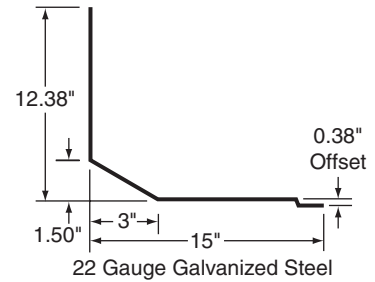
CORNER LINER, WHT, 105.875"

Stoughton Number
TM508-15-216-22



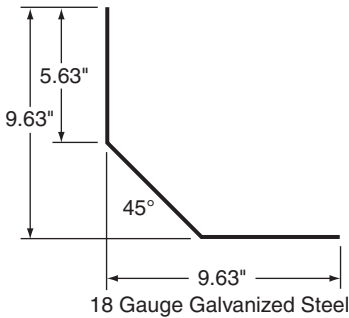
INNER RADIUS, REEFER, WHT, 101"

Stoughton Number
TM508-20-29-31



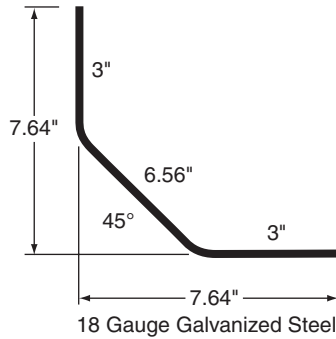
FRONT CORNER LINER, 106", GALV

Stoughton Number
TM700-519-1



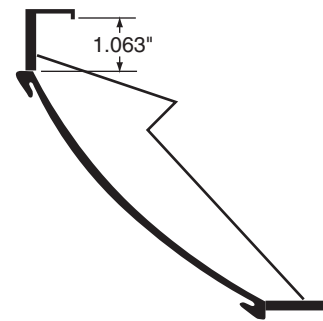
CORNER LINER, G90 GALV, MILL

Stoughton Number
TM9513-1-1458A



CORNER LINER, G90 GALV, MILL

Stoughton Number
TM9519-1-507-E9

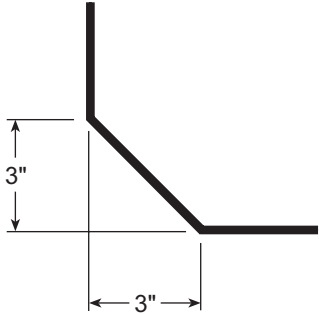


CORNER RADIUS, COCA COLA RED

Stoughton Number
TMRP-205-CCR

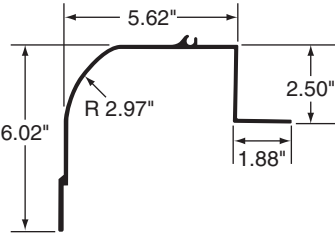
CORNER POSTS

Stoughton



Stoughton Number	Length	Material
01 08808 XXX 00	89 3/4"	Aluminum

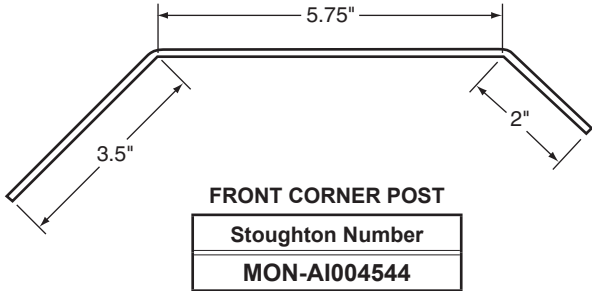
Great Dane



CORNER POST, ALUM, 112.5"

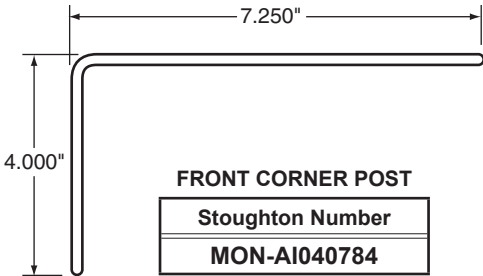
Stoughton Number
GD#60424104

Monon



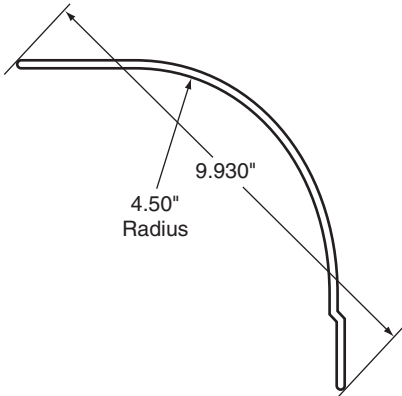
FRONT CORNER POST

Stoughton Number
MON-AI004544



FRONT CORNER POST

Stoughton Number
MON-AI040784

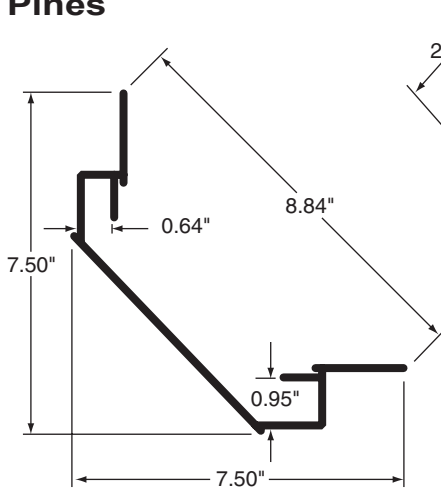


FRONT CORNER POST

Stoughton Number
MON-AX054344

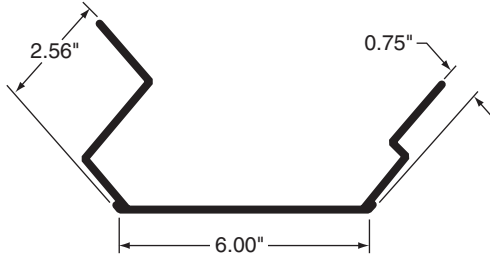
CORNER POSTS

Pines



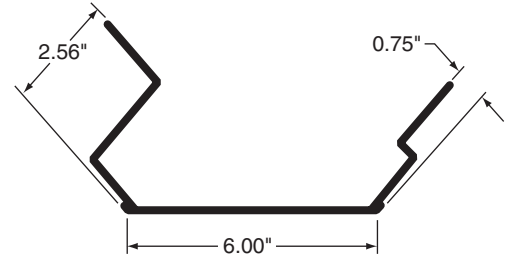
FRONT CORNER POST

Stoughton Number
PINE AE333011031



CORNER POST, 110.31", MILL

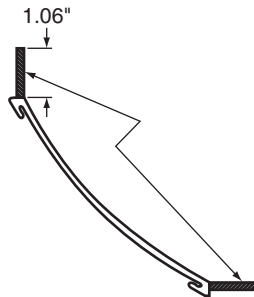
Stoughton Number
PINE AE333201030



CORNER POST, 110.31", ALUM

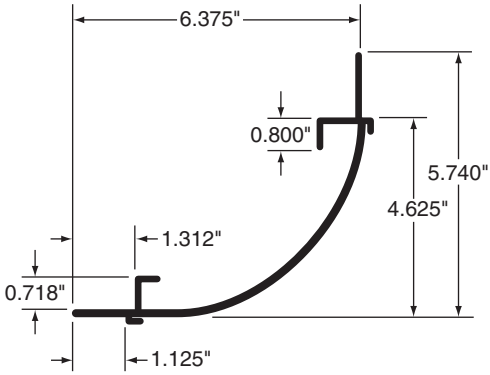
Stoughton Number
PINE AE333201031

Trailmobile



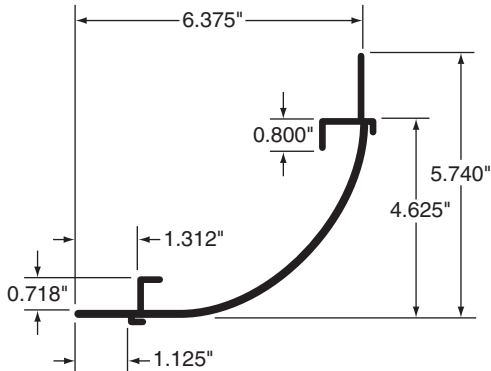
CORNER POST, 116.13", ALUM

Stoughton Number
TMRP115-MFA



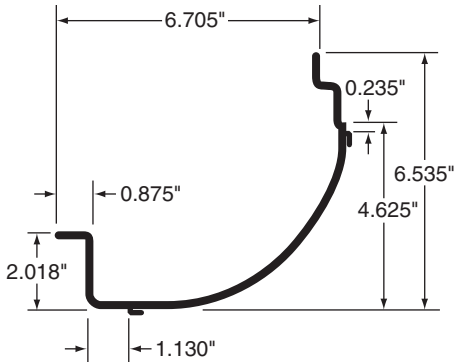
CORNER POST, EXTRU, 116.5" L, PPW

Stoughton Number
UT-01-6500-0-155



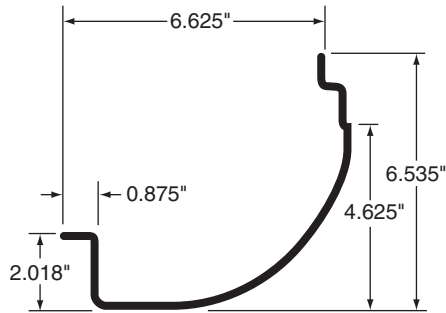
CORNER POST, EXTRU, 116.5" L, MILL

Stoughton Number
UT-01-6500-156



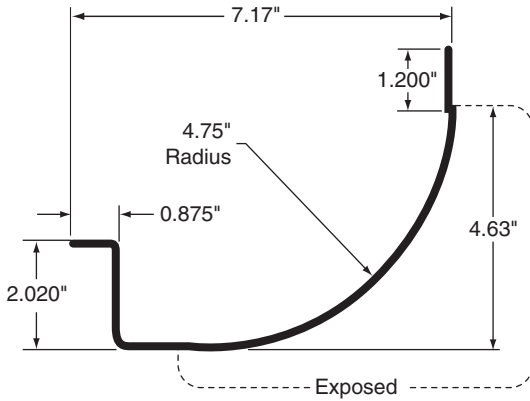
CORNER POST, 120" L

Stoughton Number
UT-01-6500-159



CORNER POST, EXTRU, 120" L, WHT

Stoughton Number
UT-01-6500-160

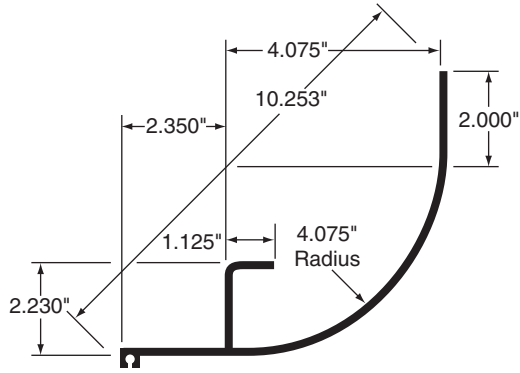


CORNER POST, MILL, 120"

Stoughton Number
UT-01-6500-164

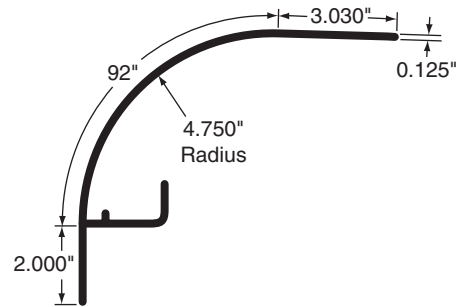
CORNER POSTS

Wabash



5" CORNER POST, EXTRU, 118" L, ALUM

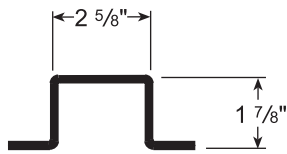
Stoughton Number
WAB-E0081200



CORNER POST

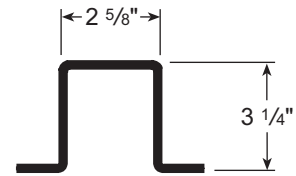
Stoughton Number
WAB-E8351200

FRONT WALL POSTS Stoughton

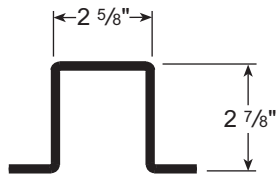


Stoughton Number	Length	Material
01 08034 XXX 00	111 3/4"	Galv. Steel

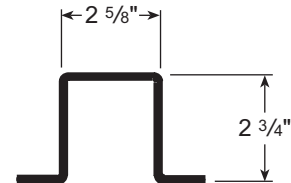
Replaces 01 04993 000 00, 01 06360 000 00 and 01 06668 000 00



Stoughton Number	Length	Material
01 10034 XXX 00	107 3/4"	Steel
01 10034 001 00	109 3/4"	Steel-Punched

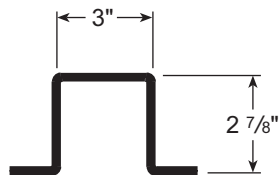


Stoughton Number	Length	Material
01 09031 XXX 00	107 3/4"	Steel

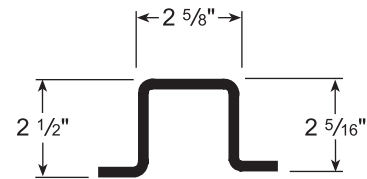


CONTAINER

Stoughton Number	Length	Material
01 09848 XXX 00	105 1/4"	Steel

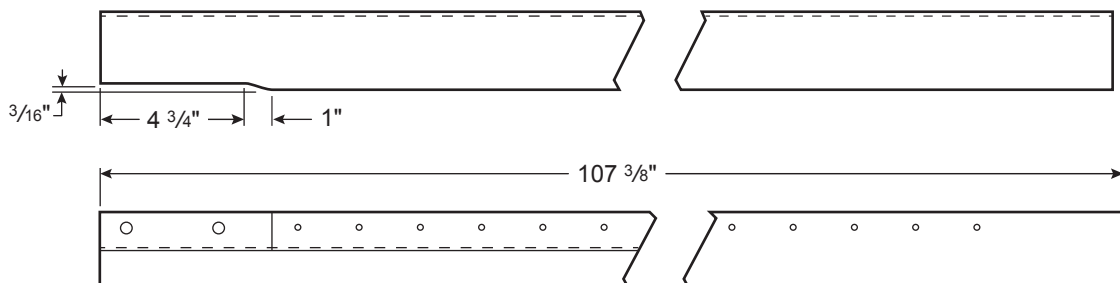


Stoughton Number	Length	Material
01 04109 XXX 00	111 1/8"	Steel

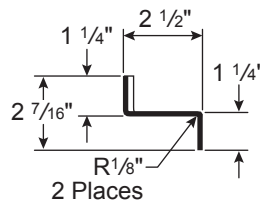


UNPUNCHED OUTER PV

Stoughton Number	Length	Material
01 14708 XXX 00	109 13/16"	Galv. Steel



Roadside Shown
Curbside Opposite

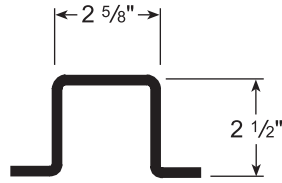


Z PLATE POSTS

Stoughton Number	Remarks
01 20835 106 00	Roadside
01 20835 206 00	Curbside

FRONT WALL POSTS

Stoughton

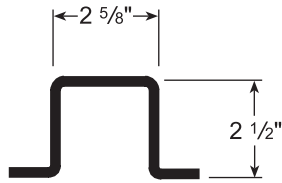
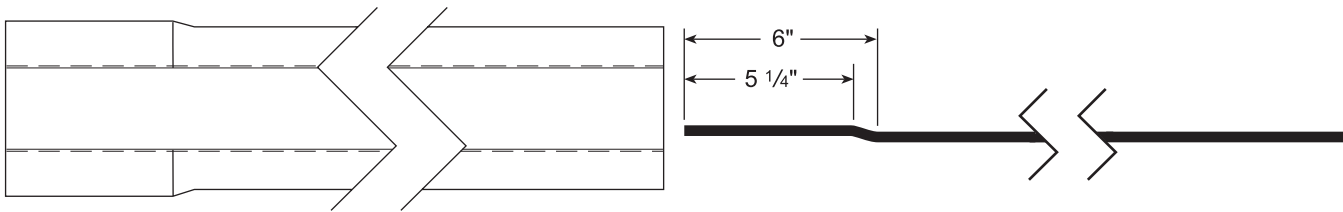


Stoughton Number	Length	Material
03 14275 109 81	109 7/8"	Galv. Steel

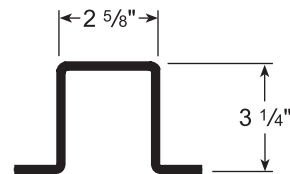
Replaces 01 09918 000 00, same as 01 14707 000 00

Cross-section

Side View



OFFSET BOTTOM



OFFSET BOTTOM

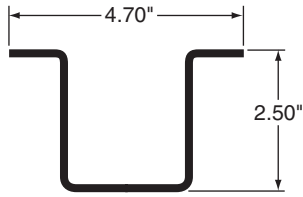
Stoughton Number	Length	Material	Remarks
01 12992 006 00	107 3/8"	Galv. Steel	Punched
01 19981 006 00	107 3/8"	Galv. Steel	Punched
03 12991 110 00	110"	Galv. Steel	Unpunched

Stoughton Number	Length	Material	Remarks
01 19643 000 00	106 3/4"	Galv. Steel	Punched
03 15456 107 38	107 3/8"	Galv. Steel	Unpunched
03 19516 106 75	106 3/4"	Galv. Steel	Unpunched

Call with trailer VIN (Serial Number) for availability of "punched" front wall posts

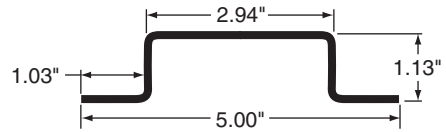
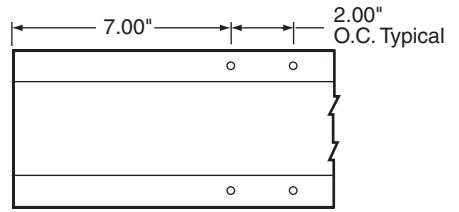
FRONT WALL POSTS Lufkin

Great Dane



NOSE POST, STEEL, UNPUNCHED

Stoughton Number	Length
GD#09432-P	110'
GD#09432	116'



NOSE POST, GALV, 107.188"

Stoughton Number
LUF-E7087414

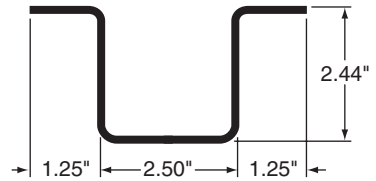
Manac



107.75" NOSE POST, STEEL

Stoughton Number
MANAC#501-4085

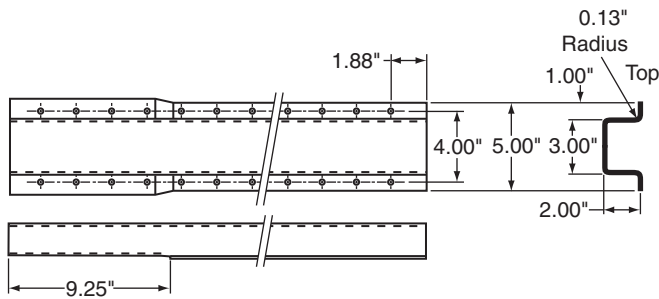
Trailmobile



NOSE POST, 116", STEEL, PUNCHED

Stoughton Number
TM90-4-2400P0117

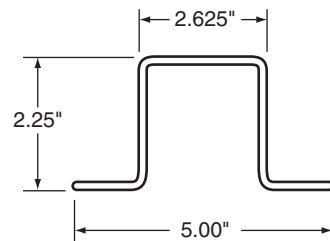
Utility



NOSE POST, STEEL, UNPUNCHED, 116"

Stoughton Number
UT-03-6512-0-042

Wabash



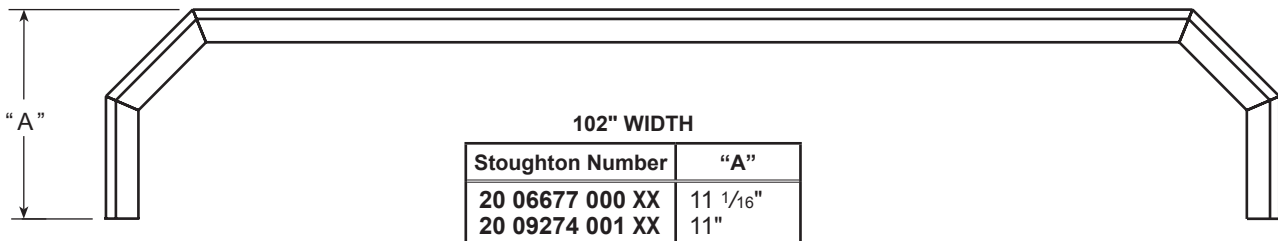
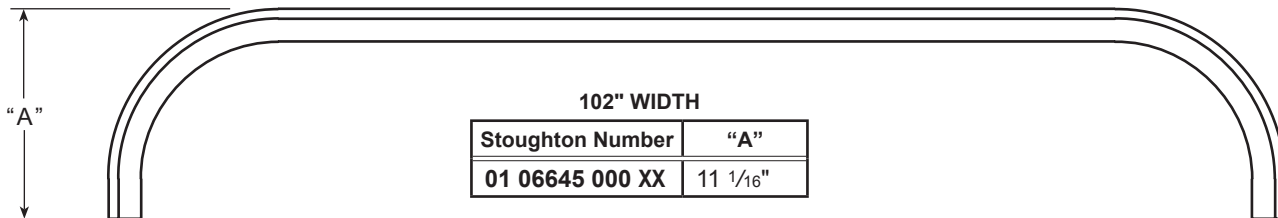
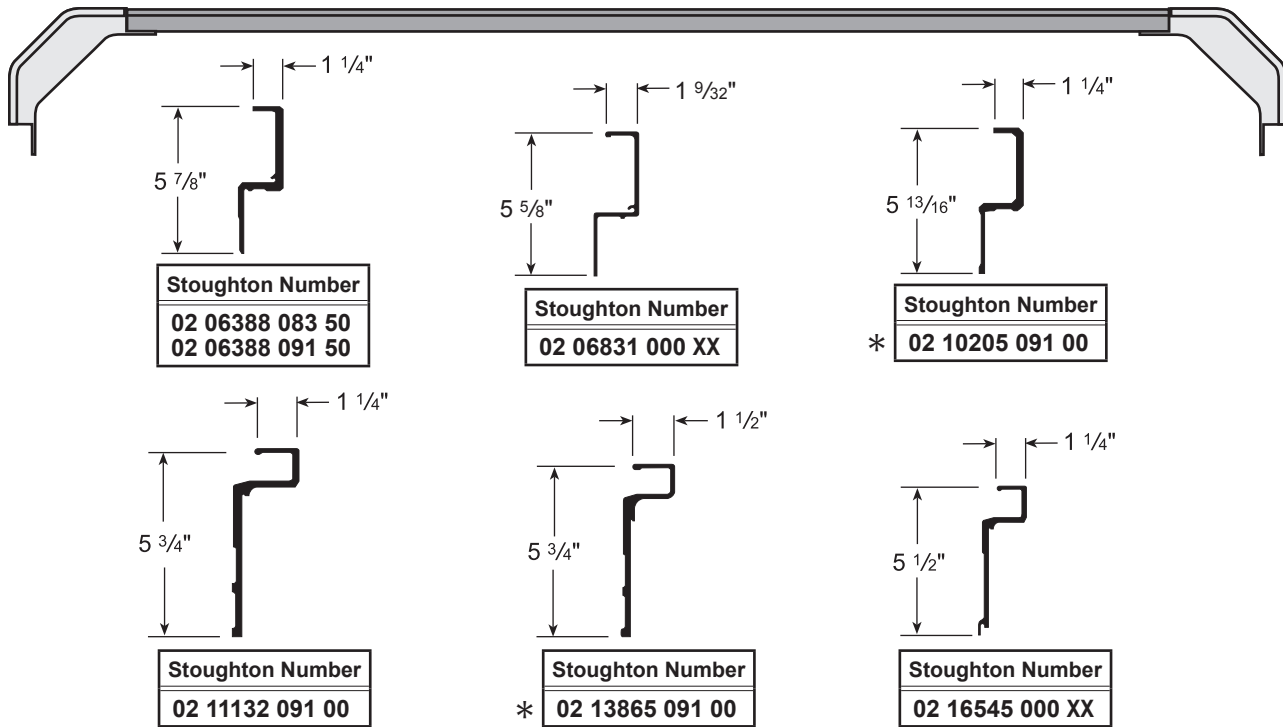
NOSE POST, STEEL, UNPUNCHED

Stoughton Number
WAB-04S00020

NOSE RAILS

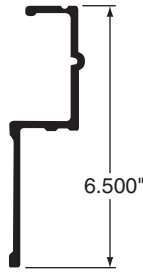
Stoughton

Example Extruded Nose Rail with Corner Castings



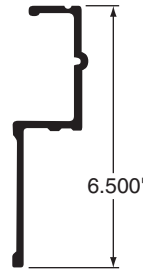
* Refers to Container

NOSE RAILS Dorsey



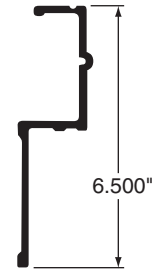
NOSE RAIL, 10" RADIUS

Stoughton Number
DOR-251047902



NOSE RAIL, 10" RADIUS

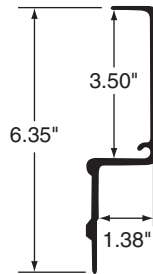
Stoughton Number
DOR-251122102



NOSE RAIL, 6" RADIUS

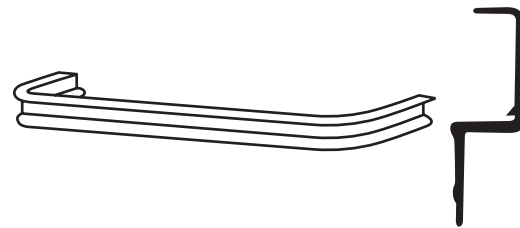
Stoughton Number
DOR-251128702

Fruehauf



102" NOSE RAIL

Stoughton Number
FRU#WCF3721-1



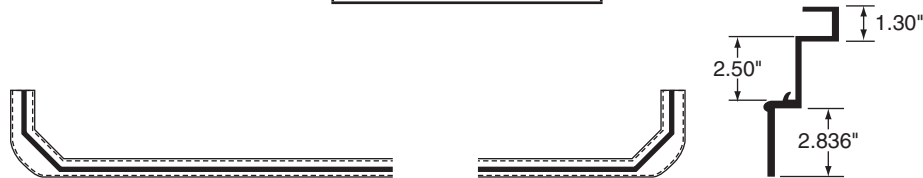
102" NOSE RAIL

Stoughton Number
FRU#WCF3959-1



FRONT TOP RAIL, UNPUNCHED, 102"

Stoughton Number
FRU#WCF5903-901

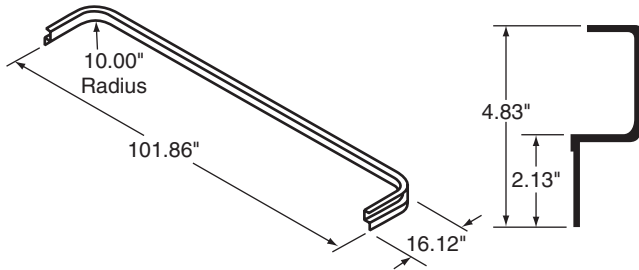


NOSE RAIL, WELDED HEADER

Stoughton Number
FRU#WCF9003-2

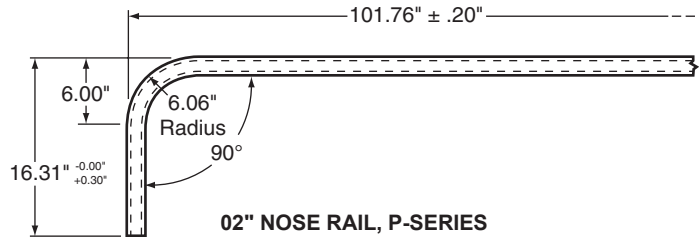
NOSE RAILS

Great Dane



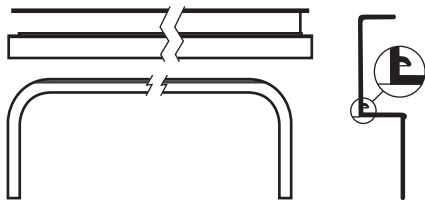
10" NOSE RAIL, RADIUS 102"

Stoughton Number
GD#76340



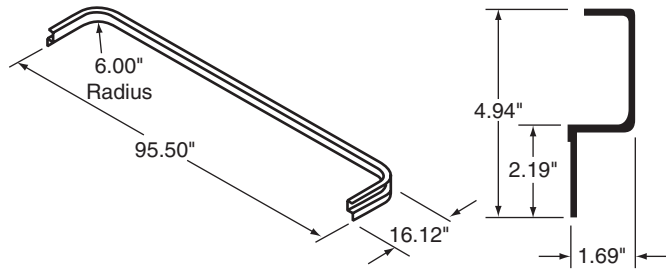
02" NOSE RAIL, P-SERIES

Stoughton Number
GD#41200891



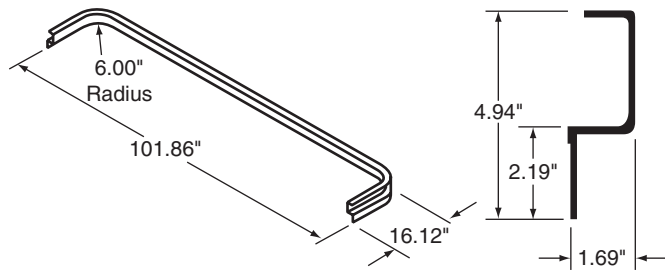
NOSE RAIL, 6" RADIUS 101.75"

Stoughton Number
GD#41201967



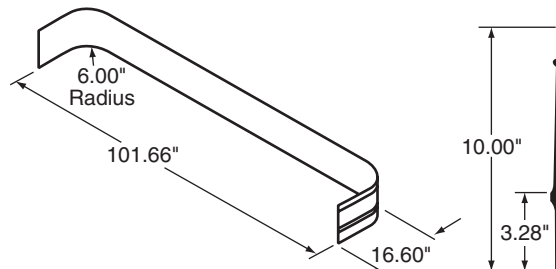
NOSE RAIL, 96" WIDE

Stoughton Number
GD#41203162



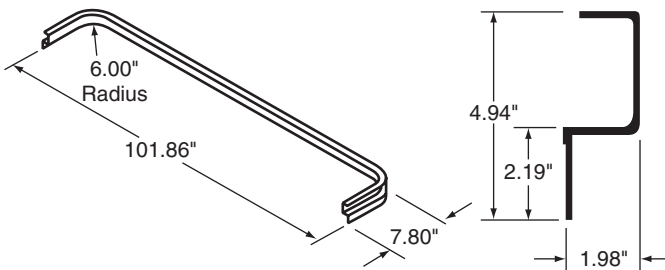
NOSE RAIL, 102" WIDE

Stoughton Number
GD#41203163



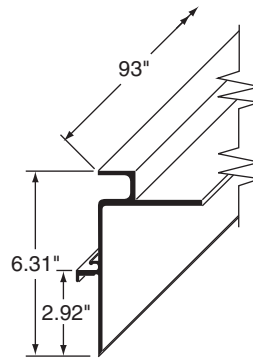
FRONT BOTTOM RAIL, ALUM, 102" WIDE

Stoughton Number
GD#41203178



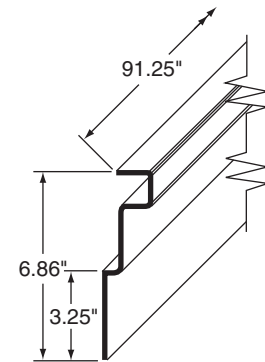
NOSE RAIL, 102" WIDE

Stoughton Number
GD#41203196



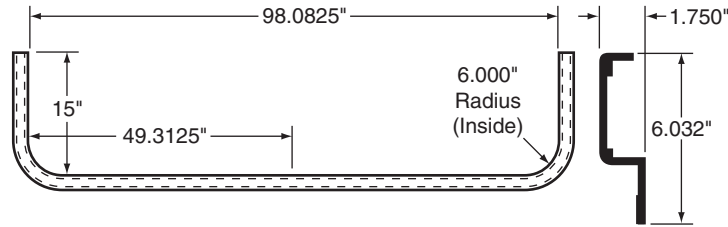
NOSE RAIL, 93"

Stoughton Number
GD#4300001



NOSE RAIL, 91.25"

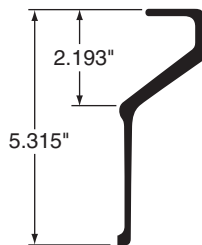
Stoughton Number
GD#60311601



NOSE RAIL, 6" RADIUS, 102"

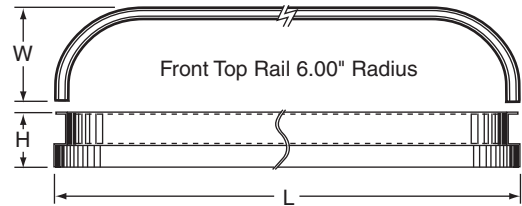
Stoughton Number
GD#69103212

Hyundai



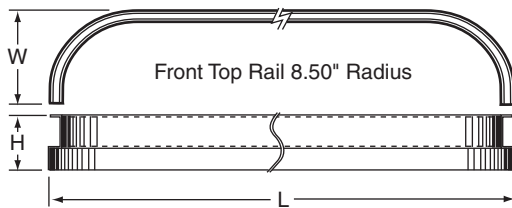
NOSE RAIL

Stoughton Number
HY#1000-7412



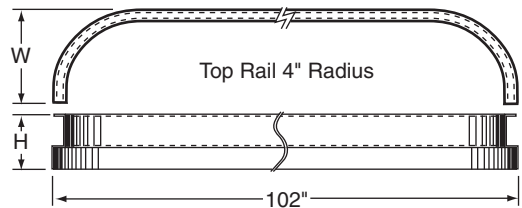
NOSE RAIL

Stoughton Number
HY#1000-3146



NOSE RAIL

Stoughton Number
HY#1000-5098

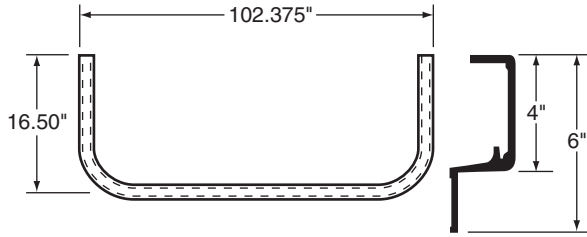


NOSE RAIL, 4" RADIUS

Stoughton Number
HY#1001-6265

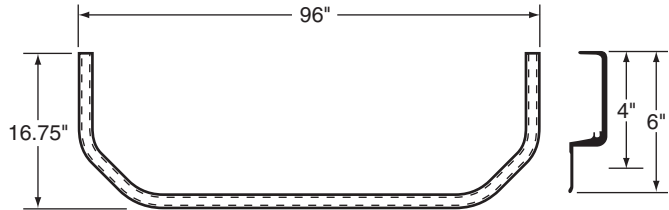
NOSE RAILS

Trailmobile



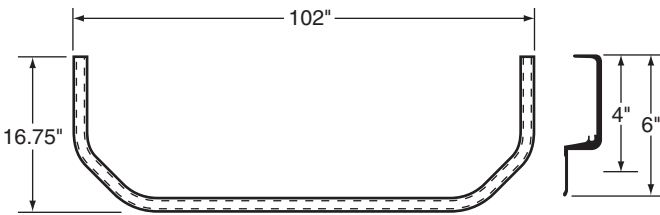
6" NOSE RAIL, ALUM, 102-3/8"

Stoughton Number
TM511-1-130B



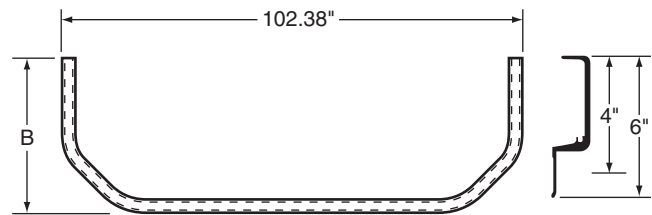
NOSE RAIL, O-MODEL, 96" LONG

Stoughton Number
TM511-1-109-2



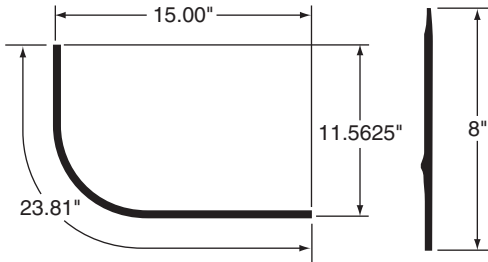
NOSE RAIL, O-MODEL

Stoughton Number
TM511-1-109-2-1



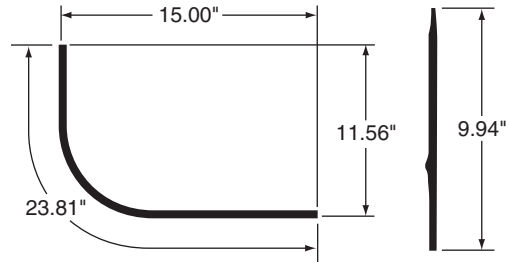
6" NOSE RAIL, TYPE O-MODEL, ALUM

Stoughton Number
TM511-1-109-2-2



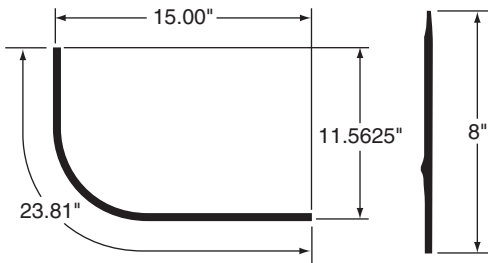
CORNER RAIL, LOWER LEFT HAND

Stoughton Number
TM511-1-137L-B-A



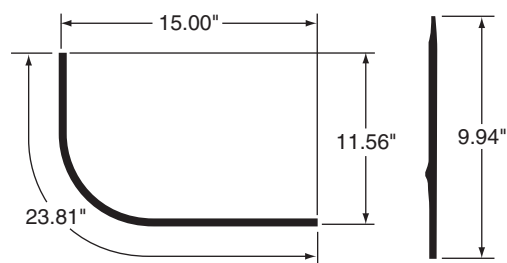
CORNER RAIL, LOWER LEFT HAND

Stoughton Number
TM511-1-137L-B-B



CORNER RAIL, LOWER RIGHT HAND

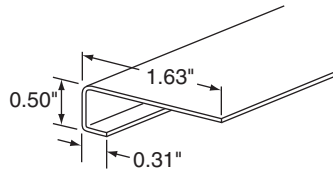
Stoughton Number
TM511-1-137R-B-A



CORNER RAIL, LOWER RIGHT HAND

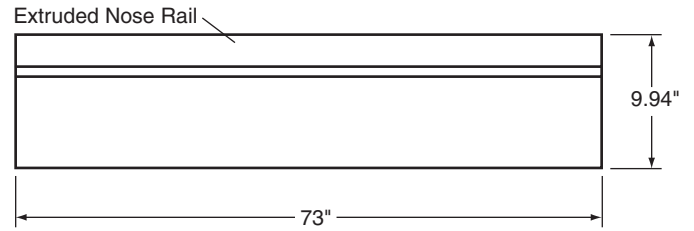
Stoughton Number
TM511-1-137R-B-B

NOSE RAILS Trailmobile



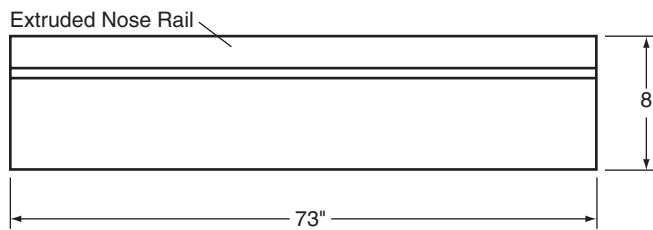
NOSE RAIL, ALUM, REINF, 126"

Stoughton Number
TM90-4-1563-0126



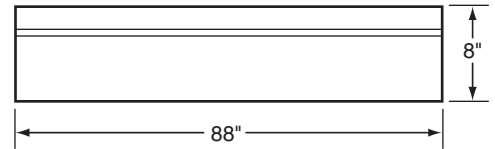
LOWER FRONT RAIL, 73"

Stoughton Number
TM90-4-2313-0-73



LOWER FRONT RAIL, 73"

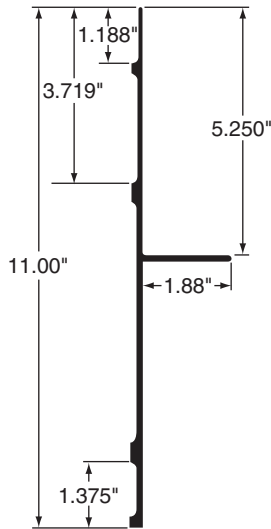
Stoughton Number
TM90-4-2353-0-73



LOWER FRONT RAIL, 88"

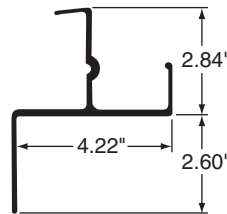
Stoughton Number
TM90-4-2353-0-88

Utility



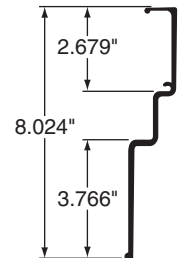
LOWER NOSE RAIL, 91"

Stoughton Number
UT-01-6650-0-155



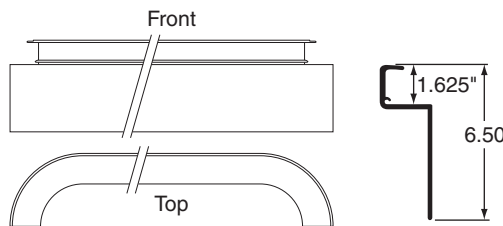
TOP RAIL, FRONT, ALUM, 2000R X 89"

Stoughton Number
UT-01-6650-0-071



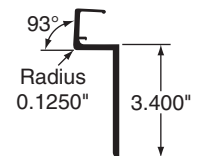
TOP RAIL, FRONT, ALUM, 101-7/8"

Stoughton Number
UT-03-6650-0-310



NOSE RAIL

Stoughton Number
UT-03-6650-0-423

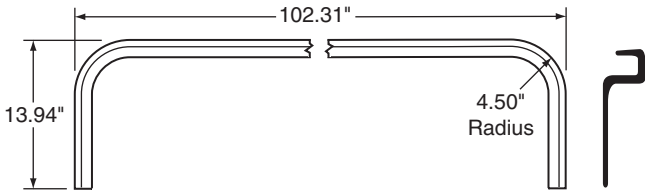


TOP RAIL, FRONT, ALUM, 101-7/8"

Stoughton Number
UT-03-6650-0-510

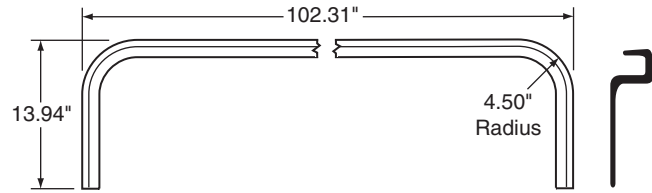
NOSE RAILS

Vanguard Trailers



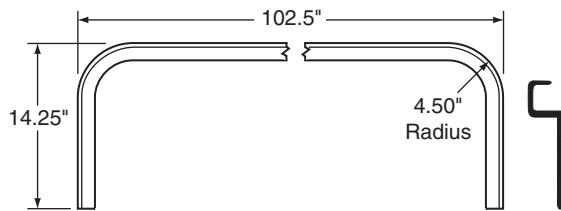
NOSE RAIL, ALUM

Stoughton Number
VAN-FWP00027



NOSE RAIL, ALUM, 102"

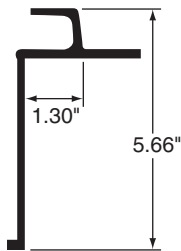
Stoughton Number
VAN-FWP00063



NOSE RAIL, ALUM

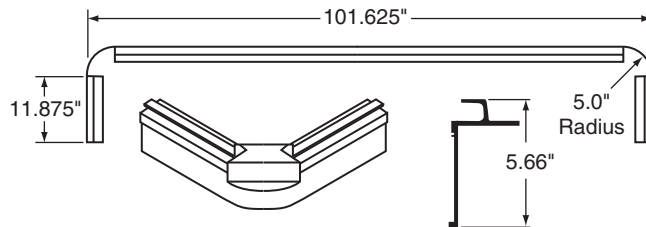
Stoughton Number
VAN-FWP00100

Wabash



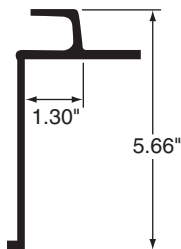
5" TRAILER HEADER, PLATE, 102"

Stoughton Number
WAB-04000001



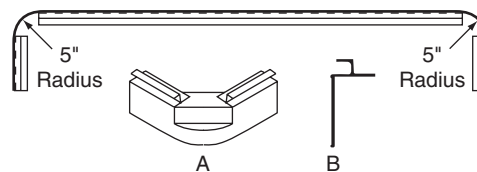
NOSE RAIL

Stoughton Number
WAB-04000015



5" TRAILER HEADER, PLATE, 102"

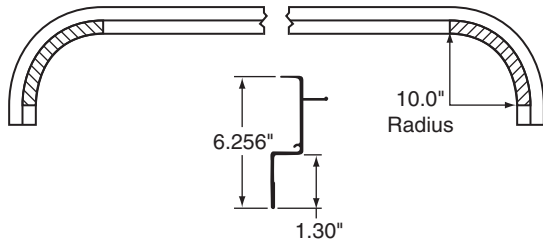
Stoughton Number
WAB-04000072



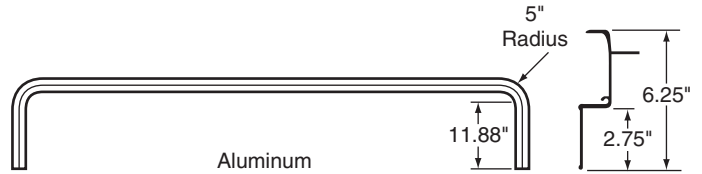
5" TRAILER HEADER, PLATE, 102"

Stoughton Number
WAB-04000595

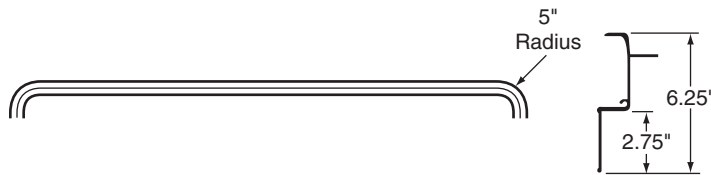
NOSE RAILS Wabash



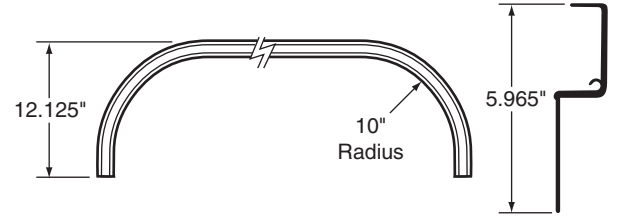
NOSE RAIL, 102"
Stoughton Number
WAB-04A00005



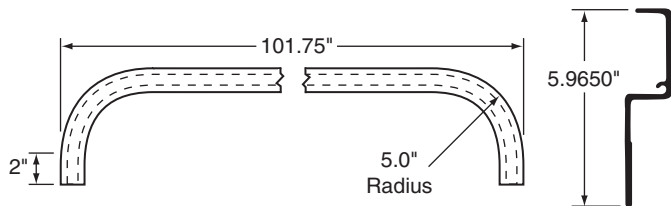
5" NOSE RAIL, ALUM, 102"
Stoughton Number
WAB-04A00211



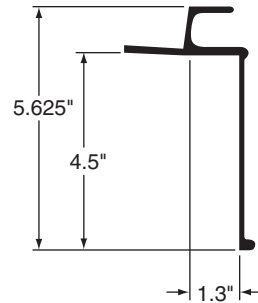
NOSE RAIL, WABASH STYLE, ALUM
Stoughton Number
WAB-04A00218



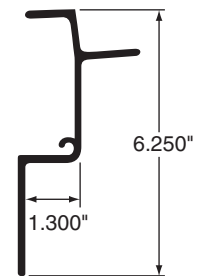
10" NOSE RAIL, R-REEFER, 102"
Stoughton Number
WAB-04A00735



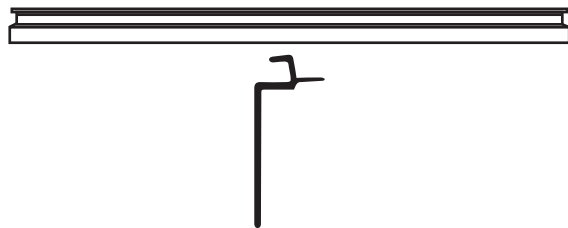
NOSE RAIL, ALUM
Stoughton Number
WAB-04A00800



5" NOSE RAIL, R-PLATE, 102"
Stoughton Number
WAB-04A01826



5" NOSE RAIL, ALUM, 102"
Stoughton Number
WAB-04A02464



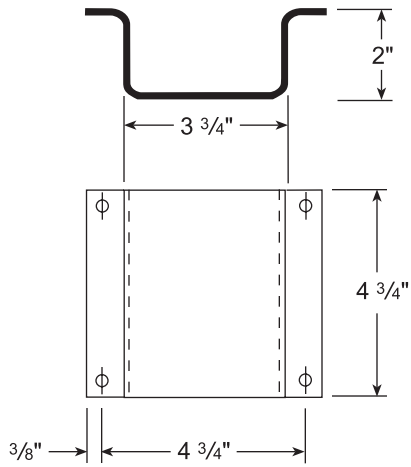
NOSE RAIL, LOWER, UNPUNCHED, 102"
Stoughton Number
WAB-04A02474

NOSE RAIL, LOWER, UNPUNCHED, 102"

Stoughton Number
WAB-04A02521

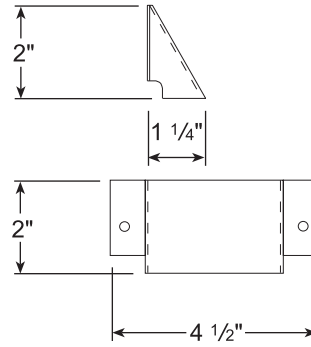
FRONT WALL COVERS

Stoughton



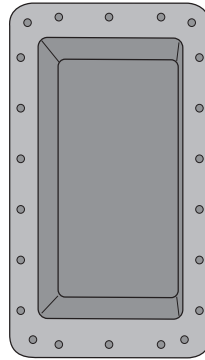
AIRLINE COVER, FRONT WALL

Stoughton Number
01 12993 000 00



WIRE COVER, FRONT WALL

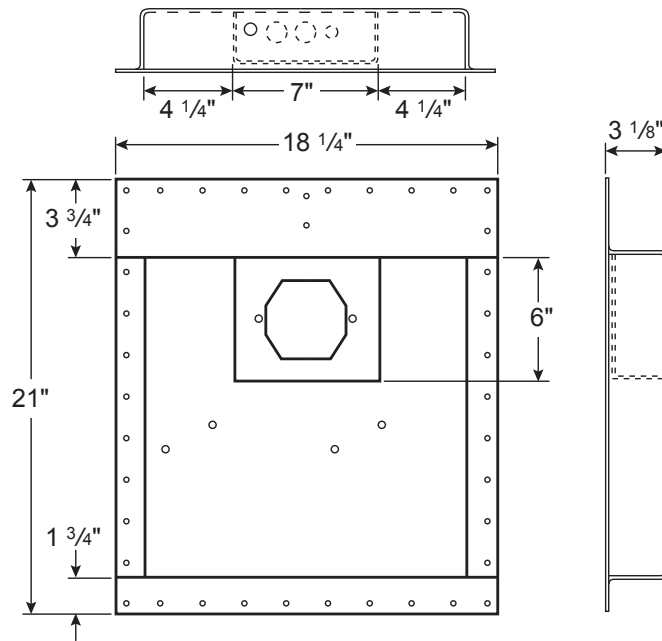
Stoughton Number
01 11610 000 00



RECESS PANS

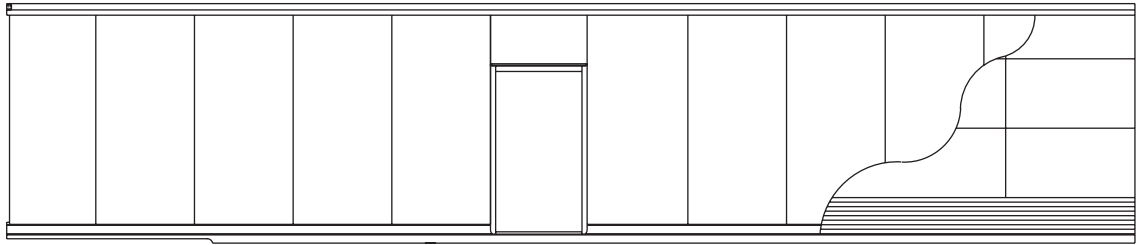
Stoughton Number	Depth	Cutout Size	Overall Size	Material
01 15792 000 00	1 3/16"	13" x 21"	15" x 23"	Aluminum
P-80-197-8	2 1/4"	11 3/4" x 17 3/4"	15" x 21"	Aluminum

See page 14-9 for more options



NOSE BOX PAN

Stoughton Number	Remarks
20 03640 000 00	UPS 28' Only



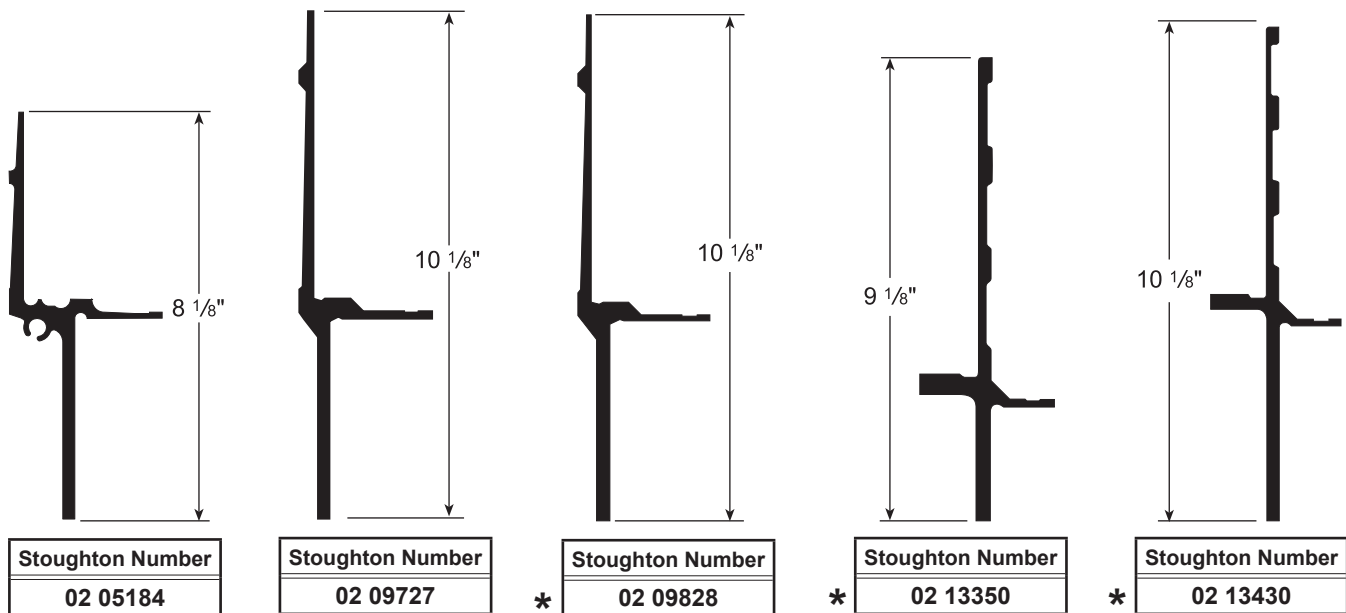
Lower Rails – Extruded Aluminum.....	2-1
Stoughton.....	2-1
Lower Rails.....	2-4
Dorsey.....	2-4
Fruehauf.....	2-4
Hyundai.....	2-6
Monon.....	2-6
Pines.....	2-7
Strick.....	2-7
Trailmobile.....	2-7
Utility.....	2-8
Wabash.....	2-8
Upper Rails – Extruded Aluminum.....	2-10
Stoughton.....	2-10
Upper Rails.....	2-11
Dorsey.....	2-11
Great Dane.....	2-11
Great Dane.....	2-12
Hyundai.....	2-12
Monon.....	2-13
Pines.....	2-13
Strick.....	2-13
Trailmobile.....	2-14
Utility.....	2-14
Vanguard Trailers.....	2-14
Wabash.....	2-15
Splices – Lower Rails.....	2-16
Stoughton.....	2-16
Splices – Upper Rails.....	2-17
Stoughton.....	2-17
Lift Pads.....	2-17
Stoughton.....	2-17
Upper Rail Guards.....	2-18
Stoughton.....	2-18
Sidewall Extrusions.....	2-18
Stoughton.....	2-18

Dorsey.....	2-18
Sidewall Posts – Extruded Aluminum.....	2-19
Stoughton.....	2-19
Great Dane	2-19
Wabash.....	2-19
Sidewall Posts – Rolled Steel.....	2-20
Stoughton – Rolled Steel	2-20
Sidewall Posts – Logistics Posts	2-22
Stoughton.....	2-22
Plate Van Splice Plates	2-23
Stoughton.....	2-23
Sidewall Posts	2-24
Dorsey.....	2-24
Fruehauf.....	2-24
Great Dane	2-24
Hyundai.....	2-26
Manac	2-27
Monon	2-27
Pines	2-27
Strick.....	2-28
Trailmobile.....	2-29
Utility	2-31
Wabash.....	2-33
Nose Panels	2-35
Stoughton.....	2-35
Sidewall Panels	2-35
Stoughton.....	2-35
Dorsey.....	2-37
Fruehauf.....	2-38
Great Dane	2-38
Manac	2-40
Trailmobile.....	2-41
Utility	2-41
Wabash.....	2-43
Scuff Liners and Wall Liners.....	2-44
Stoughton.....	2-44
Miscellaneous.....	2-47
Stoughton.....	2-47

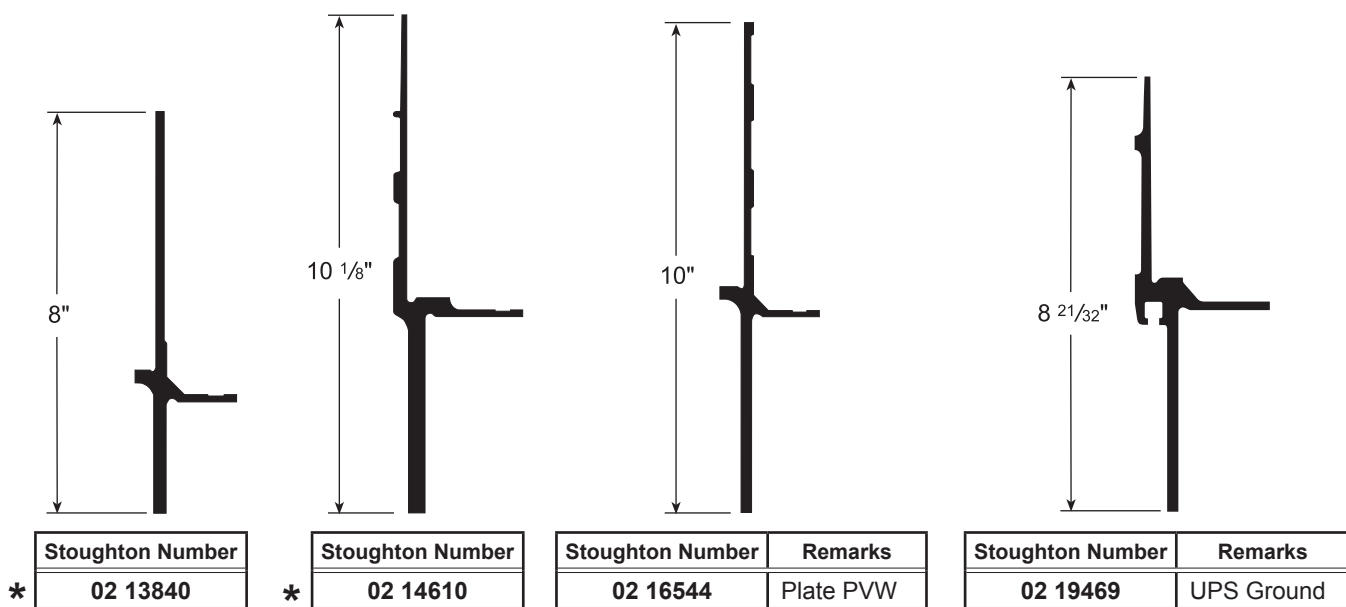
LOWER RAILS – EXTRUDED ALUMINUM

Stoughton

Note: Upper and Lower Rails are NOT available punched.
 The last five digits in the part number indicates length in inches.
 For example:
 000-12 = cut per foot
 624-12 = 624 1/8"



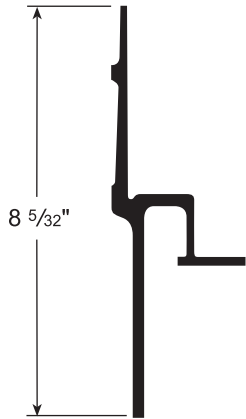
* Container only
 Replaces 02 11921



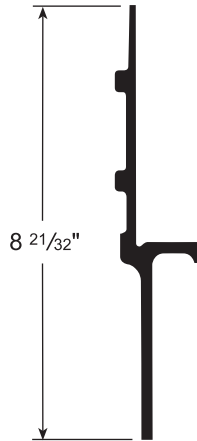
* Refers to Container

LOWER RAILS – EXTRUDED ALUMINUM

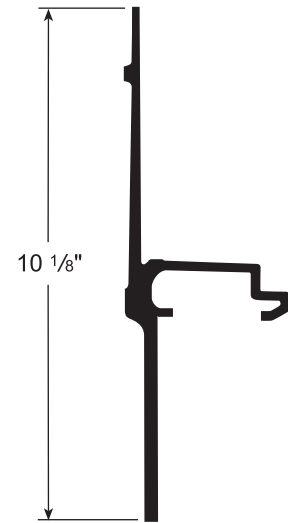
Stoughton



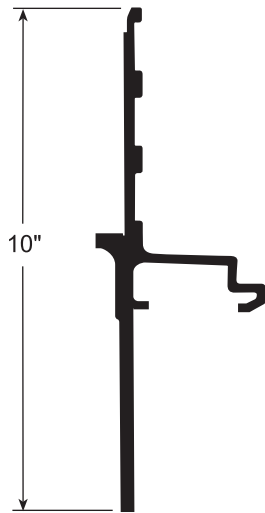
Stoughton Number	Remarks
02 20021	FedEx Ground



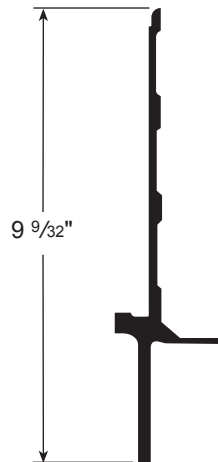
Stoughton Number	Remarks
02 20022	FedEx Ground



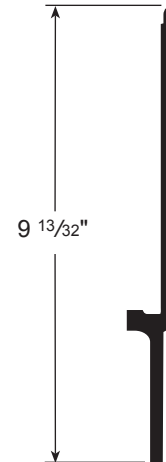
Stoughton Number	Remarks
02 20498	AVW



Stoughton Number	Remarks
02 20572 02-22839 2PVW 2C-PVW	ZPVW - 1st Gen. Z-plate ZGPVW - 2nd Gen Z-plate Tough Plate 3 Piece Bottom Rail



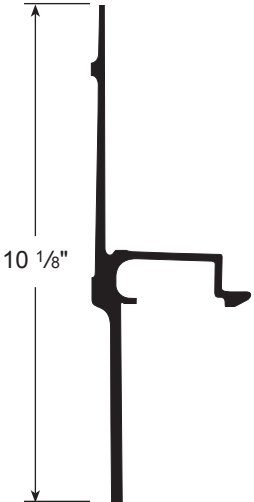
Stoughton Number	Remarks
02 22154	Schneider Container



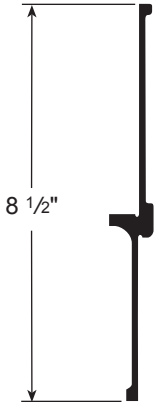
Stoughton Number	Remarks
02 22400	Schneider Container

LOWER RAILS – EXTRUDED ALUMINUM

Stoughton

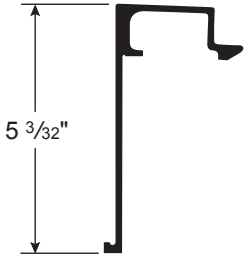


Stoughton Number	Remarks
02 22823	AVW



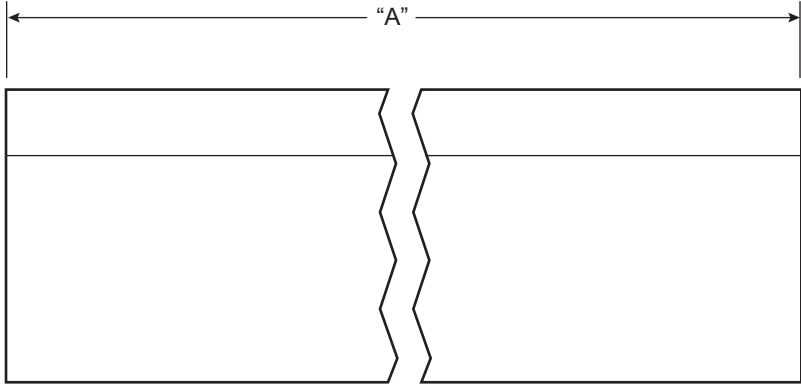
Stoughton Number	Remarks
02 24154	Top

ZTPVW "Tough Plate" Top Extrusion



Stoughton Number	Remarks
02 24169	Bottom

ZTPVW "Tough Plate" Bottom Extrusion

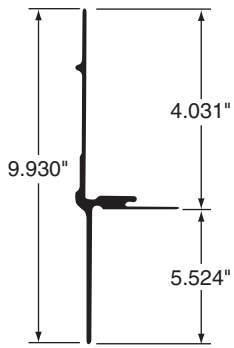


Stoughton Number	"A"	Remarks
04 24346 003	623 1/2"	18" Plate
04 24346 002	563 1/2"	18" Plate
04 24346 001	527 1/2"	18" Plate

ZTPVW "Tough Plate" Bottom Plate

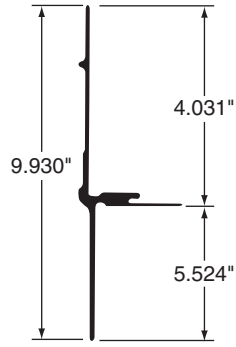
LOWER RAILS

Dorsey



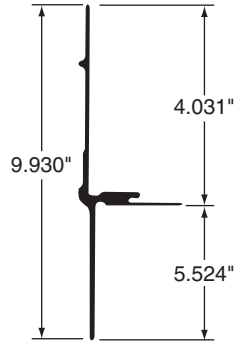
LOWER RAIL, 618"

Stoughton Number
DOR-2511068



LOWER RAIL, 558"

Stoughton Number
DOR-2511068-558



LOWER RAIL

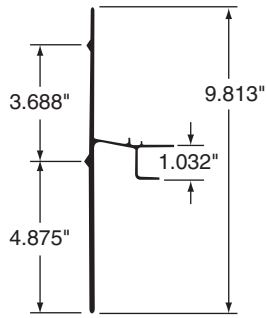
Stoughton Number
DOR-2511203



LOWER RAIL, 618"

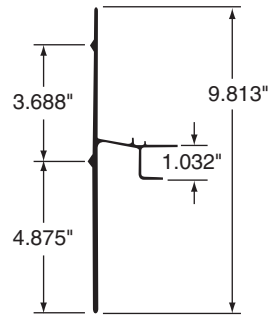
Stoughton Number
DOR-2511230-568

Fruehauf



LOWER RAIL

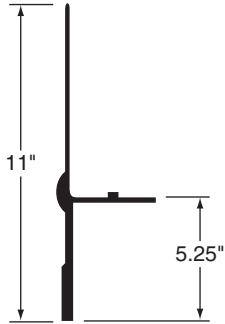
Stoughton Number
FRU#STK21038-47



LOWER RAIL, EXTRU, 625"

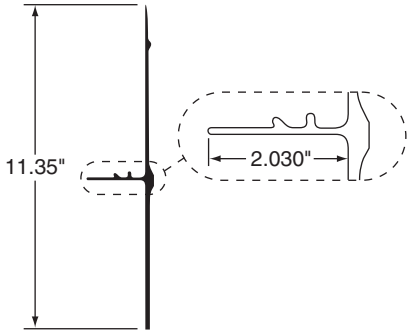
Stoughton Number
FRU#STK21038-52

LOWER RAILS Great Dane



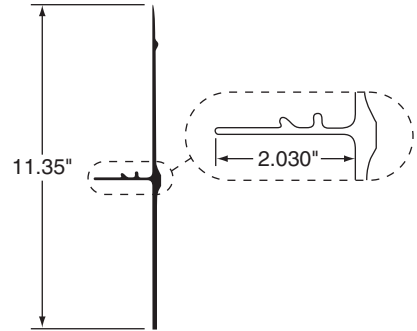
LOWER RAIL, EXTRU, 624"

Stoughton Number
GD#60307101



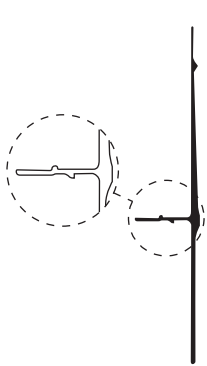
LOWER RAIL, EXTRU, 626"

Stoughton Number
GD#60308901



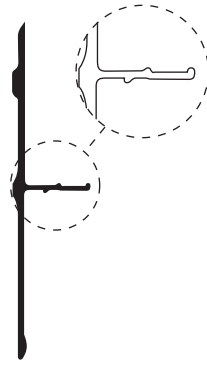
LOWER RAIL, EXTRU, 327"

Stoughton Number
GD#60308901-327



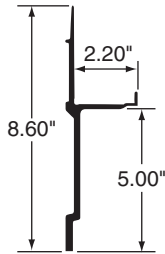
LOWER RAIL, EXTRU, 625"

Stoughton Number
GD#60312306



LOWER RAIL, EXTRU, 625"

Stoughton Number
GD#60315409

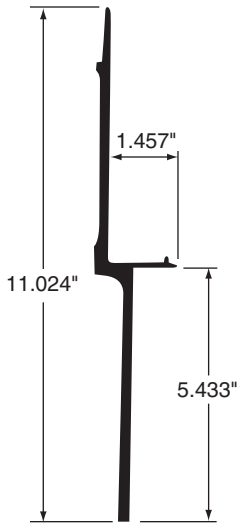


LOWER RAIL "SUPER SEAL," 621.25"

Stoughton Number
GD#4-09864-09940

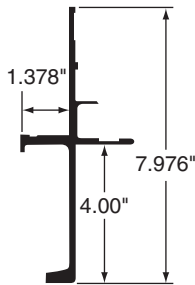
LOWER RAILS

Hyundai



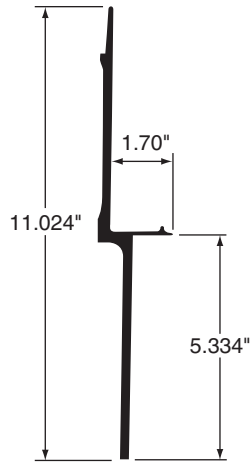
LOWER SIDE RAIL, 30.6'

Stoughton Number
HY#1000-3979



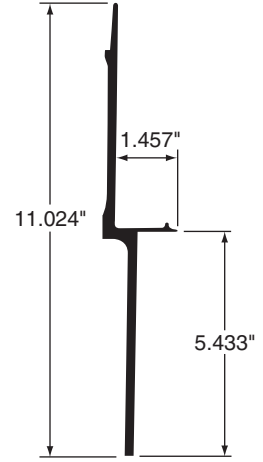
LOWER RAIL

Stoughton Number
HY#1000-4707



LOWER RAIL

Stoughton Number
HY#1000-4711



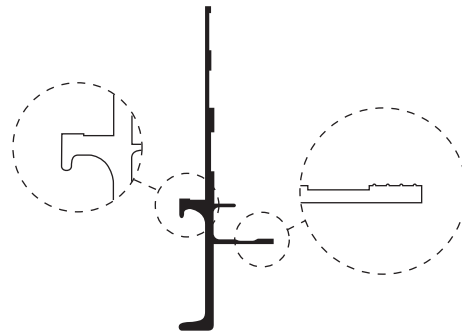
BOTTOM RAIL

Stoughton Number
HY#1000-4717



LOWER RAIL

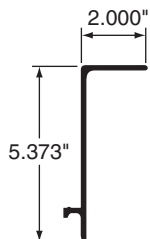
Stoughton Number
HY#1000-5678



LOWER RAIL CONTAINER

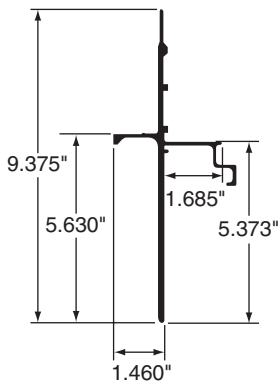
Stoughton Number
HY#1001-5731

Monon



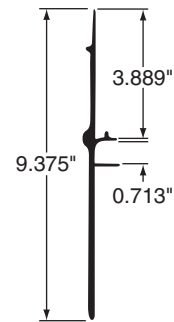
LOWER RAIL

Stoughton Number
MON-AB039418



LOWER RAIL, EXTERIOR POST

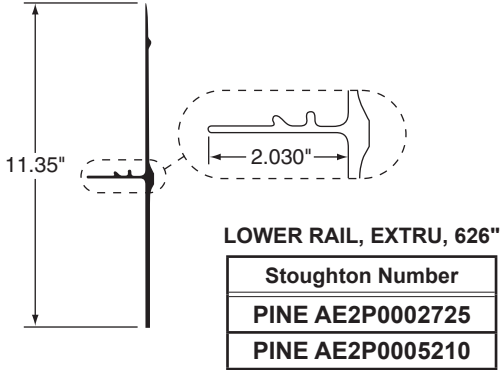
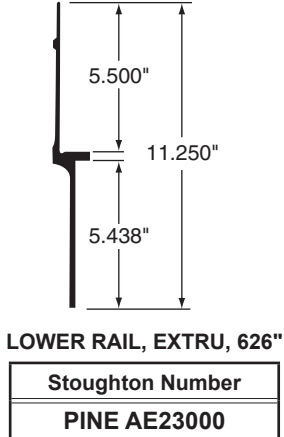
Stoughton Number
MON-AX054359



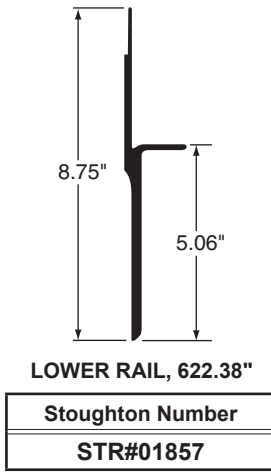
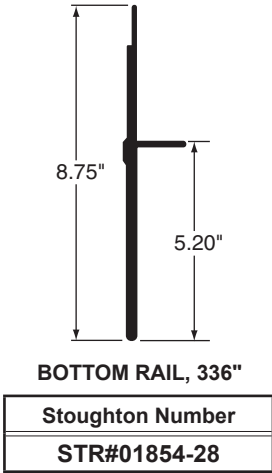
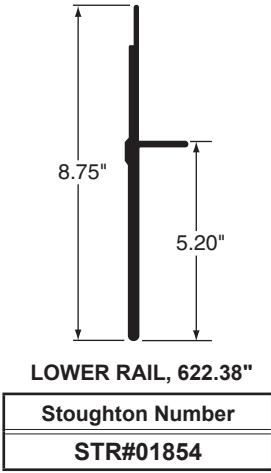
LOWER RAIL, INTERIOR POST

Stoughton Number
MON-AX054380

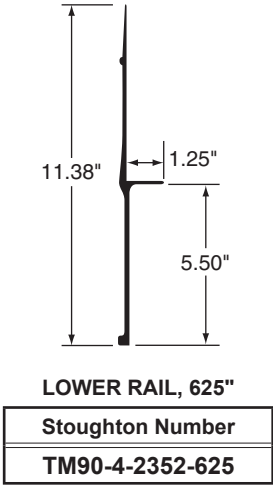
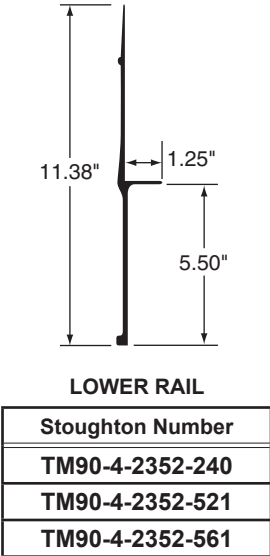
LOWER RAILS Pines



Strick



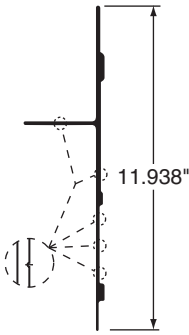
Trailmobile



"Dorsey," "Fruehauf," "Great Dane," "Hyundai," "Kentucky," "Lufkin," "Monon," "Manac," "Pines," "Strick," "Trailmobile," "Utility," "Vanguard Trailer," and "Wabash" are trademarks of their respective owners and are used only to identify corresponding part numbers of Stoughton Part Sales, LLC. Stoughton Part Sales, LLC is not affiliated with the owners of these trademarks.

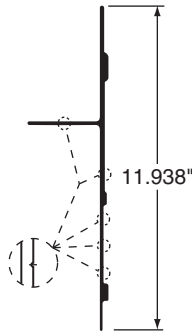
LOWER RAILS

Utility



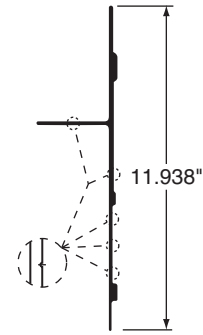
LOWER RAIL, ALUM, 2000R, 561.5"

Stoughton Number
UT-01-6650-0-061



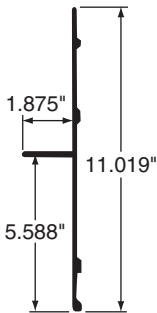
LOWER RAIL, ALUM, 2000R, 408"

Stoughton Number
UT-01-6650-0-062



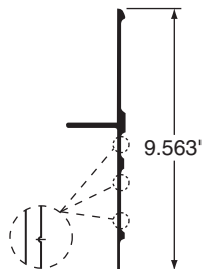
LOWER RAIL, ALUM, 2000R, 621.5"

Stoughton Number
UT-01-6650-0-091



LOWER RAIL, 3000R, 625"

Stoughton Number
UT-01-6650-0-149



LOWER RAIL, 3000R, WITH 4" X-MEMBER, HD

Stoughton Number
UT-01-6650-0-167



BOTTOM RAIL

Stoughton Number
UT-01-6650-0-190

Wabash

Aluminum Repair Plate for High Baserail

0.190" x 22" x A

A = 624.5"

LOWER RAIL, 5" MILL

Stoughton Number
WAB-01106921

Aluminum Repair Plate for High Baserail

0.190" x 22" x A

A = 144"

LOWER RAIL

Stoughton Number
WAB-01107364

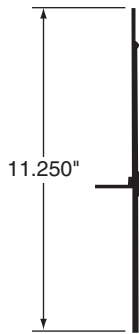
Aluminum Repair Plate for High Baserail

0.190" x 22" x A

A = 312"

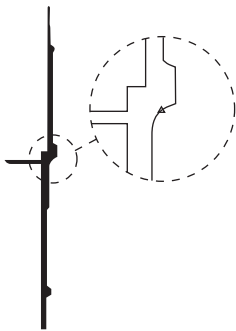
LOWER RAIL

Stoughton Number
WAB-01107434



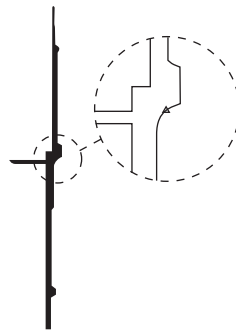
LOWER RAIL, REEFER

Stoughton Number
WAB-E0366260



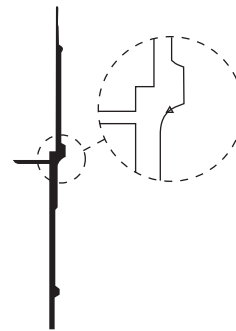
LOWER RAIL, 108"

Stoughton Number
WAB-E3831080



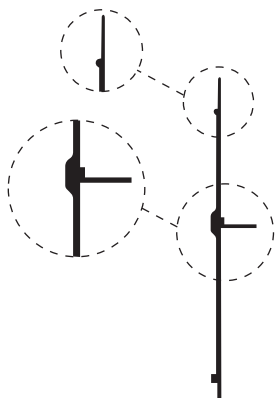
LOWER RAIL, 324"

Stoughton Number
WAB-E3833240



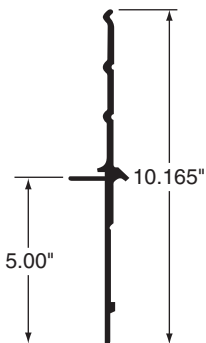
LOWER RAIL, 626"

Stoughton Number
WAB-E3836260



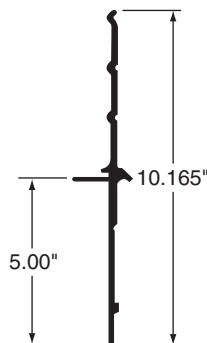
LOWER RAIL, 626"

Stoughton Number
WAB-E7026260



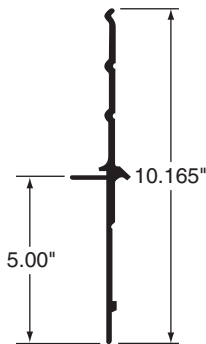
DURAPLATE LOWER RAIL, 108"

Stoughton Number
WAB-E7321080



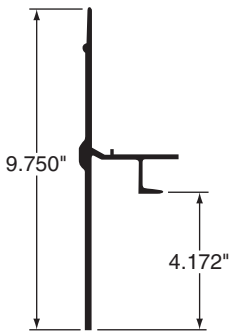
DURAPLATE LOWER RAIL, 324"

Stoughton Number
WAB-E7323240



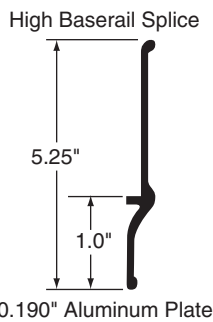
DURAPLATE LOWER RAIL, 626"

Stoughton Number
WAB-E7326260



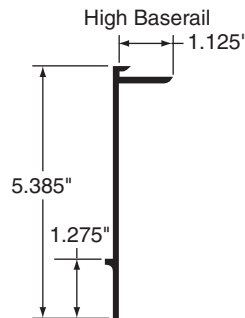
BOTTOM RAIL, SHEET AND POST

Stoughton Number
WAB-E8116260



LOWER RAIL

Stoughton Number
WAB-E9966260



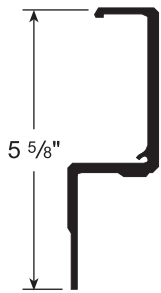
LOWER RAIL

Stoughton Number
WAB-E9976260

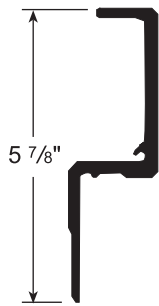
"Dorsey," "Fruehauf," "Great Dane," "Hyundai," "Kentucky," "Lufkin," "Monon," "Manac," "Pines," "Strick," "Trailmobile," "Utility," "Vanguard Trailer," and "Wabash" are trademarks of their respective owners and are used only to identify corresponding part numbers of Stoughton Part Sales, LLC. Stoughton Part Sales, LLC is not affiliated with the owners of these trademarks.

UPPER RAILS – EXTRUDED ALUMINUM

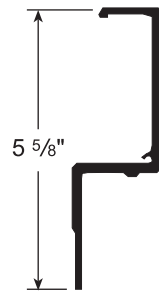
Stoughton



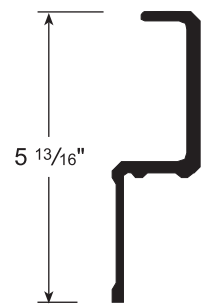
Stoughton Number
02 04795



Stoughton Number	Remarks
02 06388	AVW

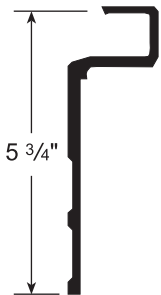


Stoughton Number	Remarks
02 06831	DVW

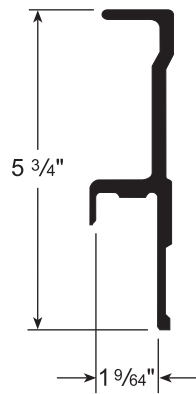


Stoughton Number
* 02 10205

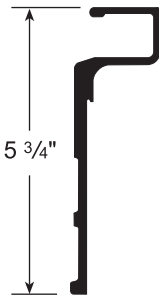
Replaces 02 11920



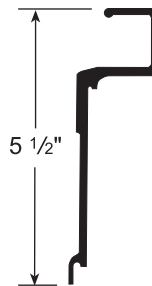
Stoughton Number
02 11132



Stoughton Number
* 02 13351

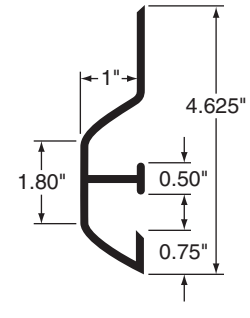


Stoughton Number
* 02 13865

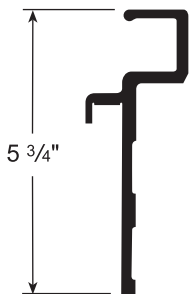


Stoughton Number
02 16545

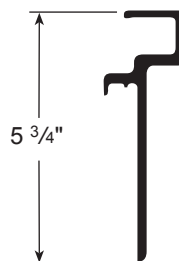
Replaces 02 14657



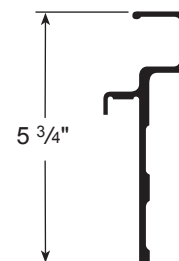
Stoughton Number
02 18804 613 50



Stoughton Number
02 20573 ZPVW ZGPVW ZTPVW



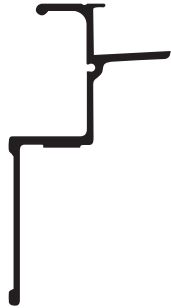
Stoughton Number	Remarks
* 02 22153	Schneider Container



Stoughton Number	Remarks
02 22626	SEVW

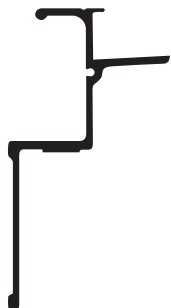
* Refers to Container

UPPER RAILS Dorsey



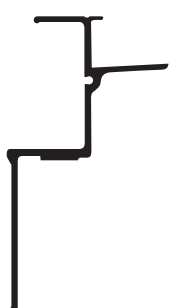
UPPER RAIL

Stoughton Number
DOR-2511202



UPPER RAIL

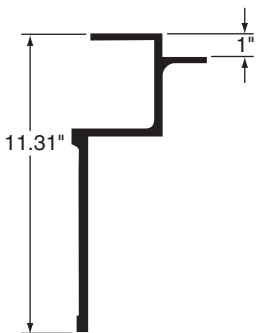
Stoughton Number
DOR-2511074-558



UPPER RAIL

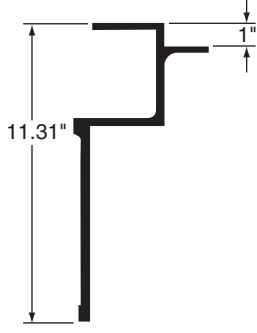
Stoughton Number
DOR-2511208-348

Great Dane



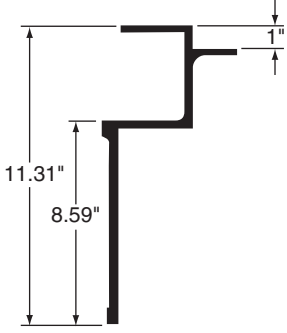
UPPER RAIL, 564"

Stoughton Number
GD#60304401



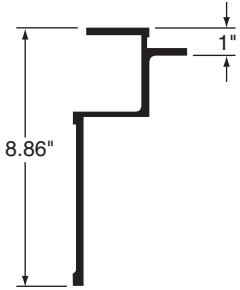
UPPER RAIL, 622"

Stoughton Number
GD#60304402



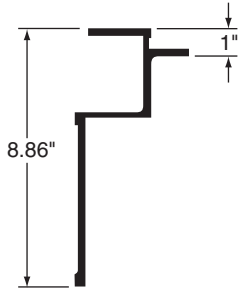
UPPER RAIL, EXTRU, 622.20"

Stoughton Number
GD#60304406



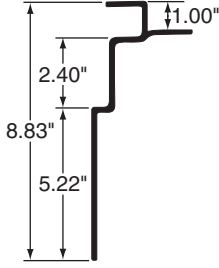
UPPER RAIL, EXTRU, 625"

Stoughton Number
GD#60309001



UPPER RAIL, EXTRU, 324.6"

Stoughton Number
GD#60309001-3246

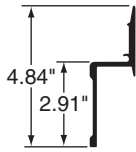


UPPER RAIL, 623.23"

Stoughton Number
GD#60311701

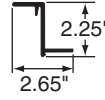
UPPER RAILS

Great Dane



UPPER RAIL "SUPER SEAL," 621.25"

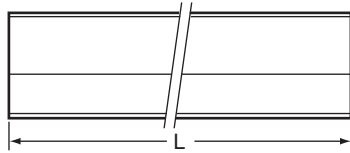
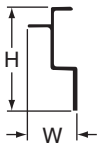
Stoughton Number
GD#4-14046-09940



UPPER RAIL "SUPER SEAL," 620.75"

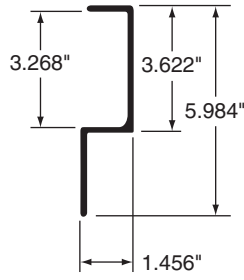
Stoughton Number
GD#4-23854-09932

Hyundai



UPPER SIDE RAIL, 52'

Stoughton Number
HY#1000-3986



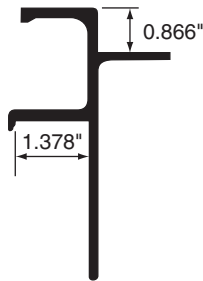
UPPER RAIL

Stoughton Number
HY#1000-4926



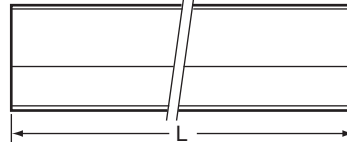
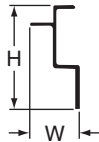
CONTAINER TOP RAIL

Stoughton Number
HY#1000-4927



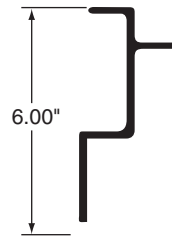
UPPER RAIL

Stoughton Number
HY#1000-6153



TOP RAIL, 28'

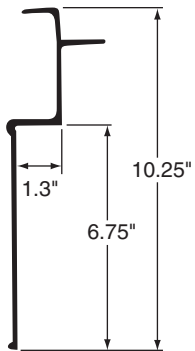
Stoughton Number
HY#1000-8568



SIDE RAIL, UPPER 622"

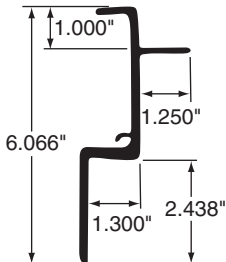
Stoughton Number
HY#1001-5708

UPPER RAILS Monon



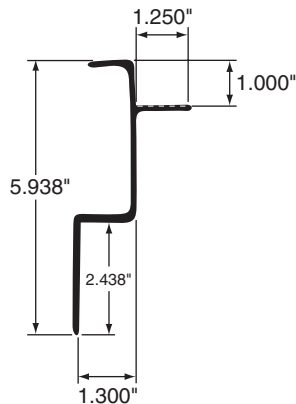
UPPER RAIL

Stoughton Number
MON-AA100140



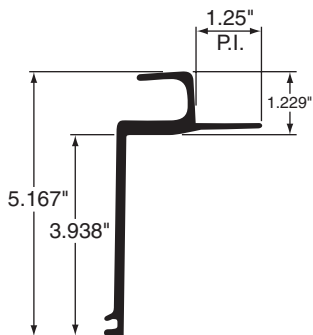
UPPER RAIL, INTERIOR POST TRLR

Stoughton Number
MON-AA100170



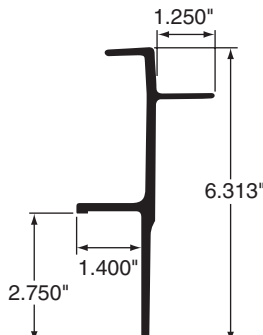
UPPER RAIL, INTERIOR

Stoughton Number
MON-AA100290



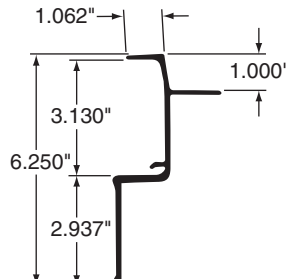
UPPER RAIL

Stoughton Number
MON-AX054345



TOP RAIL, EXTERIOR POST

Stoughton Number
MON-AX054379

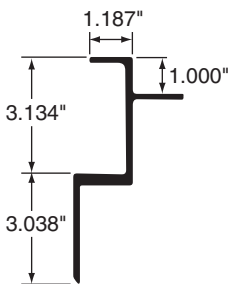


TOP RAIL

Stoughton Number
MON-V01-150

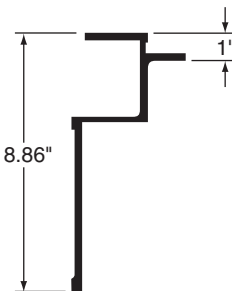
Pines

Strick



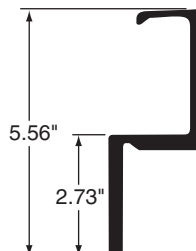
UPPER RAIL, EXTRU, 625"

Stoughton Number
PINE AE1D1005176



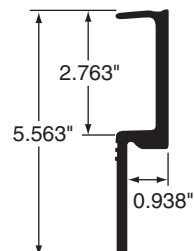
UPPER RAIL, EXTRU, 625"

Stoughton Number
PINE AE1P0002705
PINE AE1P0005205



TOP RAIL, 621.38"

Stoughton Number
STR#06043

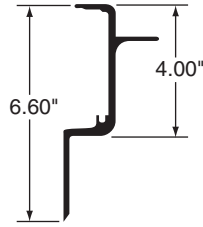


TOP RAIL, 621.38"

Stoughton Number
STR#03396

UPPER RAILS

Trailmobile



UPPER RAIL, INTERIOR POST, MODEL O

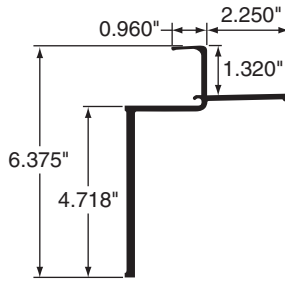
Stoughton Number
TM90-4-2305-240
TM90-4-2305-625

Utility



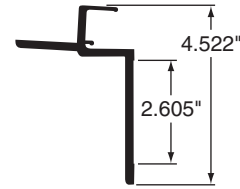
TOP RAIL, 625"

Stoughton Number
UT-01-6650-0-113



TOP RAIL, 3000R, 625"

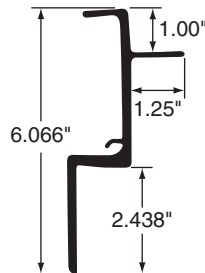
Stoughton Number
UT-01-6650-0-150



TOP RAIL

Stoughton Number
UT-01-6650-0-179

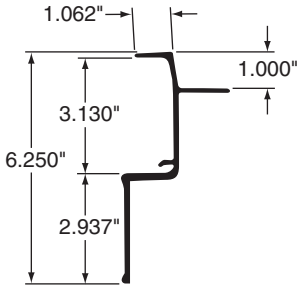
Vanguard Trailers



UPPER RAIL, INTERIOR POST, TRLR

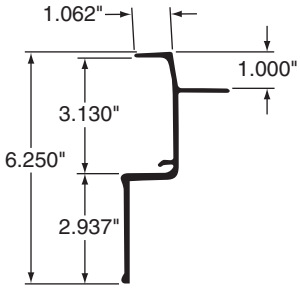
Stoughton Number
VAN-EXT0002-3660
VAN-EXT0002-621M

UPPER RAILS Wabash



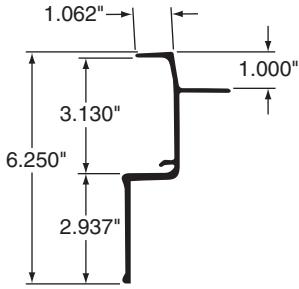
UPPER RAIL, UNIV, 9'

Stoughton Number
WAB-E0011080



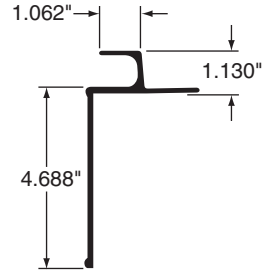
UPPER RAIL, UNIV, 27'

Stoughton Number
WAB-E0013240



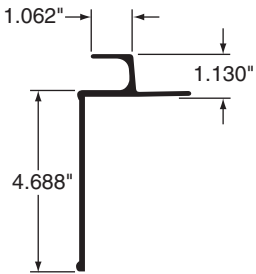
UPPER RAIL, UNIV, 52'

Stoughton Number
WAB-E0016260



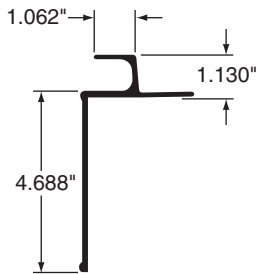
UPPER RAIL, 9'

Stoughton Number
WAB-E0071080



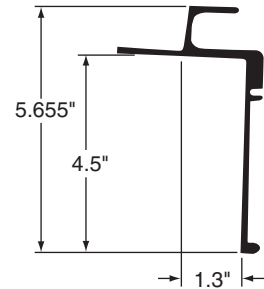
UPPER RAIL, 27'

Stoughton Number
WAB-E0073240



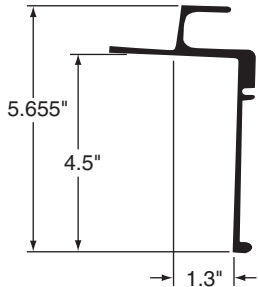
UPPER RAIL, 52'

Stoughton Number
WAB-E0076260



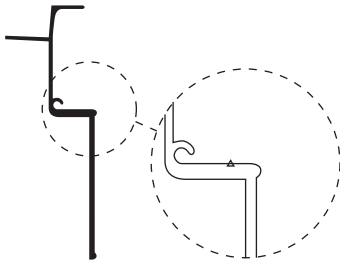
TOP RAIL, HD W/WIRE GROOVE, DURA-PLATE 9'

Stoughton Number
WAB-E0531080



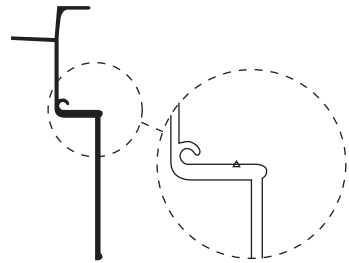
TOP RAIL, HD W/WIRE GROOVE, DURA-PLATE 52'

Stoughton Number
WAB-E0536260



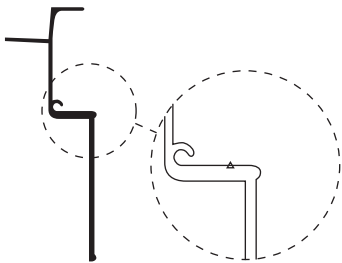
UPPER RAIL, 108"

Stoughton Number
WAB-E0551080



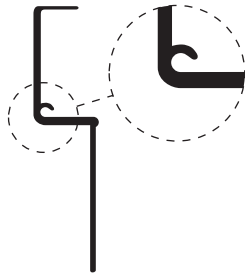
UPPER RAIL, 324"

Stoughton Number
WAB-E0553240



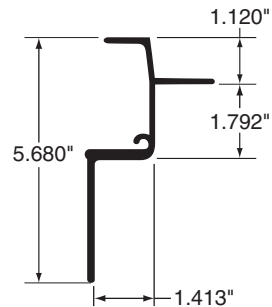
UPPER RAIL, 626"

Stoughton Number
WAB-E0556260



UPPER RAIL, 626"

Stoughton Number
WAB-E3226260



TOP RAIL

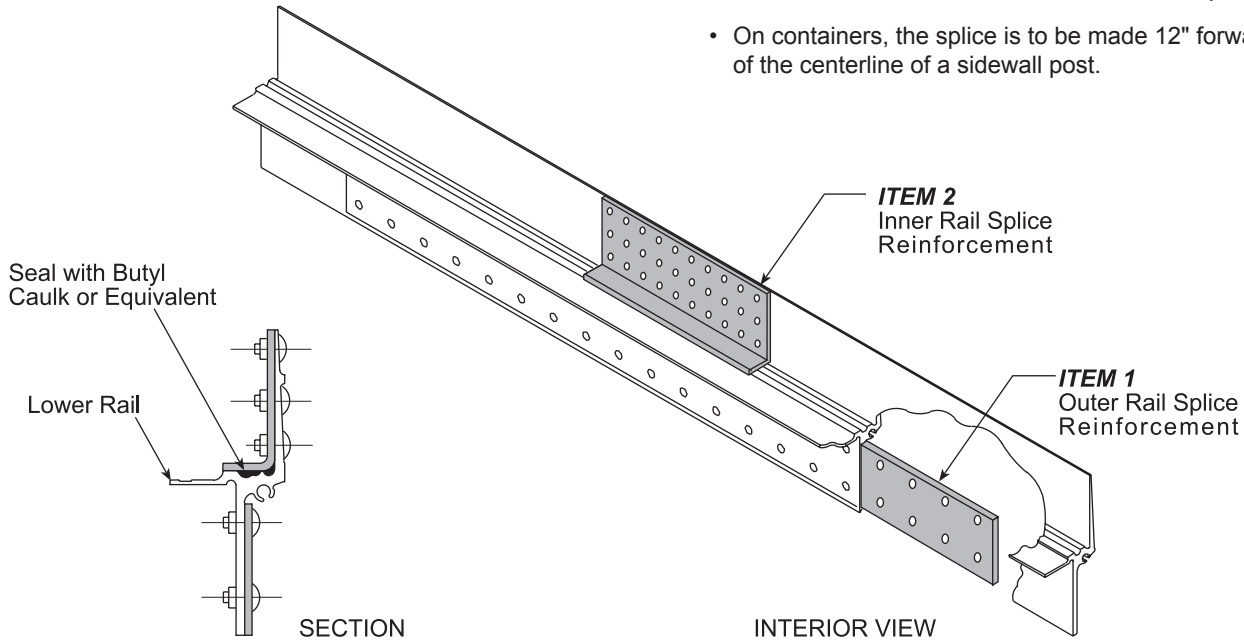
Stoughton Number
WAB-E8216260

SPLICES – LOWER RAILS

Stoughton

Lower Rail Splice Procedure

- Do not weld on the lower rail.
- On radius front trailers, the splice is to be made 8" forward of the centerline of a sidewall post.
- On bevel front trailers, the splice is to be made 10 3/8" forward of the centerline of a sidewall post.
- On containers, the splice is to be made 12" forward of the centerline of a sidewall post.



If Lower Rail Extrusion is:	The Stoughton Number for Item 1 is:	The Stoughton Number for Item 2 is:
02 05184	01 07983	01 07476
02 09727	01 07983	01 10651
02 09828	01 07983	01 10651
02 16544	01 07983	01 15806
02 20498	01 21901	01 23032
02 20548	01 21901	01 23032
02 22823	01 21901	01 23032
02 22843	01 21901	01 23032

If Lower Rail Extrusion is:	The Stoughton Number for the Top Outer Rail Splice Reinforcement is:	The Stoughton Number for the Lower Outer Rail Splice Reinforcement is:	Remarks
02 20572	01 21901	01 21746	No Inner Splice Reinforcement Needed
02 22839	01 20901	01 21746	No Inner Splice Reinforcement Needed

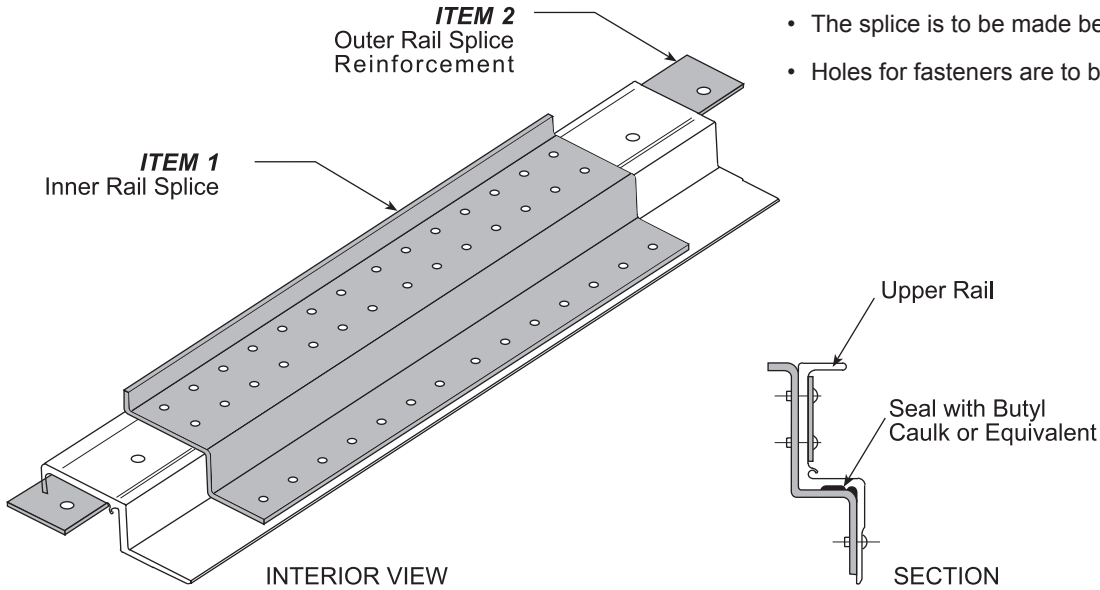
* Refers to Container

SPLICES – UPPER RAILS

Stoughton

Upper Rail Splice Procedure

- Do not weld on the upper rail.
- The splice is to be made between two roof bows.
- Holes for fasteners are to be transfer drilled.



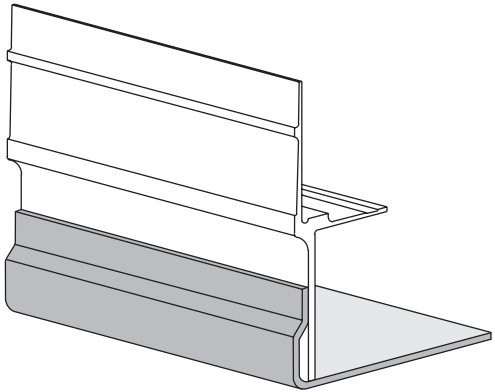
	If Upper Rail Extrusion is:	The Stoughton Number for Item 1 is:	The Stoughton Number for Item 2 is:
*	02 06388	01 07544	01 07979
	02 06831	01 07544	01 07979
	02 10205	01 10658	01 10640
	02 20573	01 21745	01 21923

See Section 15 for more Container Rails

LIFT PADS

Stoughton

NOTE: Lift Pads are specific for rail extrusion.



INTERMEDIATE

Stoughton Number	Length	Remarks
01 08004 100 00	112"	Roadside
01 08004 200 00	112"	Curbside
* 01 12168 000 00	36"	
01 11627 000 00	120"	
01 11627 001 00	60"	

NOTE: "Universal" lift pads do not compare to OE for fit, form, function, and durability.

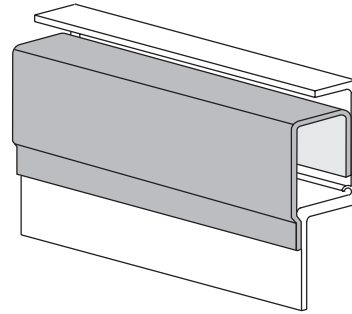
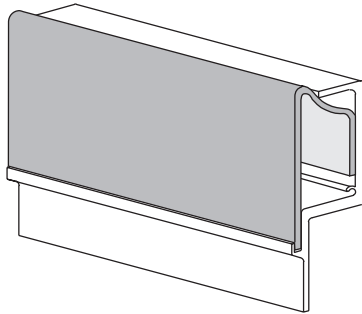
Call with VIN (Serial Number) for correct application

* Refers to Container

UPPER RAIL GUARDS

Call with trailer VIN (Serial Number) for correct application

Stoughton

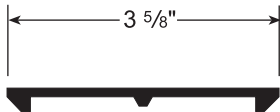


Stoughton Number	Length	Remarks
01 13943 000 00	95 7/8"	
01 19661 000 00	96"	UPS

Stoughton Number	Length
* 01 10315 000 00	72"
* 01 11904 000 00	108"
* 01 15352 000 00	108"

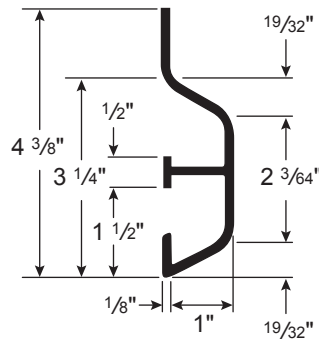
SIDEWALL EXTRUSIONS

Stoughton



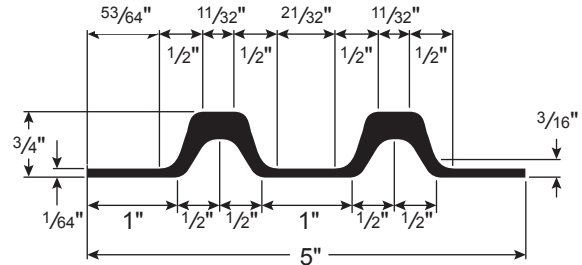
EDGE CLOSURE

Stoughton Number	Remarks
02 04306	Aluminum



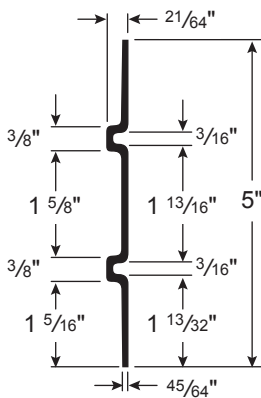
RUB RAIL

Stoughton Number	Remarks
02 18804 613 50	End Caps – 04 21987 000 00



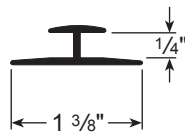
RUB RAIL

Stoughton Number	Remarks
02 19470 314 00	UPS Style



RUB RAIL

Stoughton Number	Remarks
02 20066 322 38	FedEx Style



PLYWOOD DIVIDER

Stoughton Number	Length	Remarks
AS 4713	96"	Aluminum

Dorsey

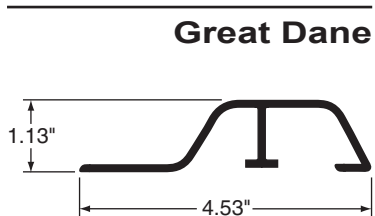


RUB RAIL

Stoughton Number
DOR-2511232-348

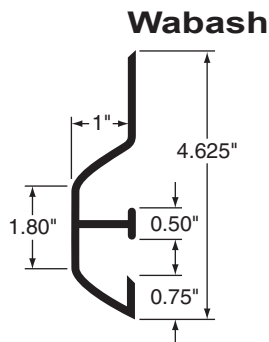
* Refers to Container

SIDEWALL EXTRUSIONS



RUB RAIL, ALUMINUM, 51.1'

Stoughton Number
GD#60314403

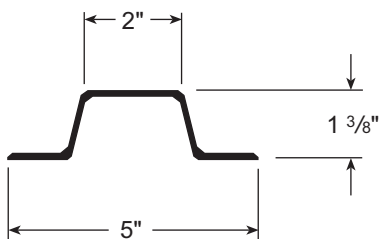


RUB RAIL

Stoughton Number
WAB-E0766130

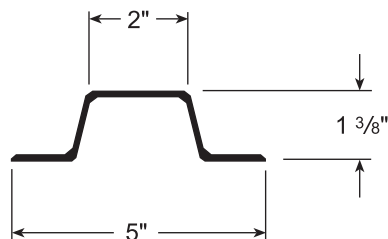
SIDEWALL POSTS – EXTRUDED ALUMINUM

Stoughton



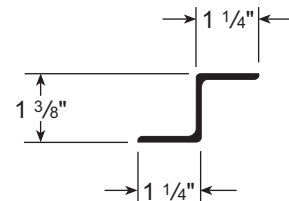
Stoughton Number	Length	Remarks
01 13208 015 02	110"	Punched
02 04793 110 00	110"	
02 04793 125 00	125"	

03-16930 (galvanized) can be substituted

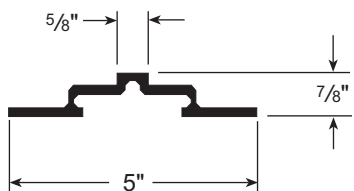


Stoughton Number	Length
02 04793 110 00	110"

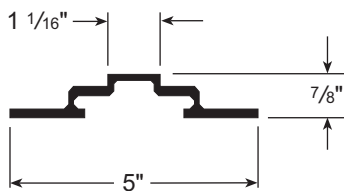
03-16930 (galvanized) can be substituted



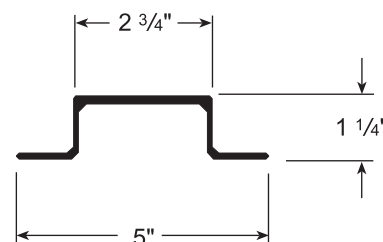
Stoughton Number	Length
02 04922 108 75	108 3/4"
02 04922 126 75	126 3/4"



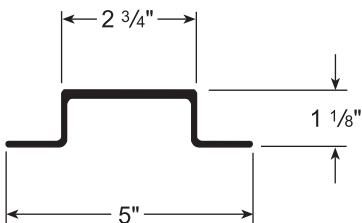
Stoughton Number	Length
02 06517 109 75	109 3/4"



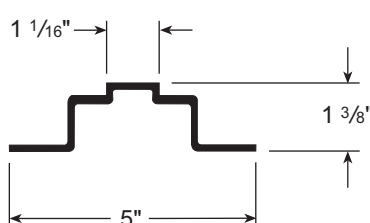
Stoughton Number	Length
02 06902 111 12	111 1/8"



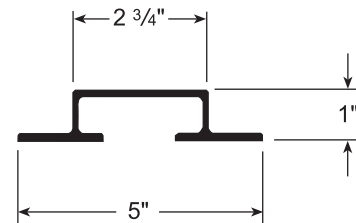
Stoughton Number	Length
* 02 09859 110 00	110"



Stoughton Number	Length
* 02 11321 105 63	105 5/8"



Stoughton Number	Length
02 11815 109 25	109 1/4"

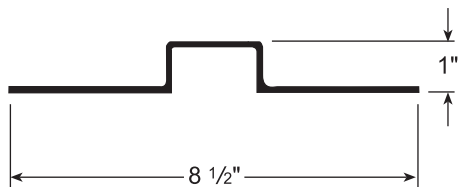


Stoughton Number	Length
* 02 13352 110 00	110"

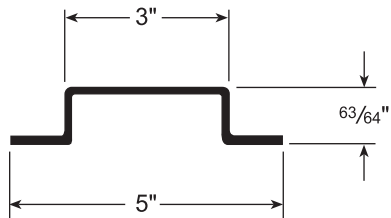
* Refers to Container

SIDEWALL POSTS – EXTRUDED ALUMINUM

Stoughton

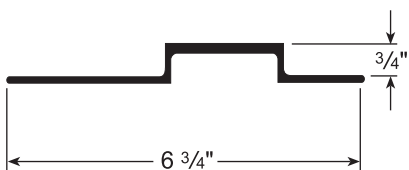


Stoughton Number	Length
* 02 13503 110 00	110"

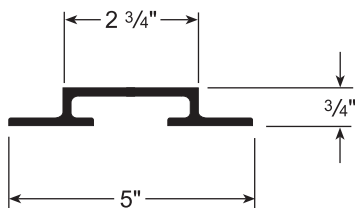


Stoughton Number	Length
02 14396 096 00	96"

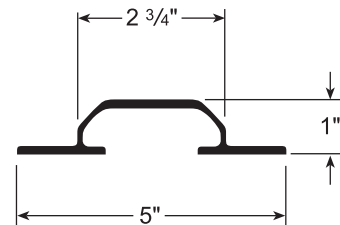
"Capping Post" for 02-13352 and 02-19144



Stoughton Number	Length
* 02 14899 105 31	105 5/16"



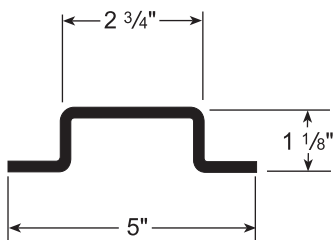
Stoughton Number	Length
* 02 14900 110 00	110"



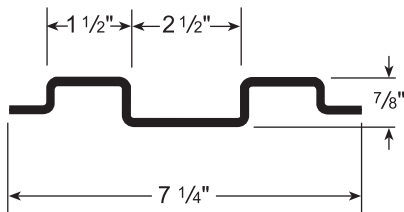
Stoughton Number	Length
* 02 19144 107 56	107 9/16"

SIDEWALL POSTS – ROLLED STEEL

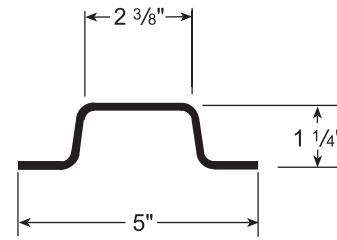
Stoughton – Rolled Steel



Stoughton Number
* 03 12613 105 62

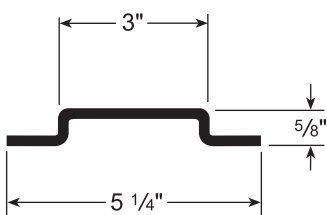


Stoughton Number
03 09686 108 75
03 09686 125 25

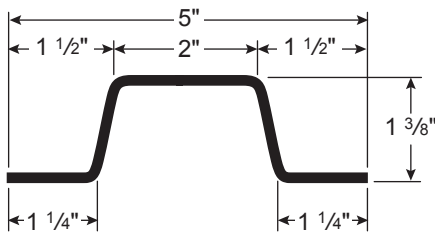


Stoughton Number
* 03 10206 108 75

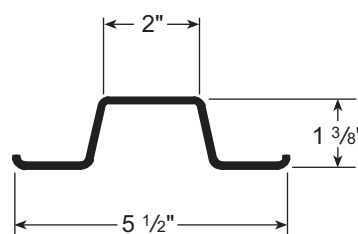
Replaces 01 09902 000 00,
03 09735 000 00 and
03 14275 000 00



Stoughton Number
03 13509 108 75



Stoughton Number	Remarks
03 16930 108 75	Unpunched
03 16930 124 75	Unpunched

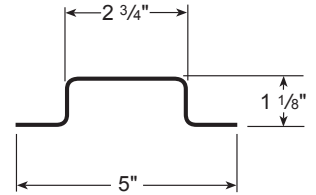
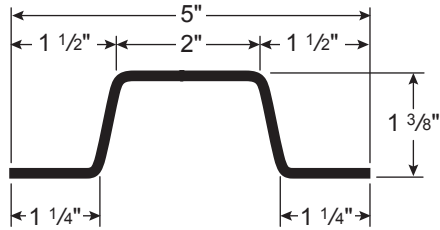
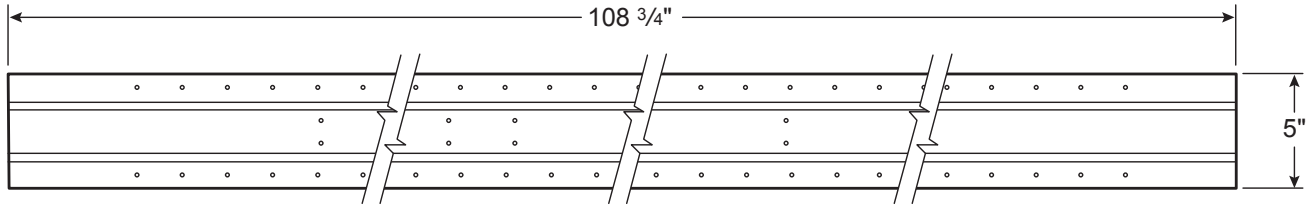


Stoughton Number	Remarks
01 06407 064 00	Punched
01 10041 006 00	
03 06347 110 00	
03 06347 124 75	

* Refers to Container

SIDEWALL POSTS – ROLLED STEEL

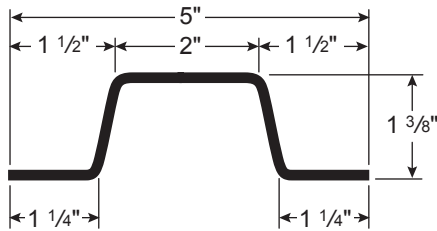
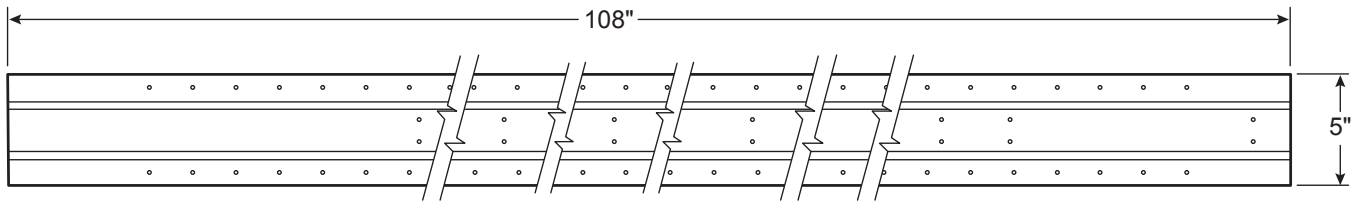
Stoughton



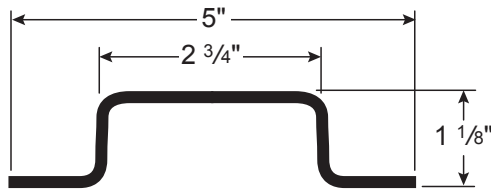
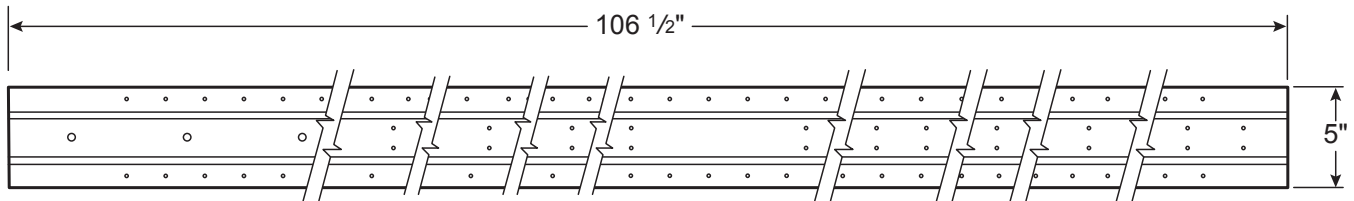
Stoughton Number	Remarks
04 18999 006 00	108 3/4" Punched

14 GA. GALVANIZED

Stoughton Number
04 19648 005 00



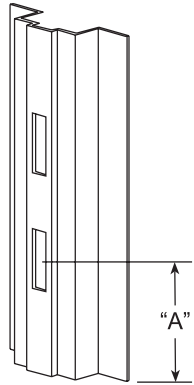
Stoughton Number	Remarks
04 23654 000 00	108" Punched



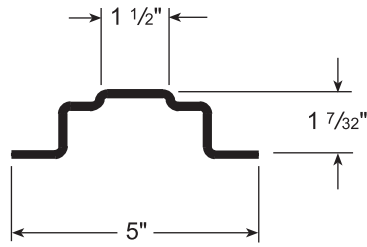
Stoughton Number	Remarks
04 21216 000 00	106 1/2" Punched

SIDEWALL POSTS – LOGISTICS POSTS

Stoughton



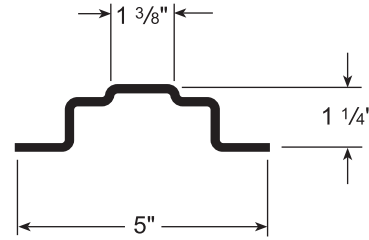
**"A" SLOT
SINGLE TRACKED**



14 GA. ROLLED STEEL

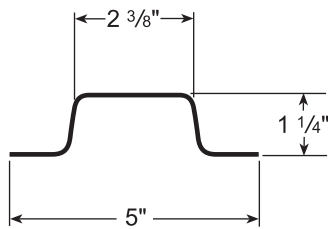
Stoughton Number	"A"	Remarks
03 13042 108 75	7 1/8"	AVW

Replaces 03 13432 108 75



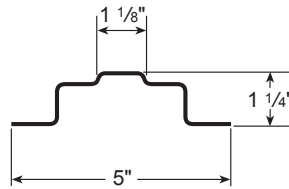
14 GA. GALVANIZED

Stoughton Number	"A"	Remarks
01 13080 006 00	6 1/4"	Punched, AVW
04 18998 006 00	15 1/8"	Punched, AVW



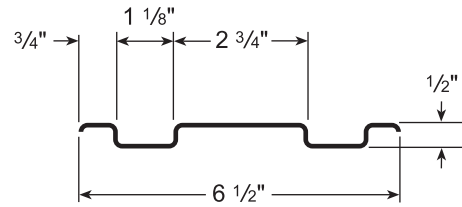
16 GA. GALVANIZED

Stoughton Number	"A"	Remarks
04 20098 001 00	24 1/8"	FedEx Ground
04 20098 002 00	49 1/8"	FedEx Ground



14 GA. GALVANIZED

Stoughton Number	"A"
04 20577 006 00	14 3/8"
04 21026 000 00	108"

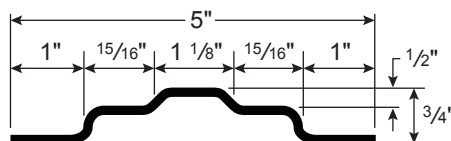
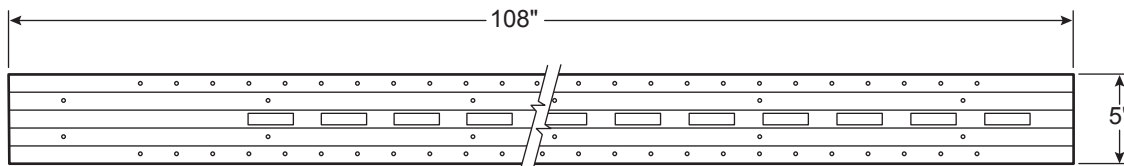


14 GA. GALVANIZED

Stoughton Number	"A"	Remarks
04 20671 006 00	14 3/8"	AVXW

Replaces 04 23439 006 00

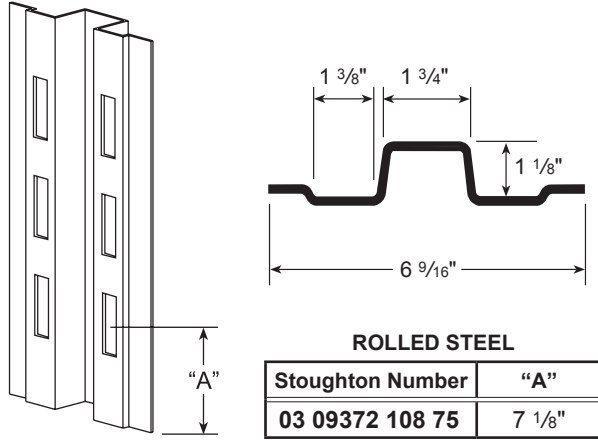
Note: 21 04492 000 00 is the same part, but includes attached reinforcing plate



Stoughton Number
04 20679 006 00

SIDEWALL POSTS – LOGISTICS POSTS

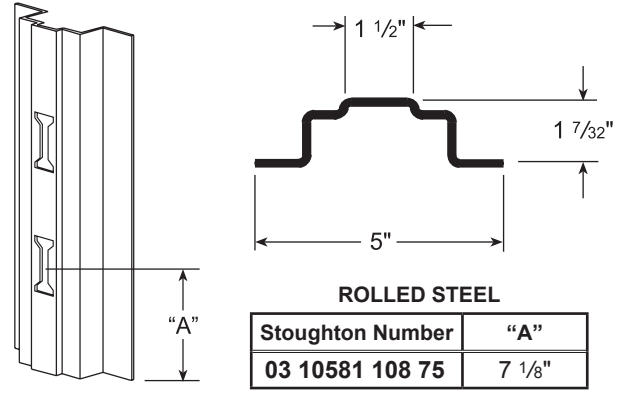
Stoughton



**"A" SLOT
DOUBLE TRACKED**

ROLLED STEEL

Stoughton Number	"A"
03 09372 108 75	7 1/8"



**"E" SLOT
SINGLE TRACKED**

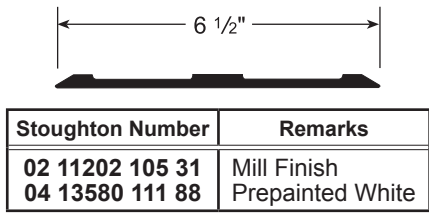
ROLLED STEEL

Stoughton Number	"A"
03 10581 108 75	7 1/8"

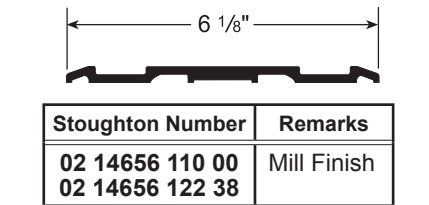
See Page 14-9 for Series "A" and Series "E" Track

PLATE VAN SPLICE PLATES

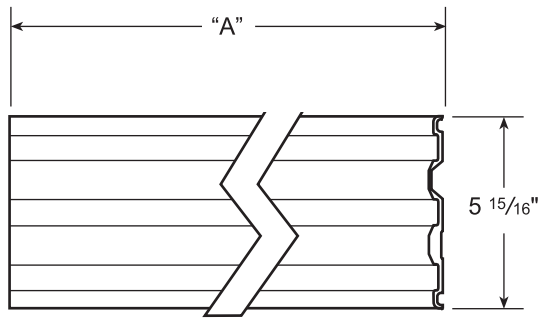
Stoughton



Stoughton Number	Remarks
02 11202 105 31	Mill Finish
04 13580 111 88	Prepainted White

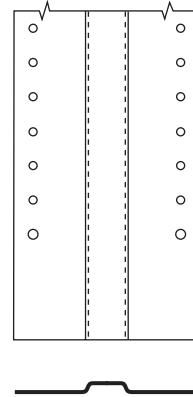


Stoughton Number	Remarks
02 14656 110 00	Mill Finish
02 14656 122 38	

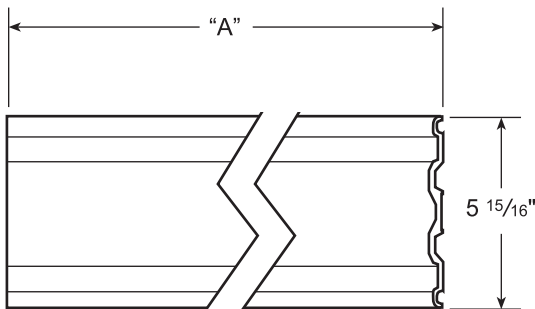


SPLICE PLATE

Stoughton Number	"A"
02 16542 110 00	110"



Z PLATE



SPLICE PLATE

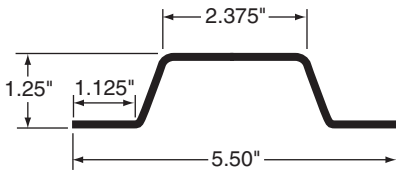
Stoughton Number	"A"
02 16543 106 38	106 3/8"
02 16543 122 38	122 3/8"

Stoughton Number	Length	Remarks
01 21117 006 00	109"	Outer, White
01 21117 006 01	109"	Outer, Gray
01 21117 013 00	109 3/4"	Outer, White
01 21121 006 00	109"	Inner, No Slots
01 21122 006 00	109"	Inner, 8 Slots
01 21122 013 00	109 3/4"	Inner, 8 Slots
01 23264 006 00	109"	Inner, 14 Slots

Call with VIN (Serial Number) for correct application.

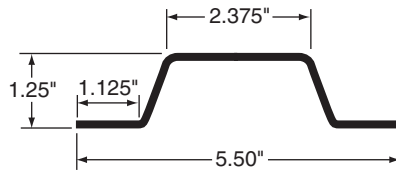
SIDEWALL POSTS

Dorsey



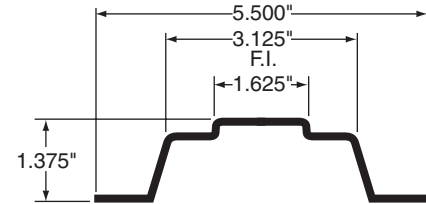
SIDE POST, 16 GA, 112" x 5"

Stoughton Number
DOR-1208829



SIDE POST, 18 GA, GALV, 112"

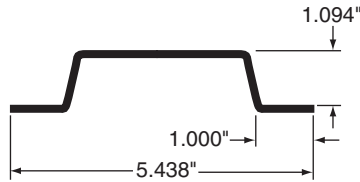
Stoughton Number
DOR-1210513



SIDE POST, STEEL

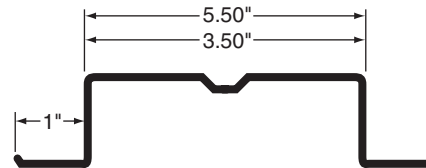
Stoughton Number
DOR-2709311

Fruehauf



SIDE POST, ALUM, 115" L

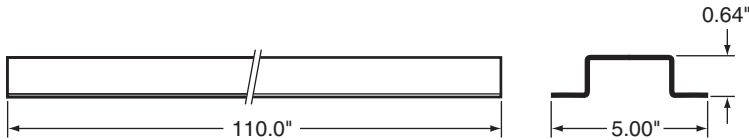
Stoughton Number
FRU#STK020522



SIDE POST, STEEL, 109" L

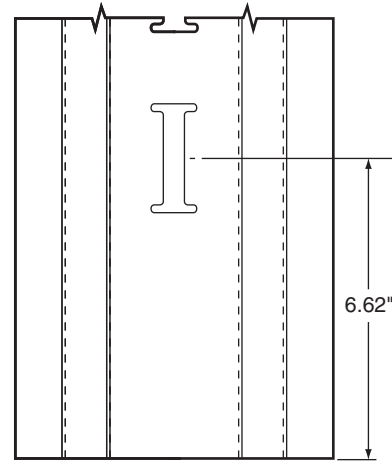
Stoughton Number
FRU#STK30237-109

Great Dane



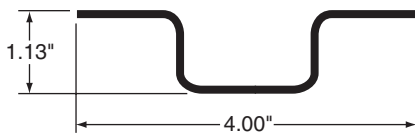
HAT SIDE POST, PUNCHED, 110"

Stoughton Number
GD#.64HATPOST



SIDE POST, LOGITIC, E-SLOT, 120.5"

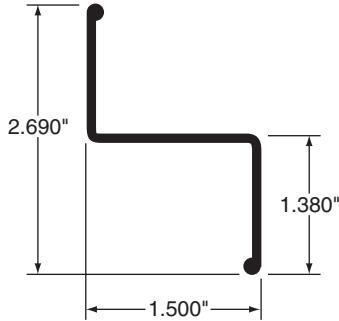
Stoughton Number
GD#00400



SIDE POST, UNPUNCHED, 110"

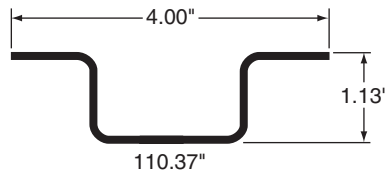
Stoughton Number
GD#00300

SIDEWALL POSTS Great Dane



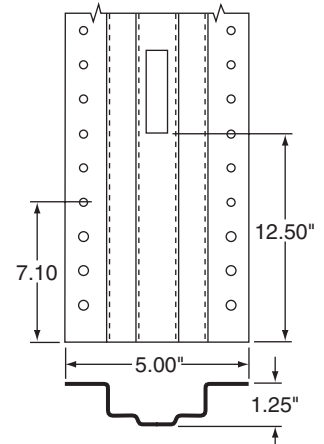
1.5" Z-POST, 110" LONG

Stoughton Number
GD#70262



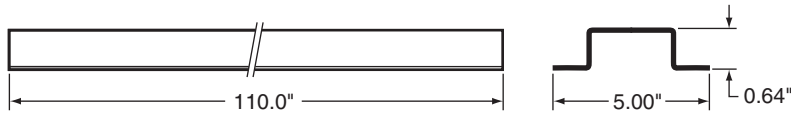
SIDE POST, PUNCHED, 110"

Stoughton Number
GD#40900411



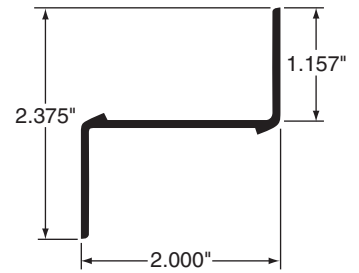
SIDE POST, A LOGISTIC, 16 GA, 109.25"

Stoughton Number
GD#40910400



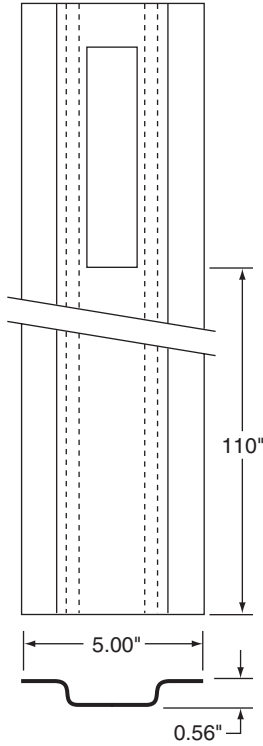
HAT SIDE POST, PUNCHED, 110"

Stoughton Number
GD#40900610



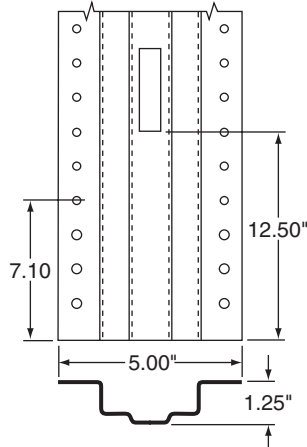
Z SIDE POST, 2" x 114" L

Stoughton Number
GD#60409004



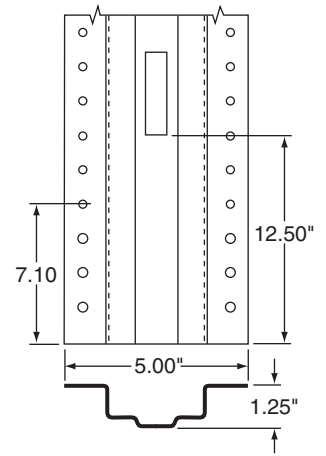
SIDE POST, 14 GA, 110"

Stoughton Number
GD#69102998



SIDE POST, A LOGISTIC, 12 GA, 106"

Stoughton Number
GD#69103003

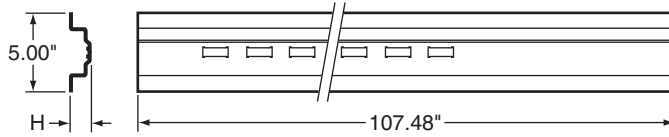


SIDE POST, LOGISTIC, 12 GA, 106"

Stoughton Number
GD#69104357

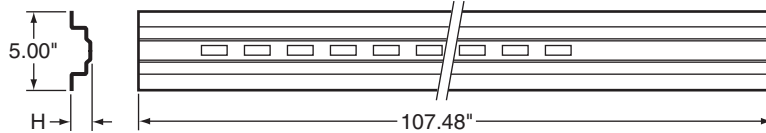
SIDEWALL POSTS

Hyundai



5" W SIDE POST, E-SLOT, 107.48"

Stoughton Number
HY#1000-2740



5" W SIDE POST, A-SLOT, 107.48"

Stoughton Number
HY#1000-2741



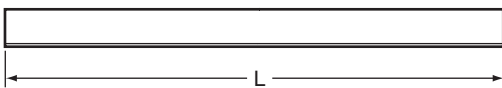
CAPPING POST

Stoughton Number
HY#1000-3453



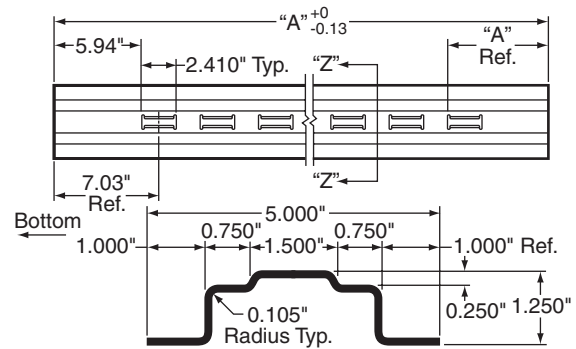
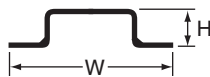
5 x 1.25" SIDE POST, ALUM, 107.5"

Stoughton Number
HY#1000-4293



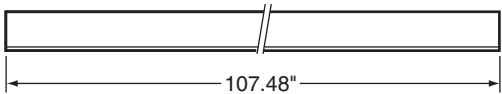
SIDE POST

Stoughton Number
HY#1000-4925



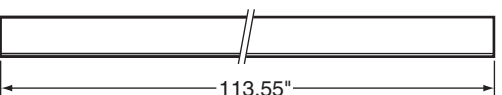
SIDE POST, LOGISTIC

Stoughton Number
HY#1000-5950



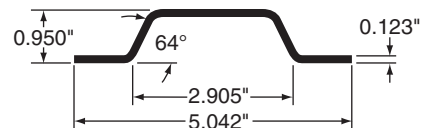
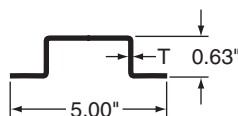
5" SIDE POST, 107.48"

Stoughton Number
HY#1000-5097



SIDE POST, 113.55", PUNCHED 2" O.C.

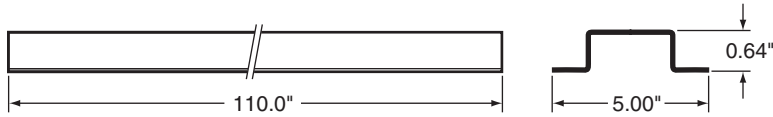
Stoughton Number
HY#1000-6253



SIDE POST, 110"

Stoughton Number
HY#1000-8761

SIDEWALL POSTS Hyundai



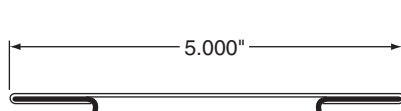
SIDE POST, GALV, A-SLOT, 110" L

Stoughton Number
HY#1001-1202

Picture
Not
Available

SIDE POST, A-TRACK, 113.27" L

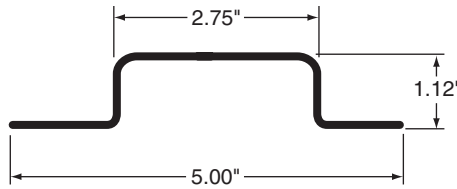
Stoughton Number
HY#1001-3197



107.44" Galv. Steel
0.295 Ultra Plate Wrap Post

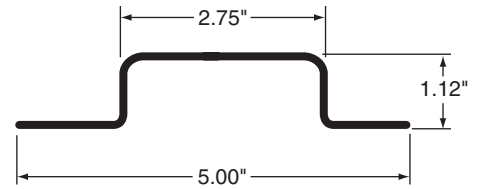
SIDE POST, 107-7/16", GA

Stoughton Number
MANAC#501-300



SIDE POST, 15 GA, A446

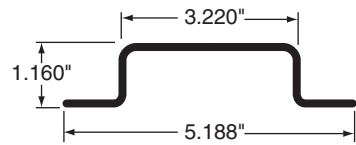
Stoughton Number
MANAC#501-452



SIDE POST, 15 GA, A446

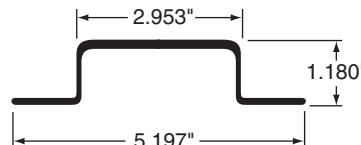
Stoughton Number
MANAC#501-480

Manac



ALUMINUM CAPPING POST, 110" L

Stoughton Number
MON-AI041400-0-P



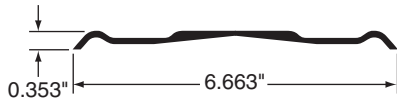
CONTAINER POST, ALUM

Stoughton Number
MON-AX038496



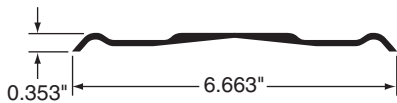
STIFFENER EXTRUSION, PLATE TRAILER

Stoughton Number
MON-AX054343



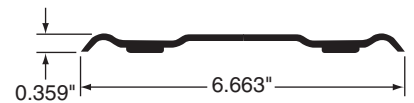
LOGISTIC POST STIFFNER

Stoughton Number
MON-AX054376



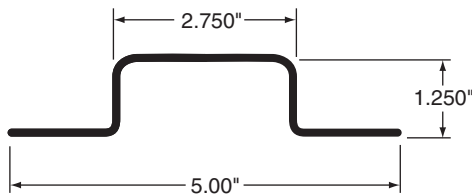
LOGISTIC POST STIFFNER, PPW 115" L

Stoughton Number
MON-AX054376-115



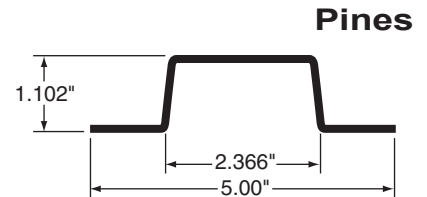
NON-LOGISTIC POST STIFFNER

Stoughton Number
MON-AX054377



SIDE POST, HAT, 16 GA, GRD 60, 116"

Stoughton Number
MON-V02-102F



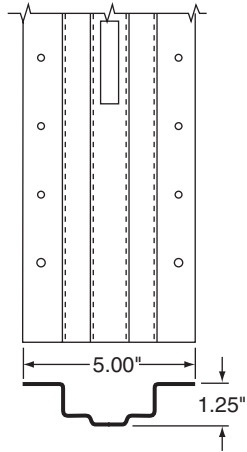
SIDE POST, PUNCHED, 16 GA, 108" x 5"

Stoughton Number
PINE SPB0847

Pines

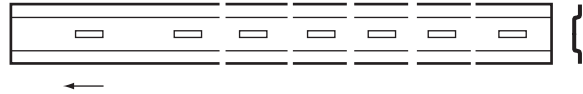
SIDEWALL POSTS

Strick



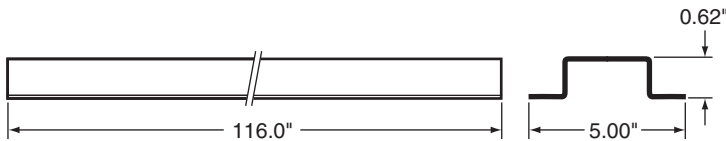
SIDE POST, LOGISTIC, 108.75"

Stoughton Number
STR#24803



SIDE POST, 109.25"

Stoughton Number
STR#18977



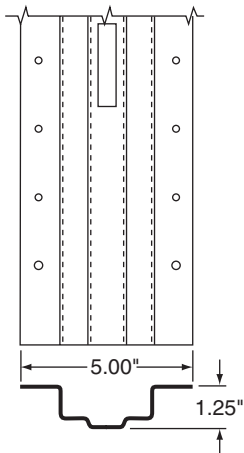
HAT SIDE POST, PUNCHED, 116"

Stoughton Number
STR#30117

**Picture
Not
Available**

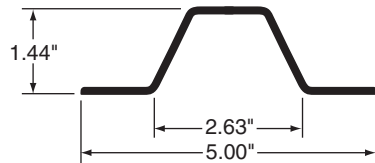
SIDE POST, HAT, 16 GA, GR60 109.25"

Stoughton Number
STR#SK06625



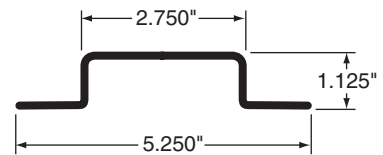
SIDE POST, LOGISTIC, 108.75"

Stoughton Number
STR#52003



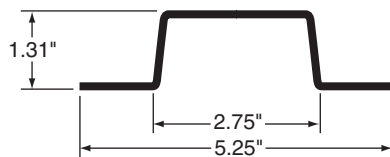
SIDE POST, MILL, ALUM 110-13/16"

Stoughton Number
STRAA63C0017200



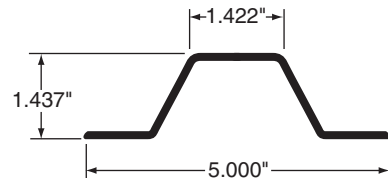
SIDE POST, PUNCHED, 110"

Stoughton Number
STRAA63C06444500



SIDE POST, 12 GA, 107.5" x 5.25"

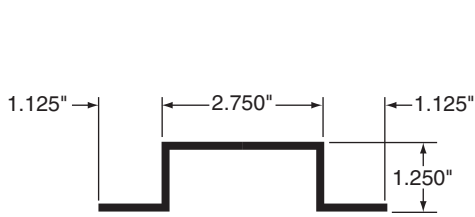
Stoughton Number
STRAA63C07421900



SIDE POST, 110"-120" L

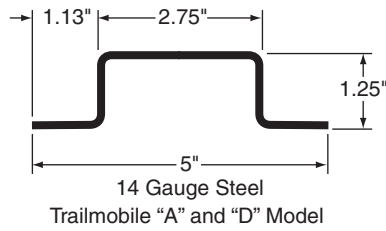
Stoughton Number
STRAS92C-0015-09

SIDEWALL POSTS Trailmobile



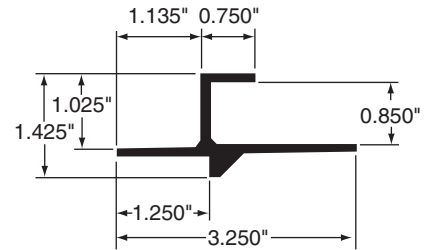
SIDE POST, ALUM, 114" L

Stoughton Number
TM90-4-483-0-114



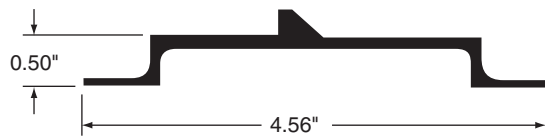
5" SIDE POST, 14 GA STEEL, 123"

Stoughton Number
TM90-4-983-0-123



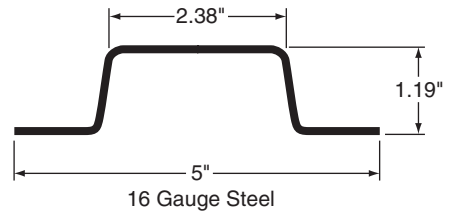
SIDE POST, ALUM, 108" L

Stoughton Number
TM90-4-1081-0108



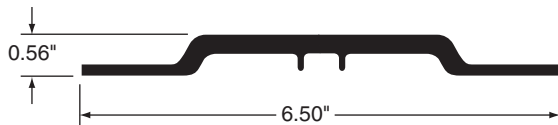
SIDE POST, 110" L

Stoughton Number
TM90-4-1721-0110



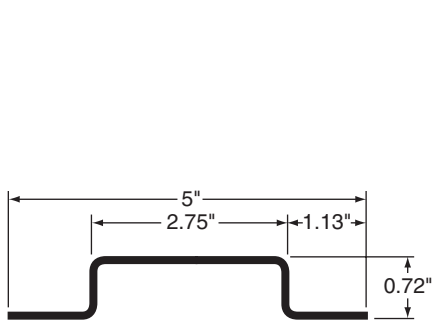
5" SIDE POST, UNPUNCHED , 16 GA, 112"

Stoughton Number
TM90-4-1988-0112
TM90-4-1988P0112



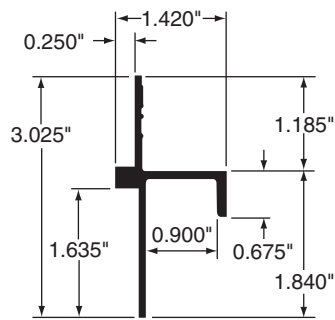
SIDE POST, 123" L

Stoughton Number
TM90-4-1911-0123



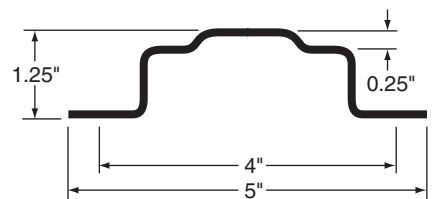
SIDE POST, GALV, PUNCHED, 112"

Stoughton Number
TM90-4-2033P0112



SIDE POST, ALUM, 121" L

Stoughton Number
TM90-4-2349-0121

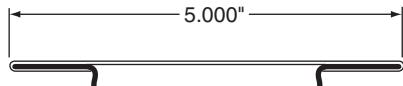


SIDE POST, 16 GA, GALV 107.44"

Stoughton Number
TM7513-5-37-1166

SIDEWALL POSTS

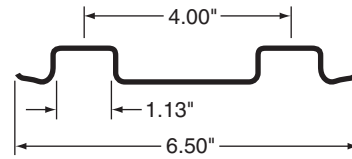
Trailmobile



107.44" Galv. Steel
0.295 Ultra Plate Wrap Post

SIDE POST, GALV 107.44"

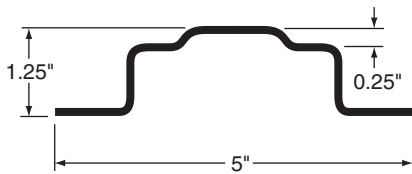
Stoughton Number
TM7513-5-44-1166



AddVantage Carpet Hauler

SIDE POST, A-SLOT, 14 GA 107.63

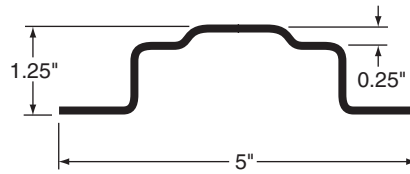
Stoughton Number
TM6513-5-130-12



14 Gauge Galvanized Steel

SIDE POST, E-SLOT, 14 GA 106.875"

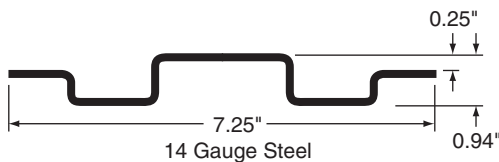
Stoughton Number
TM513-5-600-1166



14 Gauge Galvanized Steel

SIDE POST, A-SLOT, 14 GA, 115.25"

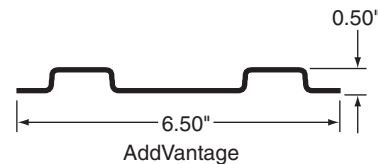
Stoughton Number
TM513-5-600-1250



14 Gauge Steel

SIDE POST, LOG A-SLOT, 106-5/8"

Stoughton Number
TM9513-5-1114

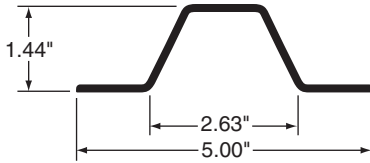


AddVantage

SIDE POST, A-SLOT, 12 GA, GALV 112"

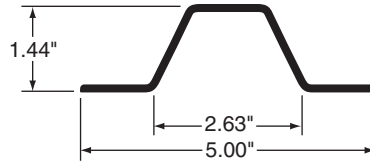
Stoughton Number
TM513-686-1226-A

SIDEWALL POSTS Utility



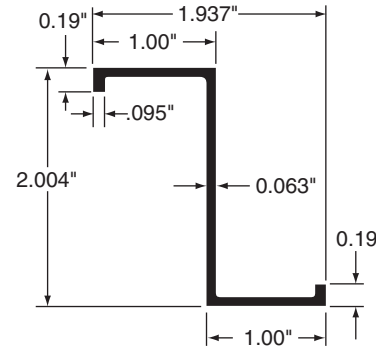
SIDE POST, ALUM, J POST 110"

Stoughton Number
UT-01-6500-110



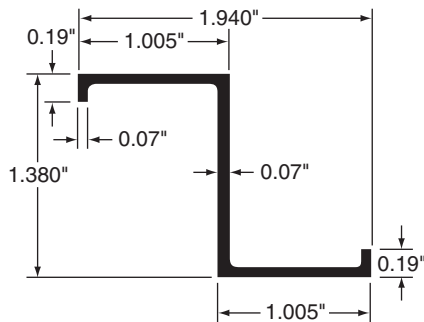
SIDE POST, ALUM, J POST 115"

Stoughton Number
UT-01-6500-157



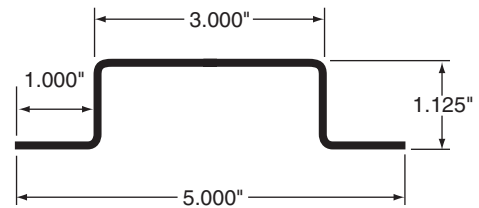
Z POST, 114.5\"/>

Stoughton Number
UT-01-6500-0-14



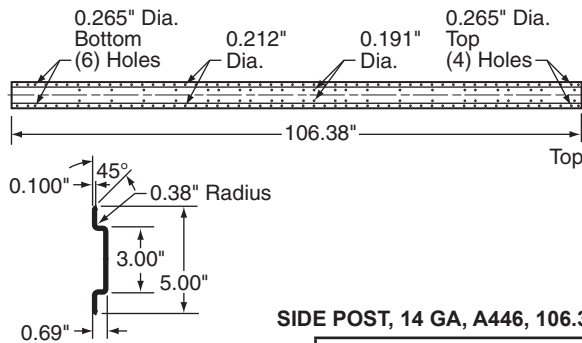
Z POST, 114.5\"/>

Stoughton Number
UT-01-6500-0-35



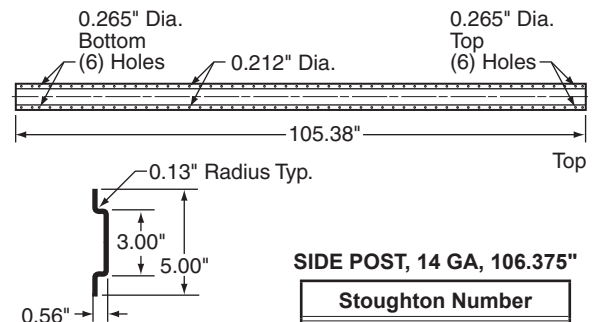
SIDE POST, PUNCHED, STEEL, 110\"/>

Stoughton Number
UT-118



SIDE POST, 14 GA, A446, 106.375\"/>

Stoughton Number
UT-03-6512-0-027

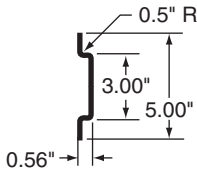
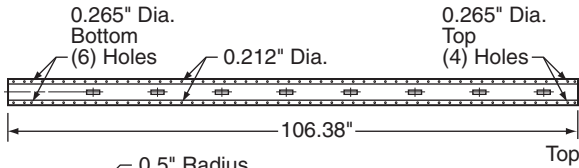


SIDE POST, 14 GA, 106.375\"/>

Stoughton Number
UT-03-6512-0-028

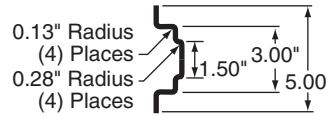
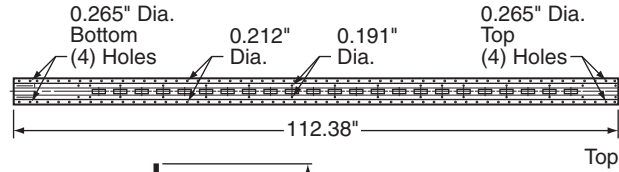
SIDEWALL POSTS

Utility



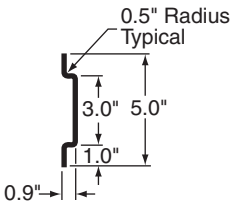
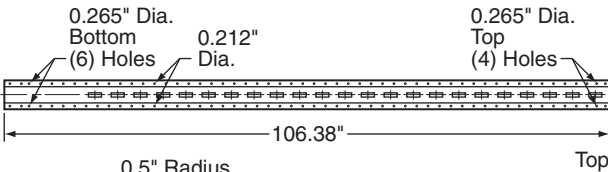
SIDE POST, 14 GA, 106.375"

Stoughton Number
UT-03-6512-0-029



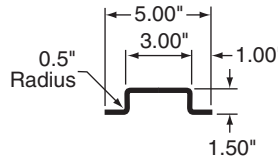
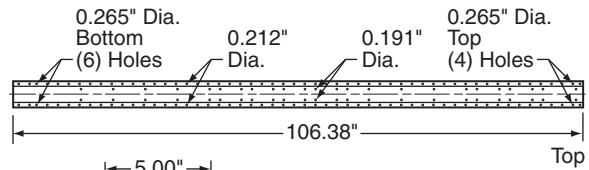
POST, LOGISTIC, 112.375"

Stoughton Number
UT-03-6512-0-033



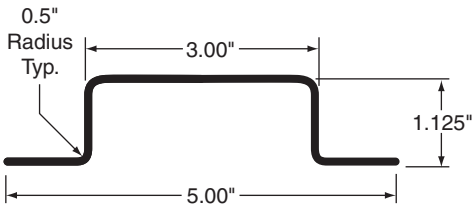
SIDE POST, 14 GA, 106.375"

Stoughton Number
UT-03-6512-0-040



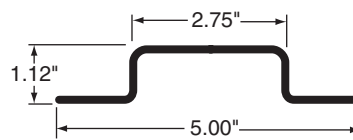
SIDE POST, 16 GA, 106.375"

Stoughton Number
UT-03-6513-0-019



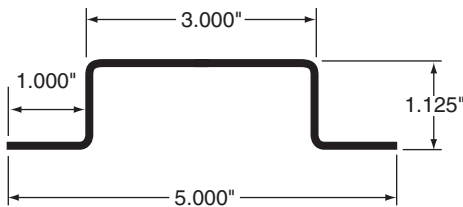
SIDE POST, 16 GA, 110.188"

Stoughton Number
UT-03-6513-0-033



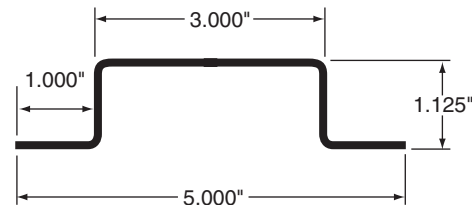
SIDE POST, 14 GA, 108.75"

Stoughton Number
UT-03-6512-0-026



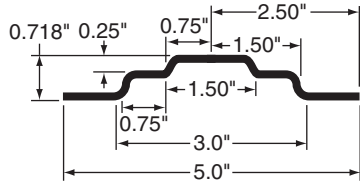
SIDE POST, PUNCHED, STEEL, 110" L

Stoughton Number
UT-03-6513-0-011



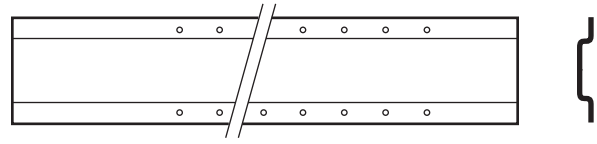
SIDE POST, PUNCHED, STEEL, 110" L

Stoughton Number
UT-03-6513-0-016



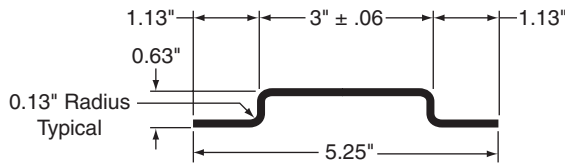
LO-PRO POST, LOGISTIC, 107.62"

Stoughton Number
WAB-00120144



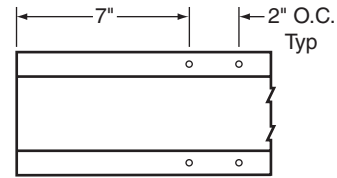
SIDE POST, 16 GA, GALV STEEL

Stoughton Number
WAB-01200038



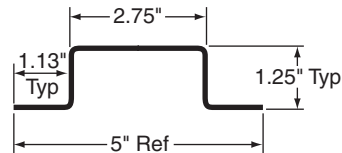
SIDE POST, 16 GA, GALV STEEL

Stoughton Number
WAB-01200047



5" SIDE POST, 16 GA, GALV, 112"

Stoughton Number
WAB-01200069

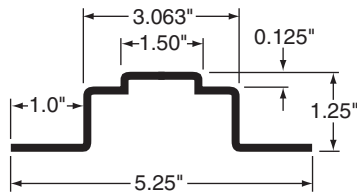


SIDE POST, A-SLOT, STEEL, 128"

Stoughton Number
WAB-01200109

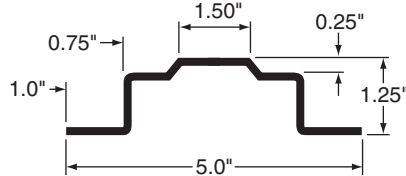
SIDEWALL POSTS

Wabash



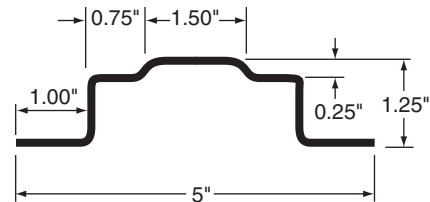
SIDE POST, LOGISTIC, 106-1/4"

Stoughton Number
WAB-01200120



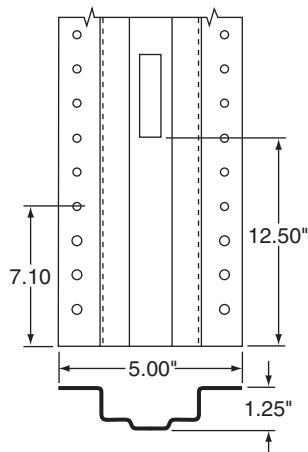
SIDE POST, LOGISTIC, 132-1/2"

Stoughton Number
WAB-01200202



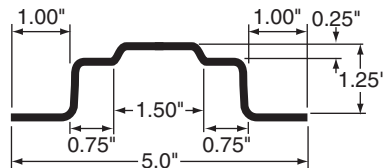
SIDE POST 16 GA, GALV STEEL, 125"

Stoughton Number
WAB-01200262



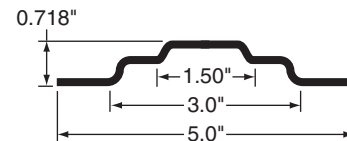
SIDE POST, LOGISTIC, STEEL, 111-7/8"

Stoughton Number
WAB-01200464



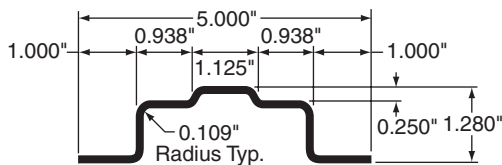
E POST, LOGISTIC, 107.375"

Stoughton Number
WAB-01200550



LO-PRO POST, LOGISTIC, STEEL, 109.62"

Stoughton Number
WAB-01200725



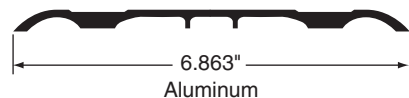
5" SIDE POST, LOG, A-SLOT, 107.875"

Stoughton Number
WAB-01200923



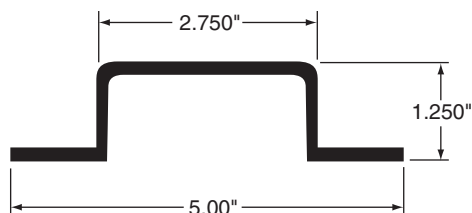
STARTER POST, ALUM, 120"

Stoughton Number
WAB-E0901200



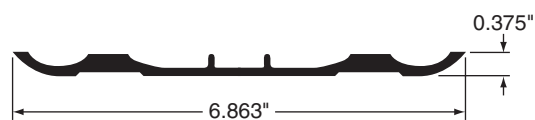
OUTER POST, PUNCHED, 120"

Stoughton Number
WAB-E3501200



SIDE POST, ALUM 114" L

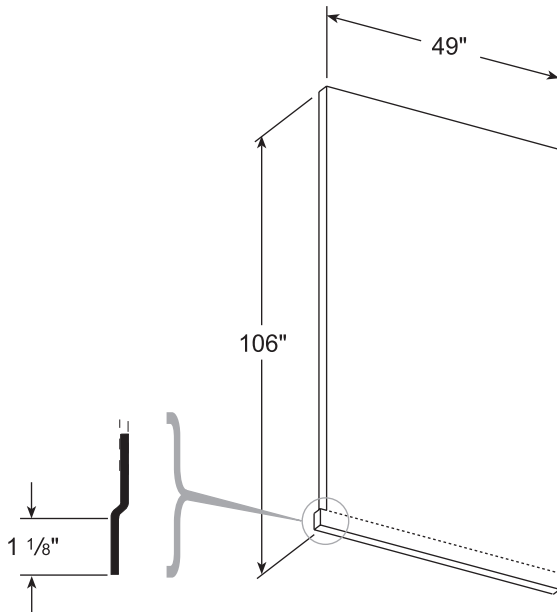
Stoughton Number
WAB-E468114



7" SIDE POST, PUNCHED, ALUM, 126"

Stoughton Number
WAB-E8411260

NOSE PANELS Stoughton

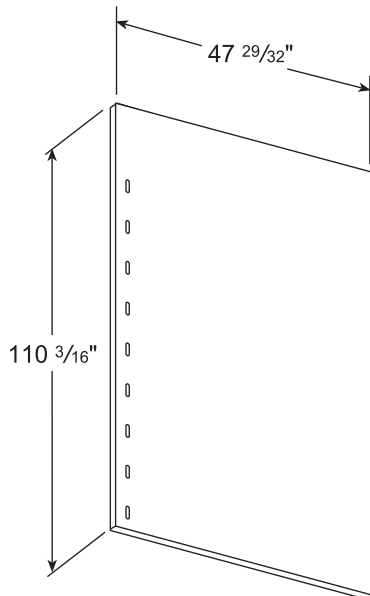


NOSE PANEL UNPUNCHED - OFFSET

Stoughton Number	Remarks
01 14719 XXX 01	.050 Aluminum – Prepainted White
01 14703 X06 09	UPS Gray

For flat sheets commonly used on front walls, see Sidewall Panels on page 2-35

SIDEWALL PANELS Stoughton



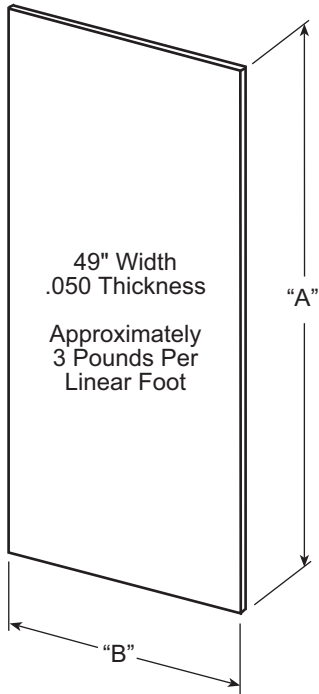
LOGISTIC PLATE SIDEWALL PANEL

Stoughton Number	Remarks
01 17051 1XX XX	.144 Aluminum – Prepainted White – Roadside
01 17051 2XX XX	.144 Aluminum – Prepainted White – Curbside
01 16658 XX9 10	.144 Mill Finish Slotted Plate Panel*

* Specify roadside or curbside when ordering

SIDEWALL PANELS

Stoughton



FLAT SIDEWALL PANEL UNPUNCHED

Stoughton Number	"A"	"B"	Thickness	Remarks
01 09033 XX1 00	110"	49"	.026	Prepainted White Galavan
01 09904 XX1 01	110"	49"	.050	Prepainted White Alum.
01 09904 XX2 01	120"	49"	.050	Prepainted White Alum.
01 09904 XX2 07	120"	49"	.050	Prepainted Black
01 09904 XXX 07	110"	49"	.050	Prepainted Black
01 09904 XXX 15	110"	49"	.050	Prepainted UPS Gray
01 09904 110 PV	110"	49"	.050	PVC Coated White
01 13214 XXX 04	103.5"	49"	.050	Brookville Silver (other colors avail.)

FLAT SIDEWALL PANEL – PLATE VAN – UNPUNCHED

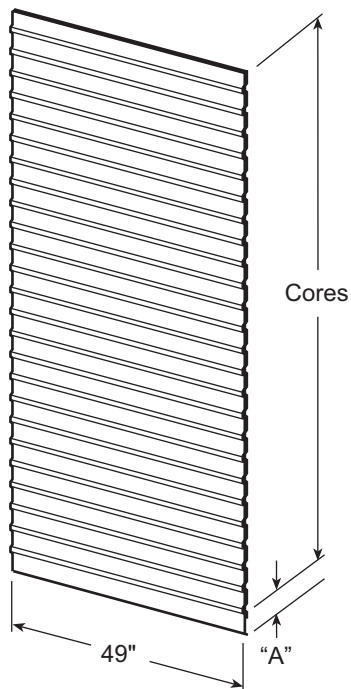
Stoughton Number	"A"	"B"	Thickness	Remarks
04 16654 001 01	112"	49"	.144	Mill Finish
04 16654 126 00	126"	49"	.144	Prepainted White

MIRROR STAINLESS PANELS

Stoughton Number	"A"	"B"	Thickness	Remarks
00 14000 144 49	144"	49"	.036	Side Panel
00 14036 120 36	120"	36"	.036	Nose Panel

Z PANEL

Stoughton Number	"A"	"B"	Thickness	Remarks
01 22503 XX6 00	109"	47 3/8"	.255	Z "G" Panel – White
01 22503 XX6 02	109"	47 3/8"	.255	Z "G" Panel – Fleet Gray



Corrugations (75% of Actual Size)

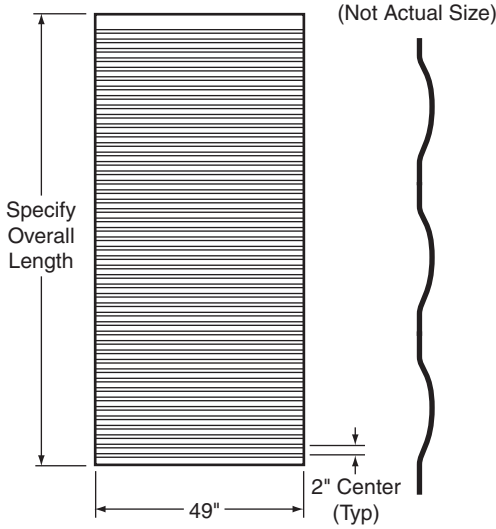
CORRUGATED SIDEWALL PANEL UNPUNCHED

Stoughton Number	Cores	Width	Thickness	Remarks	"A"
01 08561 110 01	23	49"	.050	Prepainted White Alum.	3 1/2"
01 08561 105 01	24	49"	.050	Prepainted White Alum.	3 1/2"
01 08215 XXX 00	25	49"	.050	Prepainted White Alum.	3 1/2"
01 13757 X04 00	23	49"	.050	Prepainted White Alum.	4 1/2"
01 13757 X06 00	24	49"	.050	Prepainted White Alum.	4 1/2"
01 13757 X11 00	25	49"	.050	Prepainted White Alum.	4 1/2"

"A" – Bottom of panel to center of first core

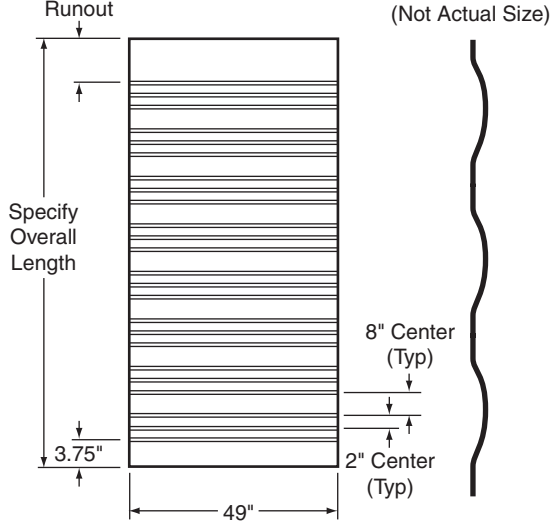
Call with trailer VIN (Serial Number) for correct application

SIDEWALL PANELS Dorsey



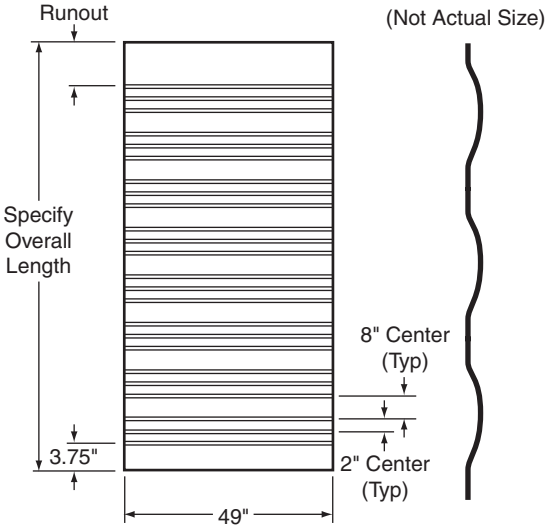
SIDE PANEL, CORR, WHT, ALUM

Stoughton Number
DOR-SD-36-919-13



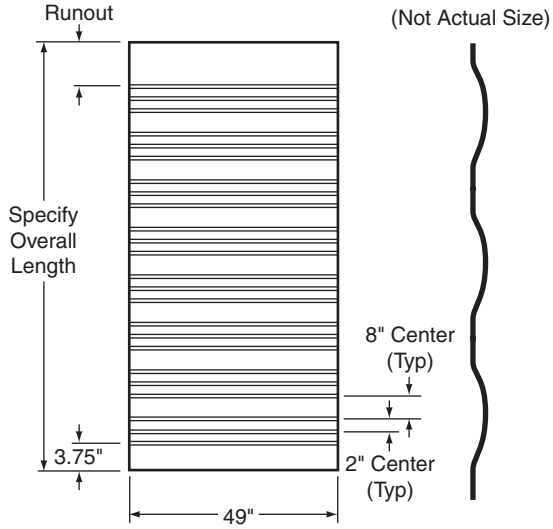
SIDE PANEL, CORR, MILL, 24 CORR

Stoughton Number
DOR-SD-38-503-24



SIDE PANEL, CORR, GRAY, 24 CORR

Stoughton Number
DOR-SG-38-503-24

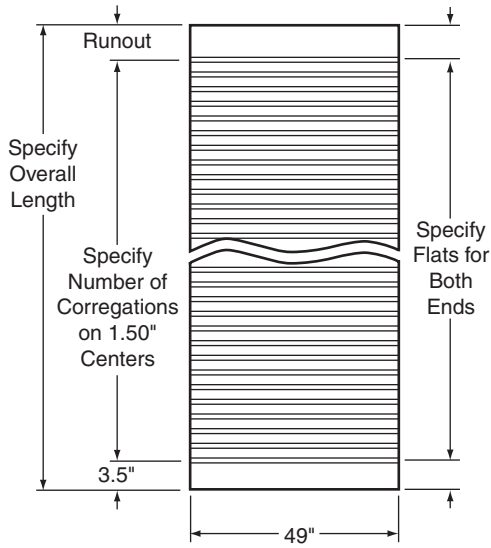


SIDE PANEL, CORR, WHT, 24 CORR

Stoughton Number
DOR-SW-38-503-24

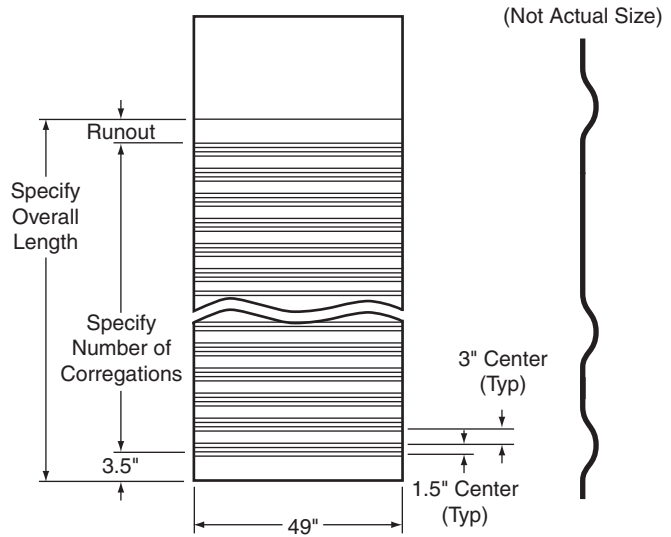
SIDEWALL PANELS

Fruehauf



SIDE PANEL, CORR, WHT, 66"

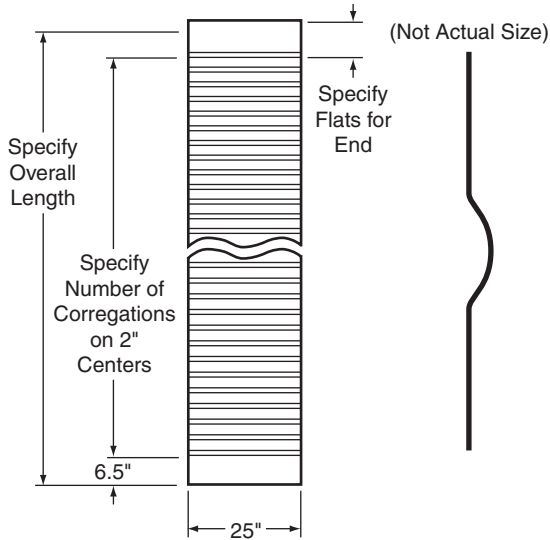
Stoughton Number
FRU#WCC8010-2FW



SIDE PANEL, REEFER, CORR, ENDURO

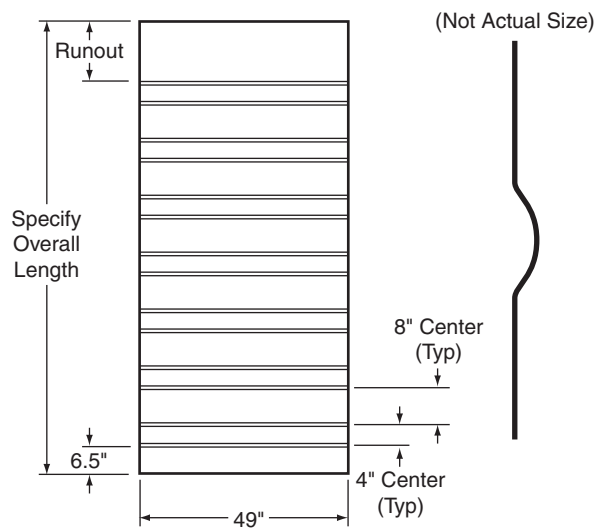
Stoughton Number
FRU#WCF5519

Great Dane



SIDE PANEL, CORR

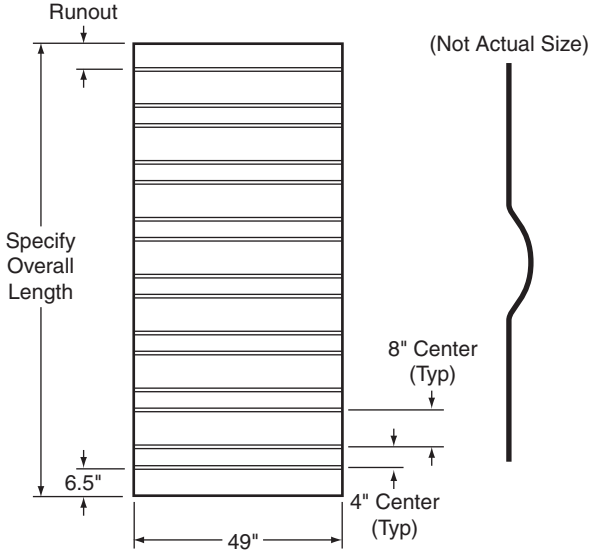
Stoughton Number
GD#11297
GD#11298
GD#11299



SIDE PANEL, CORR, WHT, ALUM

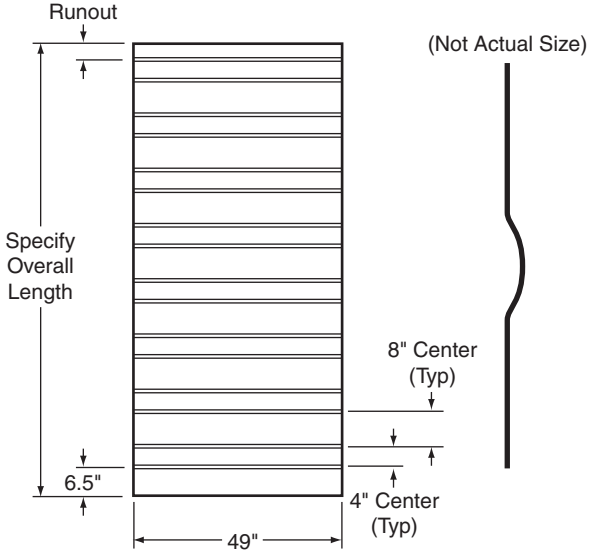
Stoughton Number
GD#11300

SIDEWALL PANELS Great Dane



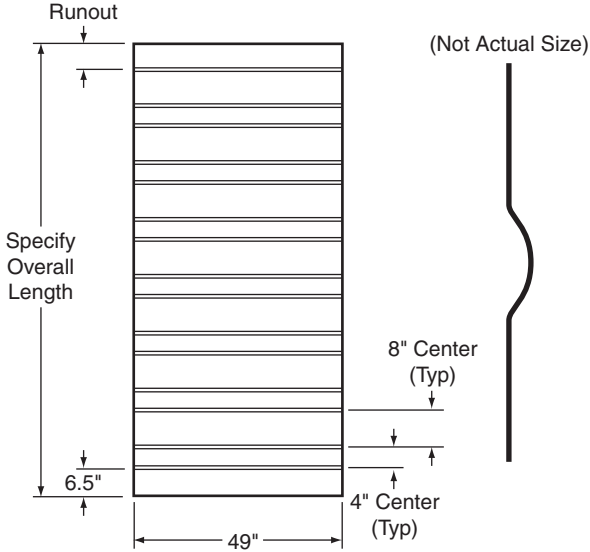
SIDE PANEL, CORR, WHT, ALUM

Stoughton Number
GD#11301



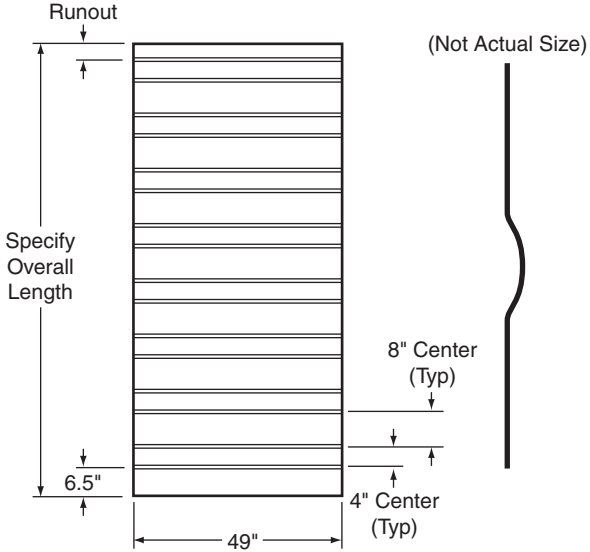
SIDE PANEL, CORR, WHT, ALUM

Stoughton Number
GD#11302



SIDE PANEL, CORR, WHT, ALUM

Stoughton Number
GD#11304

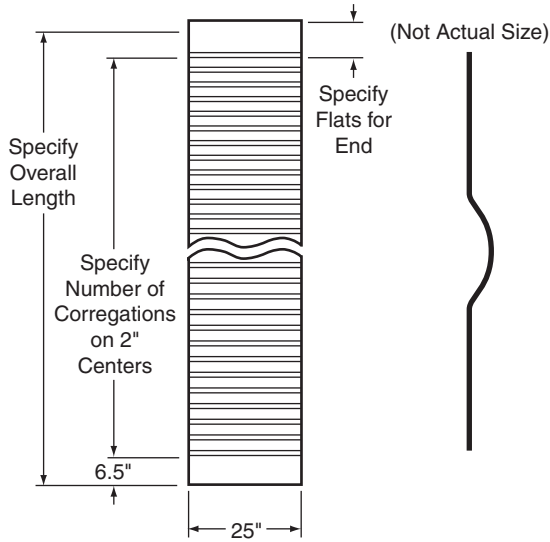


SIDE PANEL, CORR, WHT, ALUM

Stoughton Number
GD#11305

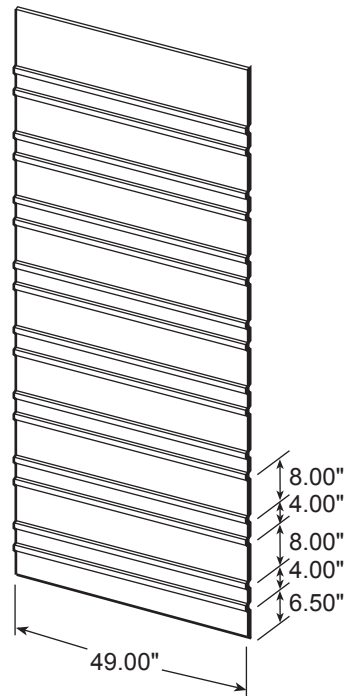
SIDEWALL PANELS

Great Dane



SIDE PANEL, CORR

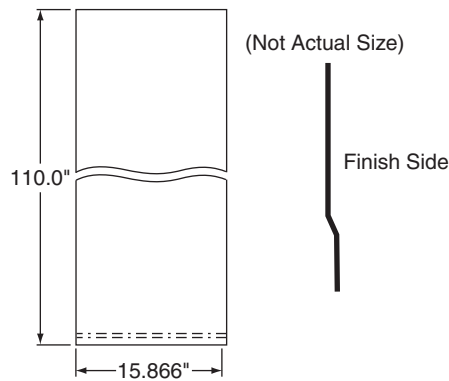
Stoughton Number
GD#11312
GD#11313



SUPER SEAL SIDE PANEL, 16 CORR

Stoughton Number
GD#0832768701788

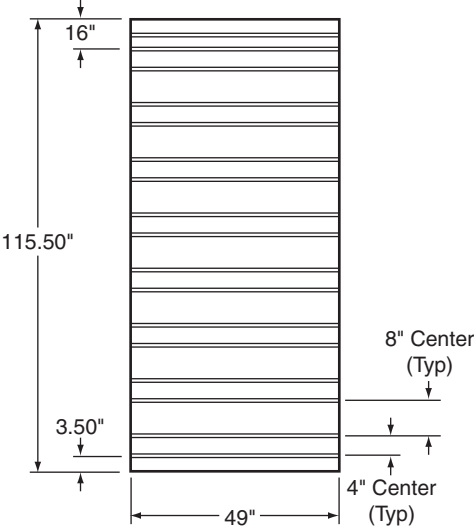
Manac



SIDE PANEL, WHITE, 49" x 110"

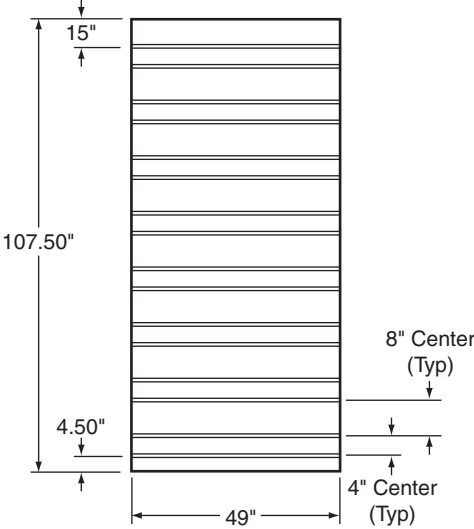
Stoughton Number
MANAC#579-067

SIDEWALL PANELS Trailmobile



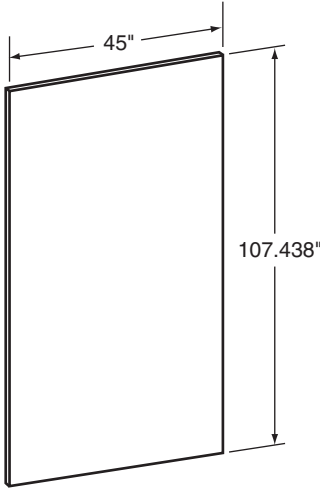
SIDE PANEL, CORR, WHT, ALUM

Stoughton Number
TM700-513-18-26



SIDE PANEL, CORR, WHT, ALUM

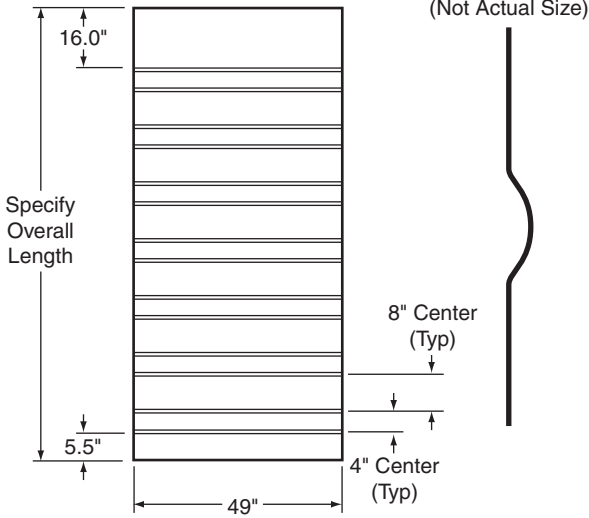
Stoughton Number
TM700-513-27-26



SIDE PANEL,
45" x 107.44" x 0.236"

Stoughton Number
TM700-513-38

Utility



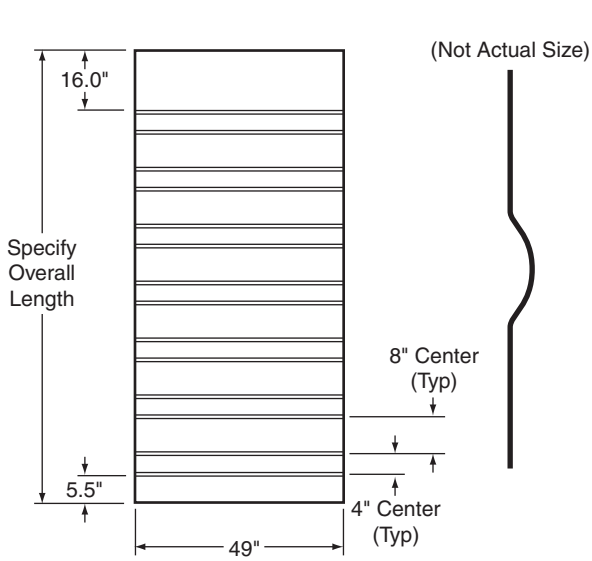
SIDE PANEL W/PVC, CORR, PPW

Stoughton Number
UT-03-6001-0-103

"Dorsey," "Fruehauf," "Great Dane," "Hyundai," "Kentucky," "Lufkin," "Monon," "Manac," "Pines," "Strick," "Trailmobile," "Utility," "Vanguard Trailer," and "Wabash" are trademarks of their respective owners and are used only to identify corresponding part numbers of Stoughton Part Sales, LLC. Stoughton Part Sales, LLC is not affiliated with the owners of these trademarks.

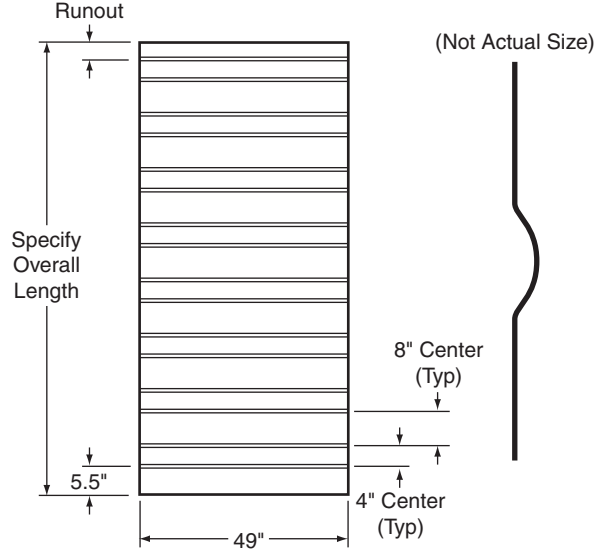
SIDEWALL PANELS

Utility



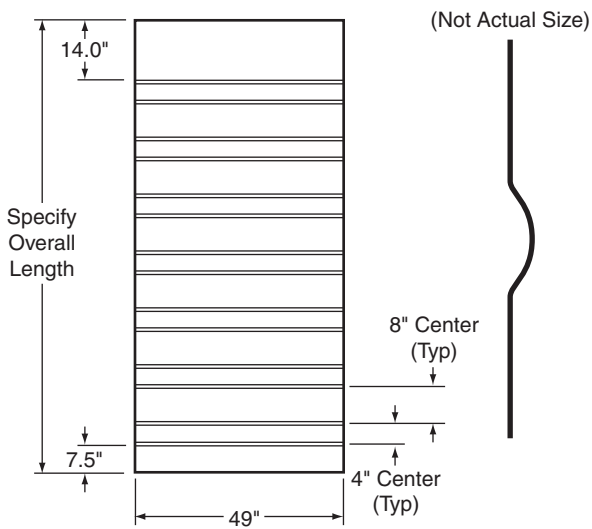
SIDE PANEL, CORR, PPW

Stoughton Number
UT-03-6001-0-104



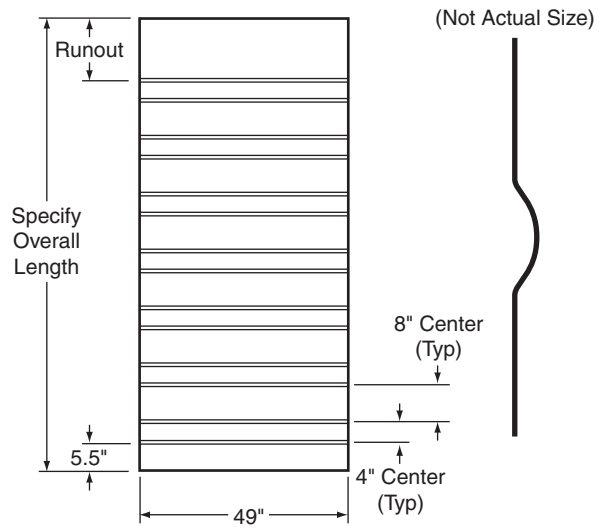
SIDE PANEL, CORR, WHT, ALUM

Stoughton Number
UT-03-6001-0-105



SIDE PANEL W/PVC, CORR, POLAR WHT

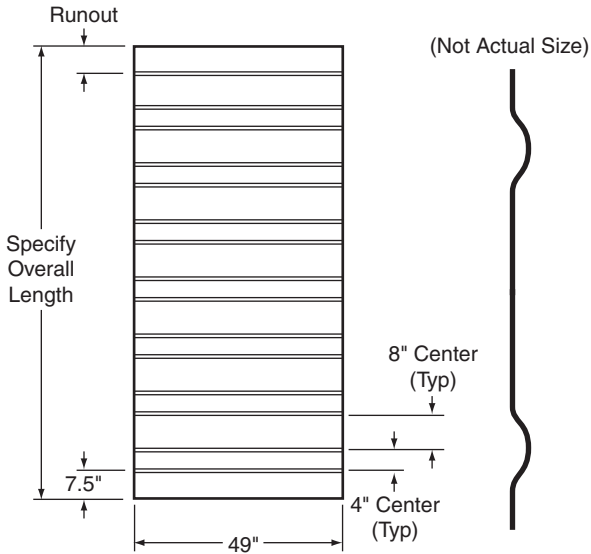
Stoughton Number
UT-03-6001-0-183



SIDE PANEL, CORR, WHT, ALUM

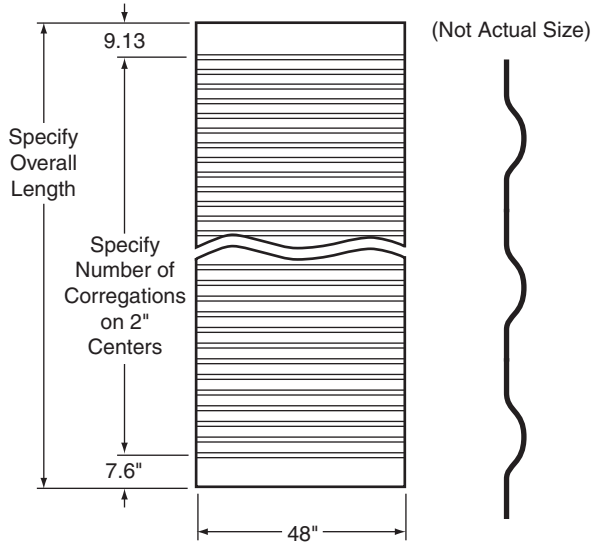
Stoughton Number
UT-03-6001-0-098

SIDEWALL PANELS Wabash



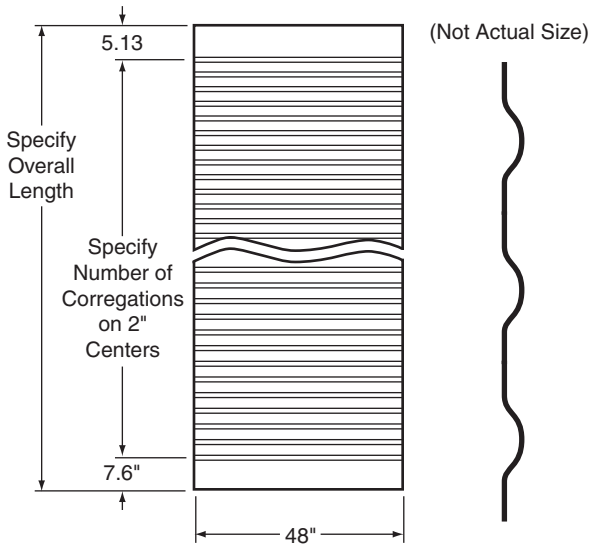
SIDE PANEL, CORR, WHT, ALUM

Stoughton Number
WAB-01 C 00059



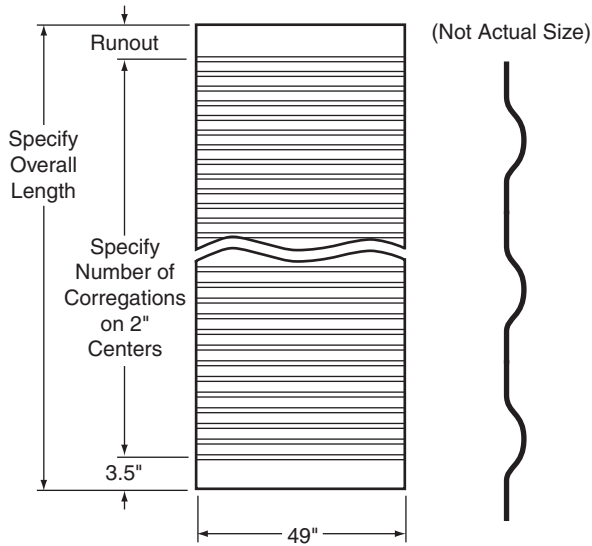
SIDE PANEL, CORR, SS

Stoughton Number
WAB-01 C00062



SIDE PANEL, CORR, SS, 100.625"

Stoughton Number
WAB-01 C00205

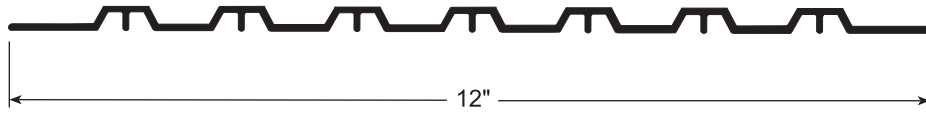


SIDE PANEL, CORR, PPW

Stoughton Number
WAB-1C00003

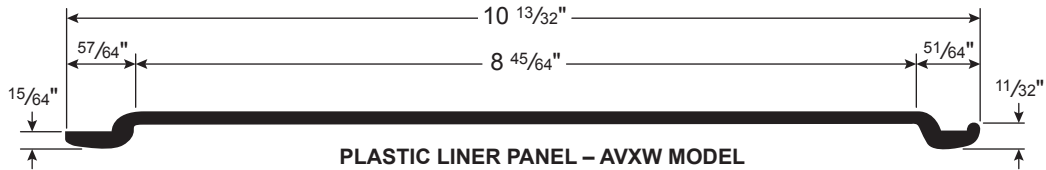
SCUFF LINERS AND WALL LINERS

Stoughton



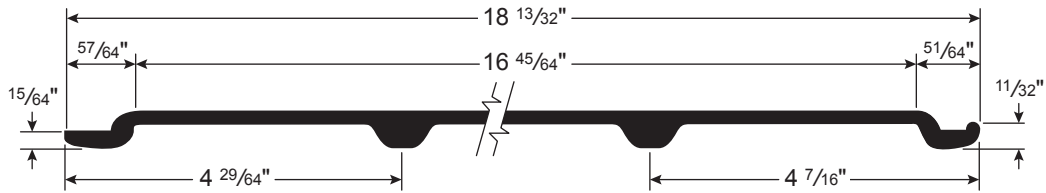
ALUMINUM SCUFF

Stoughton Number	Length	Material	Remarks
02 11885 624 12	624"	6061-T6 Alloy	.080 thickness



PLASTIC LINER PANEL – AVXW MODEL

Stoughton Number	Width	Length
04 20007 096 00	10.4"	96"

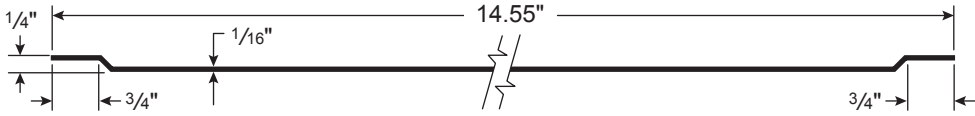


PLASTIC LINER PANEL – AVXW MODEL

Stoughton Number	Width	Length
04 21804 096 00	18.4"	96"

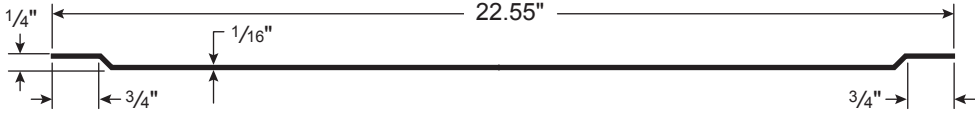
SCUFF LINERS AND WALL LINERS

Stoughton



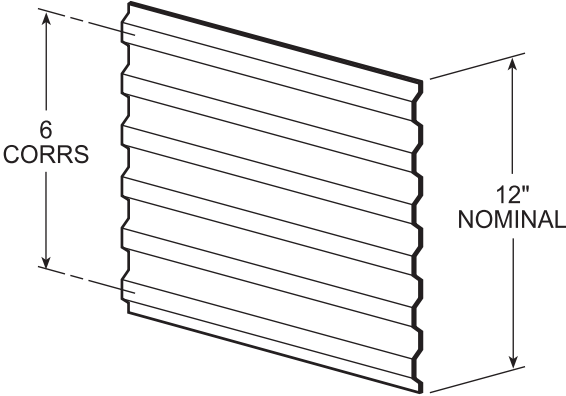
DYMONDPLY FIBERGLASS LINER PANEL – AVXW MODEL

Stoughton Number	Width	Length
04 23727 096 00	14.55"	96"



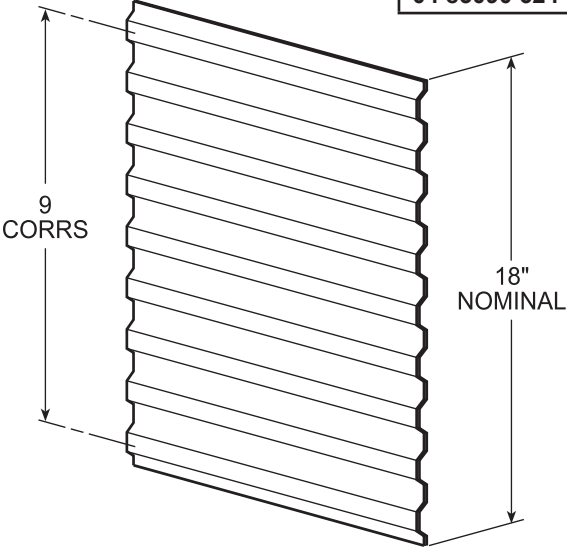
DYMONDPLY FIBERGLASS LINER PANEL – AVXW MODEL

Stoughton Number	Width	Length
04 23728 096 00	22.55"	96"



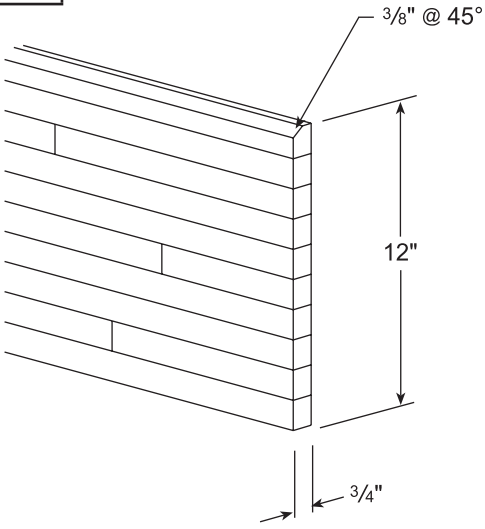
CORRUGATED SCUFF

Stoughton Number	Length
04 85090 564 12	564"
04 85090 624 12	624"



"TUF-SCUF"

Stoughton Number	Length
04 85102 564 18	564"
04 85102 624 18	624"

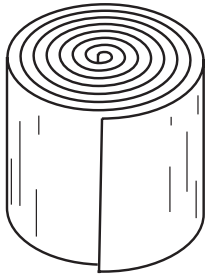


HARDWOOD SCUFF

Stoughton Number	Length
04 85275 620 00	624"

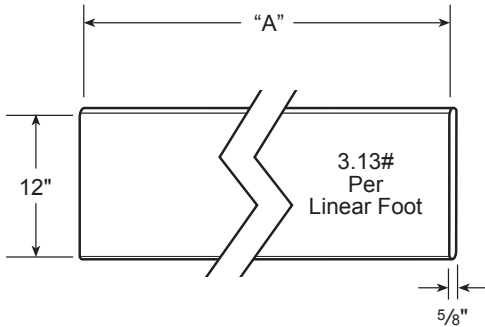
SCUFF LINERS AND WALL LINERS

Stoughton



FIBERGLASS SCUFF LINERS – KEMLITE

Stoughton Number	Description
CKAFS 12X53	.090 Thick x 12" x 53' Scuff Band
CKAFS 16X48	.090 Thick x 16" x 48' Scuff Band
CKAFS 16X53	.090 Thick x 16" x 53' Scuff Band
CKAFS 24X48	.090 Thick x 24" x 48' Scuff Band
CKAFS 24X53	.090 Thick x 24" x 53' Scuff Band
CKAFS 48X8	.090 Thick x 48" x 96" Scuff Band
CKFAS 48X9	.090 Thick x 48" x 108" Scuff Band
CKAFS 48X48	.090 Thick x 48" x 48' Scuff Band
CKAFS 48X53	.090 Thick x 48" x 53' Scuff Band
CKBES385X96X53	.090 Thick x 96" Wall Liner – Precut to 624"
CKBES385X96X100	.090 Thick x 96" Wall Liner – Precut to 100'
CKBES485X12X53	.125 Thick x 12" x 53' Scuff Plate



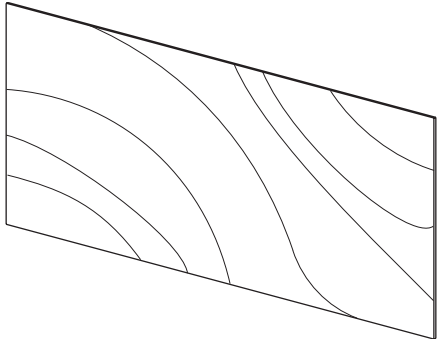
PLASTIC SCUFF

Stoughton Number	Color	"A"	Remarks
ETSCUFF 12X28	Black	28'	Beveled Top Edge
ETSCUFF 12X53	Black	52'	Beveled Top Edge
ETSCUFF 18X48WT	White	48'	Beveled Top Edge
ETSCUFF 18X52BL	Black	52'	Beveled Top Edge
ETSCUFF 18X53WT	White	52'	Beveled Top Edge
ETSCUF 5/8" 53WT	White	52'	Beveled Top Edge
ETSCUF 3/8" 52BL	Black	52'	Lo-Pro

Sold in rolls. Call for other Scuff items available in plastic.

Stoughton Number	Length	Remarks
ETSCUFF Z BLK	52"	Black
ETSCUFF Z WHT	52"	White

MISCELLANEOUS Stoughton



Note: Our aftermarket plywood liner is the same product we install in our new trailers. It is not lumberyard plywood.

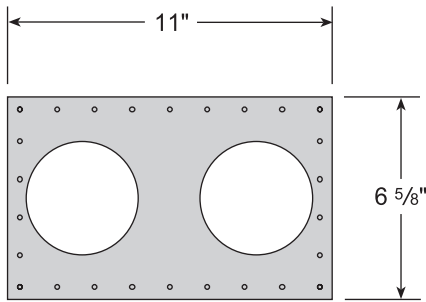
PLYWOOD LINING

Stoughton Number	Size	Grade	Remarks
04 92001 000 00	1/4" x 48" x 96"	B C	132 per Skid



PLYWOOD DIVIDER

Stoughton Number	Length	Remarks
AP 78491	96"	Plastic



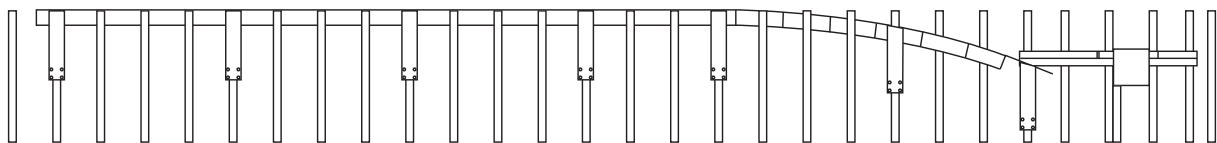
CARGO CUPS

Stoughton Number	Remarks
04 14722 000 00	Cover
04 85625 001 00	J.B. Hunt with O-Ring

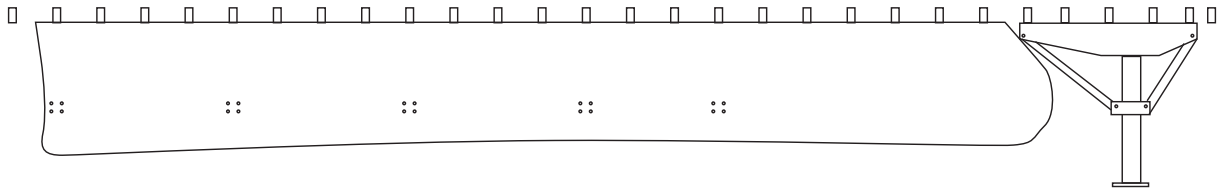
SIDEWALL SKYLITE (with translucent panel)

Stoughton Number	Remarks
01 22238 000 00	Cover Panel
04 85708 001 00	Lens

Top Down View



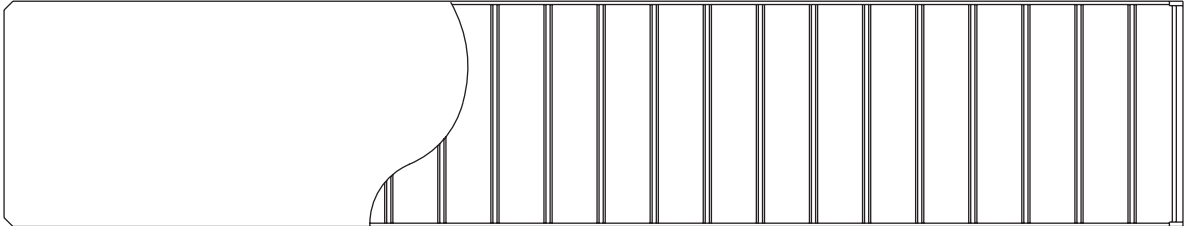
Side View



SIDE SKIRT, GENERATION 2 GREENWING*

Stoughton Number
04 86970 004 00

* Part number represents two skirts and all hardware necessary to install on one 53' van.



Roof Bows 3-1

 Stoughton..... 3-1

 Dorsey..... 3-2

 Fruehauf..... 3-2

 Great Dane 3-3

 Hyundai..... 3-5

 Lufkin 3-6

 Manac 3-6

 Monon 3-6

 Pines 3-7

 Strick 3-7

 Trailmobile..... 3-8

 Utility 3-8

 Wabash 3-9

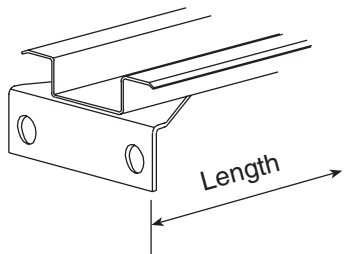
Roof Bow Fasteners..... 3-10

 Stoughton..... 3-10

Roofs 3-11

 Stoughton..... 3-11

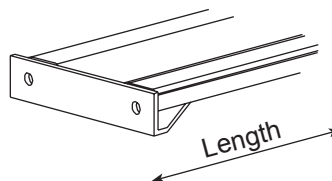
ROOF BOWS Stoughton



Stoughton Number	Length	Material
04 20019 002 00	92 3/4"	Steel
23 06636 000 00*	98 3/4"	Steel
23 04006 000 00	98 1/4"	Steel
* 23 04006 001 00	99 1/4"	Steel
23 03117 000 00	98 3/4"	Aluminum

*

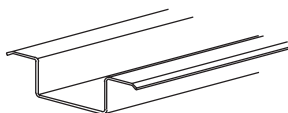
* Skid quantity is 198 pieces



Stoughton Number	Length	Material	Remarks
04 20020 001 00	98 3/4"	Steel*	No holes in end clips
04 22599 001 00	98 3/16"	Steel	ZG Only
* 23 04039 000 00	98 3/16"	Aluminum	J.B. Hunt Only

*

* Replaces 23 08465 000 00

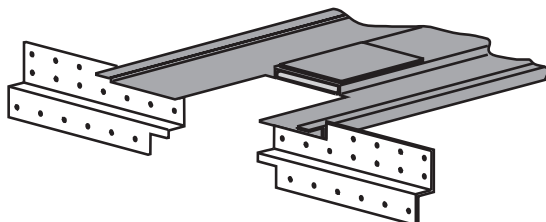


ROOF BOW

Stoughton Number	Length	Material
* 04 10207 000 00	97 15/16"	Steel
* 04 10207 002 00	99 5/16"	Steel
04 07660	98 3/4"	Steel

*

*

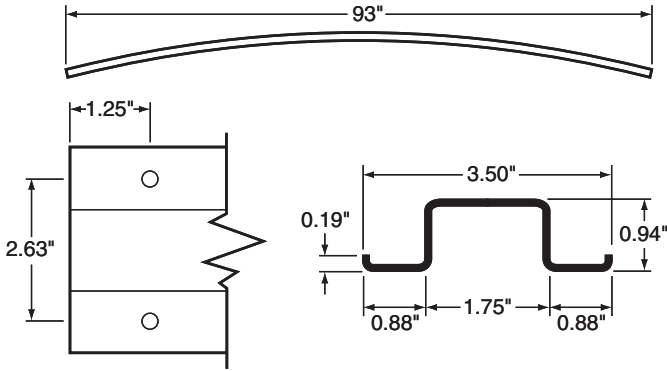


NOTE: Intermediate Header Assemblies at Stacking Post, see Section 15

* Refers to Container

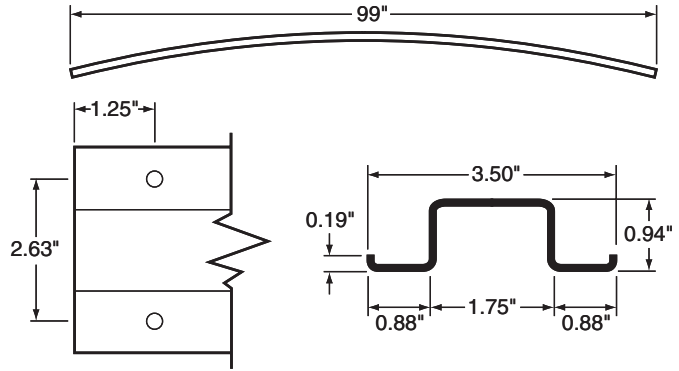
ROOF BOWS

Dorsey



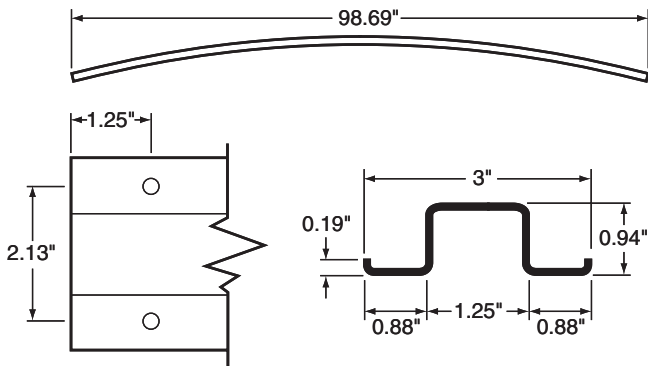
ROOF BOW, CAMBERED W/HOLES, 93"

Stoughton Number
DOR-1207863092



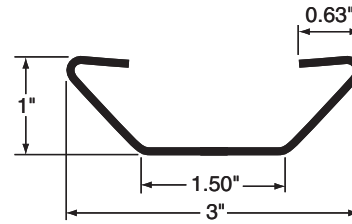
ROOF BOW, DORSEY STYLE, 99"

Stoughton Number
DOR-1208898099



ROOF BOW, HAT STYLE, 98-11/16"

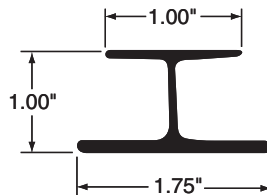
Stoughton Number
DOR-1209108



ROOF BOW, 16 GA, 98-5/8"

Stoughton Number
DOR-121069907

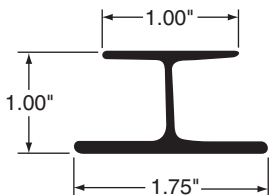
Fruehauf



ROOF BOW, CAMBERED, ALUM, 98.5"

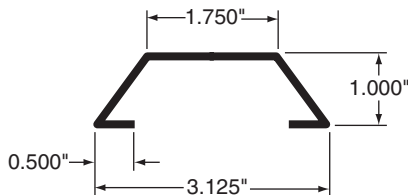
Stoughton Number
FRU#RCC-8431-3

ROOF BOWS Fruehauf



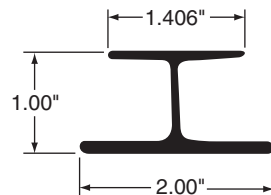
ROOF BOW, CAMBERED, ALUM, 92.75"

Stoughton Number
FRU#RCE-0169-1



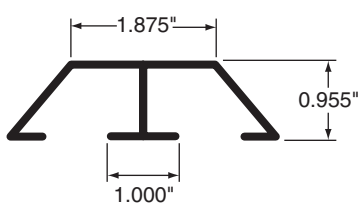
ROOF BOW, ANTI-SNAG, ALUM, 98.5"

Stoughton Number
FRU#RCF-3718-1



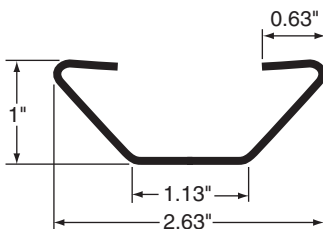
ROOF BOW, CAMBERED, ALUM, 98.5"

Stoughton Number
FRU#RCF-4048-1



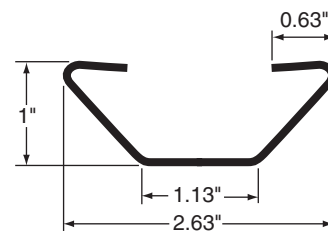
ROOF BOW, ANTI-SNAG, ALUM, 98.5"

Stoughton Number
FRU#RCF-4335-4



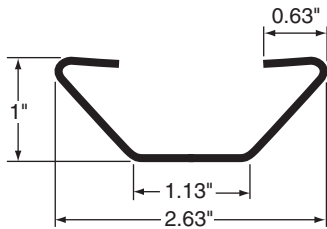
ROOF BOW, CAMBERED, ALUM, 91-1/8"

Stoughton Number
FRU#RCF-8426-1



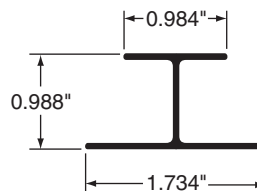
ROOF BOW, CAMBERED, ALUM, 97 1/8"

Stoughton Number
FRU#RCF-8426-2



ROOF BOW, ANTI-SNAG, ALUM, 99"

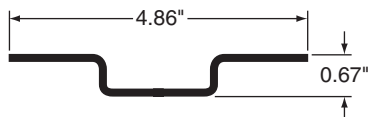
Stoughton Number
FRU#RCF-8426-3



ROOF BOW, I-BEAM

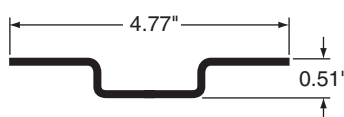
Stoughton Number
FRU#STK20511

Great Dane



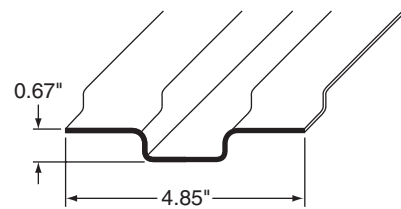
ROOF BOW, ALUM 92.25",

Stoughton Number
GD#08581



ROOF BOW, ALUM, 98-39/64"

Stoughton Number
GD#14113

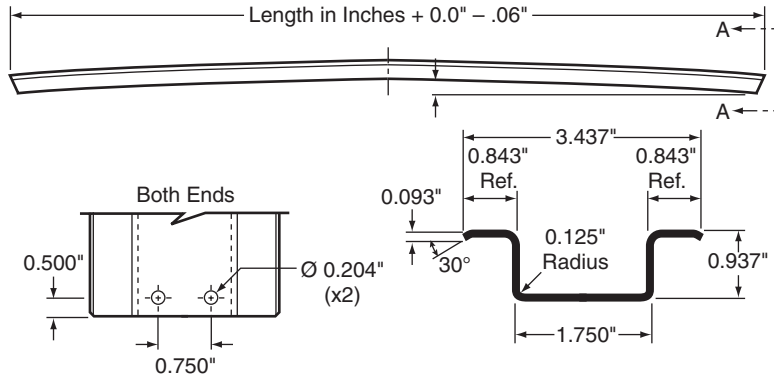


ROOF BOW, CAMBERED, GALV, 98.61"

Stoughton Number
GD#18380

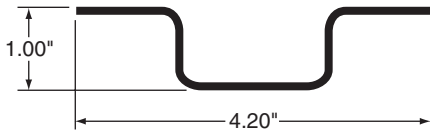
ROOF BOWS

Great Dane



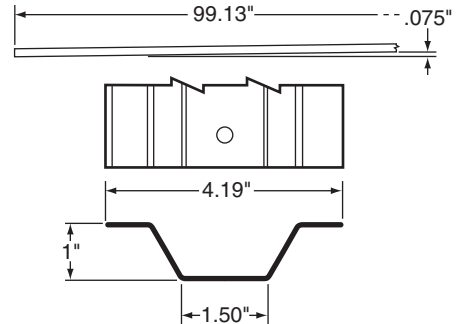
3/4" ROOF BOW, CAMBERED, 98.15"

Stoughton Number
GD#41203002



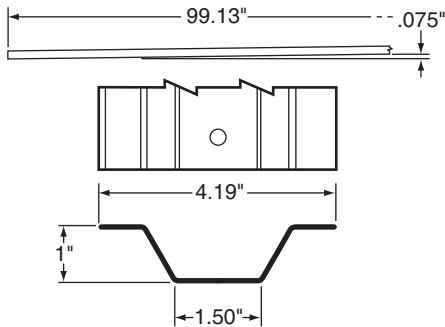
ROOF BOW, ALUM, 98.16"

Stoughton Number
GD#41203006



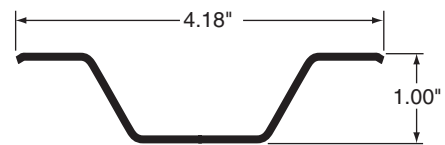
ROOF BOW, STEEL, 91.8"

Stoughton Number
GD#41203008



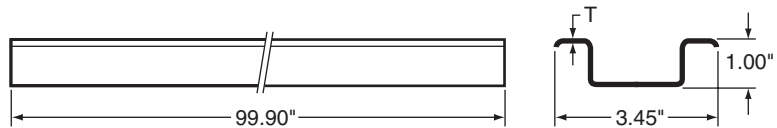
3/4" ROOF BOW, ARCH, STEEL 98.62"

Stoughton Number
GD#69102526



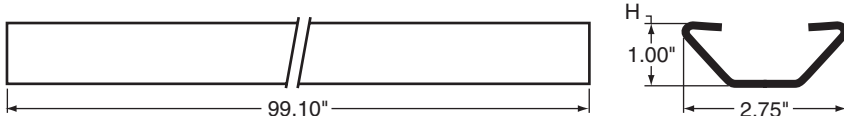
1/4" ROOF BOW, CAMBERED, 98.63"

Stoughton Number
GD#69201602



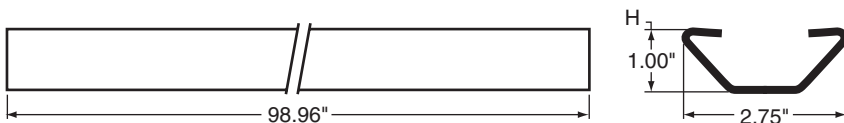
ROOF BOW, 3.45" W, 99.9"

Stoughton Number
HY#1000-2725



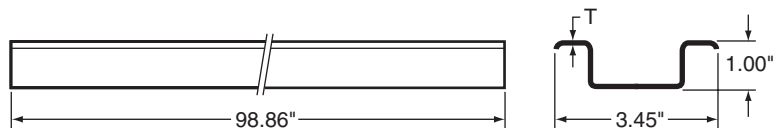
ROOF BOW, ANTI-SNAG, 18 GA, 99.10"

Stoughton Number
HY#1000-3944



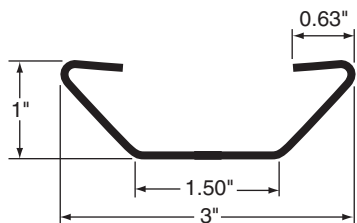
ROOF BOW, ANTI-SNAG, 18 GA, 98.86"

Stoughton Number
HY#1000-3953



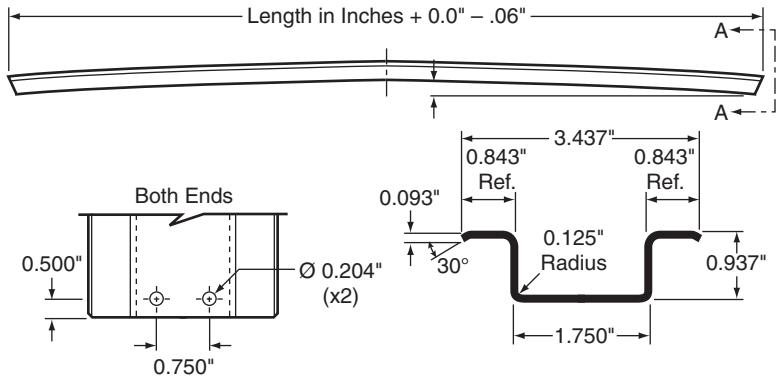
ROOF BOW, 3.45" W, 98.86"

Stoughton Number
HY#1000-6251



ROOF BOW, ANTI-SNAG, STEEL, 99"

Stoughton Number
HY#2000-2799



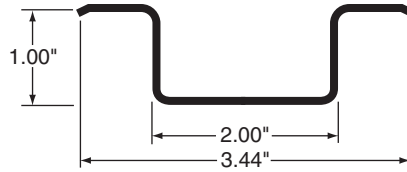
ROOF BOW, FLAT, W/HOLES, 99"

Stoughton Number
HY#9000-2801

"Dorsey," "Fruehauf," "Great Dane," "Hyundai," "Kentucky," "Lufkin," "Monon," "Manac," "Pines," "Strick," "Trailmobile," "Utility," "Vanguard Trailer," and "Wabash" are trademarks of their respective owners and are used only to identify corresponding part numbers of Stoughton Part Sales, LLC. Stoughton Part Sales, LLC is not affiliated with the owners of these trademarks.

ROOF BOWS

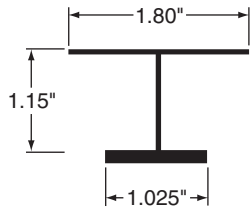
Lufkin



3.44" ROOF BOW, HAT STYLE, 98.88"

Stoughton Number
LUF-E7072822

Manac



ROOF BOW, I-BEAM, 98.25" LONG

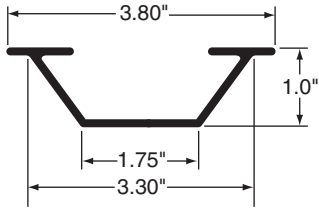
Stoughton Number
MANAC#502-407C



ROOF BOW, ANTI SNAG, 98.25" LONG

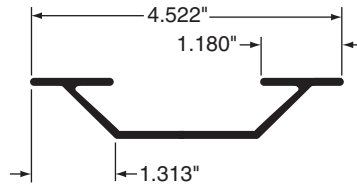
Stoughton Number
MANAC#502-420

Monon



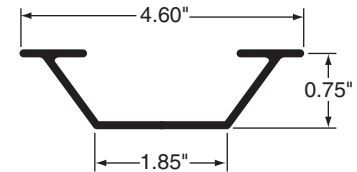
ROOF BOW, ANTI SNAG, ALUM, 99"

Stoughton Number
MON-AI015486



ROOF BOW, CONTAINER

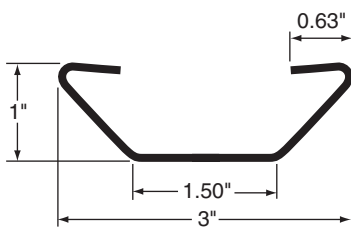
Stoughton Number
MON-AX040364



Aluminum MONON for Plate Container

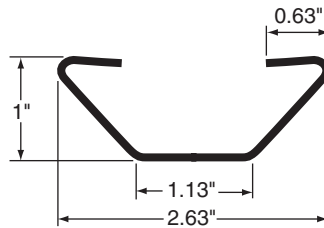
ROOF BOW, ANTI-SNAG, 99"

Stoughton Number
MON-AX042110-099



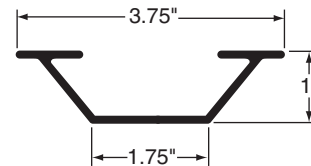
ROOF BOW, ANTI-SNAG, 99"

Stoughton Number
MON-V01-107



99" ROOF BOW

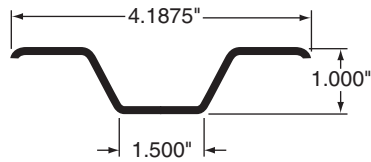
Stoughton Number
MON-V07-109E



ROOF BOW, ALUM, 99"

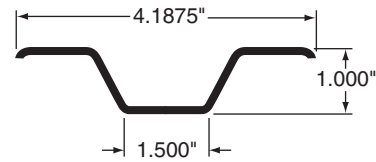
Stoughton Number
MON-V07-118-B

ROOF BOWS Pines



ROOF BOW, STEEL HAT, 99.25"

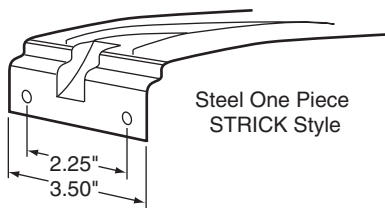
Stoughton Number
PINE RC14300



ROOF BOW, 99.125" W, 9/32" DIA HOLE

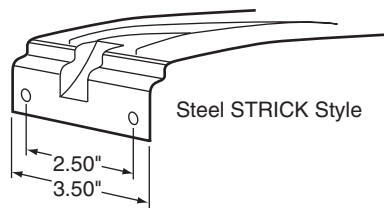
Stoughton Number
PINE RCB-2629

Strick



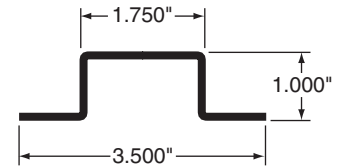
ROOF BOW, STD ARCH, GALV, 92.75"

Stoughton Number
STRAA39C000201



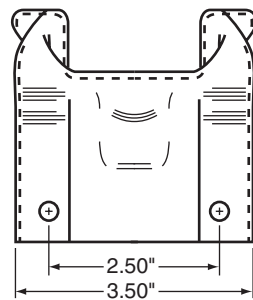
ROOF BOW, STD ARCH, GALV, 98.88"

Stoughton Number
STRAA39C00120100
STR#27820



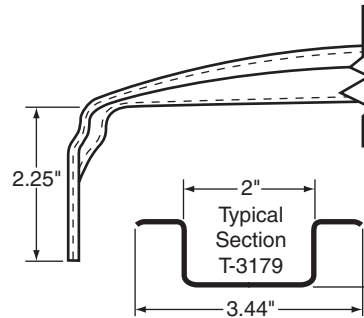
ROOF BOW, 98.5" L

Stoughton Number
STRAA82C000908E5



ROOF BOW, HIGH ARCH, GALV, 98.88"

Stoughton Number
STRAA39C00210100
STR#01510



ROOF BOW, HIGH ARCH, GALV, 100.38"

Stoughton Number
STRAA39C00210400
STR#01512

ROOF BOW, HIGH ARCH, GALV, 92.94"

Stoughton Number
STRAA39C00210200
STR#01511

ROOF BOW, HIGH ARCH, GALV, 99.44"

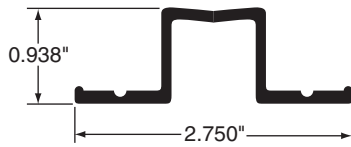
Stoughton Number
STRAA39C00210500
STR#01513

ROOF BOW, HIGH ARCH, GALV, 99.13"

Stoughton Number
STRAA39C00210300
STR#48533

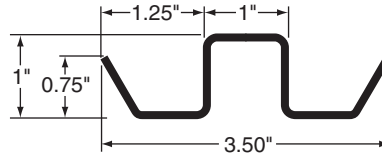
ROOF BOWS

Trailmobile



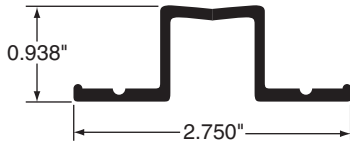
ROOF BOW, HAT, ALUM, 99.125"

Stoughton Number
TM514-3-145-A-2



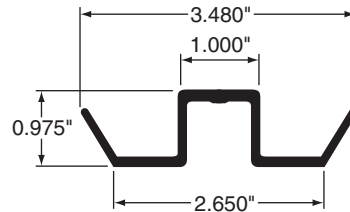
ROOF BOW, 16 GA STEEL, 99.125" L

Stoughton Number
TM514-3-152B



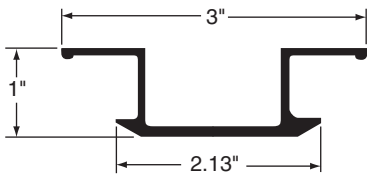
ROOF BOW, 100" LONG

Stoughton Number
TM90-4-1801-0100



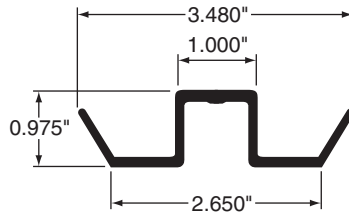
ROOF BOW, CAMBERED, ALUM, 99.125"

Stoughton Number
TM90-4-1718-0-99



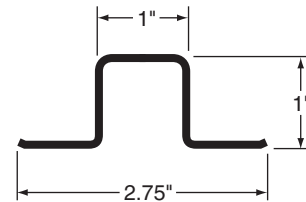
ROOF BOW, TRAILMOBILE, ALUM, 93.5"

Stoughton Number
TM90-4-703-0-93



ROOF BOW, CAMBERED, ALUM, 99.125"

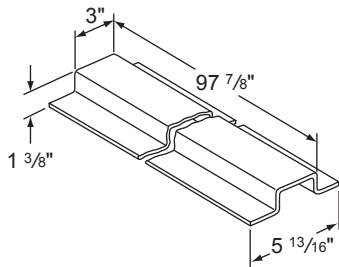
Stoughton Number
TM9514-3-11-2



ROOF BOW, 16 GA STEEL, 99.125" L

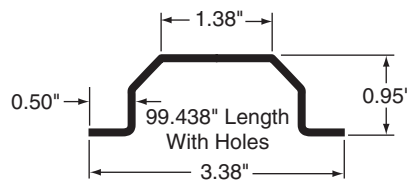
Stoughton Number
TM9514-3-78B

Utility



ROOF BOW, GALV, 14 GA, 99.5" L

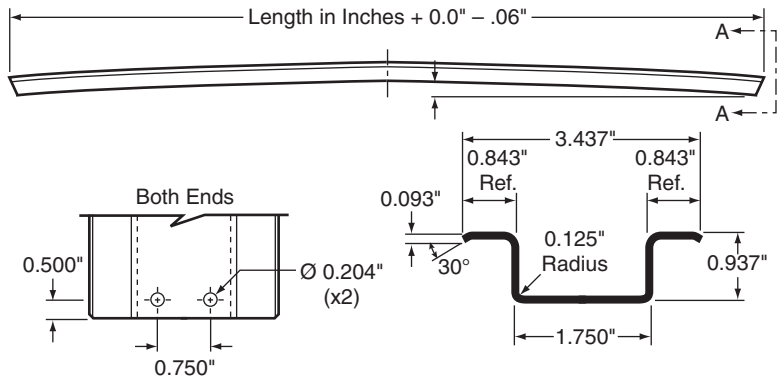
Stoughton Number
UT-03-1600-0-040



Utility Steel Cambered Roof Bow

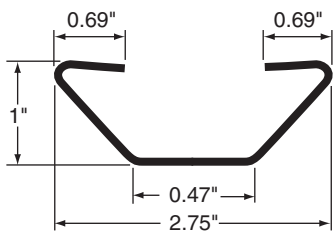
ROOF BOW, CAMBERED, STEEL, 99.38"

Stoughton Number
UT-03-1600-0-053
UT-03-1600-0-054



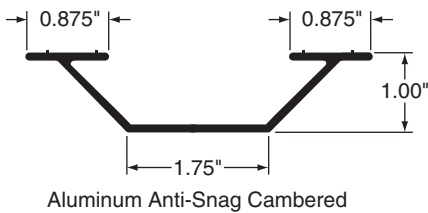
ROOF BOW, WABASH STYLE, FLAT, 99"

Stoughton Number
WAB-03011215



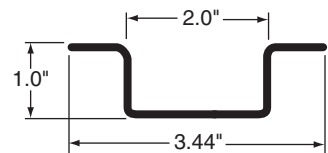
ROOF BOW, ANTI-SNAG, 99.375"

Stoughton Number
WAB-07200003



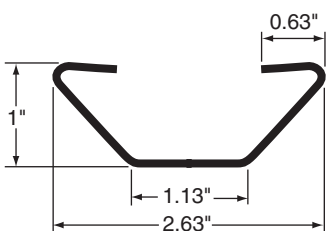
ROOF BOW, ANTI-SNAG, STEEL, 99"

Stoughton Number
WAB-07200005



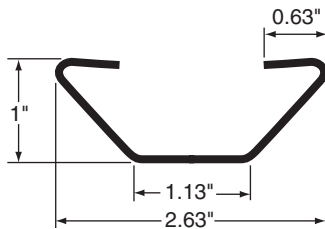
HAT STYLE ROOF BOW, 16 GA, 99"

Stoughton Number
WAB-07200012



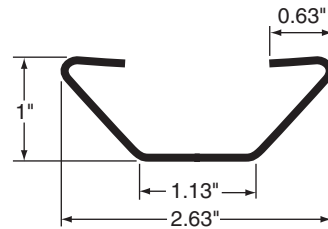
ROOF BOW, ANTI-SNAG, STEEL, 99"

Stoughton Number
WAB-07200028



1" ROOF BOW, 18 GA, 80GR, 98.75"

Stoughton Number
WAB-07200033

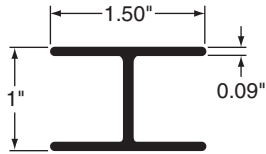


ROOF BOW, 18 GA GALV STEEL, 93.75"

Stoughton Number
WAB-07200040

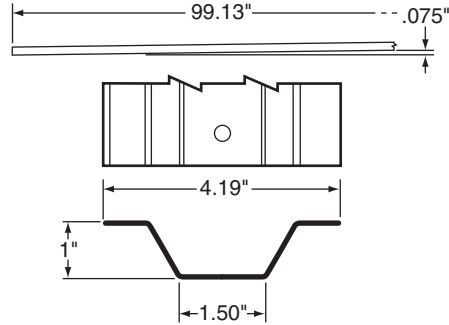
ROOF BOWS

Wabash



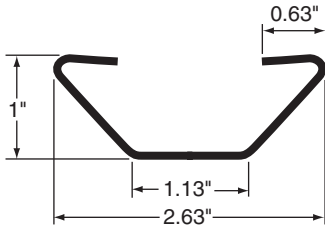
ROOF BOW, CAMBERED, 99"

Stoughton Number
WAB-07200043



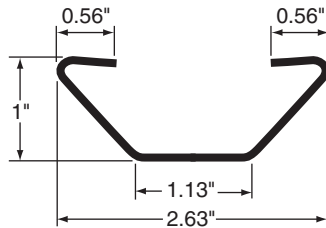
ROOF BOW, STEEL, 99.125"

Stoughton Number
WAB-07200074



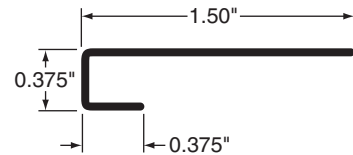
ROOF BOW, ANTI-SNAG, STEEL, 93"

Stoughton Number
WAB-07200079



2.675" ROOF BOW, 18 GA, 96"

Stoughton Number
WAB-07200106

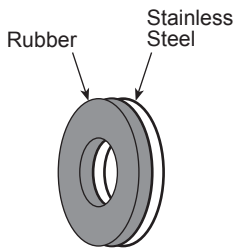


J-MOLDING, EXTRU ALUM, 120"

Stoughton Number
WAB-E0821200

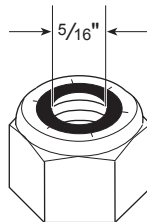
ROOF BOW FASTENERS

Stoughton



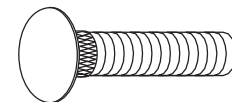
RUBBER/STEEL
WASHER - 5/16"

Stoughton Number	Remarks
04 96031 000 00	
04 96042 000 00	Z-Plate



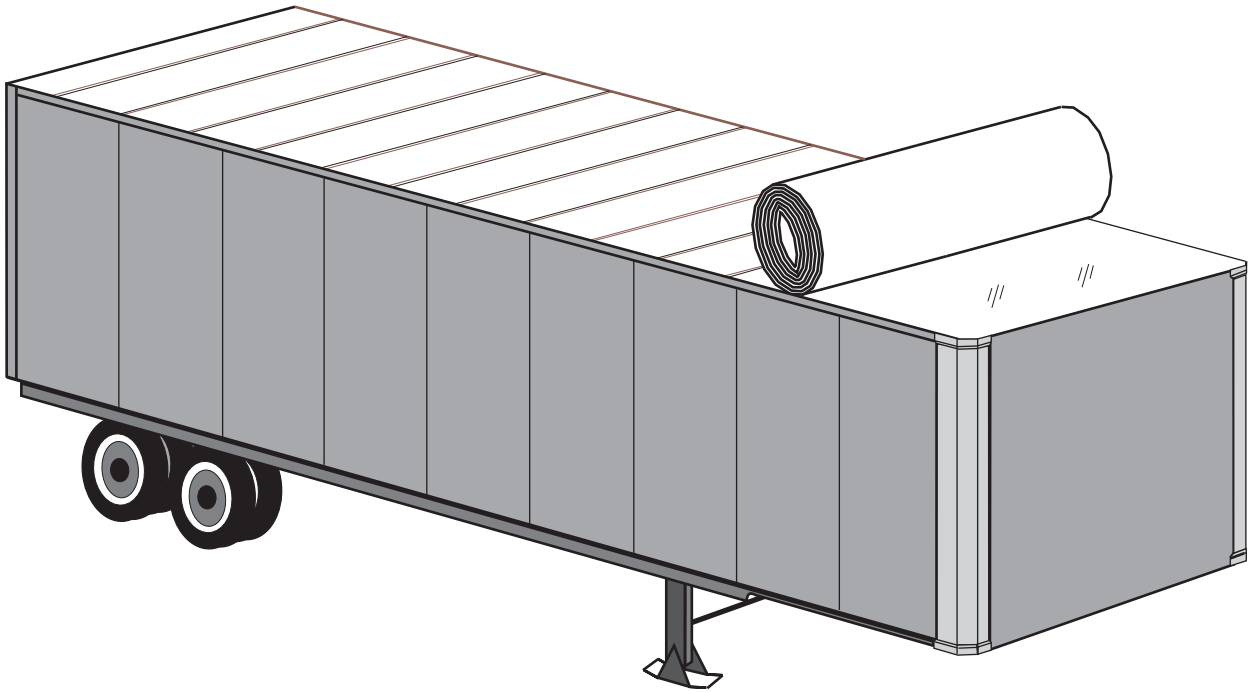
NYLON
LOCK NUT - 5/16"

Stoughton Number	Remarks
04 95536 000 00	
04 95549 000 00	Z-Plate



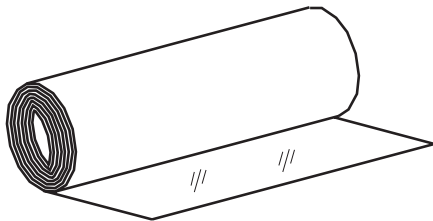
CARRIAGE BOLT

Stoughton Number	Remarks
04 95029 100 00	5/16" -18 x 1"
04 95075 100 00	Z-Plate



MASTER COILS

Stoughton Number	Width	Material
00 15040 103 00	103"	.040 Aluminum
LASCO Roof 103W	103"	.075 Translucent



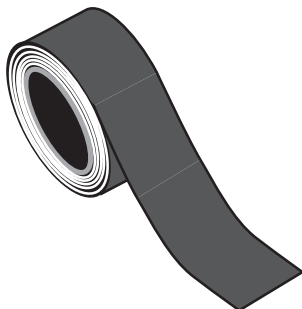
SPECIFIC LENGTHS

Stoughton Number	Width	Material	Length
01 07018 027 03	103"	.040 Aluminum	28'
01 07018 030 03	103"	.040 Aluminum	31'
01 07018 040 03	103"	.040 Aluminum	41'
01 07018 045 03	103"	.040 Aluminum	46'
01 07018 048 03	103"	.040 Aluminum	49'
01 07018 053 03	103"	.040 Aluminum	54'
01 07018 100 03	103"	.040 Aluminum	100'
00 15040 103 12	103"	.040 Aluminum	By the Foot
CKBES2508T1WX30	102"	.075 Translucent	30' for 28' Trailer
CKBES2508T1WX48+	102"	.075 Translucent	49' for 48' Trailer
CKBES2508T1WX53+	102"	.075 Translucent	54' for 53' Trailer
CKETR 102X53	102"	"ETR" Translucent	54' for 53' Trailer

ALUMINUM COIL "END CUTS"

Stoughton Number	Width	Material	Length
00 15040 102 12	102"	.040 Aluminum	Sold by the Linear Foot "Great Patch Material"

Note: This is production scrap. Call for availability.



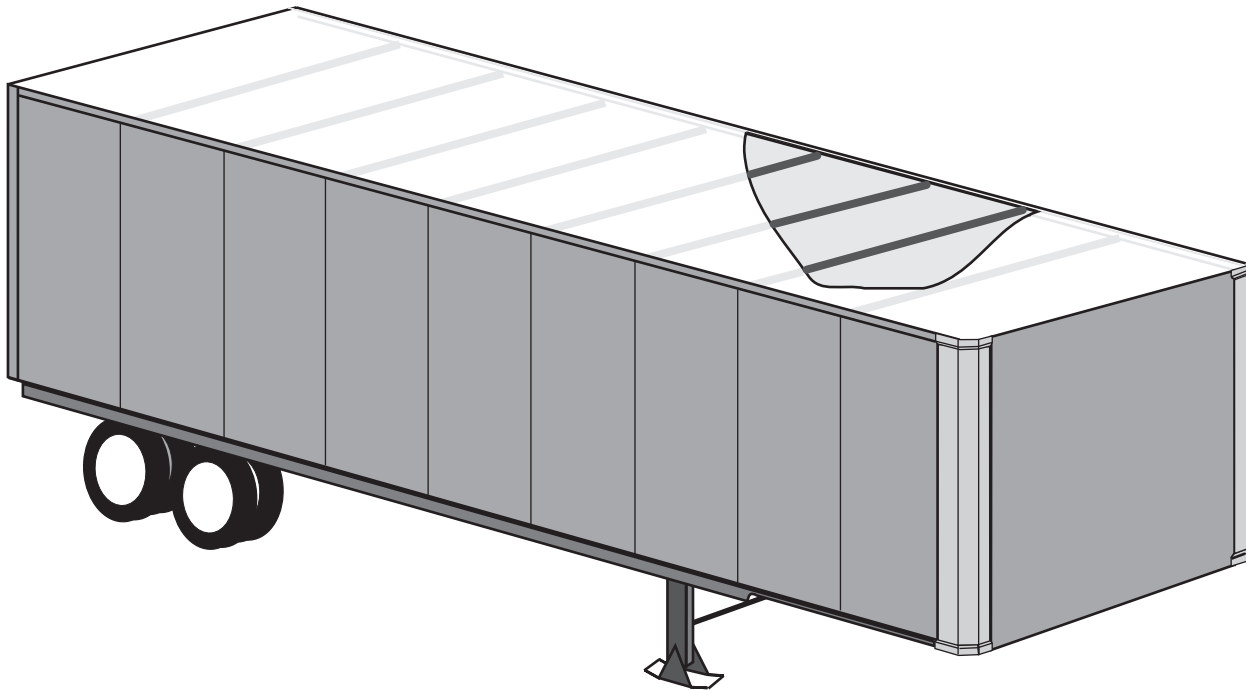
ROOF BOW TAPE

Stoughton Number	Length
04 85016 000 XX MP1858	Foam Tape 3/4" x 100' "Grip Tape" 1/8" x 5/8" x 65' Roll – 16 Per Case

ROOF EDGE SEALER TAPE

Stoughton Number	Length
04 85017 000 XX	Black Sealer Tape 1" x 50'

ROOFS Stoughton

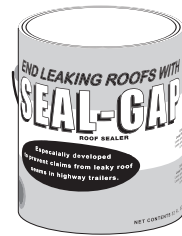


Note: Special lengths are available – CALL FOR QUOTE



Stoughton Number
CKTFIX

Contents (enough for six square feet, 3-ply repair)	
1	Quart of T-Mix
1	Tube of catalyst (1/2 oz)
1	18 sq. ft. piece of chopped strand mat
1	3' by 4' piece of embossed film
1	3' by 4' piece of smooth film
2	Mixing cups (1 pint)
2	Squeegees
2	Mixing sticks
1	Pair of gloves



SEAL-GAP ROOF SEALANT

Stoughton Number	Remarks
SEAL GAP	Sold per Gallon

SUNPATCH KIT

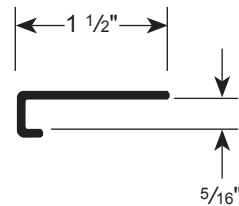
Stoughton Number	Remarks
CKR50 SNPTCHKIT	Roof Repair Kit – 1 sq. ft. (12" x 12")

ROOF BOW ADHESIVE

Stoughton Number
MP75-AMGRAY

ALUMINUM ROOF SEALER

Stoughton Number	Remarks
MP65-H ALUM	Sold per Gallon



ROOF EDGE TRIM

Stoughton Number	Remarks	Length
02 11426 216 00	For Translucent Roofs – OE Style	18'
WAB-E0821200	Aftermarket Style	10'

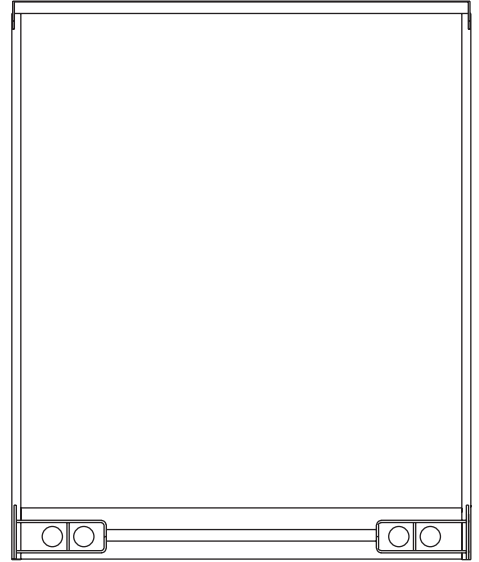
SECTION 4 REAR FRAME AND BUMPER PARTS

For ALL Rear Frame components, please call with the VIN (Serial Number) of trailer or container for correct parts identification.

Please have the following information ready when you call:

- Last eight letters/numbers for trailers
- Last nine to ten letters/numbers for containers

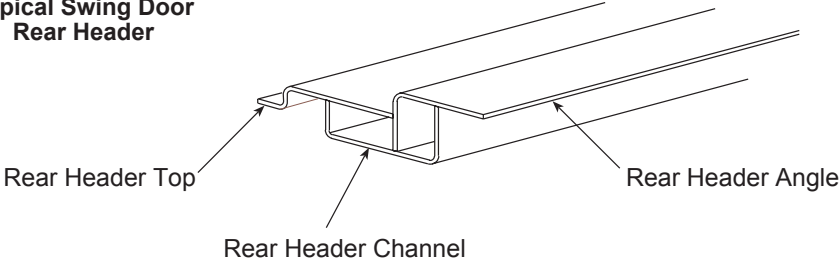
For Drop Bumpers, Front and Rear Bolsters, etc. on the Container Chassis, have the last eight letters/numbers ready when you call.



Rear Headers	4-1
Stoughton.....	4-1
Rear Header Parts.....	4-1
Stoughton.....	4-1
Rear Thresholds and Rear Sills.....	4-2
Stoughton.....	4-2
Rear Sill Parts.....	4-2
Stoughton.....	4-2
Rear Corner Posts.....	4-3
Stoughton.....	4-3
Rear Post Attaching Angles.....	4-3
Stoughton.....	4-3
Threshold Plates.....	4-3
Stoughton.....	4-3
Rear Bumper Parts.....	4-4
Stoughton.....	4-4
Rear Corner Post Assemblies	4-5
Stoughton.....	4-5
Drop Bumper Assemblies	4-5
Stoughton.....	4-5
Rear - Miscellaneous.....	4-6
Stoughton.....	4-6
Great Dane	4-6

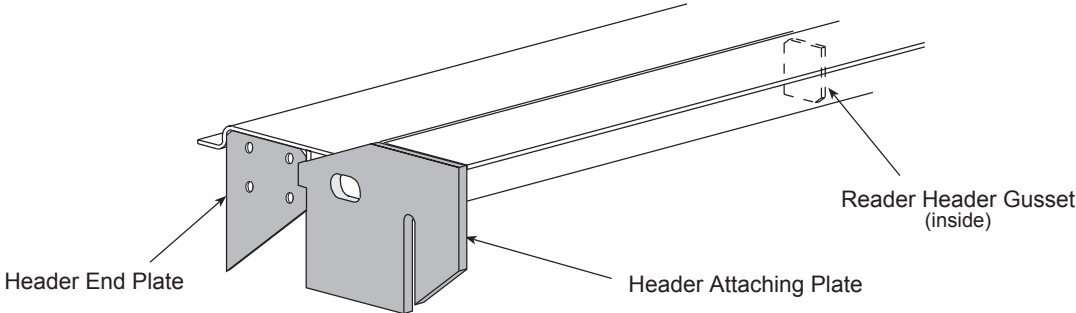
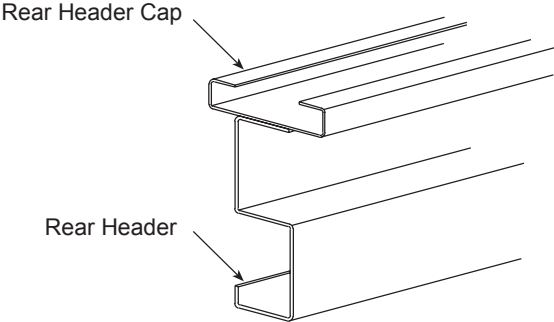
For Top Keepers see Section 5

Typical Swing Door
Rear Header



For Containers see Section 15

Typical Roll-Up Door
Rear Header

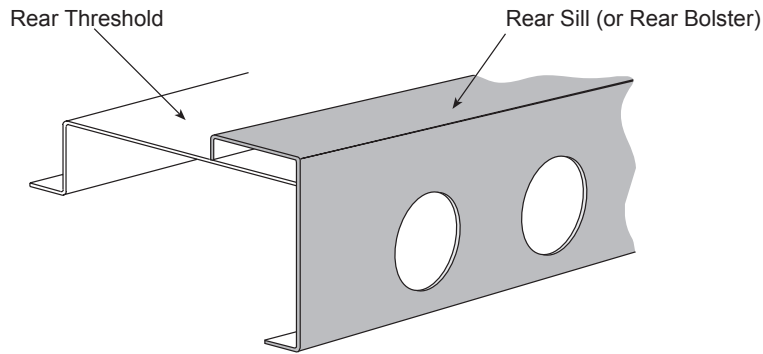


Note: Illustrations provided for reference only. Call with trailer VIN (Serial Number) for correct application.

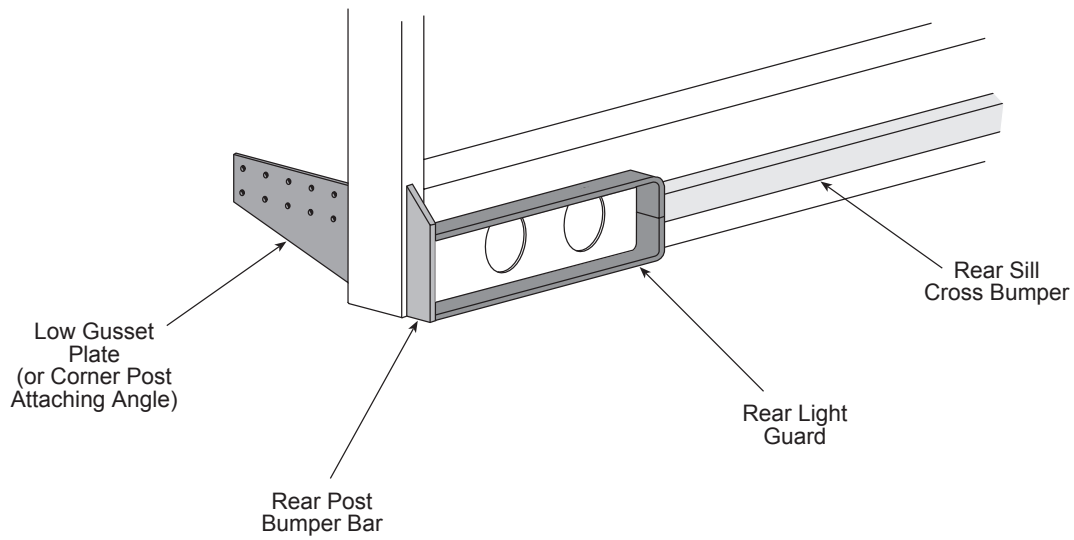
REAR THRESHOLDS AND REAR SILLS

For Bottom Keepers see Section 5

Stoughton

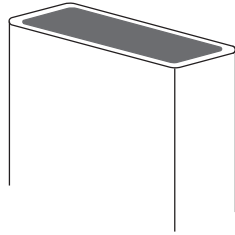
**REAR SILL PARTS**

Stoughton



REAR CORNER POSTS

Stoughton



REAR TUBE POST

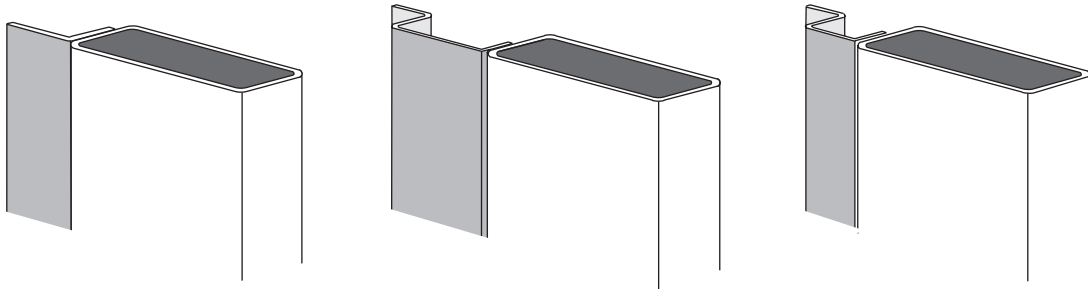
Stoughton Number	Width	Material
00 10204 121 25	121 1/4"	Steel – 2" x 4"
00 10204 140 00	140"	Steel – 2" x 4"

Some pre-fabricated sub-assemblies available. Call with VIN (Serial Number) for correct application.

Call with VIN (Serial Number) for correct application

REAR POST ATTACHING ANGLES

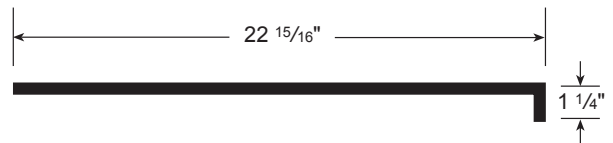
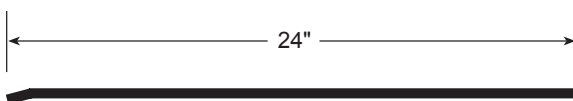
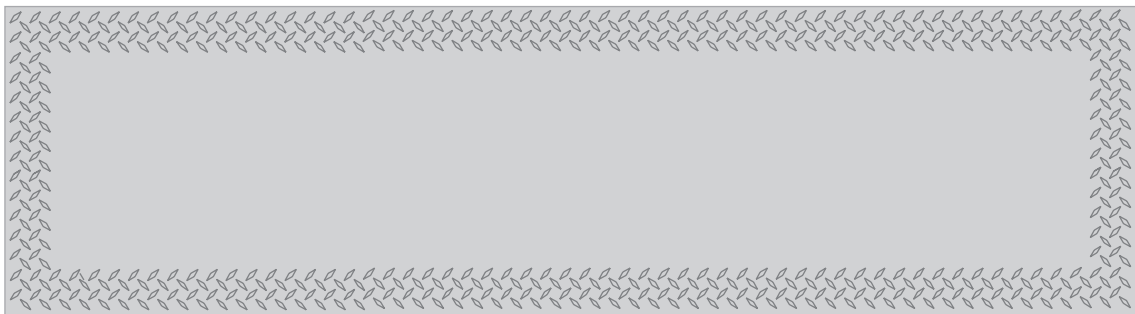
Stoughton



Call with VIN (Serial Number) for correct application

THRESHOLD PLATES

Stoughton

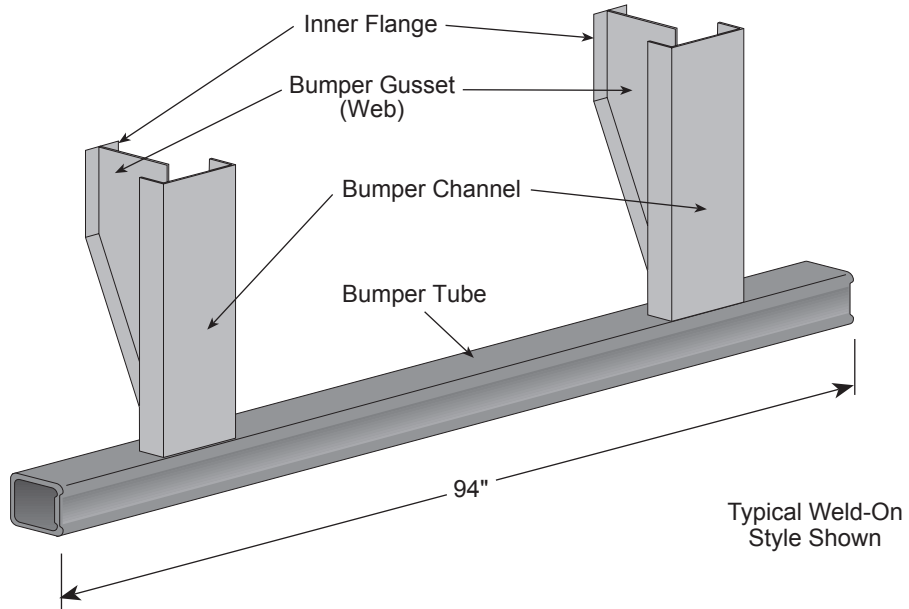


Stoughton Number	Length	Material
01 07129 024 00	96"	Steel Tread Plate

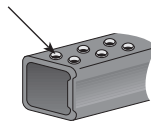
Stoughton Number	Length	Material
01 15784 000 00	96"	Steel Tread Plate

REAR BUMPER PARTS

Stoughton



Antiskid Holes



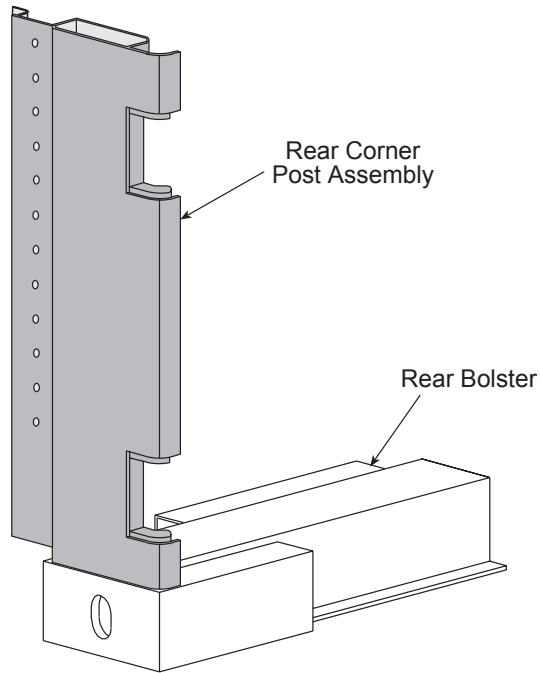
BUMPER TUBE

Stoughton Number	Width	Remarks
04 18583 001 00	4" x 4"	w/ Antiskid Holes

Call with VIN (Serial Number) for correct application

REAR CORNER POST ASSEMBLIES

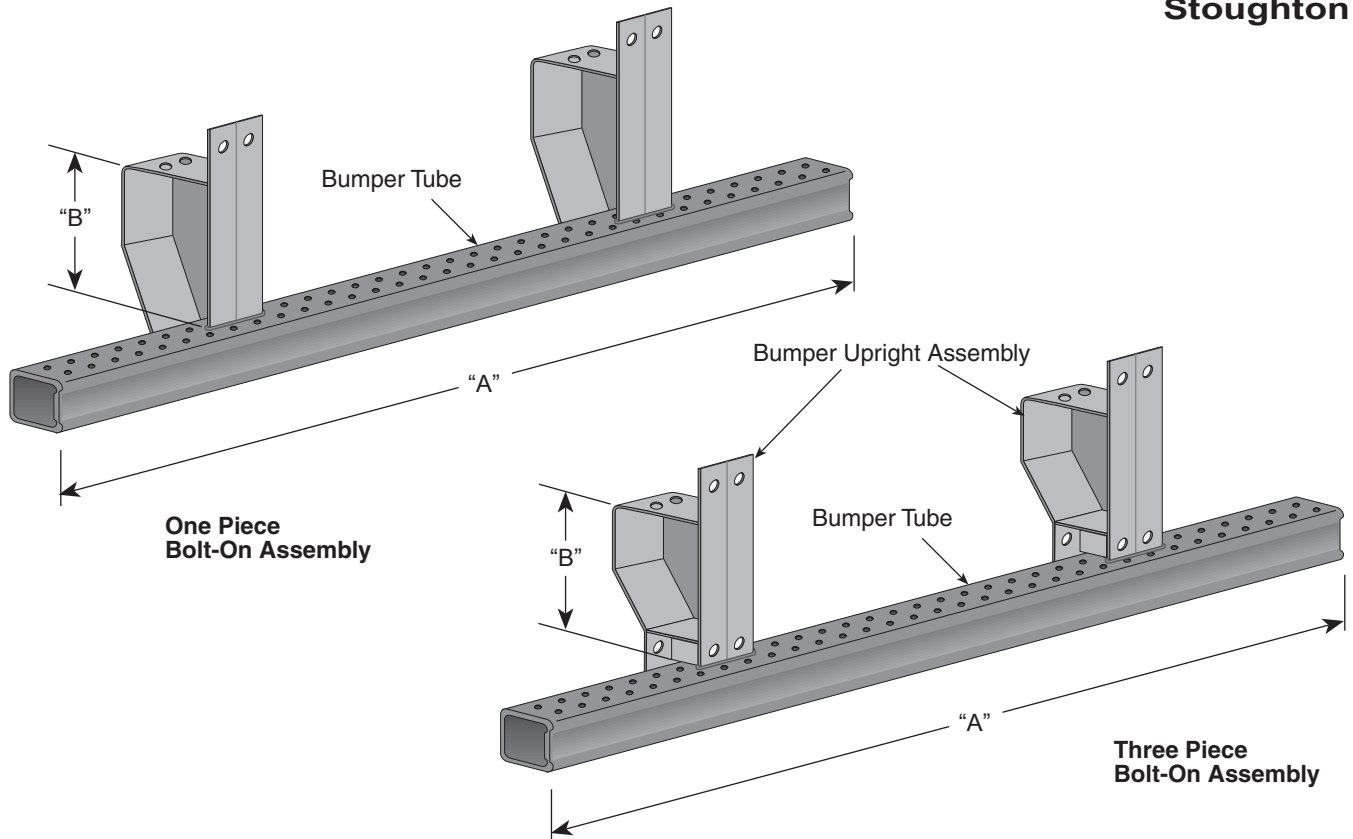
Stoughton



Container style shown for illustration purposes only

DROP BUMPER ASSEMBLIES

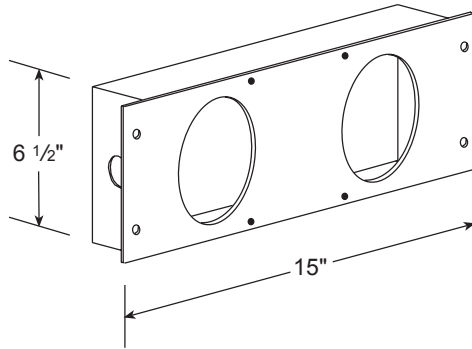
Stoughton



Most common styles shown for reference only

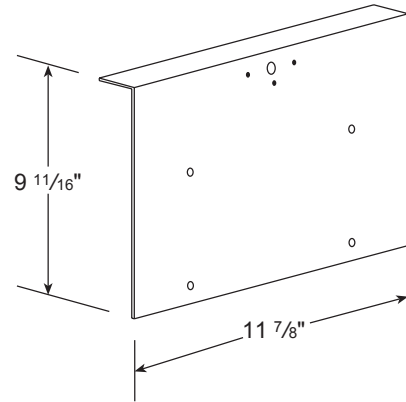
REAR - MISCELLANEOUS

Stoughton



REAR LIGHT BOX ASSEMBLY

Stoughton Number	Remarks
01 10801 000 00	Box Only
24 05770 000 00	Assembly

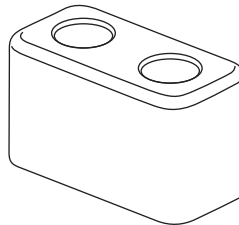


LICENSE MOUNTING BRACKET

Stoughton Number
01 04023 000 00
01 14972 000 00
01 15199 000 00

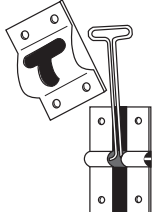
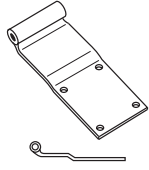
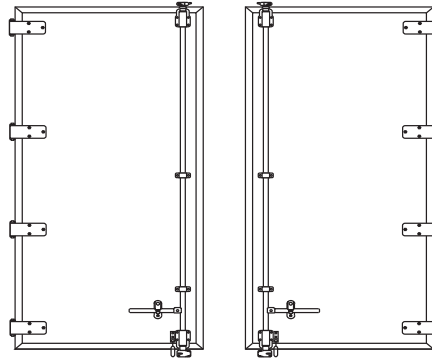
Other choices available. Call with trailer VIN (Serial Number) for correct application.

Great Dane

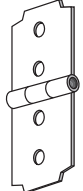
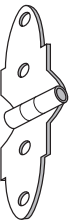
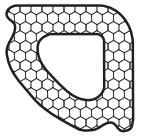


POLYURETHANE DOCK BUMPER

Stoughton Number
GD#41700304



Door Panels.....	5-1
Stoughton.....	5-1
Door Extrusions – Extruded Aluminum.....	5-2
Stoughton.....	5-2
Door Gaskets – Neoprene.....	5-2
Stoughton.....	5-2
Door Gaskets – Sealok Type.....	5-3
Stoughton.....	5-3
Door Gaskets – Newcourt Type.....	5-4
Stoughton.....	5-4
Door Gaskets.....	5-4
Great Dane	5-4
Utility	5-4
How to Order a Lockrod	5-5
Ordering Example	5-5
Lockrod Components	5-7
Stoughton.....	5-7
Monon	5-11
Mid-Cam Lock Assembly	5-11
Stoughton.....	5-11
Hinges	5-12
Stoughton.....	5-12
Dorsey.....	5-14
Fruehauf.....	5-15
Great Dane	5-16
Hyundai.....	5-18
Kentucky	5-18
Manac	5-18
Monon	5-18
Pines	5-19
Strick	5-19



Trailmobile.....	5-20
Utility	5-20
Vanguard Trailers.....	5-21
Wabash	5-21
Hinge Pins	5-22
Stoughton.....	5-22
Dorsey.....	5-22
Great Dane	5-22
Fruehauf.....	5-22
Trailmobile.....	5-23
Utility	5-23
Todco Roll-Up Door	5-24
3/4" Dry Freight Door - Aluminum or Plastic Coated.....	5-24
Overhead Door Size Chart.....	5-24
Todco Parts List.....	5-25
Whiting General Purpose Roll-Up-Door	5-26
3/4" Dry Freight Door - General Purpose.....	5-26
Overhead Door Size Chart.....	5-26
Whiting General Purpose Parts List	5-27
Whiting Premium Roll-Up-Door	5-28
3/4" Dry Freight Door - Aluminum Clad or Premium Plastic	5-28
Whiting Premium Parts List	5-29
Transglobal Universal Roll-Up-Door.....	5-30
98" x 107" Universal Door – White – TG98X107PPW	5-30
Transglobal Universal Parts List.....	5-31
Transglobal Universal Flush Mount Roll-Up-Door.....	5-32
98" x 107" Universal Door – Flush Mount Hardware – White – TG-98X107 WH5-32	
Transglobal Universal Flush Mount Parts List	5-33
Transglobal Extreme Duty Roll-Up-Door	5-34
98" x 105" x 0.5" x 1" Extreme Duty White Composite Door.....	5-34
Transglobal Extreme Duty Parts List	5-35
Transglobal Extreme Duty Roll-Up Door	5-36
Stoughton – 98" x 105" x 0.5" x 2" Extreme Duty White Composite Door 5-36	
Transglobal Extreme Duty Parts List	5-37
Transglobal Replacement Panels.....	5-38
Intermediate Panels	5-38
Bottom Panels.....	5-39
Rear Frame Conversion Kits	5-40
Stoughton.....	5-40
Side Door Frame Parts.....	5-40

Stoughton..... 5-40

Side Door Assembly 5-41

 Stoughton..... 5-41

Vent Doors..... 5-41

 Stoughton..... 5-41

Holdback Hardware 5-42

 Stoughton..... 5-42

 Fruehauf..... 5-42

Hardware 5-43

 Todco 5-43

 Todco 5-44

 Whiting 5-45

Miscellaneous..... 5-47

 Stoughton..... 5-47

 Fruehauf..... 5-48

 Great Dane 5-48

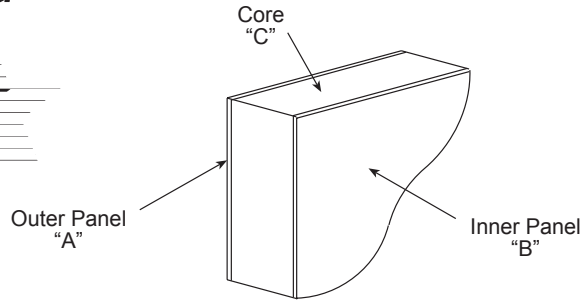
 Utility 5-48

 Wabash 5-48

 Todco 5-48

Side Door Step Assemblies 5-49

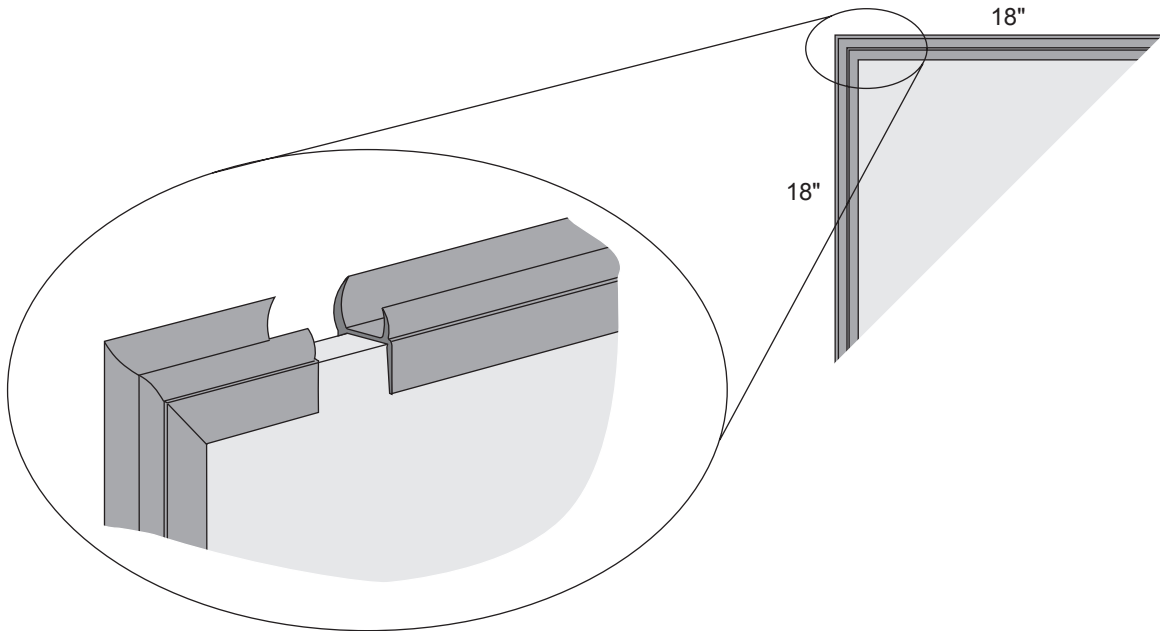
 Stoughton..... 5-49



NEWCOURT, INC.

DOOR BLANKS

Stoughton Number	Size	"A"	"B"	"C"
DP07548110PW/GV	3/4" x 48" x 110"	.015 White Aluminum	.019 Galvanized Steel	Wood
DP07548120PW/GV	3/4" x 48" x 120"	.015 White Aluminum	.019 Galvanized Steel	Wood
DP07548120SS/GV	3/4" x 48" x 120"	.026 Mirror Stainless	.019 Galvanized Steel	Wood
DP05048120PW/GV	1/2" x 48 1/2" x 120"	.015 White Aluminum	.019 Galvanized Steel	Wood
DP10048110PW/GV	1" x 48 5/16" x 110 1/2"	.024 White Galvanized Steel	.024 Galvanized Steel	Wood
A.A.R. Approved DP12548110PW/GV	1 1/4" x 48 3/8" x 110 1/2"	.024 White Galvanized Steel	.024 Galvanized Steel	Wood
A.A.R. Approved DP07548120PW/AL	3/4" x 48" x 120"	.015 White Aluminum	.015 Mill Aluminum	Wood
04 22401 001 00	.512" x 48.62" x 108.5"	.019 Steel PPW	.019 Steel PPW	G-Bond
04 22401 001 01	.512" x 48.62" x 108.5"	.019 Steel Schneider Orange	.019 Steel PPW	G-Bond
04 23673 000 00	.512" x 48.12" x 108.88"	.019 White Galv. Steel, PPW	.019 White Galv. Steel	G-Bond
04 85451 XXX 00	1" x 49" x 120"	.015 White Aluminum	.015 White Aluminum	Foam
04 85521 XXX 01	3/4" x 49" x 120"	.015 White Aluminum	.015 White Aluminum	Foam



CORNER REPAIR

Stoughton Number	Size	Remarks
NC CORNER REPLAC	3/4" x 18" x 18"	Dual Durometer
04 52727 800 00	3/4" x 3" x 3"	Corner Seal – Norstar

DOOR EXTRUSIONS – EXTRUDED ALUMINUM

Stoughton



DOOR MULLION

Stoughton Number
02 04079

For standard 110" doors
(set of 2), order 1 piece.



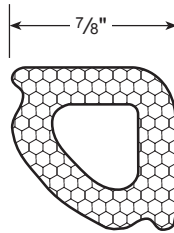
DOOR EDGE

Stoughton Number
02 06626

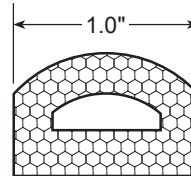
For standard 110" doors
(set of 2), order 5 pieces.
Requires 04 06435 gasket.

DOOR GASKETS – NEOPRENE

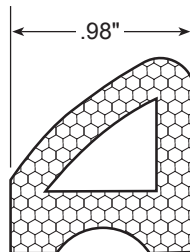
Stoughton



Stoughton Number	Remarks
04 06435 000 00	Per foot
04 06435 150' BOX	150' Box (150' Roll)



Stoughton Number	Remarks
04 08725 250 00	D-Shaped, 250' Rolls
04 08725 500 00	D-Shaped, 500' Rolls



Stoughton Number	Remarks
04 45985 100 00	Dane 45985, 100' Rolls

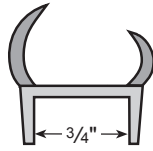
DOOR GASKETS – SEALOK TYPE

Stoughton

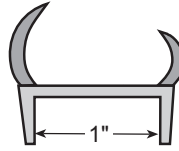
Pre-Gasketed Door Edge - 14' Sticks



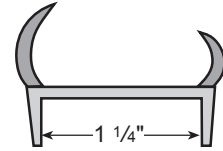
Stoughton Number
04 85221 002 50



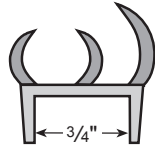
Stoughton Number
04 85221 000 50
04 85221 000 LD



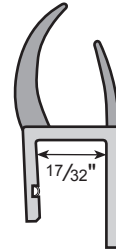
Stoughton Number
04 85478 000 53



Stoughton Number
04 85200 000 50



Stoughton Number	Remarks
04 85221 000 X3	Tri-Seal



Note: 2 per 110" door,
3 per 120" door.
STD = 15 per box
LD = 20 per box

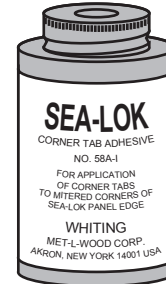
G-Bond "Z" Door Gasket

Stoughton Number	Remarks
04 22402 168 00	168" Lengths



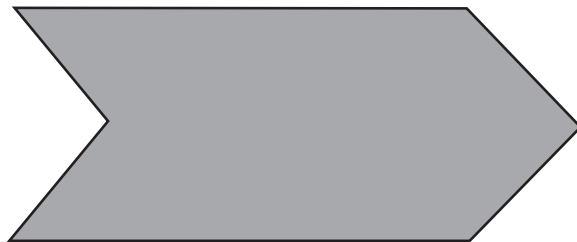
SEALOK CORNER TAB
(Actual Size)

Stoughton Number	Remarks
04 85221 001 50	1000 / box



Stoughton Number
W58A-1

Cannot ship this product
via UPS or Fed Ex.

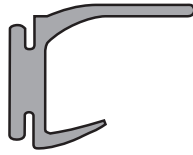


SEALOK CORNER TAB
(Actual Size)

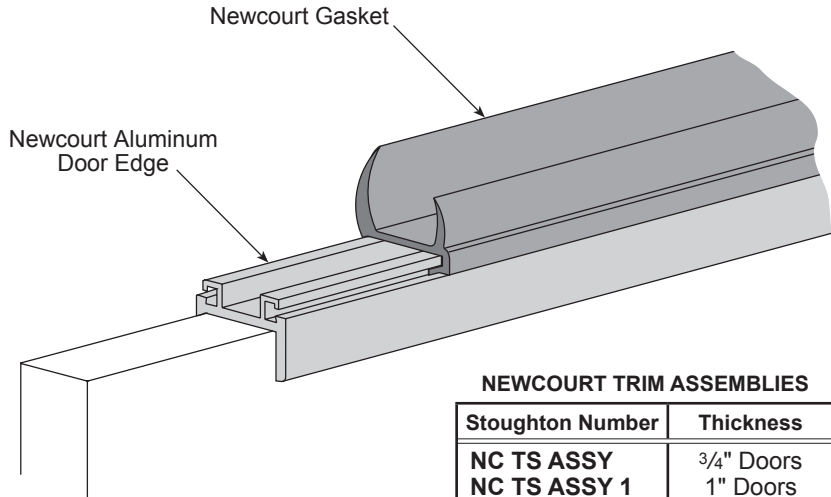
Stoughton Number	Remarks
APWIDE-TAB	1000 / box

DOOR GASKETS – NEWCOURT TYPE

Stoughton

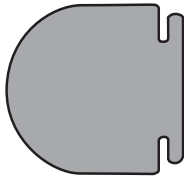


Stoughton Number
NC6227771



NEWCOURT TRIM ASSEMBLIES

Stoughton Number	Thickness
NC TS ASSY	3/4" Doors
NC TS ASSY 1	1" Doors



Stoughton Number
NC6582771

NEWCOURT ALUMINUM DOOR EDGES - 14'

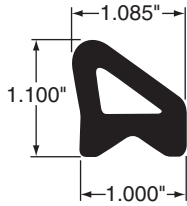
Stoughton Number	Door Panel Thickness
NC6203071	3/4"
NC6246071	1"

NEWCOURT GASKETS - 14'

Stoughton Number	Door Panel Thickness	Gasket Type
NC6237871	3/4"	Standard
NC6280871	1" & 1 1/4"	Standard
NC6292871	3/4"	Balloon
NC6238871	1" & 1 1/4"	Balloon

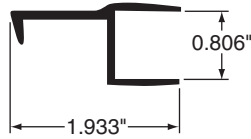
DOOR GASKETS

Great Dane



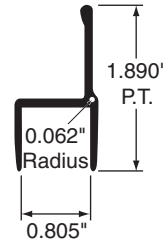
DOOR GASKET, 10'

Stoughton Number
GD#45985



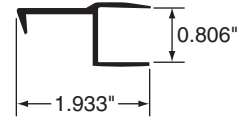
3/4" DOOR CHANNEL, ALUM, 10'

Stoughton Number
GD#95573



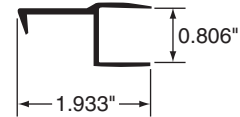
3/4" DOOR CHANNEL, 10'

Stoughton Number
GD#95583
GD#95586
GD#95587



DOOR CHANNEL, ALUM, 168"

Stoughton Number
GD#60402901



DOOR CHANNEL, ALUM, 128.5"

Stoughton Number
GD#60403001

Utility

Picture
Not
Available

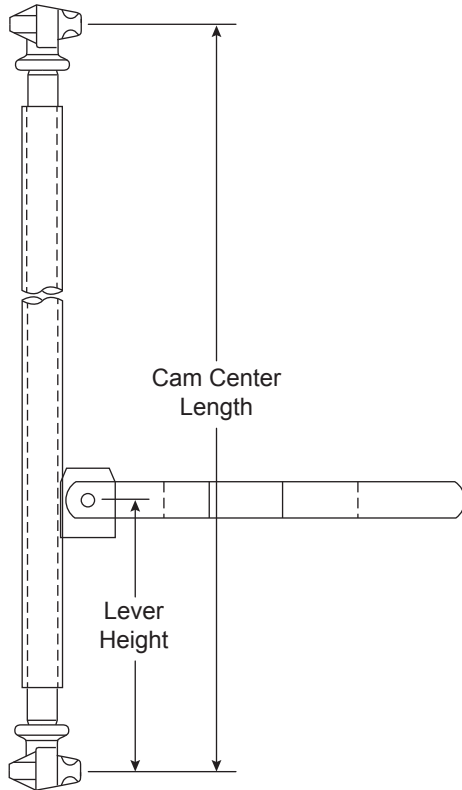
DOOR GASKET, 168"

Stoughton Number
UT-03-3550-0-038

HOW TO ORDER A LOCKROD

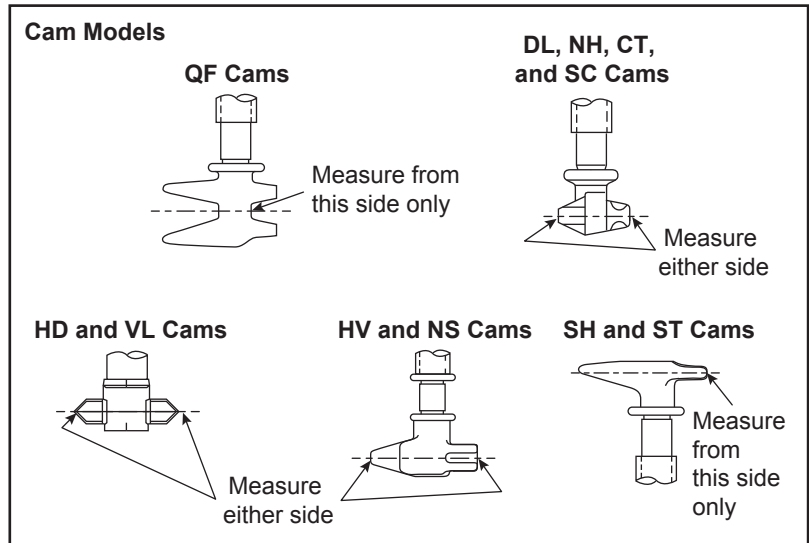
Ordering Example

Model	HV-SH
Hand	RH
Cam Center Length	110.56"
Lever Height	14.00"
Finish	Hot Dip Galvanized
Quantity	4



Trailer and Truck doors vary widely. To make sure that you receive the proper lockrods for your needs, we require the following ordering information:

- **Model** – Specifies the model of the bottom and top cam, with the **bottom cam listed first**. For example, HV-SH would specify an HV bottom cam and an SH top cam (see Cam Models below).



- **Hand** – Specifies whether the lockrod lever is to the left or right of the lockrod when in the closed position. Left Hand (LH) means the lever is to the left of the lockrod (roadside) for rear doors. Right Hand (RH) means the lever is to the right of the lockrod (curbside) for rear doors.
- **Cam Center Length** – Specifies the length from the center of the bottom cam to the center of the top cam. Please measure accurately.
- **Lever Height** – Specifies the position from the center of the bottom cam to the center of the lever. Standard lever height is 14.00".
- **Finish** – Indicates the coating or material of the lockrod. Options include:
 - Hot-Dip Galvanized Steel (HDG)
 - Plain Steel
 - Electropolished Stainless Steel
 - 3/4" Plain Aluminum
 - 3/4" Electropolished Aluminum
 If you do not specify a finish, you will receive HDG.
- **Quantity** – Please specify the number of lockrods that you want to order (per Hand).

HOW TO ORDER A LOCKROD

Lockrod Selection Chart

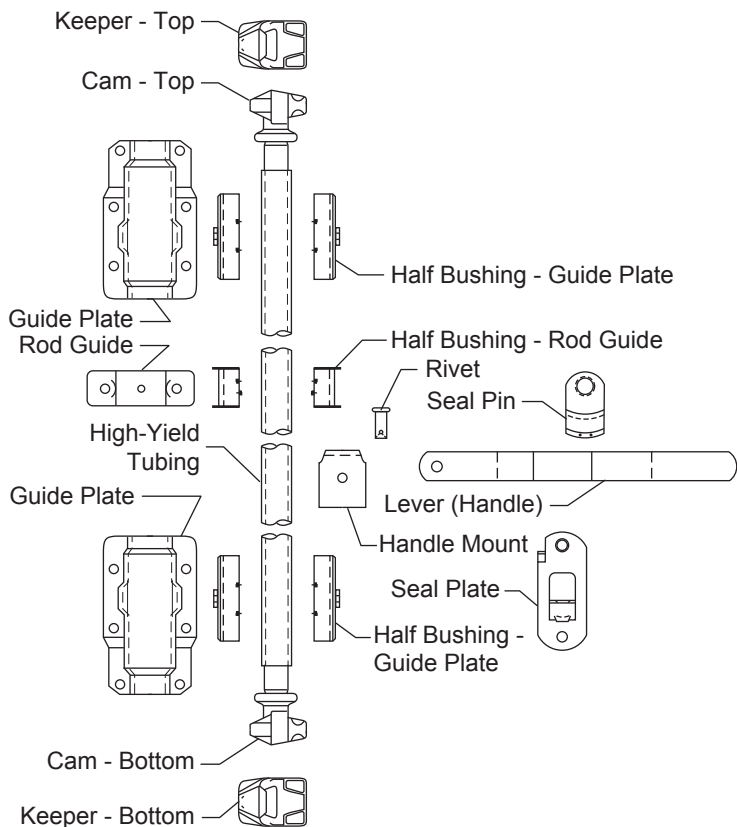
	Lockrod Type		
	Dual-Lobe / Zero-Torque	Maximum Reach / Maximum Gather	Saddle Cam
Shifting/AAR requirement	Excellent	Good	Good
Narrow header	Satisfactory	Excellent	Excellent
Resistance to dock damage	Excellent	Good	Satisfactory
Anti-racking	Excellent	Good	Good
Closing a racked trailer door	Good	Excellent	Good
Opening frozen (stuck) doors	Excellent	Good	Satisfactory
Stiff seals on doors	Good	Excellent	Good
Increased security	Excellent	Not Available	Not Available
Economy (lowest cost)	Good	Good	Excellent
Special finish stainless	Available	Available	Available
(ISO Requirements) Live cargo trailers	Excellent	Satisfactory	Good

Lockrod Components

Additional Considerations

Lockrods can be ordered with or without mounting components.

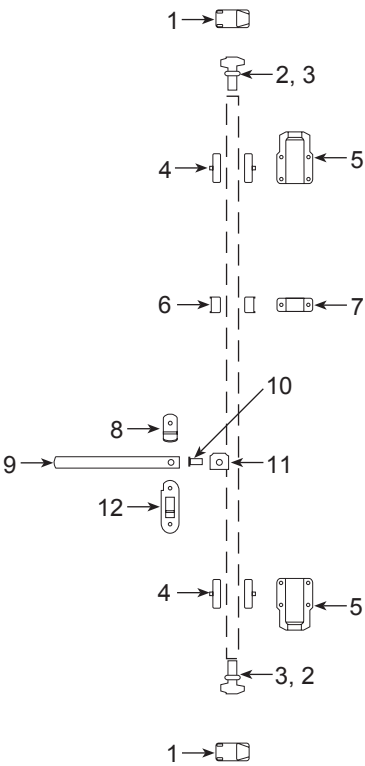
- One rod guide is usually used per lockrod. If additional rod guides are required, they must be specified at the time the order is placed. Order two half bushings for each additional rod guide ordered. Keepers are ordered separately.
- Keepers are available in several mounting options, finishes, materials, and offsets. Contact Stoughton Trailers Customer Service or see the respective chart for each model.
- Standard mounting components usually used with each 1" lockrod (same finish as the lockrod ordered) are as follows:
 - 2 - Guide plates
 - 4 - Guide plate half bushings
 - 1 - Rod guide
 - 2 - Rod guide half bushings
 - 1 - Seal plate
 - 1 - Seal pin



Note: 3/4" Lockrods require different mounting hardware.

LOCKROD COMPONENTS

Stoughton

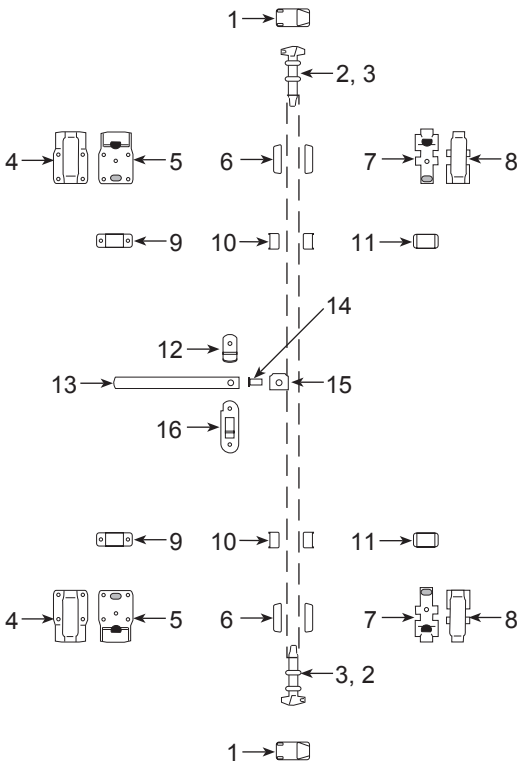


MODEL DL-BU

Item No.	Stoughton Number	Description
1	MR1064	Upper & Lower Keeper
2	MR4043	Upper & Lower End (lever to left)
3	MR4044	Upper & Lower End (lever to right)
4	MR4042	Guide Plate Bushings
5	MR4207	Guide Plate
6	MR4006	Rod Guide Bushings
7	MR4005	Rod Guide
8	MR4012	Seal Pin
9	MR4090	Lever
10	MR4049	Rivet
11	MR4208	Lever Mount
12	MR4011	Seal Plate
-	MRDLBU-HW	Lockrod Hardware Kit - No Pipe

PRE-ASSEMBLED LEVER
secured by swaged stainless steel rivet

MR4146



MODEL DL-CT

Item No.	Stoughton Number	Description
1	MR1064	Upper & Lower Keeper
2	MR2091	Upper & Lower End (lever to left)
3	MR2092	Upper & Lower End (lever to right)
4	MR4003	Guide Plate
5	MR4004	Guide Plate Back Plate
6	MR4007	Guide Plate Bushings
7	MR4106	Guide Plate Back Plate W/O
8	MR4105	Guide Plate W/O
9	MR4005	Rod Guide
10	MR4006	Rod Guide Bushings
11	MR4107	Rod Guide W/O
12	MR4012	Seal Pin
13	MR4090	Lever
14	MR4049	Rivet
15	MR4208	Lever Mount
16	MR4011	Seal Plate

PRE-ASSEMBLED LEVER
secured by swaged stainless steel rivet

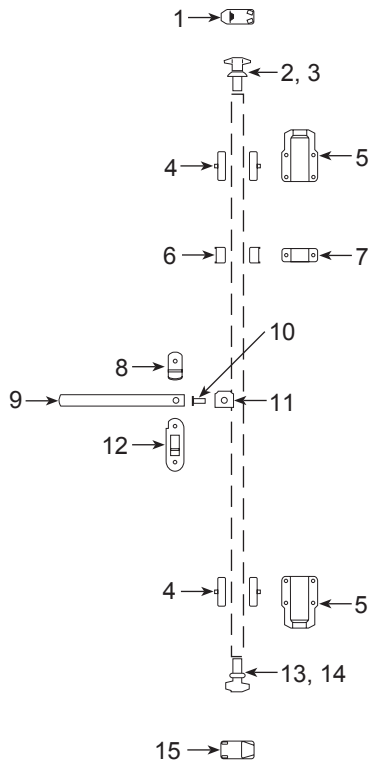
MR4146

Call with trailer VIN (Serial Number) - Some lockrods may be available pre-assembled
Note: All Miner parts sold "each"

LOCKROD COMPONENTS

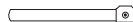
Stoughton

MODEL DL-NH



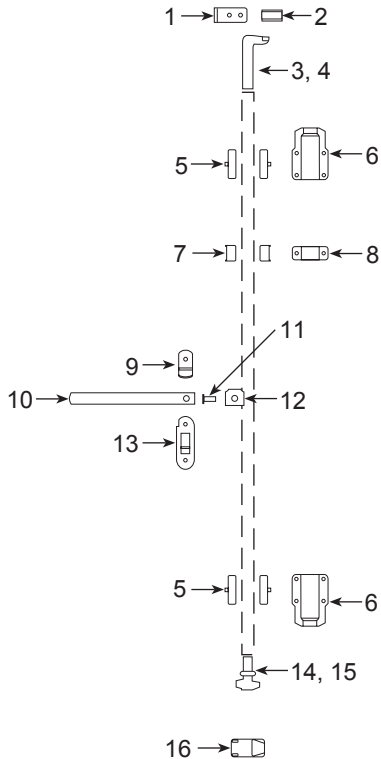
Item No.	Stoughton Number	Description
1	MR4140	Upper Keeper
2	MR4141	Upper End (lever to left)
3	MR4142	Upper End (lever to right)
4	MR4042	Guide Plate Bushings
5	MR4207	Guide Plate
6	MR4006	Rod Guide Bushings
7	MR4005	Rod Guide
8	MR4012	Seal Pin
9	MR4090	Lever
10	MR4049	Rivet
11	MR4208	Lever Mount
12	MR4011	Seal Plate
13	MR4044	Lower End (lever to left)
14	MR4043	Lower End (lever to right)
15	MR1064	Lower Keeper
-	MRDLNH-HWLH	Lockrod Hardware Kit – No Pipe
-	MRDLNH-HWRH	Lockrod Hardware Kit – No Pipe
-	04 85004 100 KIT	Left Hand Universal Lockrod Kit – With Pipe
-	04 85004 200 KIT	Right Hand Universal Lockrod Kit – With Pipe
-	04 85004 100 00	120" Pipe w/ Handle & Lower Cam – Roadside
-	04 85004 200 00	120" Pipe w/ Handle & Lower Cam – Curbside

PRE-ASSEMBLED LEVER
secured by swaged stainless steel rivet



MR4146

MODEL DL-1135



Item No.	Stoughton Number	Description
1	MR4064	Upper Keeper (Bolt on)
2	MR4009	Upper Keeper (Weld on)
3	MR4147	Upper End (lever to left)
4	MR4148	Upper End (lever to right)
5	MR4042	Guide Plate Bushings
6	MR4207	Guide Plate
7	MR4006	Rod Guide Bushings
8	MR4005	Rod Guide
9	MR4012	Seal Pin
10	MR4090	Lever
11	MR4049	Rivet
12	MR4067	Lever Mount
13	MR4011	Seal Plate
14	MR4044	Lower End (lever to left)
15	MR4043	Lower End (lever to right)
16	MR1064	Lower Keeper

PRE-ASSEMBLED LEVER
secured by swaged stainless steel rivet



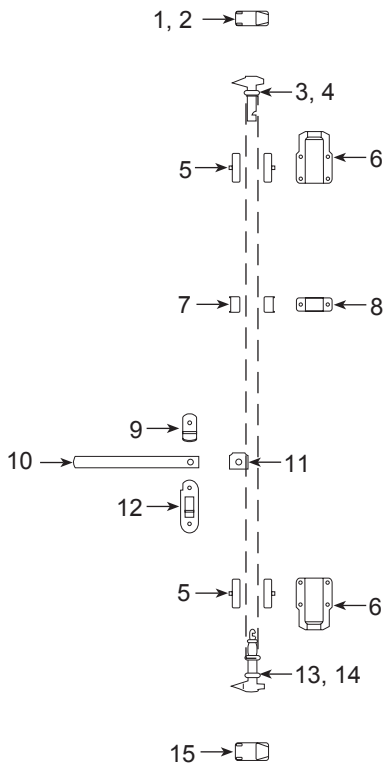
MR4146

Call with trailer VIN (Serial Number) - Some lockrods may be available pre-assembled

Note: All Miner parts sold "each"

LOCKROD COMPONENTS

Stoughton

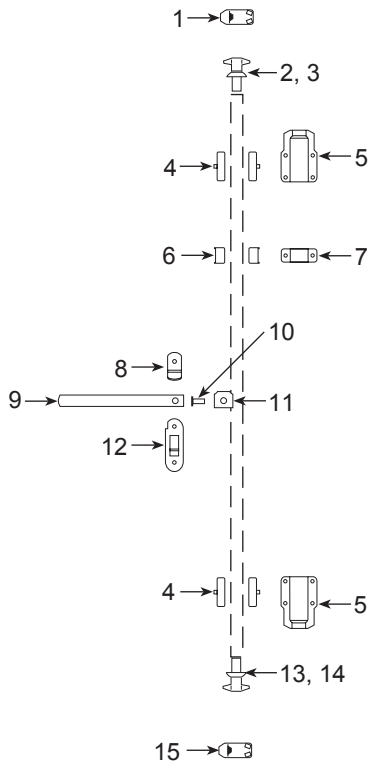


MODEL HV-SH

Item No.	Stoughton Number	Description
1	MR4155	Upper Keeper (lever to left)
2	MR4156	Upper Keeper (lever to right)
3	MR4153	Upper End (lever to left)
4	MR4154	Upper End (lever to right)
5	MR4042	Guide Plate Bushings
6	MR4207	Guide Plate
7	MR4006	Rod Guide Bushings
8	MR4005	Rod Guide
9	MR4012	Seal Pin
10	MR4090	Lever
11	MR4208	Lever Mount
12	MR4011	Seal Plate
13	MR2497	Lower End (lever to left)
14	MR2498	Lower End (lever to right)
15	MR4223	Lower Keeper
-	MRHVSH-HWRH	Lockrod Hardward Kit – No Pipe – Curbside
-	MRHVSH-HWLH	Lockrod Hardward Kit – No Pipe – Roadside

PRE-ASSEMBLED LEVER
secured by swaged stainless steel rivet

MR4146



MODEL NH-NH

Item No.	Stoughton Number	Description
1	MR4140	Upper Keeper
2	MR4141	Upper End (lever to left)
3	MR4142	Upper End (lever to right)
4	MR4042	Guide Plate Bushings
5	MR4207*	Guide Plate
6	MR4006	Rod Guide Bushings
7	MR4005	Rod Guide
8	MR4012	Seal Pin
9	MR4090	Lever
10	MR4049	Rivet
11	MR4208	Lever Mount
12	MR4011	Seal Plate
13	MR4142	Lower End (lever to left)
14	MR4141	Lower End (lever to right)
15	MR4140	Lower Keeper
-	04 85776 100 00	120" Pipe w/ Lever & Lower Cam – Roadside
-	04 85776 200 00	120" Pipe w/ Lever & Lower Cam – Curbside

* Replaces MR4041
"Stainless steel" MR4140 Keepers – 04 85004 000 05

PRE-ASSEMBLED LEVER
secured by swaged stainless steel rivet

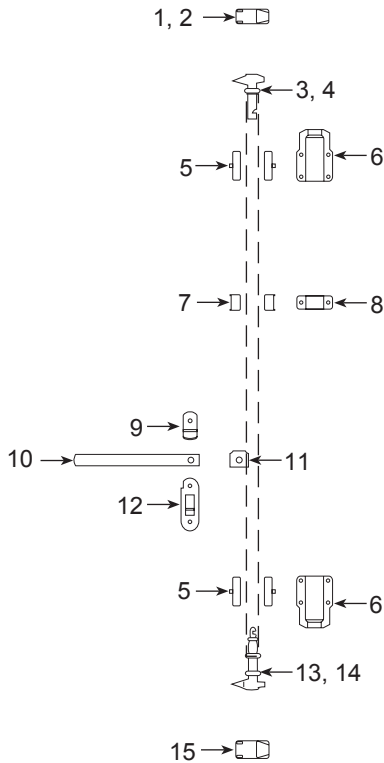
MR4146

Call with trailer VIN (Serial Number) - Some lockrods may be available pre-assembled
Note: All Miner parts sold "each"

LOCKROD COMPONENTS

Stoughton

MODEL NS-ST



Item No.	Stoughton Number	Description
1	MR4229	Upper Keeper (lever to left)
2	MR4230	Upper Keeper (lever to right)
3	MR4227	Upper End (lever to left)
4	MR4228	Upper End (lever to right)
5	MR4042	Guide Plate Bushings
6	MR4207	Guide Plate
7	MR4006	Rod Guide Bushings
8	MR4005	Rod Guide
9	MR4012	Seal Pin
10	MR4090	Lever
11	MR4208	Lever Mount
12	MR4011	Seal Plate
13	MR4226	Lower End (lever to left)
14	MR4225	Lower End (lever to right)
15	MR4224	Lower Keeper

MISCELLANEOUS LOCKROD KITS, WITH PIPE

Stoughton Number	Description
04 85005 100 KIT	Left Hand Universal Lockrod Kit with Pipe
04 85005 200 KIT	Right Hand Universal Lockrod Kit with Pipe

PRE-ASSEMBLED LEVER
secured by swaged stainless steel rivet

MR4146

MISCELLANEOUS LOCKROD KITS, WITH PIPE

Stoughton Number	Description
MR P50305 LH KIT	Lockrod Kit QF-QF, Left Hand
MR P50315 RH KIT	Lockrod Kit QF-QF, Right Hand
MR P50575 LH KIT	Lockrod Kit SI-SI, Left Hand
MR P50585 RH KIT	Lockrod Kit SI-SI, Right Hand
MR P50815 LH KIT	Lockrod Kit HV-SH, Left Hand
MR P50825 RH KIT	Lockrod Kit HV-SH, Right Hand
MR P50915 LH KIT	Lockrod Kit DL-DL, Left Hand
MR P50925 RH KIT	Lockrod Kit DL-DL, Right Hand
MR P50935 LH KIT	Lockrod Kit NH-NH, Left Hand
MR P50945 RH KIT	Lockrod Kit NH-NH, Right Hand

MISCELLANEOUS

Stoughton Number	Description
MR P50005A	120" Blank Lockrod Pipe
MR P50325A	120" "Weld-Pro" Lockrod Assembly
MR P50335A	"Weld-Pro" Welding Fixture Set
MR P50365A	Post-Weld Spray Paint
MR P50425A	"Rack-Away" Anti-Racking Brackets

Call with trailer VIN (Serial Number) - Some lockrods may be available pre-assembled.

Note: All Miner parts sold "each."

LOCKROD COMPONENTS

Monon



LOCKROD, RS, SPECIAL

Stoughton Number
MON-EDA44974L

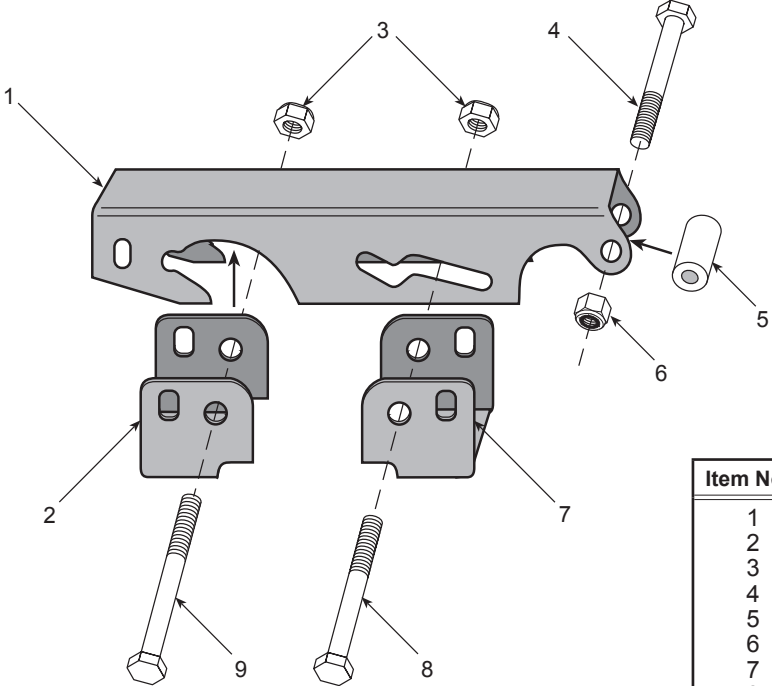


LOCKROD, CS, SPECIAL

Stoughton Number
MON-EDA44974R

MID-CAM LOCK ASSEMBLY

Stoughton



MID-CAM LOCK ASSEMBLY

Stoughton Number
MRMC1166

Replaces 04 85112 000 00

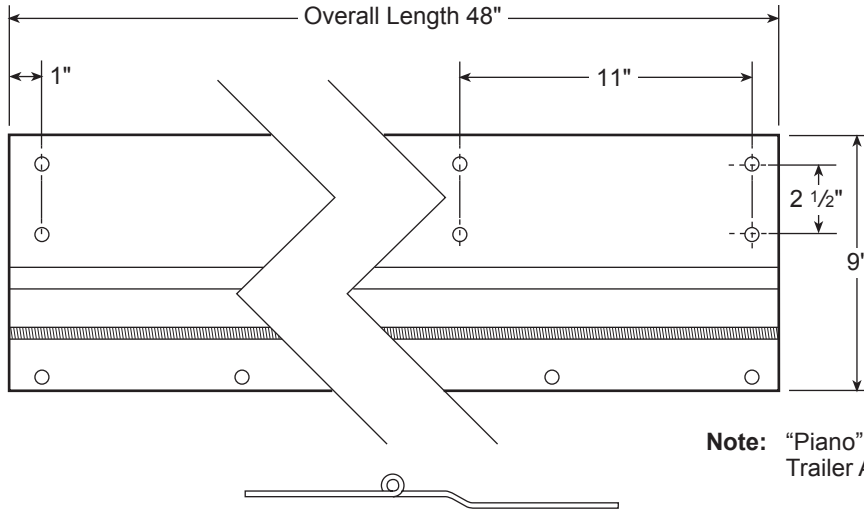
TRIPLE-SEAL DOOR LOCK ASSEMBLY

Item No.	Stoughton Number	Description
1	MR4165	Cam Lock
2	MR4166	4 Hole Lock Bracket
3	MRP41953	3/8" - 16 Hex Nuts
4	MRP41923	3/8" - 16 x 3" Hex Bolt
5	MR4103	Cam Bearing
6		3/8" - 16 Hex Lock Nut
7	MR4164	2 Hole Lock Bracket
8	MRP41933	3/8" - 16 x 3 1/2" Hex Bolt
9	MRP41943	3/8" - 16 x 4" Hex Bolt

"Dorsey," "Fruehauf," "Great Dane," "Hyundai," "Kentucky," "Lufkin," "Monon," "Manac," "Pines," "Strick," "Trailmobile," "Utility," "Vanguard Trailer," and "Wabash" are trademarks of their respective owners and are used only to identify corresponding part numbers of Stoughton Part Sales, LLC. Stoughton Part Sales, LLC is not affiliated with the owners of these trademarks.

HINGES

Stoughton



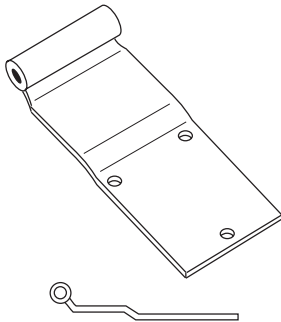
Note: "Piano" hinge PLATE
Trailer Application ONLY

HINGE ASSEMBLY

Stoughton Number
04 12514

Replaces 01 11548 000 00

STEEL HINGES

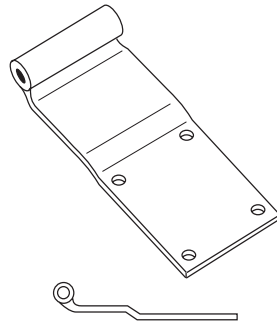


Stoughton Number	Type
MR P107845A*	4-Hole (MRH-1060-4)
MRH-1078-3	3-Hole (see MRBU-1062-4)
MR P108835A	3-Hole (MRH-1081-3)
MR P108855A	5-Hole (MRH-1081-5)

* Used on "Roadtrailers"

HINGE PARTS LIST

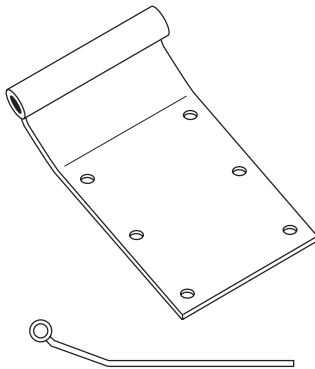
Stoughton Number	Type
04 86386 003 00	Hinge Butt - 2 3/4"
04 09600 000 00	Hinge Gasket - 4" Hinge
MR P1156061A	4" Hinge Butt (old # MRHB-1156-6-3)
MRBU-1062-4	Bushing, Naval Brass for MRH 1078-3
MRHB-1156-6-SS	4" Hinge Butt (Stainless)



**ALUMINUM HINGE
WITH BUSHING**

Stoughton Number	Description
04 08316 000 00	4"
04 86386 001 00*	2 3/4"

* Our current production standard

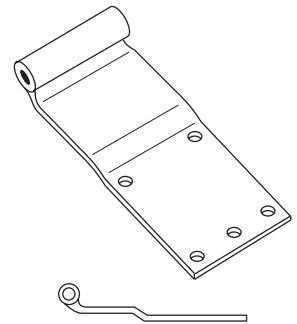


PROPAR HINGE

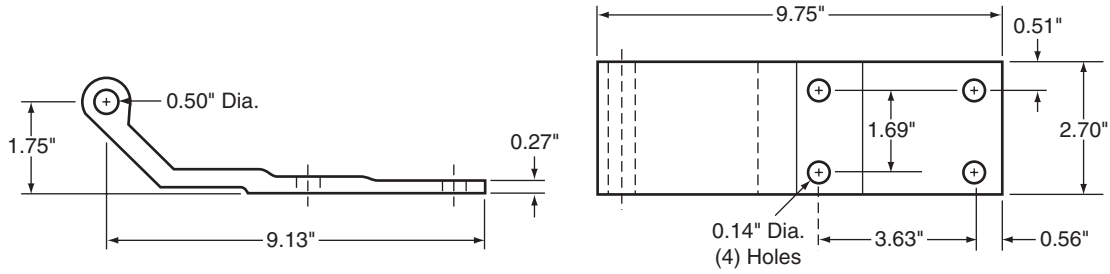
Stoughton Number
04 85212 000 00

PROPAR HINGE PARTS LIST

Stoughton Number	Description
04 85213 000 00	Hinge Pin

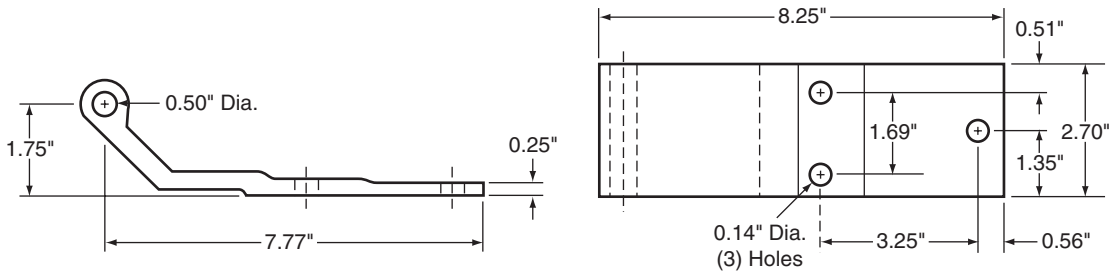


HINGES Dorsey



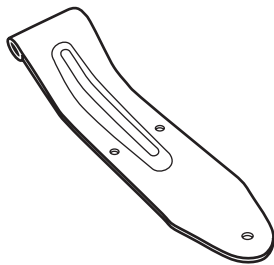
HINGE, 4-HOLE, ALUM, 2.75" W

Stoughton Number
DOR-2810093



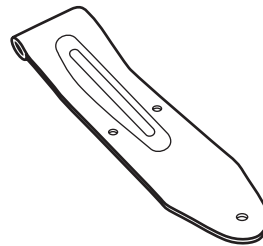
HINGE, 3-HOLE, ALUM, 2.75" W

Stoughton Number
DOR-2810919



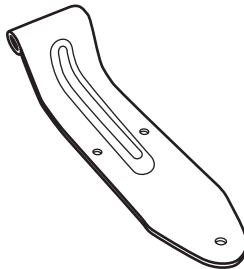
HINGE, 3-HOLE

Stoughton Number
DOR-4101481



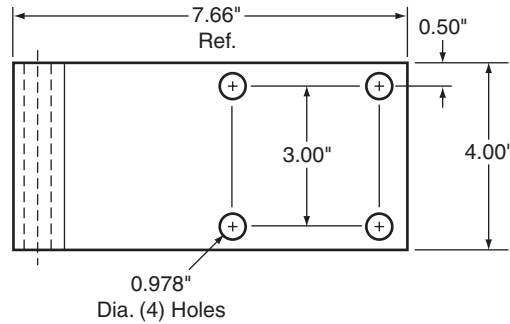
HINGE, 3-HOLE, STEEL STAMPING

Stoughton Number
DOR-4101482



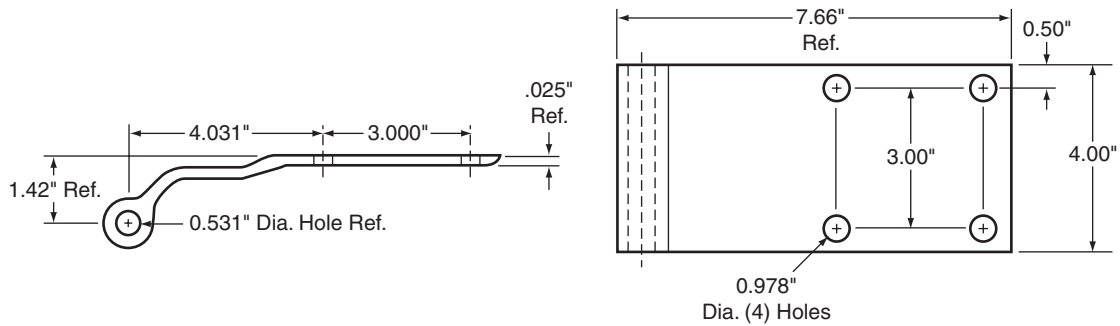
HINGE, 3-HOLE, STEEL STAMPING

Stoughton Number
DOR-5609022



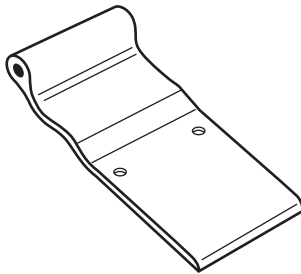
HINGE, 5-HOLE, FRUEHAUF, 4" W

Stoughton Number
FRU#BCF4678



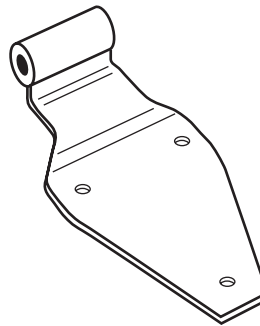
HINGE, 4-HOLE, ALUM

Stoughton Number
FRU#BCF4678-1



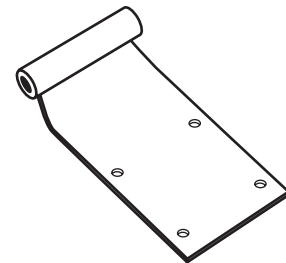
HINGE, 3-HOLE, ALUM

Stoughton Number
FRU#DBA00158300



HINGE, 3-HOLE

Stoughton Number
FRU#DCA-02-42

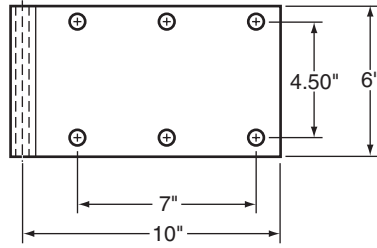
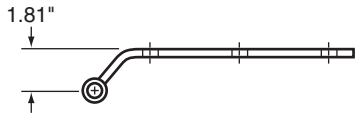


HINGE, 4-HOLE

Stoughton Number
FRU#DCE-8681-1

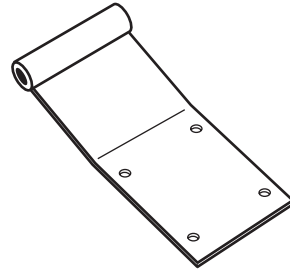
HINGES

Fruehauf



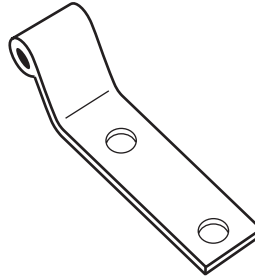
HINGE, 6-HOLE

Stoughton Number
FRU#DCF-00451



HINGE, 4-HOLE

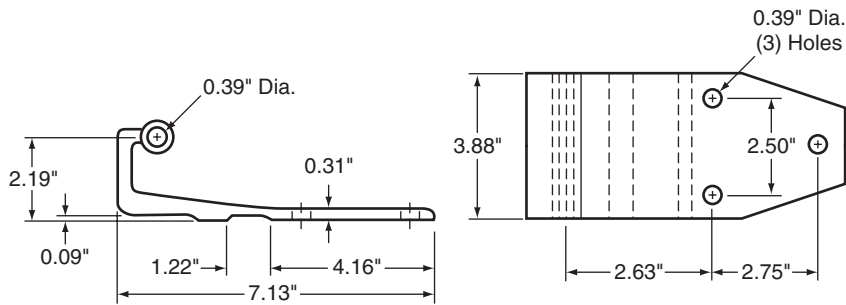
Stoughton Number
FRU#DCF-3980-1



HINGE, 2-HOLE, W/HDWR

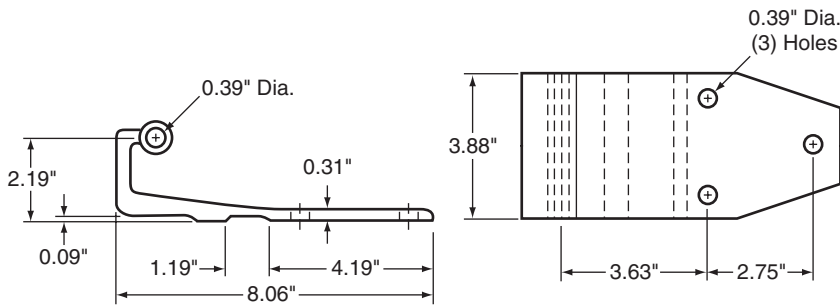
Stoughton Number
FRU#DXA-0687

Great Dane



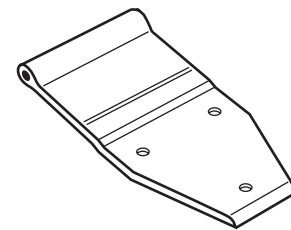
HINGE, 3-HOLE, DRY FREIGHT

Stoughton Number
GD#08138



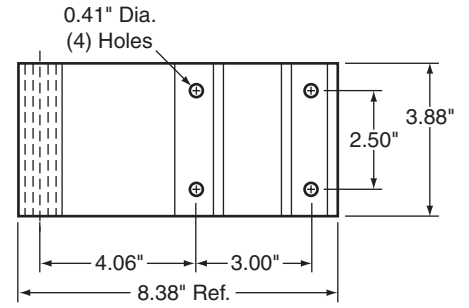
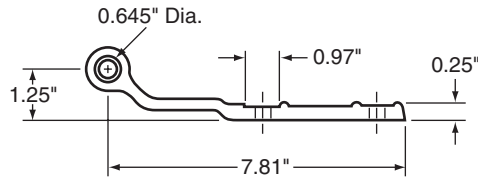
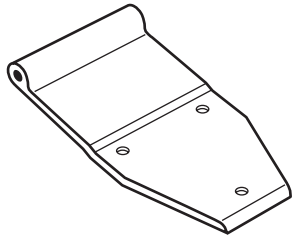
HINGE, 3-HOLE, REEFER

Stoughton Number
GD#08206



HINGE, 3-HOLE, ALUM

Stoughton Number
GD#15152

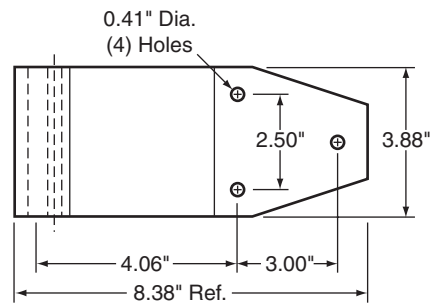
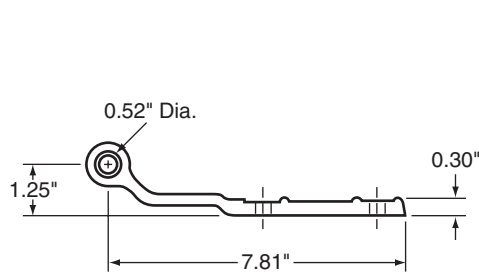


HINGE, 3-HOLE, ALUM, EXTRU

Stoughton Number
GD#47563

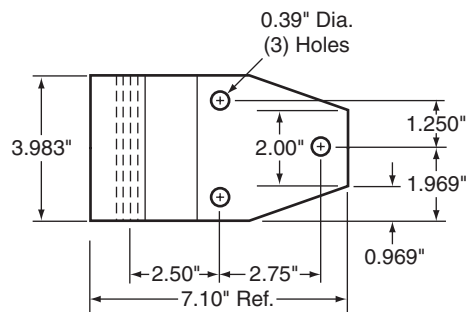
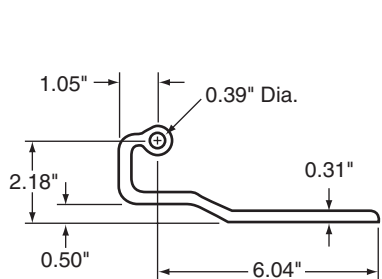
HINGE, 4-HOLE, GREAT DANE STYLE

Stoughton Number
GD#31800904



HINGE, 3-HOLE, GREAT DANE STYLE

Stoughton Number
GD#31801018

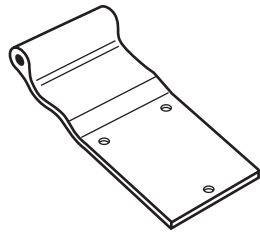


HINGE, 3-HOLE

Stoughton Number
GD#42500813

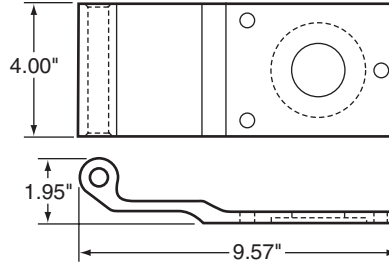
HINGES

Hyundai



HINGE, 3-HOLE, ALUM

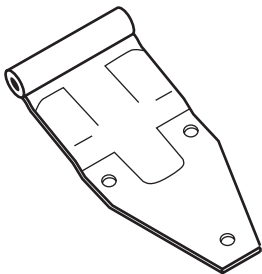
Stoughton Number
HY#1000-9668



HINGE, 3-HOLE

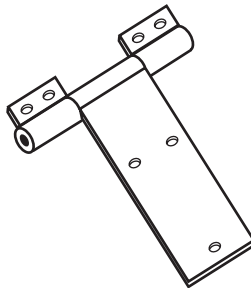
Stoughton Number
HY#2000-3977

Kentucky



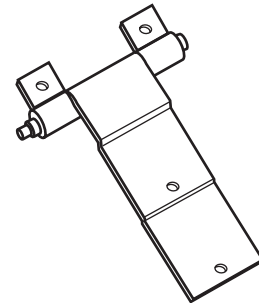
HINGE, 3-HOLE

Stoughton Number
KY#2906



HINGE, SIDE DOOR

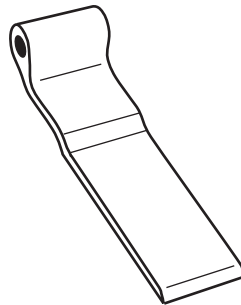
Stoughton Number
KY#6616396000



HINGE ASSY, "BELLY BOX"

Stoughton Number
KY#6616600000

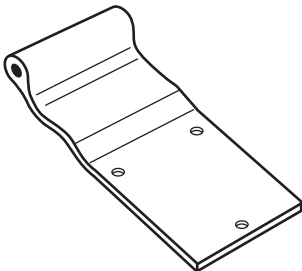
Manac



HINGE, MANAC STYLE, NO HOLES

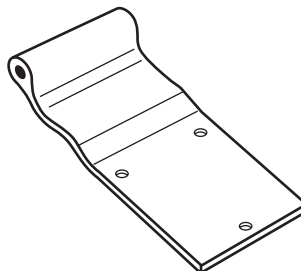
Stoughton Number
MANAC#353-239

Monon



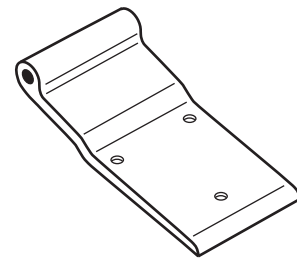
HINGE, 3-HOLE, ALUM

Stoughton Number
MON-ED045011



4" HINGE, 3-HOLE, W/NO INSERTS

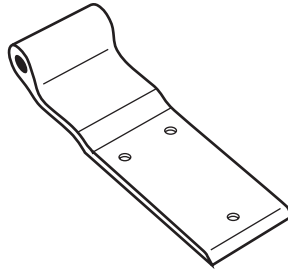
Stoughton Number
MON-ED045011 W/O



4" x 8.5" HINGE, 3-HOLE, ALUM

Stoughton Number
MON-PC1310

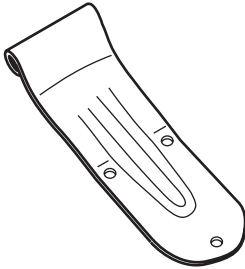
HINGES Pines



HINGE, 3-HOLE, ALUM

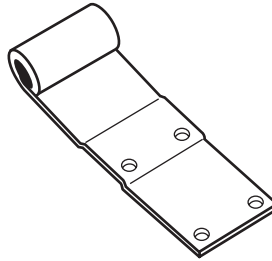
Stoughton Number
PINE AE54111
PINE REB-0395

Strick



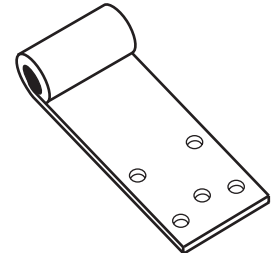
HINGE, 3-HOLE, STEEL, W/RIB

Stoughton Number
STRAA33C01060100



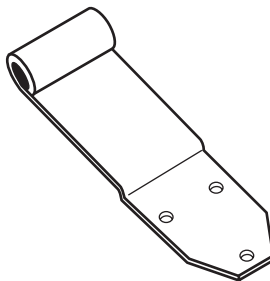
HINGE, 4-HOLE, STEEL STAMPING

Stoughton Number
STRAA35F00020100



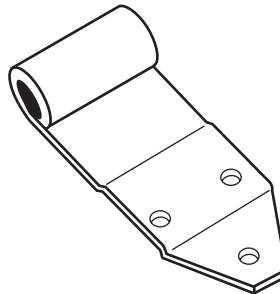
HINGE, 5-HOLE, STEEL STAMPING

Stoughton Number
STRAA35F00030100



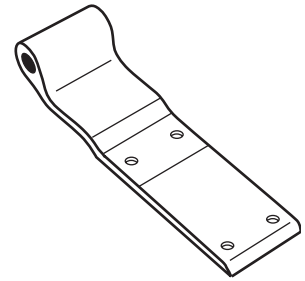
HINGE, 3-HOLE, STEEL STAMPING

Stoughton Number
STRAA35F00040100



HINGE, 3-HOLE, ALUM, W/INSERT

Stoughton Number
STRAA35F00100100

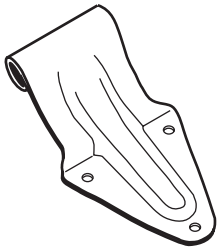


HINGE, 4-HOLE, ALUM

Stoughton Number
STRAA35F00230100

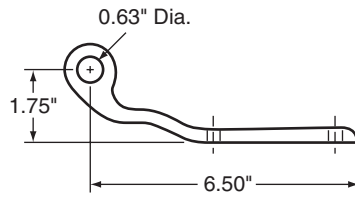
HINGES

Trailmobile



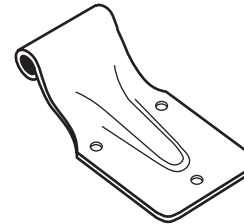
HINGE, 3-HOLE, STEEL

Stoughton Number
TM515-10-61A



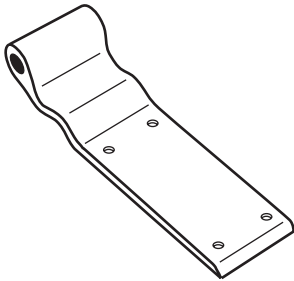
HINGE, 3-HOLE, ALUM

Stoughton Number
TM515-10-65



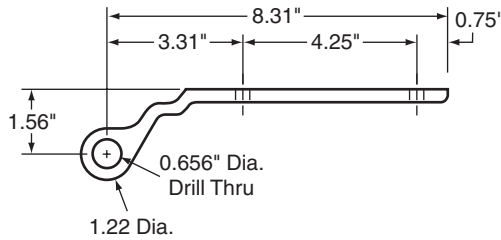
HINGE, 3-HOLE, STEEL STAMPING

Stoughton Number
TM515-10-73A



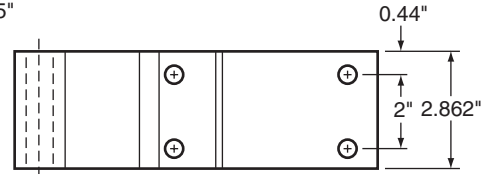
HINGE, 4-HOLE, ALUM, .250" DIA

Stoughton Number
TM515-10-78-1

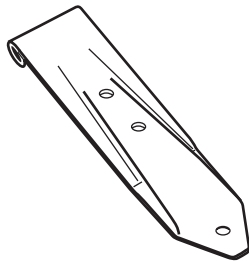


HINGE, 4-HOLE, ALUM, .375" DIA

Stoughton Number
TM515-10-78-2

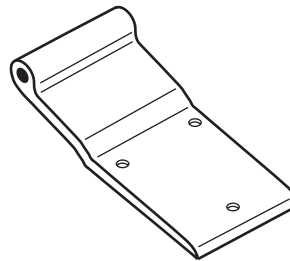


Utility



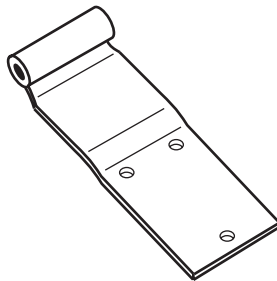
HINGE, 3-HOLE, STEEL, W/STAMPED RIB

Stoughton Number
UT-01-4950-004



4" HINGE, 3-HOLE, PUNCHED, ALUM

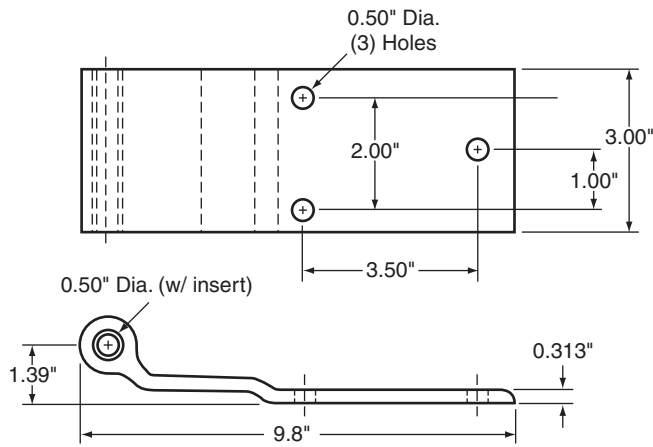
Stoughton Number
UT-03-4100-0-019



3" HINGE, 3-HOLE, PUNCHED, ALUM

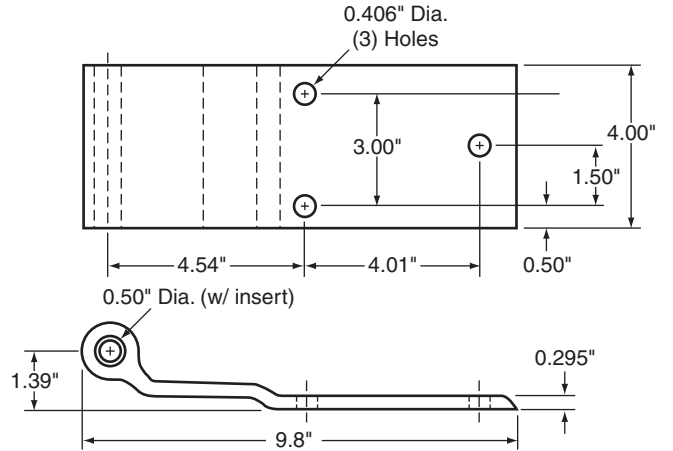
Stoughton Number
UT-03-4100-0-022

HINGES Vanguard Trailers



HINGE, 3-HOLE, ALUM W/INSERT

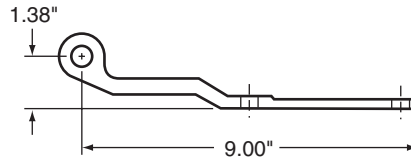
Stoughton Number
VAN-RFP00127



HINGE, 3-HOLE, ALUM

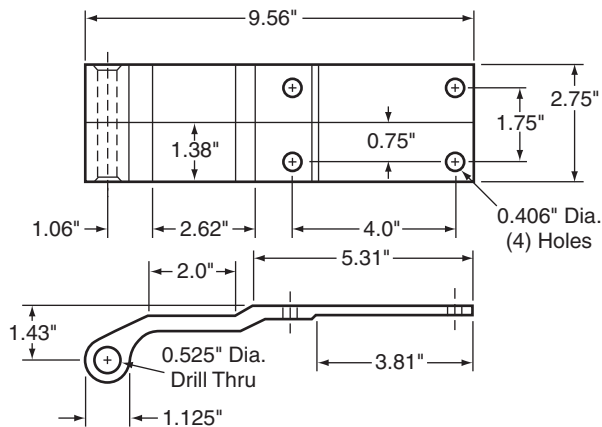
Stoughton Number
VAN-RFP00020

Wabash



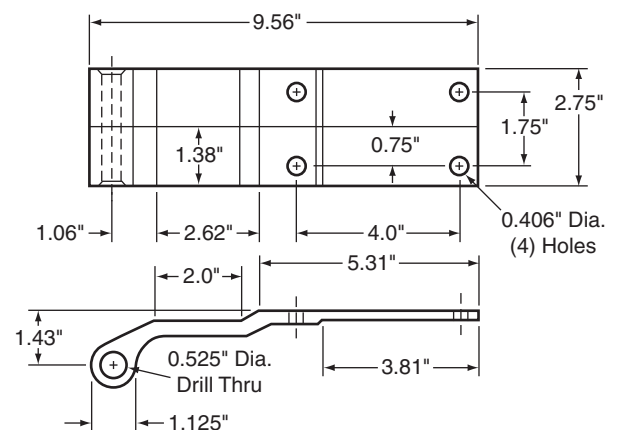
2.75" HINGE, 4-HOLE, OFFSET, ALUM

Stoughton Number
WAB-06300291



2.75" HINGE, 4-HOLE, ALUM

Stoughton Number
WAB-21100291



HINGE, 4-HOLE, ALUM

Stoughton Number
WAB-21101272

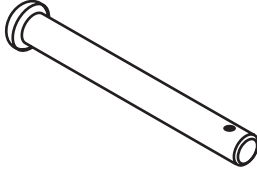
HINGE PINS

Stoughton

Stoughton Number	Description
04 86386 005 00	2 3/4"
MRHP-1054-9	4" Stainless Steel
MRHP-1054-12	4" w/ Hole*
MRHW-1054-8	Hinge Pin Washer

* Uses 04 98510 Roll Pin

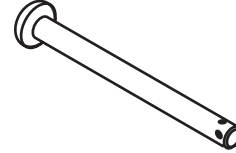
Dorsey



4" HINGE PIN

Stoughton Number
DOR-45248614

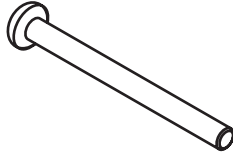
Fruehauf



5.25" HINGE PIN

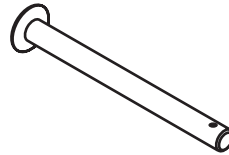
Stoughton Number
FRU#WCE007812001

Great Dane



4.5" HINGE PIN

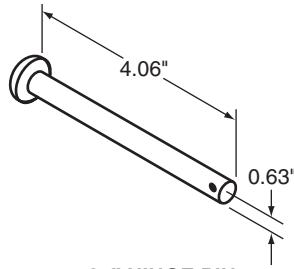
Stoughton Number
GD#3190100



.38" HINGE PIN, ROUND HEAD

Stoughton Number
GD#44573

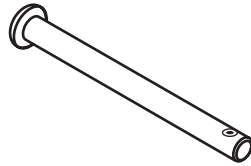
HINGE PINS Trailmobile



4.25" HINGE PIN

Stoughton Number
TM515-12-13

Utility

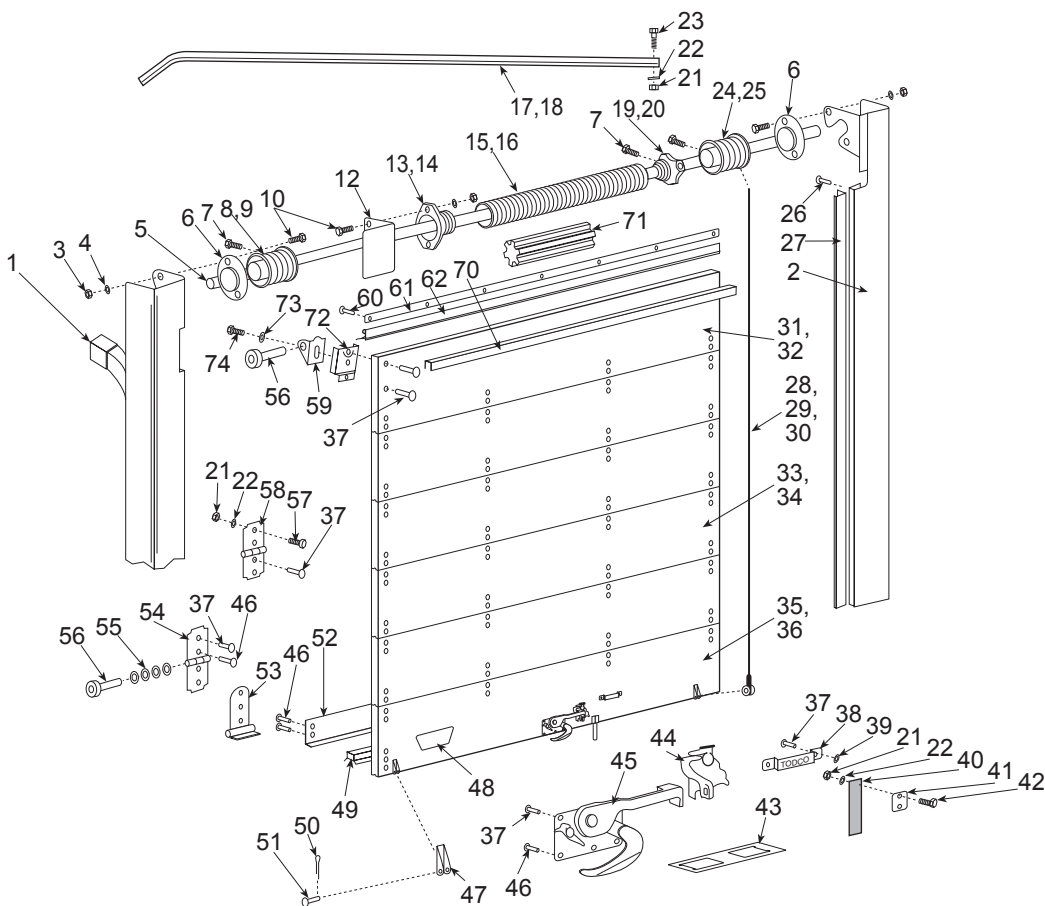


4.45" HINGE PIN, UTILITY STYLE

Stoughton Number
UT-03-6101-0-008

TODCO ROLL-UP DOOR

3/4" Dry Freight Door - Aluminum or Plastic Coated



Overhead Door Size Chart

Stoughton Number	Actual Door Size	Fits Rear Frame Opening:
T99610-1*	90" x 100"	To 87 3/4" Wide x 84" – 100" High, complete with track and operator
T99610-2*	90" x 100"	To 87 3/4" Wide x 84" – 100" High, less track and operator
T99611-1	90" x 90"	To 87 3/4" Wide x 84" – 90" High, complete with track and operator
T99611-2	90" x 90"	To 87 3/4" Wide x 84" – 90" High, less track and operator
T99836-1	98" x 100"	To 94 3/4" Wide x 90" – 100" High, complete with track and operator
T99836-2	98" x 100"	To 94 3/4" Wide x 90" – 100" High, less track and operator
T99837-1*	98" x 105"	To 94 3/4" Wide x 98" – 105" High, complete with track and operator
T99837-2*	98" x 105"	To 94 3/4" Wide x 98" – 105" High, less track and operator
T99838-1	98" x 107"	To 94 3/4" Wide x 98" – 107" High, complete with track and operator
T99838-2	98" x 107"	To 94 3/4" Wide x 98" – 107" High, less track and operator

* General Purpose Doors with 1" Rollers

Width = Opening width plus 2 1/4"

Height = Opening Height minus 1" – 4"

Minimum Clearance = 7 3/4" at Rear Header to Roof Bow

Notes: Do not count bottom gasket when measuring height of door.
Cut the Top Panel before mounting the hardware.

Notes: Please provide door serial number when calling with quote request.

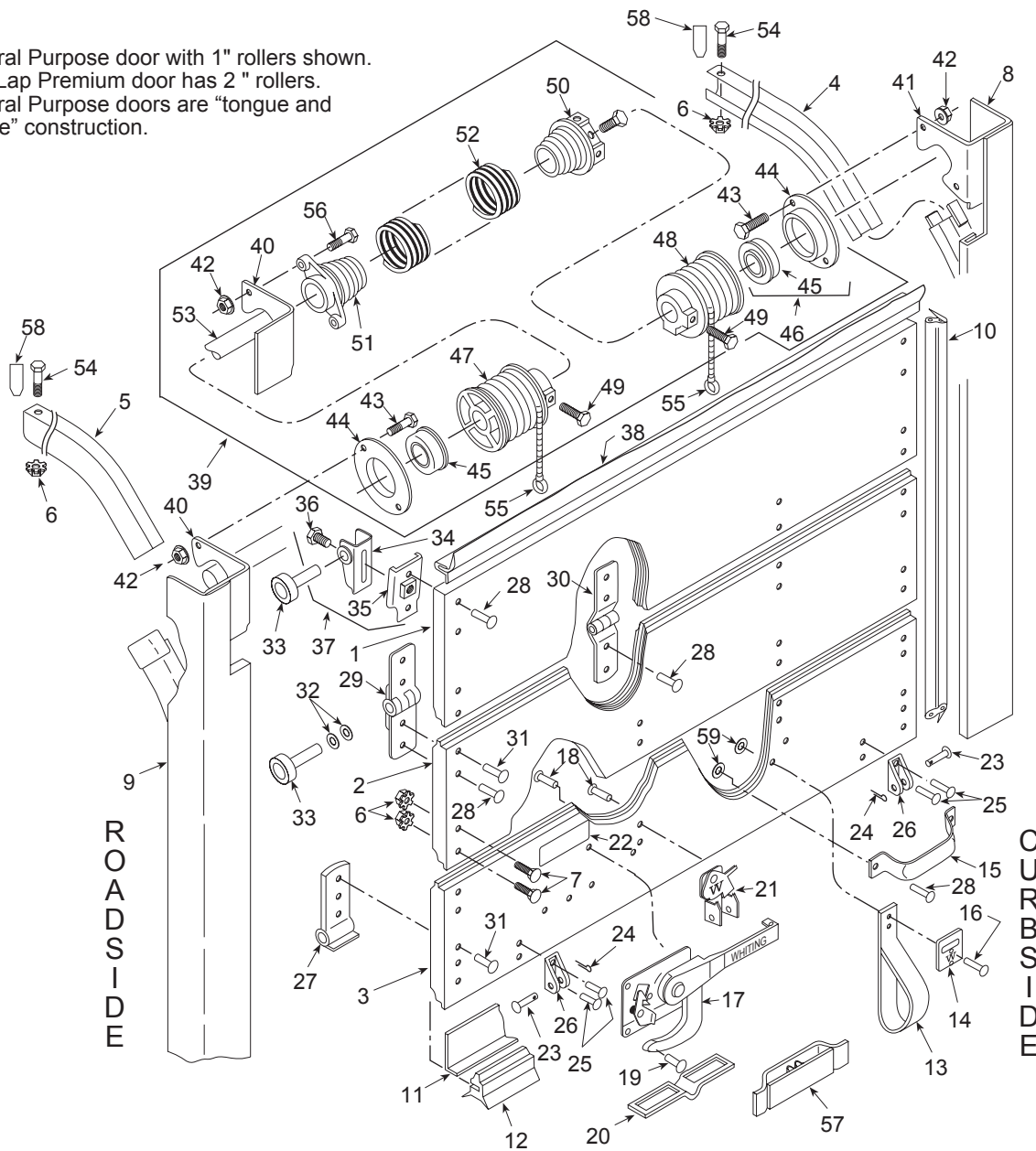
Item No.	Stoughton Number	Description
1	T49014-2	Vertical Track – Right Hand
2	T49014-1	Vertical Track – Left Hand
3	T80352-518	Hex Nut – 5/16" NC
4	T80322-319	Lockwasher – 5/16"
5	T51037	Counterbalance Shaft
6	T51038	Bearing Assembly
7	T80300-2414	Hex Head Set Screw – 3/8" NC x 7/8"
8	T59129-2	Cable Drum – Right Hand to 105" Door Height
9	T59157-4	Cable Drum – Right Hand 105" to 130" Door Height
10	T89186-3	Hex Head Bolt – 5/16" NC x 7/8"
11	–	(Omitted)
12	T51036-2	Spring Anchor Bracket
13	T51043	Spring Anchor Plug – 1 3/4" I.D. Spring
14	T59024	Spring Anchor Plug – 2 1/2" I.D. Spring
15	T51042*	Spring – 1 3/4" I.D.
16	T59031*	Spring – 2 1/2" I.D.
17	T49702-2	Horizontal Track – Right Hand
18	T49702-1	Horizontal Track – Left Hand
19	T59158	Spring Winding Plug – 1 3/4" I.D. Spring
20	T59159	Spring Winding Plug – 2 1/2" I.D. Spring
21	T80352-420	Hex Nut – 1/4" NC
22	T80322-255	Lockwasher – 1/4"
23	T89105-416	Hex Head Bolt – 1/4" NC x 2"
24	T59129-1	Cable Drum – Left Hand to 105" Door Height
25	T59157-3	Cable Drum – Left Hand 105" to 130" Door Height
26	T89100-1	Driver Rivet – 3/16" Diameter
27	T61390	Side Seal – Pair
28	T51044	Cable Assembly – to 100" Door Height
29	T59004	Cable Assembly – 100" to 105" Door Height
30	T59003	Cable Assembly – 105" to 120" Door Height
31	T29013	Top Panel – Plastic. No Hardware
32	T29017	Top Panel – Aluminum Covered. No Hardware
33	T29014	Intermediate Panel – Plastic. No Hardware
34	T29018	Intermediate Panel – Aluminum Covered. No Hardware
35	T29016**	Bottom Panel – Plastic
36	T29020**	Bottom Panel – Aluminum Covered
37	T89210-0032	Rivet – 1"
38	T61401	Lift Handle
39	T80302-1720	Flat Washer – 1/4" Diameter
40	T80844	Pull Strap
41	T69832	Pull Strap Retainer
42	T89004-1	Splined Carriage Bolt – 1/4" x 1 1/2"
43	T70093	Catch Box
44	T69572	Keeper Assembly
45	T69571	Maximum Security Lock Assembly
46	T89210-0036	Rivet – 1 1/8"
47	T61204	Cable Anchor Bracket
48	T69793	Name Plate
49	T80840	Bottom Seal
50	T80401-316	Cotter Pin – 3/32" Diameter
51	T61026	Cable Anchor Pin
52	T61191	Bottom Angle
53	T61352	Bottom Fixture
54	T69035	End Hinge
55	T80020	Spacer Washer – Roller
56	T61174	Roller
57	T80015-1610	Step Bolt – 1/4" x 1 1/4"
58	T61196	Center Hinge
59	T69431	Slide – Adjustable Top Fixture
60	T89100-2	Drive Rivet
61	T61403	Retainer – Head Seal
62	T61402	Head Seal
70	T69314	Top Channel
71	T59092	Filter Plug – 2 1/2" I.D. Spring
72	T69432	Base – Adjustable Top Fixture
73	T80302-2436	Flat Washer – 3/8"
74	T89049	E-Lok Bolt – 3/8" NC

* Give spring length and number of coils in 10" of spring when ordering.
 ** Includes Bottom Seal, Bottom Roller Holders and Bottom Angle, drilled for lock. Does *not* include Lock, Pull Strap, Lift Handle or Cable Anchors.

WHITING GENERAL PURPOSE ROLL-UP-DOOR

3/4" Dry Freight Door - General Purpose

General Purpose door with 1" rollers shown.
 Ship-Lap Premium door has 2" rollers.
 General Purpose doors are "tongue and groove" construction.



Overhead Door Size Chart

Stoughton Number	Actual Door Size	Fits Rear Frame Opening:
WGP90X90	90" x 90"	To 87 3/4" Wide x 84" – 90" High, less track and operator
WGP90X90KIT	90" x 90"	To 87 3/4" Wide x 84" – 90" High, complete with track and operator
WGP96X100	96" x 100"	To 93 3/4" Wide x 91" – 100" High, less track and operator
WGP96X100KIT	96" x 100"	To 93 3/4" Wide x 91" – 100" High, complete with track and operator
WGP96X107	96" x 107"	To 93 3/4" Wide x 98" – 107" High, less track and operator
WGP96X107KIT	96" x 107"	To 93 3/4" Wide x 98" – 107" High, complete with track and operator

Width = Wall to wall width minus 2 5/8"
 Height = Opening Height minus 1" – 4"
 Minimum Clearance = 7 3/4" at Rear Header to Roof Bow

Notes: Do not count bottom gasket when measuring height of door.

Notes: Please provide door serial number when calling with quote request.

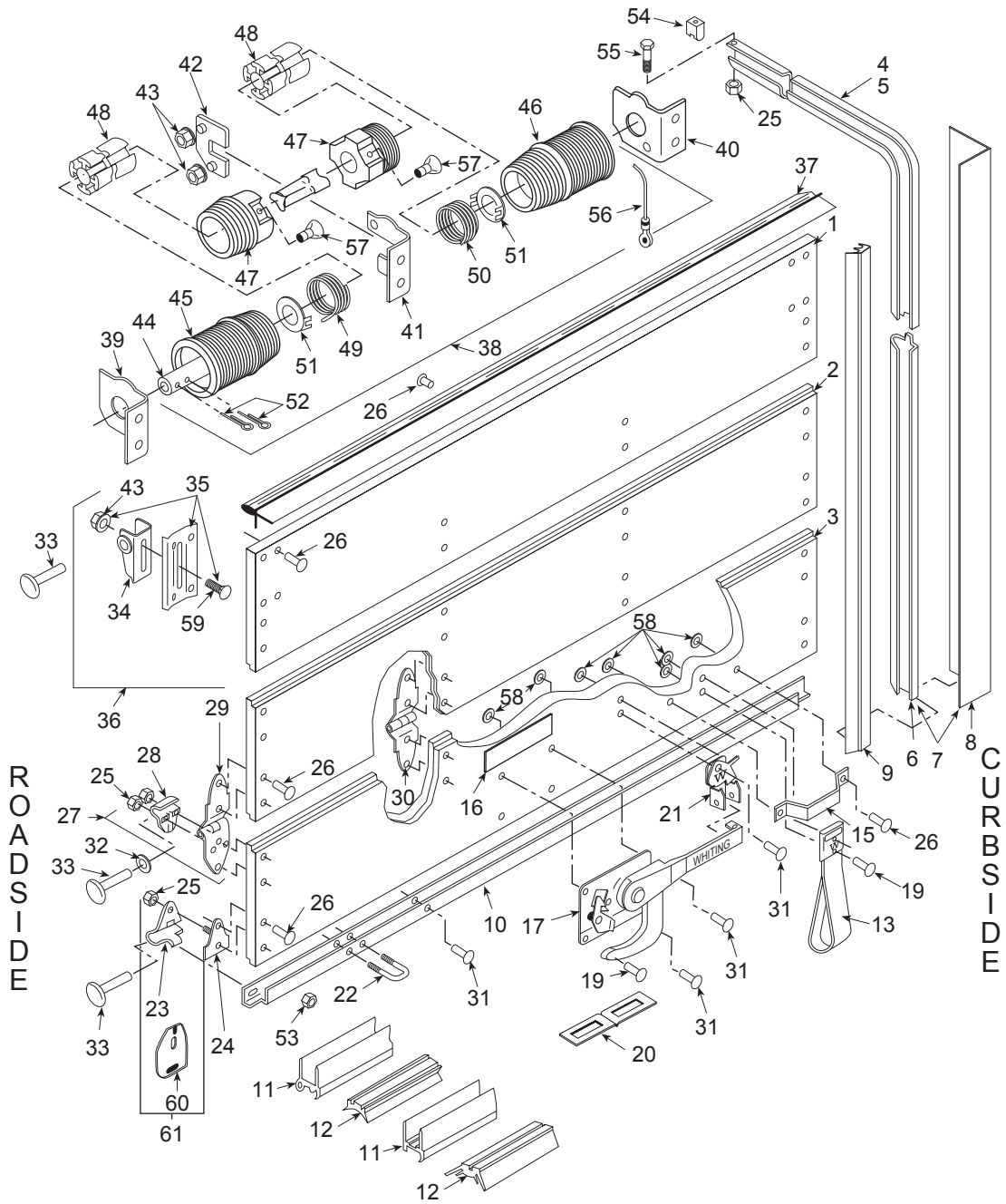


WHITING GENERAL PURPOSE PARTS LIST

Item No.	Stoughton Number	Description
1	W4441	Top Panel – Plastic – Complete [Specify length and width]
1	W4429	Top Panel – Aluminum Clad – Complete [Specify length and width]
2	W4042	Intermediate Panel – Plastic – No Hardware [Specify length and width]
2	W4130	Intermediate Panel – Aluminum Clad – No Hardware [Specify length and width]
3	W4445	Bottom Panel – Plastic – Complete [Specify length and width]
3	W4433	Bottom Panel – Aluminum Clad – Complete [Specify length and width]
4	W4053	Horizontal Track – Left Hand – Curbside [Specify length]
5	W4052	Horizontal Track – Right Hand – Roadside [Specify length]
6	W10-1022-1	Hex Nut – Self – locking – 1/4 NC
7	W10-1003-11	Step Bolt
8	W4046	Vertical Track & Mounting Angle Assembly – Left Hand – Curbside [Specify length of each]
9	W4045	Vertical Track & Mounting Angle Assembly – Right Hand – Roadside [Specify length of each]
10	W4019	Side Seal – Each [Specify length]
11	W4034	Bottom Angle Seal Retainer – No Holes [Specify length]
12	W3257	Bottom Seal [Specify length]
13	W9723	Pull Strap – 19" with #W7575 Retainer
13	W9723-1	Pull Strap – 32" with #W7575 Retainer
13	W9723-2	Pull Strap – 42" with #W7575 Retainer
14	W7575	Pull Strap Retainer
15	W1715	Lift Handle
16	W10-1002-4	Rivet – 1/4 x 1 3/16 x 3/4" Head
17	W4077	Cam Lock, No Keeper
18	W10-1002-42	Rivet – 1/4 x 1 1/16 x 3/4" Head
19	W10-1002-11	Rivet – 1/4 x 1 1/8 x 1/2" Head
20	W4021	Latch Plate
21	W7515	Keeper Assembly
22	W3034	"Do Not Move" Decal
23	W10-1004-2	Cable Anchor Clevis Pin
24	W10-1009-5	Cotter Pin
25	W10-1002-9	Rivet – 1/4 x 1 5/16 x 1/2" Head
26	W4004	Cable Anchor Bracket
27	W4003	Bottom Roller Fixture
27	W8813	Bottom Roller Fixture, High Strength, 2 Piece, Roadside
27	W8814	Bottom Roller Fixture, High Strength, 2 Piece, Curbside
28	W10-1002-3	Rivet – 1/4 x 1 x 3/4" Head – Steel
28	W10-1002-73	Rivet 1/4 x 1 1/16 x 3/4" Head – Aluminum
29	W4007	End Hinge
29	W8656	End Hinge – High Strength
30	W4012	Center Hinge
30	W8654	Center Hinge – High Strength
31	W10-1002-36	Rivet – 1/4 x 1 1/8 x 3/4" Head – Steel
31	W10-1002-54	Rivet – 1/4 x 1 1/8 x 3/4" Head – Aluminum
32	W6	Spacer Washer – Roller
33	W4027	Rivet – 1" Stamped, Steel
34	W4038	Slide – Adjustable Top Fixture
34	W8652	Slide – Adjustable Top Fixture – High Strength
35	W4051	Base – Adjustable Top Fixture
36	W10-1073-2	Bolt – Adjustable Top Fixture
37	W4039	Adjustable Top Fixture Assembly – Complete
38	W4032	Top Seal [Specify length]
39	W4090	Balancer Assembly – Complete Less Mounting Brackets [Does NOT include Nos. 40, 46, & 55] [Specify door dimensions]
40	W4028	Balancer Mounting Bracket – Right Hand – Roadside & Center
41	W4029	Balancer Mounting Bracket – Left Hand – Curbside
42	W10-1063-1	Hex Nut – Self-locking – 5/16 NC
43	W10-1010-8	Bolt – 5/16 NC x 5/8"
44	W4032	Bearing Retainer
45	W10-1025-4	Bearing
46	W4033	Bearing & Retainer Assembly – 1" Ball Bearing
47	W4014	Cable Drum – 3" Diameter – Roadside – Right Hand – Up to 105" Door
47	W4128	Cable Drum – 3" Diameter – Roadside – Right Hand – Up to 144" Door
48	W4013	Cable Drum – 3" Diameter – Curbside – Left Hand – Up to 105" Door
48	W4127	Cable Drum – 3" Diameter – Curbside – Left Hand – Up to 144" Door
49	W2699	Hex Head Set Screw – 3/8 NC x 7/8"
50	W4050	Spring Winding Plug – 1 3/4"
51	W4025	Spring Winding Plug – 1 3/4"
52	W2701	Torsion Spring – 1 3/4" Diameter [Specify size]
53	W3100	Counterbalance Shaft [Specify length]
54	W10-1010-31	Hex Head Bolt – 1/4 NC x 2"
55	W4020-1	Stainless Steel Cable Assembly – 1/4 Eye, 115" – Up to 105" Door
56	W10-1010-9	Hex Head Bolt – 5/16 NC x 1"
57	W4024	Catch Box
58	W4204	1" Track Stop Bumper
59	W10-1006-1	Washer

WHITING PREMIUM ROLL-UP-DOOR

3/4" Dry Freight Door - Aluminum Clad or Premium Plastic



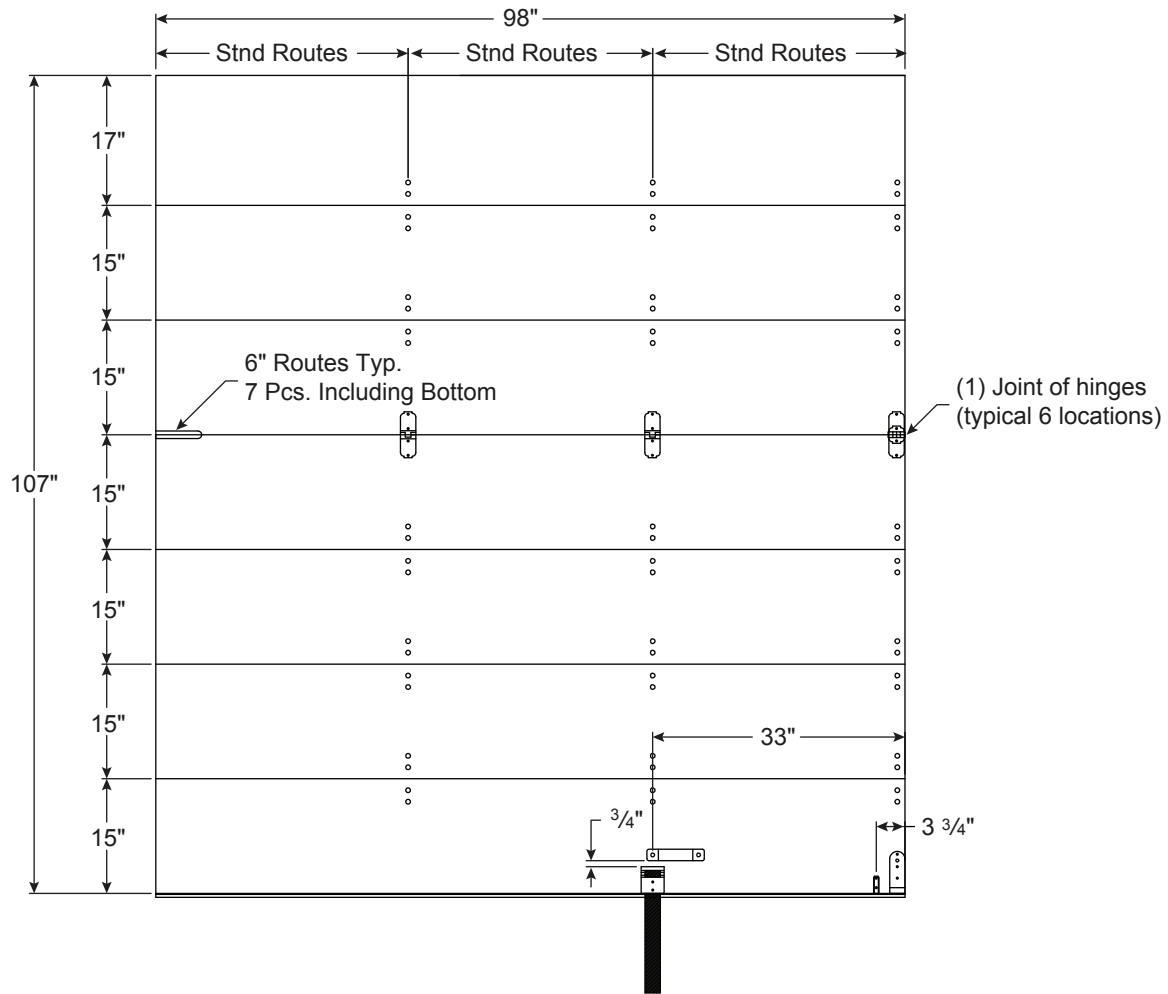


WHITING PREMIUM PARTS LIST

Item No.	Stoughton Number	Description
1	W241	Top Panel Complete – Plastic – Ship Lap Joint [Specify length and width]
1	W341	Top Panel Complete – Plastic – Tongue & Groove Joint [Specify length and width]
1	W251	Top Panel Complete – Aluminum – Ship Lap Joint [Specify length and width]
1	W352	Top Panel Complete – Aluminum – Tongue & Groove Joint [Specify length and width]
2	W242	Intermediate Panel – Plastic – Ship Lap Joint [Specify length and width]
2	W342	Intermediate Panel – Plastic – Tongue & Groove Joint [Specify length and width]
2	W252	Intermediate Panel – Aluminum – Ship Lap Joint [Specify length and width]
2	W352	Intermediate Panel – Aluminum – Tongue & Groove Joint [Specify length and width]
3	W248	Bottom Panel Complete, with Seal - Plastic - Ship Lap Joint [Specify length and width]
3	W348	Bottom Panel Complete, with Seal - Plastic - Tongue & Groove Joint [Specify length and width]
3	W258	Bottom Panel Complete, with Seal - Aluminum - Ship Lap Joint [Specify length and width]
3	W358	Bottom Panel Complete, with Seal - Aluminum - Tongue & Groove Joint [Specify length and width]
4, 5	W11-XX	2" Horizontal Track [Specify length, radius & curbside or roadside]
6	W1031	2" Vertical Track –Roadside or Curbside [Specify length]
7	W2275-1	Vertical Track & Mounting Angle Assembly – Curbside [Specify length and size of each]
7	W2275-2	Vertical Track & Mounting Angle Assembly– Roadside [Specify length and size of each]
8	WXX	Mounting Angle [Specify length and size]
9	W5423	Side Seal, Vinyl, Drive In Style [Specify length]
10	W18-3	Bottom U Channel– Steel [Specify length, balancer type and lock type]
11	W1801	Bottom U Channel Seal Retainer–Aluminum [Specify length, balancer type and lock type]
11	W8280-2	Bottom U Channel Seal Retainer– Aluminum [Specify length, balancer type and lock type]
12	W1676	Bottom Seal [Specify length] for use with W1801 Channel
12	W5735	Bottom Seal [Specify length] for use with W8280–2 Channel
13	W9723-XX	Pull Down Strap [Specify door height]
15	W1715	Grab Handle
16	W3034	"Do Not Move" Decal
17	W77	Lock Assembly– No Keeper
19	W10-1002-9	Rivet– 1/4 x 1 5/16" – 1/2 HD
19	W10-1002-49	Rivet 1/4 x 9/32" – 1/2 HD Stainless Steel
20	W2804	Latch Plate
21	W7515	Handle Keeper
22	W70-13	Cable Anchor– 1 1/4" U–Bolt
23	W1021	Bottom Roller Shaft Cover
24	W1370	Bottom Roller Bracket Stud Plate
25	W10-1022-1	Kep Nut 1/4 x 20
26	W10-1002-3	Rivet 1/4 x 1" – 3/4 HD Cadium Plated Steel
26	W10-1002-23	Rivet 1/4 x 1 1/32" – 3/4 HD Stainless Steel
26	W10-1002-73	Rivet 1/4 x 1 1/16" – 3/4 HD Aluminum
27	W1209	Roller Hinge Complete with Cover Clamp and Nuts
28	W1208	Roller Hinge Cover Clamp
29	W1207	Roller Hinge
30	W15	Center Hinge
31	W10-1002-11	Rivet– 1/4 x 1 1/8" – 1/2 HD
32	W6	Spacer Washer
33	W3228	2" Nylon Roller
33	W2996	2" Steel Roller
34	W6943	Top Closure Slide
35	W1264	Top Closure Base with Nuts and Bolts
36	W6944	Top Closure Assembly Complete
37	W4032	Top Seal [Specify length]
38	W2376	Balancer Assembly [Less items 39–43, 52, 56] [Specify wire size, spring length and shaft length]
39	W2524	Balancer Bracket – Roadside
40	W2523	Balancer Bracket – Curbside
41	W2525	Balancer Bracket – Center
42	W2526	Balancer Bracket Clamp
43	W10-1063-1	Self Locking Nut – 5/16 – 18
44	W2528	Balancer Shaft [Specify length]
45	W2547	Cable Drum and Bearing Assembly (W2901) – Roadside
46	W2548	Cable Drum and Bearing Assembly (W2902) – Curbside
47	W2518	Winding Cone
48	W2471	Spring Spacer (Cut to Relaxed Spring Length + 4 1/4")
49	W2704	Torsion Spring – Roadside – Left Hand Wound [Specify size]
50	W2705	Torsion Spring – Curbside – Right Hand Wound [Specify size]
51	W2522	Thrust Washer
52	W10-1009-8	Cotter Pin – 3/16 x 1 1/2"
53	W10-1033-2	Self Locking Nut 5/16" x 18"
54	W83	2" Track Stop Bumper
55	W10-1010-3	Bolt – 1/4 – 20 x 2 1/2"
56	W1-XX	1/8" Stainless Steel Cable with 5/16" Eye [Specify door height]
57	W2699	Set Screw – 3/8 – 16 x 5/8"
58	W10-1006-1	Washer – 1/4 x 3/4"
59	W2370	Bolt – 5/16 x 5/8"
60	W5726	Wear Plate – for Doors with Bottom Seal
61	W1371	Complete Bottom Bracket with Cover

TRANSGLOBAL UNIVERSAL ROLL-UP-DOOR

98" x 107" Universal Door – White – TG98X107PPW





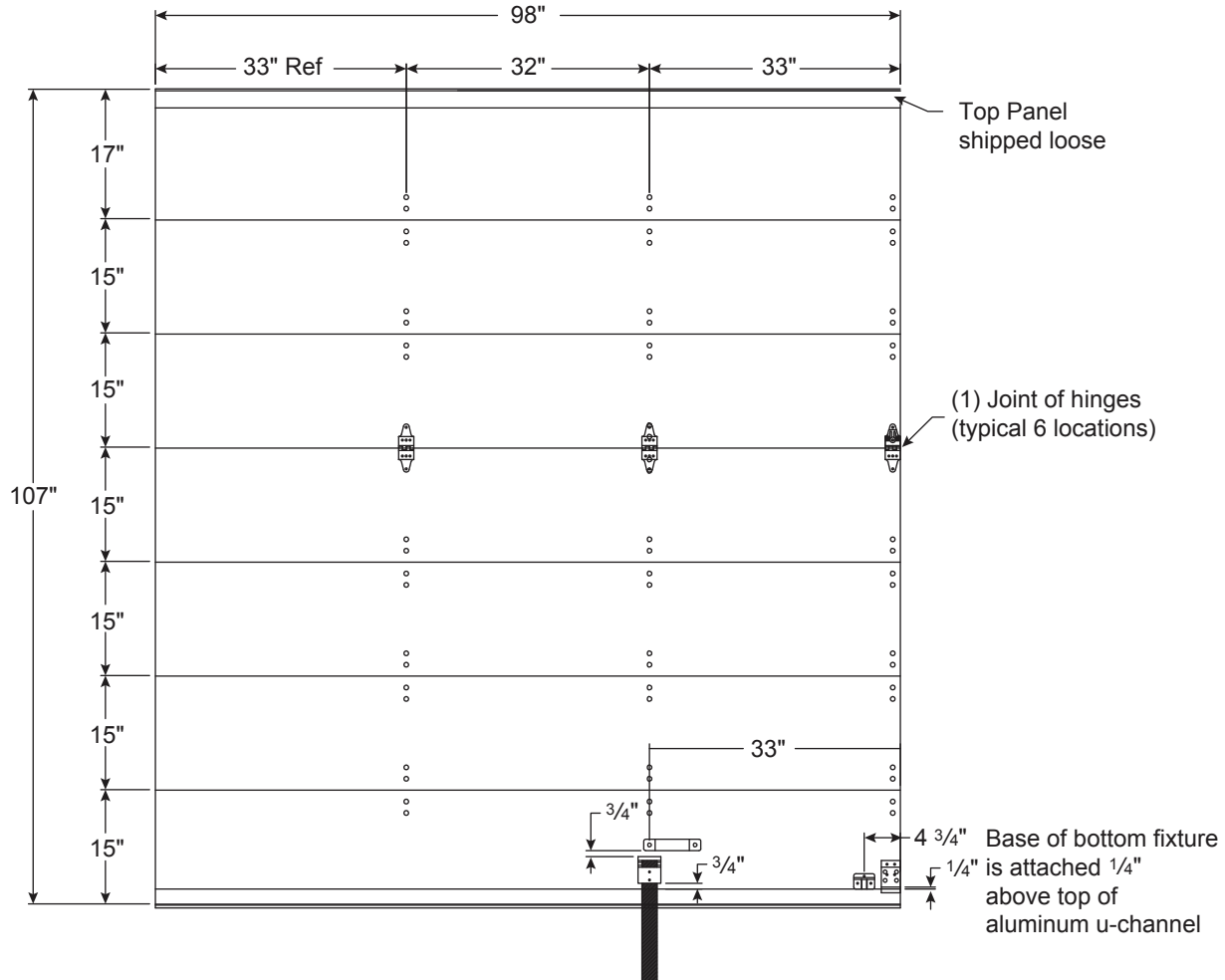
TRANSGLOBAL UNIVERSAL PARTS LIST

Quantity	Stoughton Number	Description
Attached Hardware		
(6)	TG-69035	End Hinge
(12)	TG-61196	Center Hinge
(1)	TG-61352	Bottom Fixture (3-1 ¹ / ₈ "
(1)	TG-4004	Cable Anchor Bracket – Black (2 – 1 ¹ / ₈ "
(1)	TG-1715	Lift Handle – Black
(1)	TG-80844-19	19" Pull Strap (2 – 1 ¹ / ₈ "
(1)	TG-99991-93	93" Bottom Angle Steel
(1)	TG-80840	Bottom Rubber (Uncut)
(77)	TG-89210-32	1" Tubular Steel Rivets
(7)	TG-89210-36	1 ¹ / ₈ " Tubular Steel Rivets
Loose Hardware		
(18)	TG-89210-32	1" Tubular Steel Rivets
(21)	TG-89210-36	1 ¹ / ₈ " Tubular Steel Rivets
(8)	TG-80015-1610	1 ¹ / ₄ " Step Bolts
(12)	TG-80020	Spacer Washers
(2)	TG-61026	Cable Anchor Pins
(2)	TG-80401-316	Cotter Pins
(8)	TG-89231-2	1 ¹ / ₄ " Kep Nuts
(16)	TG-61174	1" Steel Rollers
(1) Pair	TG-913041	130" Galvanized Cables
(2)	TG-61403	Header Seal Retainer 96"
(1)	TG-61402	Header Seal
(1)	TG-69571	Maximum Security Lock (2 – 1", 3 – 1 ¹ / ₈ "
(1)	TG-69572	Keeper
(6)	TG-69035	End Hinge
(1)	TG-61352	Bottom Fixture (3 – 1 ¹ / ₈ "
(1)	TG-4004	Cable Anchor Bracket – Black (2 – 1 ¹ / ₈ "
(2)	TG-69433	Adjustable Top Fixture Complete



TRANSGLOBAL UNIVERSAL FLUSH MOUNT ROLL-UP-DOOR

98" x 107" Universal Door – Flush Mount Hardware – White – TG-98X107 WH



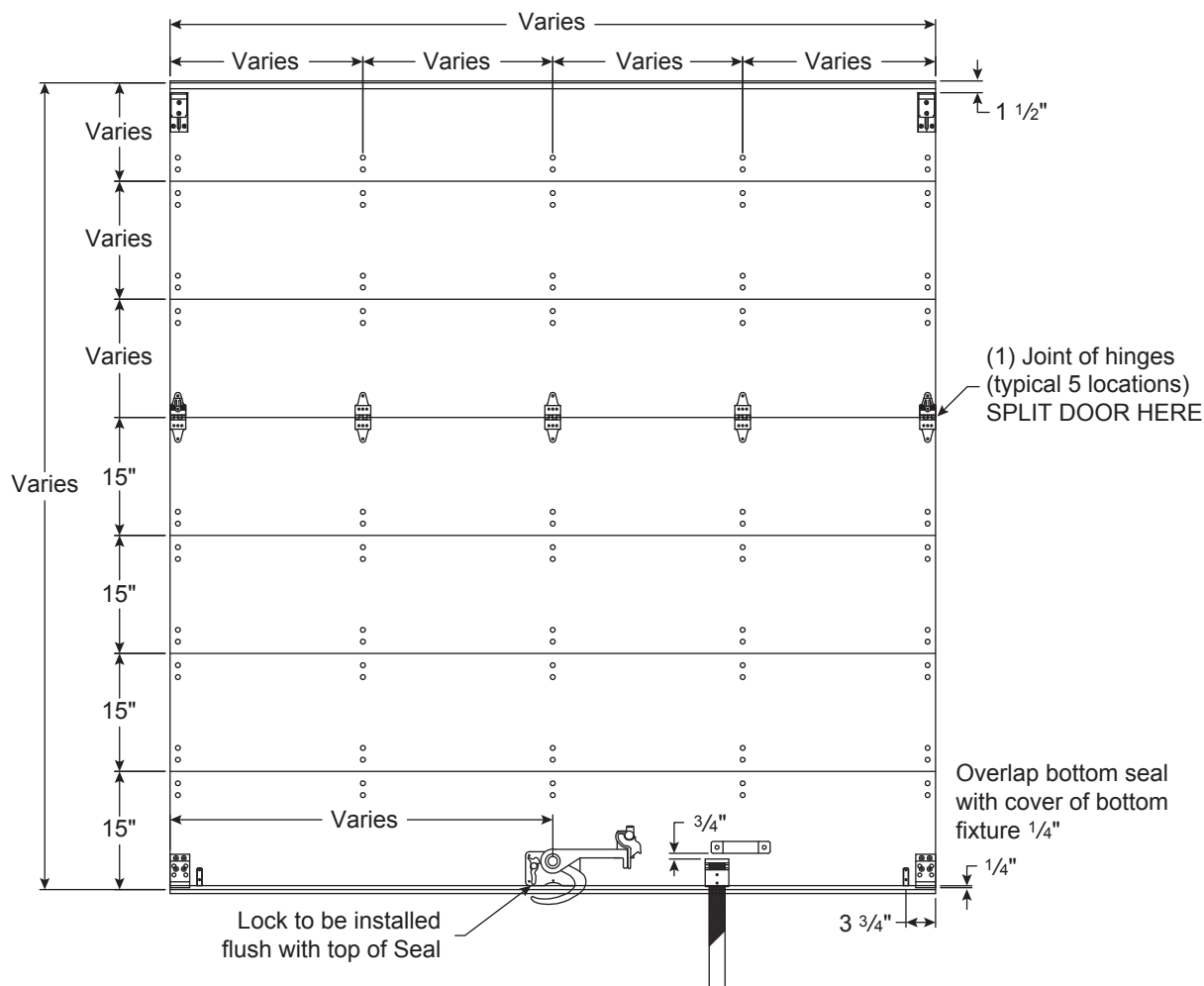


TRANSGLOBAL UNIVERSAL FLUSH MOUNT PARTS LIST

Quantity	Stoughton Number	Description
Attached Hardware		
(6)	TG-1209-A	Roller Hinge Complete (24 – 1")
(12)	TG-15	Center Hinge (24 – 1")
(1)	TG-5600-2.5	Heavy Duty Bottom Fixture (2 – 7/8" and 2 – 1")
(1)	TG-5803	Heavy Duty Cable Anchor Bracket – Black (1 – 1", 2 – 1 1/4")
(1)	TG-1715	Lift Handle – Black (2 – 1")
(1)	TG-9723-19-2	19" Pull Strap (2 – 1")
(1)	TG-8280-2	Aluminum Retainer (4 – 1 1/8")
(1)	TG-5735	Bottom Seal
(73)	TG-89210-32	1" Tubular Steel Rivets
(4)	TG-89210-36	1 1/8" Tubular Steel Rivets
(2)	TG-89210-40	1 1/4" Tubular Steel Rivets
Loose Hardware		
(45)	TG-89210-32	1" Tubular Steel Rivets
(7)	TG-89210-40	1 1/4" Tubular Steel Rivets
(2)	TG-6944	Whiting Top Fixture
(8)	TG-80015-1610	1 1/4" Step Bolts
(16)	TG-80020	Spacer Washers
(2)	TG-61026	Cable Anchor Pins
(2)	TG-10-1004-1	Cotter Pins (5/16")
(8)	TG-89231-2	1/4" Kep Nuts
(16)	TG-2996	2" Steel Rollers
(1) Pair	TG-913042	130" Galvanized Cables
(1)	TG-61403	Header Seal Retainer 96"
(1)	TG-61402	Header Seal
(1)	TG-77	Lock Assembly
(1)	TG-7515	Keeper
(6)	TG-1209-A	Roller Hinge Complete
(1)	TG-5600-2.5	Heavy Duty Bottom Fixture (2 – 1", 2 – 1 1/8")
(1)	TG-5803	Heavy Duty Cable Anchor Bracket

TRANSGLOBAL EXTREME DUTY ROLL-UP-DOOR

98" x 105" x 0.5" x 1" Extreme Duty White Composite Door



Extreme Duty Composite Roll-Up Doors Feature...

- Five year limited warranty
- Designed specifically to work with our REVOLUTIONARY HEAVY DUTY, PATENT U.S. PAT # 7,681,284B1 HINGES, which are six times stronger than conventional hinges available on the market
- Tongue & groove design for maximum cargo protection
- Hardware is e-coated to a minimum of 1,000 hour salt spray for corrosion resistance; fasteners are aluminum or stainless steel
- Composite panels are paintable
- 100 percent recyclable materials

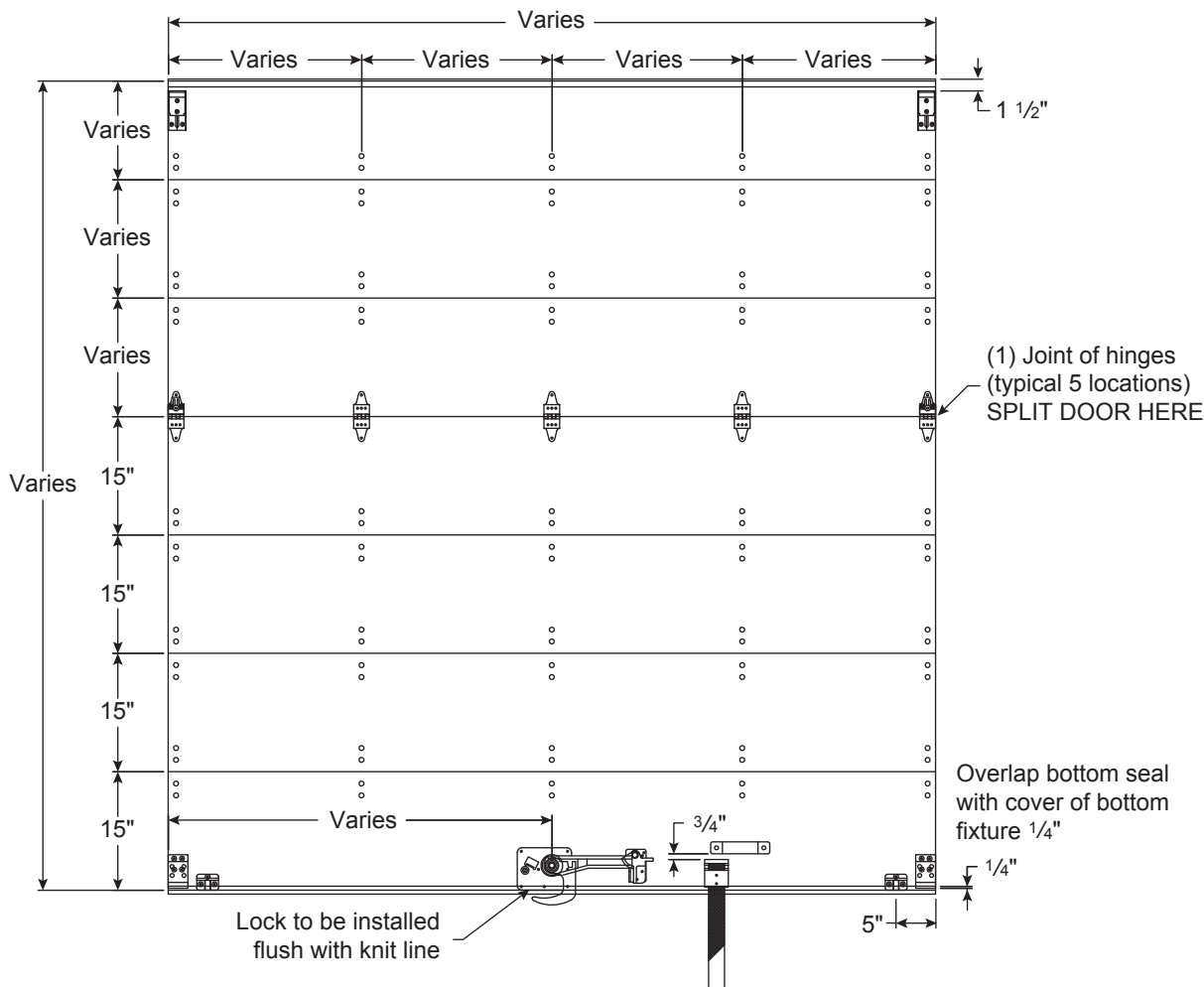


TRANSGLOBAL EXTREME DUTY PARTS LIST

Quantity	Stoughton Number	Description
Attached Hardware		
(1)	TG-70001-5	1/2" Dual Durometer Top Panel Seal (Glue and Fasten 8" O.C.)
(2)	TG-1264	Top Closure Base
(10)	TG-HD1209-A	HD Roller Hinge Complete
(2)	TG-HD1207-2	Half of a Roller Hinge
(2)	TG-1208	Roller Hinge Cover
(15)	TG-HD15	HD Center Hinge
(8)	TG-HD15-2	Half of a Center Hinge
(1)	TG-1715	Lift Handle Black
(1)	TG-9723-24-1	24" Black Pull Strap, No Loop
(2)	TG-4004	Cable Anchor Bracket, Black
(2)	TG-HD-5600-2.5	HD Bottom Fixture
(1)	TG-69571	MS Lock Assembly
(1)	TG-69572	Lock Keeper Assembly
(1)	TG-61193	Bottom Angle for .50" Comp. (Bottom)
(48)	TG-80840-1	Bottom Rubber (Uncut)
(1) Pair	TG-913041	Cable 105" 7x7 Galvanized 1/4" Nylon Eye
(2)	TG-61026	1/4" x 1" Cable Anchor Pin
(2)	TG-80401-316	3/32" x 1" Cotter Pin
Loose Hardware		
(16)	TG-61174	1" Steel Rollers
(16)	TG-80020	Spacer Washers
(1)	TG-70093	Catch Plate – MS Lock
(5)	TG-10-1009-2	Center Pins for Flush Mount Hinges
(5)	TG-10-1004-2	1/4" Rue Ring Cotter Pin
(2)	TG-6943	Top Closure Slide

TRANSGLOBAL EXTREME DUTY ROLL-UP DOOR

Stoughton – 98" x 105" x 0.5" x 2" Extreme Duty White Composite Door



Extreme Duty Composite Roll-Up Doors Feature...

- Five year limited warranty
- Designed specifically to work with our REVOLUTIONARY HEAVY DUTY, PATENT U.S. PAT # 7,681,284B1 HINGES, which are six times stronger than conventional hinges available on the market
- Tongue & groove design for maximum cargo protection
- Hardware is e-coated to a minimum of 1,000 hour salt spray for corrosion resistance; fasteners are aluminum or stainless steel
- Composite panels are paintable
- 100 percent recyclable materials



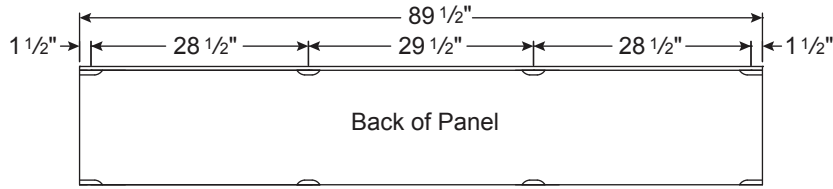
TRANSGLOBAL EXTREME DUTY PARTS LIST

Quantity	Stoughton Number	Description
Attached Hardware		
(1)	TG-70001-5	1/2" Dual Durometer Top Panel Seal (Glue and Fasten 8" O.C.)
(2)	TG-1264	Top Closure Base
(10)	TG-HD1209-A	HD Roller Hinge Complete
(2)	TG-HD1207-2	Half of a Roller Hinge
(2)	TG-1208	Roller Hinge Cover
(15)	TG-HD15	HD Center Hinge
(8)	TG-HD15-2	Half of a Center Hinge
(1)	TG-1715	Lift Handle Black
(1)	TG-9723-24-1	24" Black Pull Strap, No Loop
(2)	TG-5803	HD Cable Anchor Bracket
(2)	TG-HD-5600-2.5	HD Bottom Fixture
(1)	TG-77	Security Lock - WH
(1)	TG-7515	Lock Keeper - WH
(1)	TG-61193	Bottom Angle for .50" Comp. (Bottom)
(48)	TG-80840-1	Bottom Rubber (Uncut)
(1) Pair	TG-913042	Cable 105" 7x7 Galvanized 5/16" Nylon Eye
(2)	TG-10-1004-1	Clevis Pin 5/16" x 1" Zinc
(2)	TG-80401-316	3/32" x 1" Cotter Pin
Loose Hardware		
(16)	TG-61174	1" Steel Rollers
(16)	TG-80020	Spacer Washers
(1)	TG-70093	Catch Plate - MS Lock
(5)	TG-10-1009-2	Center Pins for Flush Mount Hinges
(5)	TG-10-1004-2	1/4" Rue Ring Cotter Pin
(2)	TG-6943	Top Closure Slide

TRANSGLOBAL REPLACEMENT PANELS

Intermediate Panels

INTERMEDIATE REPLACEMENT PANELS (DRY-FREIGHT)



Stoughton Number	Description
Tongue and Grooved w/ Routes – Specify Size	
TG-32110-B	10"-12" x up to 98.25" Intermediate Panel - Primed
TG-32150-B	13"-18" x up to 98.25" Intermediate Panel - Primed
TG-32111-B	10"-12" x up to 98.25" Intermediate Panel - PPW
TG-32151-B	13"-18" x up to 98.25" Intermediate Panel - PPW
Tongue and Grooved No Routes – Specify Size	
TG-32110-1B	10"-12" x up to 98.25" Intermediate Panel - Primed
TG-32150-1B	13"-18" x up to 98.25" Intermediate Panel - Primed
TG-32111-1B	10"-12" x up to 98.25" Intermediate Panel - PPW
TG-32151-1B	13"-18" x up to 98.25" Intermediate Panel - PPW
Ship Lap Joint - No Routes – Specify Size	
TG-32110-2B	10"-12" x up to 98.25" Intermediate Panel - Primed
TG-32150-2B	13"-18" x up to 98.25" Intermediate Panel - Primed
TG-32111-2B	10"-12" x up to 98.25" Intermediate Panel - PPW
TG-32151-2B	13"-18" x up to 98.25" Intermediate Panel - PPW

Options:

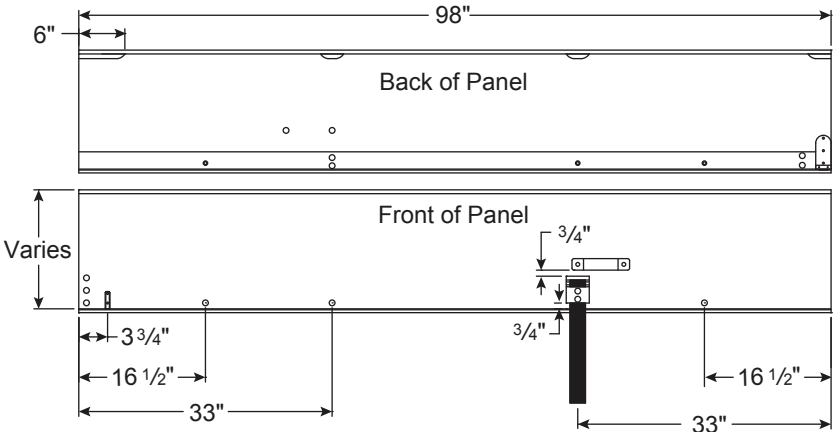
Extra Hinge Routes - Custom Sizes, Special Colors - Packaged 5 Per Box



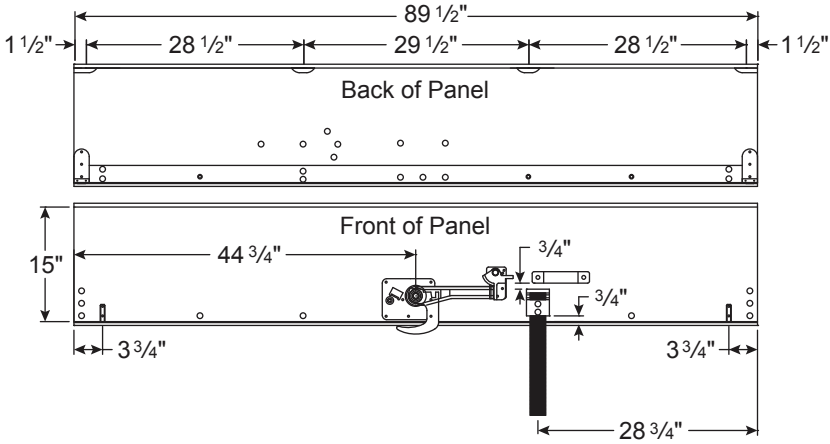
TRANSGLOBAL REPLACEMENT PANELS

Bottom Panels

**BOTTOM PANELS
(FOR 1" ROLLERS)**



**BOTTOM PANELS
(FOR 2" ROLLERS)**



Stoughton Number	Description
BOTTOM PANELS FOR 1" ROLLERS	
Tongue and Grooved No Routes – Specify Size – Aluminum U-Channel and Seal Only	
TG-33110-1B	10"-12" x up to 98.25" Bottom Panel Aluminum Channel and Seal - Primed
TG-33150-1B	13"-18" x up to 98.25" Bottom Panel Aluminum Channel and Seal - Primed
TG-33111-1B	10"-12" x up to 98.25" Bottom Panel Aluminum Channel and Seal - PPW
TG-33151-1B	13"-18" x up to 98.25" Bottom Panel Aluminum Channel and Seal - PPW
Tongue and Grooved w/ Routes – Specify Size – Steel Angle and Seal	
1-Bottom Fixture, 1-Cable Anchor Bracket, Pull Strap and Lift Handle Attached, 1-Cable Anchor Bracket, 1-Bottom Fixture - Loose	
TG-34110-1B	10"-12" x up to 98.25" Bottom Panel w/ Hardware - Bottom Panel w/ Aluminum Channel and Seal - Primed
TG-34150-1B	13"-18" x up to 98.25" Bottom Panel w/ Hardware - Bottom Panel w/ Aluminum Channel and Seal - Primed
TG-34111-1B	10"-12" x up to 98.25" Bottom Panel w/ Hardware - Bottom Panel w/ Aluminum Channel and Seal - PPW
TG-34151-1B	13"-18" x up to 98.25" Bottom Panel w/ Hardware - Bottom Panel w/ Aluminum Channel and Seal - PPW
BOTTOM PANELS FOR 2" ROLLERS	
Tongue and Grooved w/ Routes – Specify Size – Steel Angle and Seal Only	
TG-33110-B	10"-12" x up to 98.25" Bottom Panel Angle and Seal - Primed
TG-33150-B	13"-18" x up to 98.25" Bottom Panel Angle and Seal - Primed
TG-33111-B	10"-12" x up to 98.25" Bottom Panel Angle and Seal - PPW
TG-33151-B	13"-18" x up to 98.25" Bottom Panel Angle and Seal - PPW
Tongue and Grooved w/ Routes – Specify Size – Steel Angle and Seal	
1-Bottom Fixture, 1-Cable Anchor Bracket, Pull Strap and Lift Handle Attached, 1-Cable Anchor Bracket, 1-Bottom Fixture - Loose	
TG-34110-B	10"-12" x up to 98.25" Bottom Panel w/ Hardware - Angle and Seal - Primed
TG-34150-B	13"-18" x up to 98.25" Bottom Panel w/ Hardware - Angle and Seal - Primed
TG-34111-B	10"-12" x up to 98.25" Bottom Panel w/ Hardware - Angle and Seal - PPW
TG-34151-B	13"-18" x up to 98.25" Bottom Panel w/ Hardware - Angle and Seal - PPW

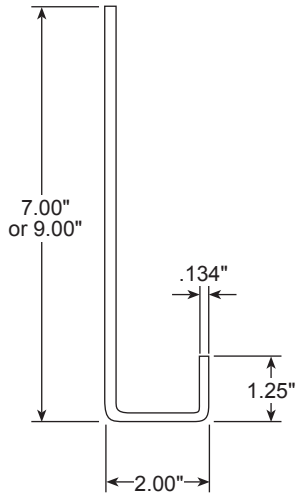
Note: Panels can be assembled to meet any specification.

Options:

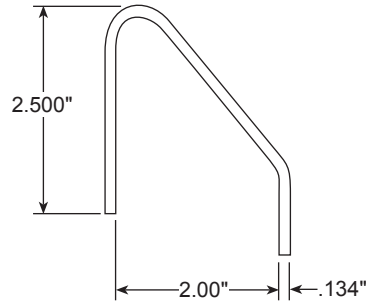
Extra Hinge Routes - Custom Sizes, Fully Assembled with Lock, Special Colors - Packaged 2 Per Box, Fork Lift Plate, Reinforcement Strap, Polar Vent, Pad-Lock Keeper, Powder Coated White Hardware, Stainless Steel Rivets, Inside Release Lock, Safety Chain Lock

REAR FRAME CONVERSION KITS

Stoughton



HEADER – 102" WIDE



CORNER POST – 120.00" LONG

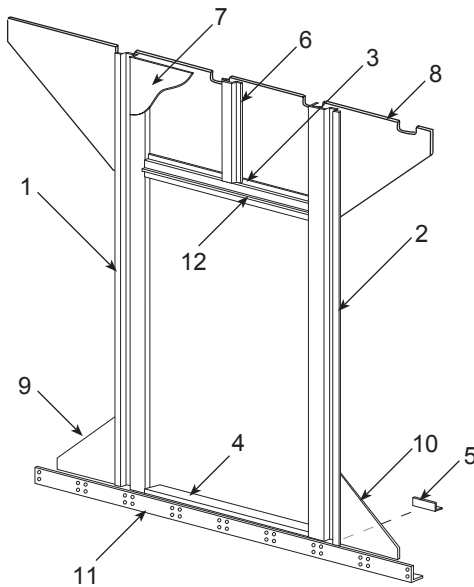
Stoughton Number	Description
FE025-60407	Conversion Kit with 7" Header
FE025-60409	Conversion Kit with 9" Header

One kit does one trailer. Each kit includes one header and two corner posts.

SIDE DOOR FRAME PARTS

Stoughton

42" x 78" Door Opening

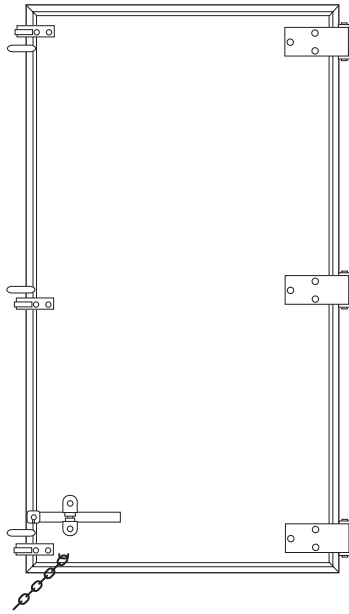


SIDE DOOR FRAME ASSEMBLY
(parts shipped loose)

Stoughton Number
21 03096 206 00

Item No.	Stoughton Number	Description	Quantity
1	01 04821 XXX 00	Side Door Post	1
2	01 04821 XXX 00	Side Door Post	1
3	01 04822 000 00	Side Door Header	1
4	01 04857 000 00	Floor Angle	1
5	01 05646 000 00	Side Door Post Bottom Angle	2
6	01 04834 015 00	Stress Plate Post	1
7	01 04825 010 01	Panel Over Door	1
8	01 07043 010 00	Stress Plate	1
9	01 07044 100 00	Roadside Lower Door Frame Gusset	1
10	01 07044 200 00	Curbside Lower Door Frame Gusset	1
11	01 10871 000 00	Side Door Truss	1

SIDE DOOR ASSEMBLY Stoughton



42" x 78" Door Opening

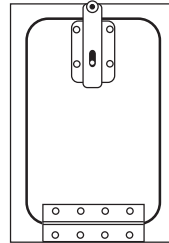
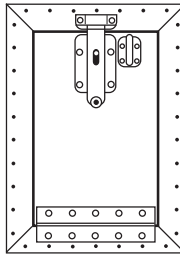
SIDE DOOR KIT - PLYMETAL

Stoughton Number
21 03095 KIT

Consists of:
(parts shipped "loose")

Stoughton Number	Description
01 06606 001 00	Pipe
04 86185 002 01	Pre-Gasketed Door
MR P50995	Locking Bar Hardware
MR P108835A	Hinges
MR 4077	Lockrod Bushing
MR 4085	Lockrod Bushing Guideplate
MR P1156061A	Hinge Butts (old # MRHB-1156-6-3)
MRHP-1054-12	Hinge Pins

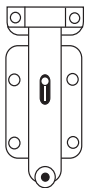
VENT DOORS Stoughton



VENT DOORS

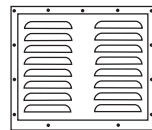
Stoughton Number	Overall Dimensions	Panel Thickness	Door Finish	Comments
FE024-02500	20" x 15"	3/4"		W/ Anti-Intrusion Screen
FE024-02501	20" x 15"	3/4"		W/ Anti-Intrusion Screen
PP-1076	10" x 20 1/2"		Aluminum	W/ Screen & Natural Alum. Door
PP-1077*	15" x 20 1/2"		White	W/ Screen & Natural Alum. Door

*Custom sizes also available. Call with your needs.



VENT DOOR LOCK

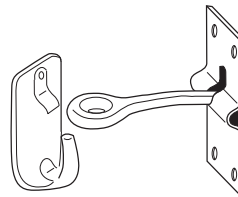
Stoughton Number
P10-1300 S/S
P10-1300ZP
P10-1500 S/S
P10-1900
P10-1900 S/S



LOUVER VENT

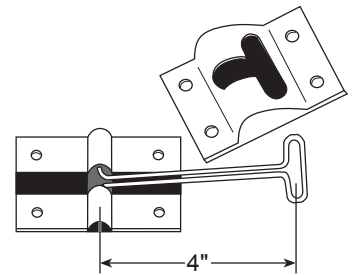
Stoughton Number	Comments
04 85199 000 00	Polar 20 – Side
04 85376 000 00	Polar 24 – Rear

Both have adjustable back plates



VENT DOOR
HOLDBACK KIT

Stoughton Number
04 85108 000 00



VENT DOOR
HOLDBACK

Stoughton Number
FE022-01022

HOLDBACK HARDWARE

Stoughton



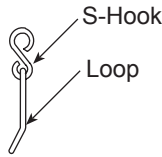
STRAIGHT LINK CHAIN

Stoughton Number	Length	Remarks
01 07187 001 00	7 3/8"	5 Links
01 07187 008 00	8 3/4"	6 Links



HOLDBACK LOOP

Stoughton Number
04 07656 000 00



S-HOOK

Stoughton Number
04 85381 000 00

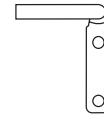
3 1/2" LOOP

Stoughton Number
01 12558 000 00



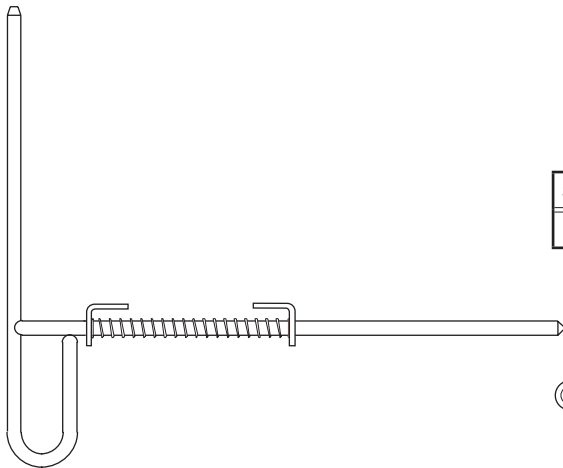
HOLDBACK HOOK

Stoughton Number
04 85274 000 00



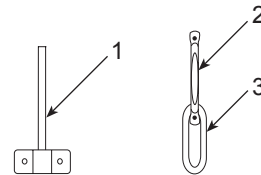
HOLDBACK HOOK

Stoughton Number	Remarks
04 85113 100 00	Roadside (pictured)
04 85113 200 00	Curbside



DOOR HOLDBACK

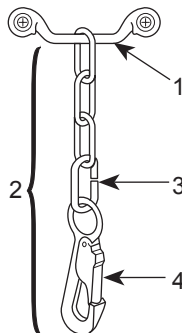
Stoughton Number	Remarks
04 85487 000 00	Complete
04 85487 000 02	Spring Only



DOOR HOLDBACK

Item No.	Stoughton Number	Description
1	04 85456 001 00	Hook*
2	04 85456 002 00	Handle
3	04 85456 003 00	Loop

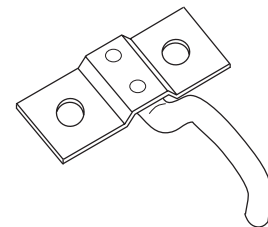
* Use this item for units built after 7-1-01.
For units built prior to 7-1-01, use EB6606-50.



CHAIN SNAP & HANDLE

Stoughton Number
FE021-00051

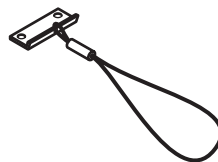
Item No.	Stoughton Number	Description
1	FE021-00043	Handle
2	FE021-00050	Chain & Snap
3	FE021-00053	Chain Lap Link
4	FE021-00052	Snap



DOOR HOLDBACK

Stoughton Number
FE022-00577

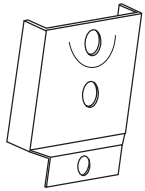
Fruehauf



DOOR HOLD-BACK, 2-HOLE

Stoughton Number
FRU#586930

T = Genuine Todco Brand
 TG = Transglobal Brand Aftermarket Replacement



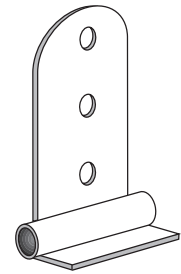
**TODCO BASE-ADJ.
TOP FIXTURE**

Stoughton Number
T69432 TG-69432



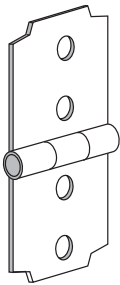
**TODCO SLIDE-ADJ.
TOP FIXTURE**

Stoughton Number
T69431 TG-69431



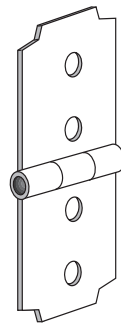
**TODCO BOTTOM
FIXTURE**

Stoughton Number
T61352 TG-61352



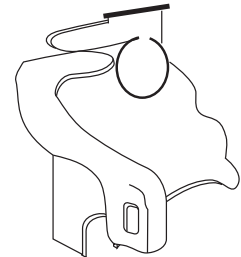
**TODCO CENTER
DOOR HINGE**

Stoughton Number
T61196 TG-61196



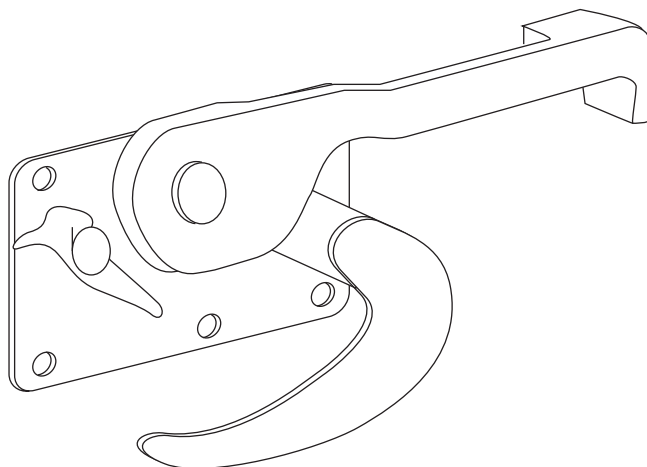
**TODCO END
DOOR HINGE**

Stoughton Number
T69035 TG-69035



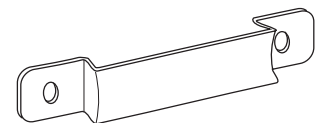
**TODCO KEEPER
ASSEMBLY**

Stoughton Number
T69572 TG-69572



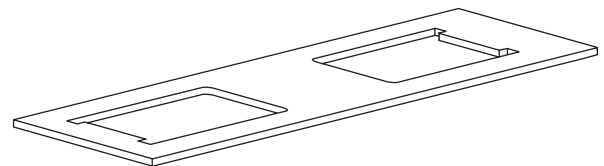
**TODCO MAXIMUM SECURITY
LOCK ASSEMBLY**

Stoughton Number
T69571 TG-69571



LIFT HANDLE

Stoughton Number
TG-61401



**TODCO CATCH
BOX**

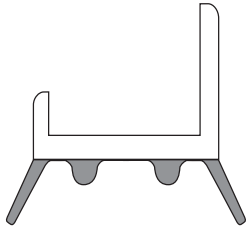
Stoughton Number
T70093 TG-70093

HARDWARE

Todco

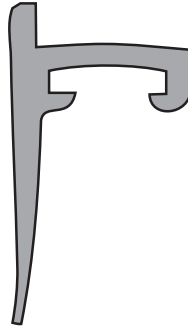
T = Genuine Todco Brand

TG = Transglobal Brand Aftermarket Replacement



**BOTTOM SEAL –
REMOVABLE/REPLACEMENT**

Stoughton Number	Length
T70337	96"



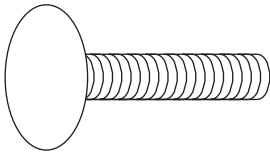
HEADER SEAL

Stoughton Number
T61402 TG-61402



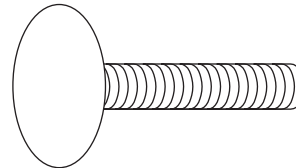
SIDE SEAL

Stoughton Number
T61390



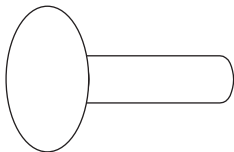
ELEVATOR BOLT

Stoughton Number	Remarks
T80015-1610KIT	1/4" x 1 1/4" – 100 Pieces Kit Includes Nuts
TG-80015-40	Individual Bolt



ELEVATOR BOLT

Stoughton Number	Remarks
T80110-4120KIT	1/4" x 1 1/2" – 100 Pieces Kit Includes Nuts



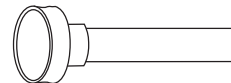
DOOR RIVET

Stoughton Number	Length
T89210-0032	1"
T89210-0036	1 1/8"
T89210-0040	1 1/4"
T89210-0048	1 1/2"
TG-89210-32	1"
TG-89210-36	1 1/8"
TG-89210-40	1 1/4"



CABLE ANCHOR PIN

Stoughton Number
T61026 TG-61026

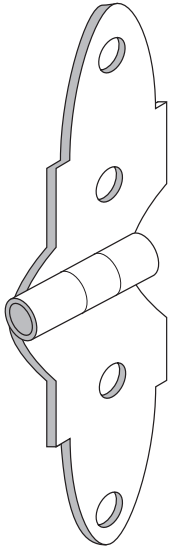


1" STEEL ROLLER

Stoughton Number	Remarks
T61174 T69162 TG-61174	Sealed Roller

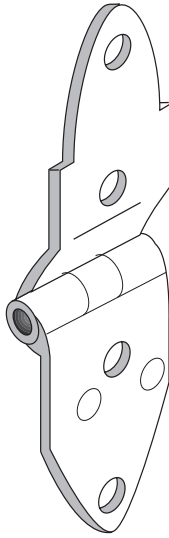
HARDWARE Whiting

W = Genuine Whiting Brand
TG = Transglobal Brand Aftermarket Replacement



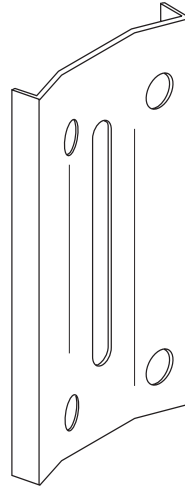
WHITING CENTER HINGE

Stoughton Number
W15 TG-15



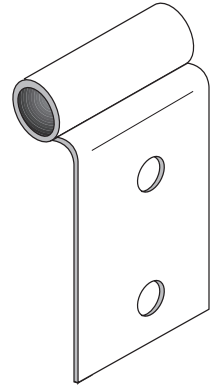
WHITING ROLLER HINGE

Stoughton Number
W1207 TG-1207



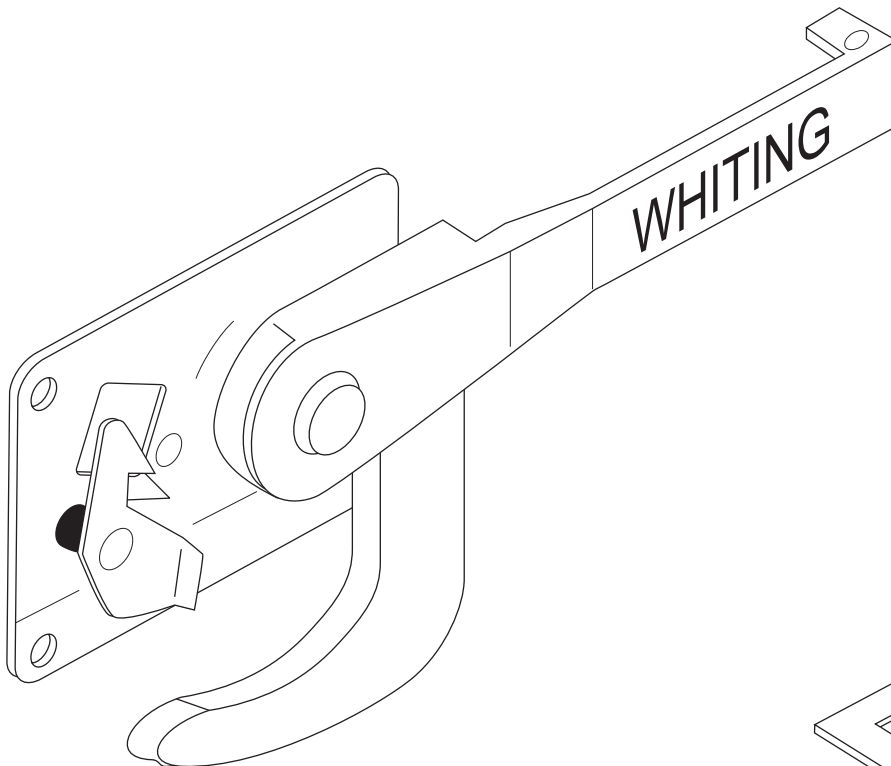
WHITING TOP CLOSURE BASE

Stoughton Number
W1264



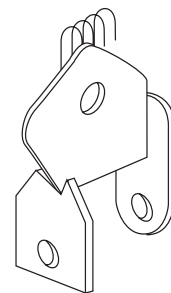
WHITING TOP CLOSURE SLIDE

Stoughton Number
W6943



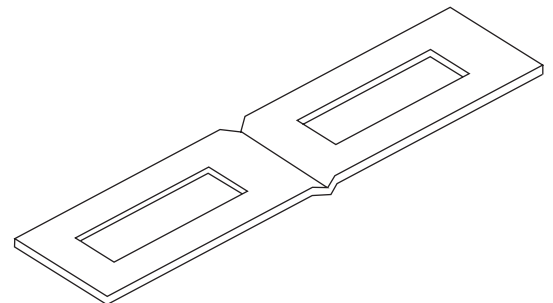
WHITING LATCH ASSEMBLY, NO KEEPER

Stoughton Number
W77 TG-77



WHITING HANDLE KEEPER

Stoughton Number
W7515 TG-7515



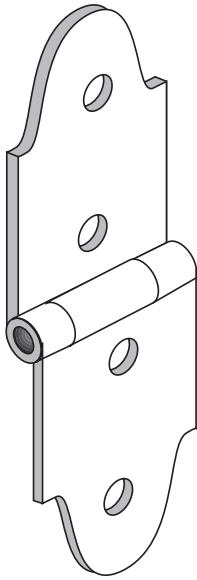
WHITING LATCH PLATE

Stoughton Number
W2804

HARDWARE

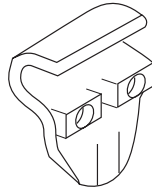
Whiting

W = Genuine Whiting Brand
 TG = Transglobal Brand Aftermarket Replacement



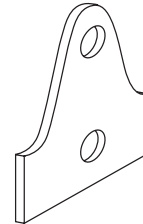
**ROLLER
HINGE**

Stoughton Number
W954 TG-1209A



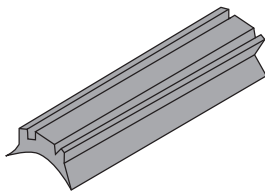
**WHITING ROLLER
HINGE COLVER CLAMP**

Stoughton Number
W1208 W1208R



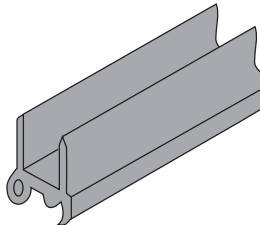
**WHITING BOTTOM ROLLER
BRACKET STUD PLATE**

Stoughton Number
W1370 TG-1370



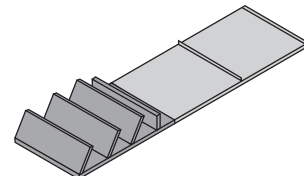
WHITING BOTTOM SEAL

Stoughton Number
W1676



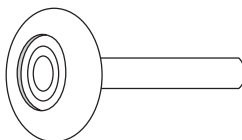
**WHITING BOTTOM U-CHANNEL
SEAL RETAINER**

Stoughton Number
W1801



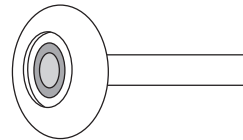
WHITING SIDESEAL 102"

Stoughton Number
W5423



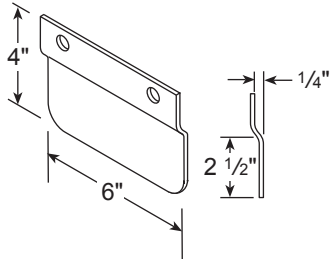
2" STEEL ROLLER

Stoughton Number
W2996 FE025-10102 TG-2996

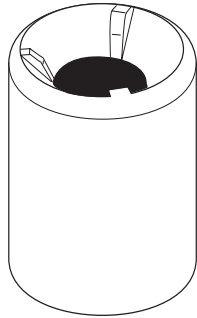


2" NYLON ROLLER

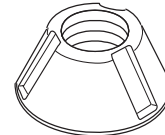
Stoughton Number
W3228 FE025-10101 TG-3228



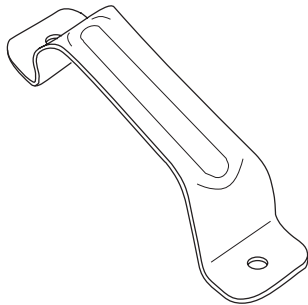
ANTI-THEFT PLATE
Stoughton Number
01-06284



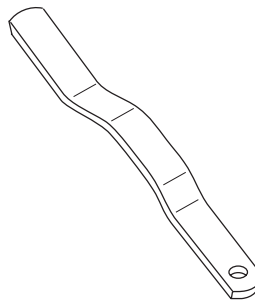
ANTI-THEFT SOCKET
Stoughton Number
S02 101 102 002



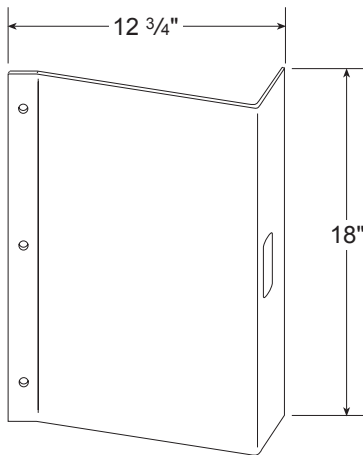
ANTI-THEFT NUT
Stoughton Number
04 95528



LIFT HANDLE
Stoughton Number
FE025-10311



DOOR HANDLE
Stoughton Number
FE023-00492



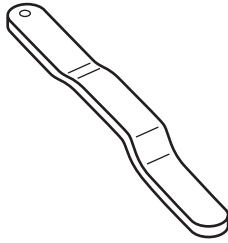
REAR DOOR TRACK DEFLECTOR ASSEMBLY

Stoughton Number	Remarks
31 03114 100 00	Roadside
31 03114 200 00	Curbside

Or call with trailer VIN (Serial Number) for correct identification

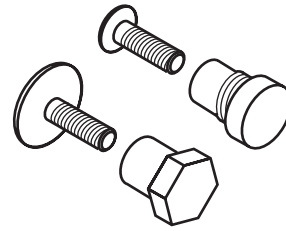
MISCELLANEOUS

Fruehauf



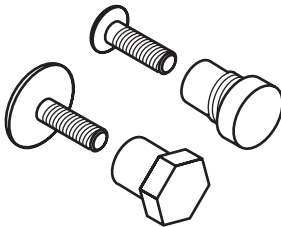
HANDLE, PRO-PAR, 15.38"

Stoughton Number
FRU#DCD-0292-1



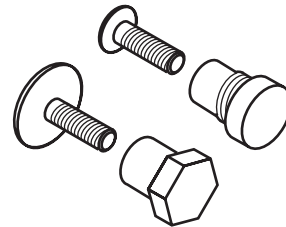
HINGE NUT, DRY FREIGHT DOOR

Stoughton Number
FRU#DXA-000682



HINGE NUT, REEFER DOOR

Stoughton Number
FRU#DXA-000686



HINGE SCREW

Stoughton Number
FRU#DXA-000696

Great Dane



DOOR BUMPER

Stoughton Number
GD#45064

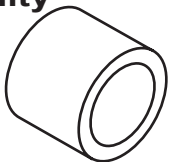
Todco



TODCO LUBRICANT

Stoughton Number	Description
T39000-1008	One 15 oz. Can
T39000-1012 CS	Case of Twelve 15 oz. Cans

Utility



DOOR BUMPER

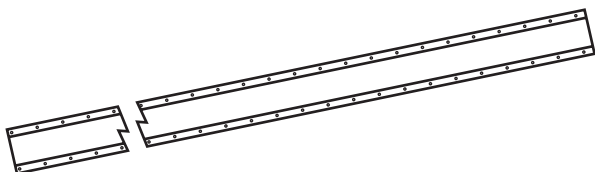
Stoughton Number
UT-03-1250-0-025



DOOR TRIM, ALUM, 114.38" 3000R

Stoughton Number
UT-01-3450-0-055

Wabash

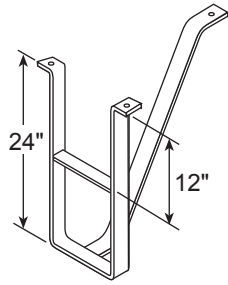


MOUNTING CHANNEL, HINGE STRAP

Stoughton Number
WAB-E4881200

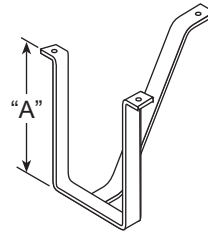
SIDE DOOR STEP ASSEMBLIES

Stoughton



SIDE DOOR STEP ASSEMBLY

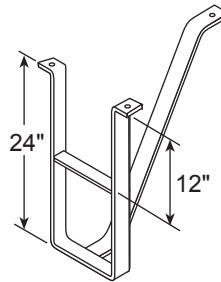
Stoughton Number
31 03851 001



SIDE DOOR STEP ASSEMBLY

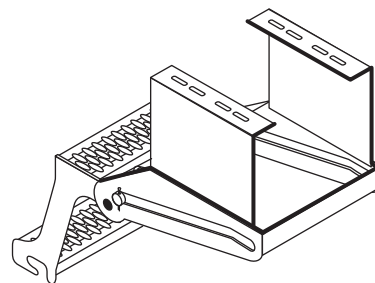
Stoughton Number	"A"
31 03704 001	21 5/8"
31 03704 002	16"

Call with trailer VIN (Serial Number) for correct identification



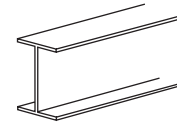
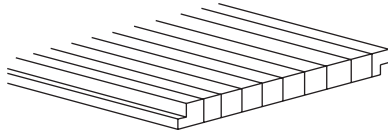
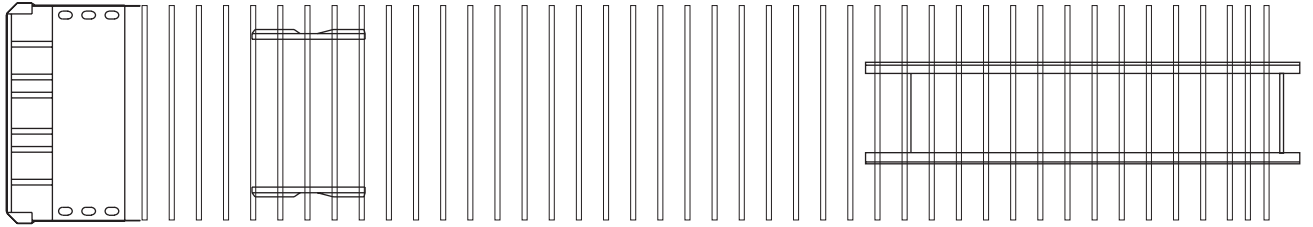
REAR DOOR STEP ASSEMBLY

Stoughton Number
31 03851 001

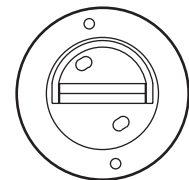
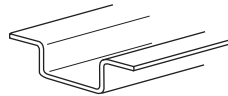


REAR DOOR STEP ASSEMBLY (RETRACTABLE)

Stoughton Number
P08-02

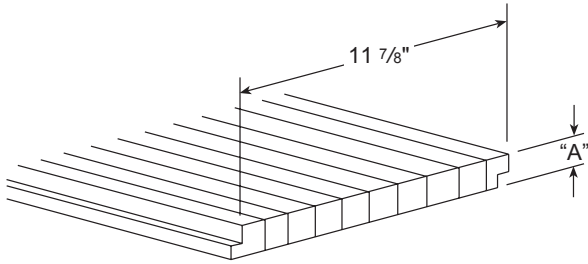


Flooring Boards – Wood.....	6-1
Stoughton.....	6-1
Floor Screws.....	6-1
Stoughton.....	6-1
Flooring Boards – Extruded Aluminum.....	6-2
Stoughton.....	6-2
Crossmembers.....	6-3
Stoughton.....	6-3
Strick.....	6-3
Trailmobile.....	6-4
Utility.....	6-4
Crossmember Assemblies.....	6-4
Stoughton.....	6-4
Crossmember Clips and Bolt Kits.....	6-5
Stoughton.....	6-5
Crossmember Endplates.....	6-5
Stoughton.....	6-5
Floor – Miscellaneous.....	6-6
Stoughton.....	6-6
Galvanized Steel Floor Rails.....	6-6
Floor Sealer Products.....	6-6



FLOORING BOARDS – WOOD

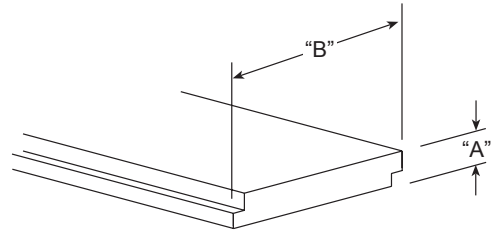
Stoughton



INTERMEDIATE FLOOR BOARD

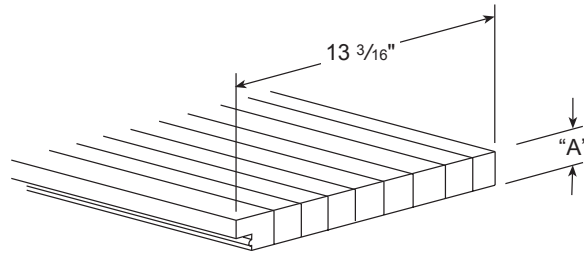
Stoughton Number	Type	"A"	Length
04 92020 027 OK	Oak	1 3/8"	27' 2"
04 92020 240 XX*	Oak	1 3/8"	20'
04 92020 048 OK	Oak	1 3/8"	47' 2"
04 92020 053 OK	Oak	1 3/8"	52'
04 92021 027 OK	Oak	1 1/4"	27' 2"
04 92021 048 OK	Oak	1 1/4"	47' 2"
04 92021 053 OK	Oak	1 1/4"	52'
04 92022 027 OK	Oak	1 1/8"	27' 2"
04 92022 048 OK	Oak	1 1/8"	47' 2"
04 92022 053 OK	Oak	1 1/8"	52'

* 12.5" width



APITONG RANDOM LENGTH BOARDS

Stoughton Number	"A"	"B"
04 92015 000 00	1 5/16"	7"
04 92015 000 05	1 5/16"	5"
04 92080 000 00	1 1/8"	7"
04 92080 000 05	1 1/8"	5"

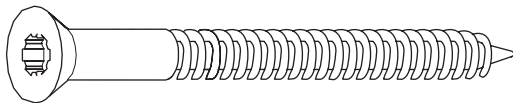


EDGE BOARD

Stoughton Number	Type	"A"	Length
04 92292 326 XX	Oak	1 3/8"	27' 2"

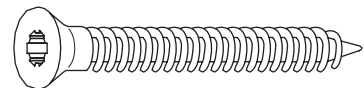
FLOOR SCREWS

Stoughton



5/16" TORX FLATHEAD SCREW

Stoughton Number	Dimensions	Box Quantity
04 96501 200 00	5/16"-18 x 2"	Bulk
04 96501 200 T40	5/16"-18 x 3"	Bulk
04 96501 250 00	5/16"-18 x 2 1/2"	1000
04 96501 300 00	5/16"-18 x 3"	1000
04 96501 400 00	5/16"-18 x 3"	Bulk

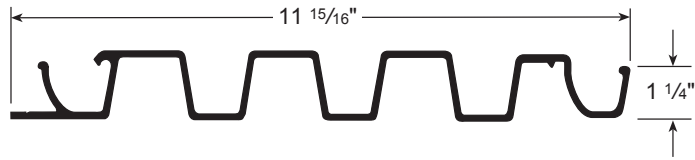


1/4" TORX FLATHEAD SCREW

Stoughton Number	Dimensions	Box Quantity
04 96507 150 XX	1/4"-20 x 1 1/2"	2000
04 96507 175 XX	1/4"-20 x 1 3/4"	2000
04 96507 200 XX	1/4"-20 x 2"	2200
04 96507 250 XX	1/4"-20 x 2 1/2"	1800
04 96507 300 XX	1/4"-20 x 3"	1200
04 96507 400 XX	1/4"-20 x 4"	1500
04 96507 500 XX	1/4"-20 x 5"	400

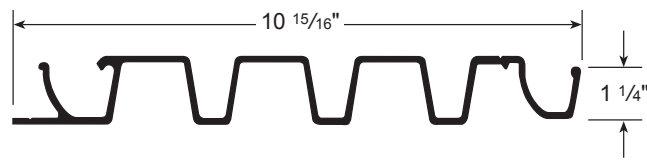
FLOORING BOARDS – EXTRUDED ALUMINUM

Stoughton



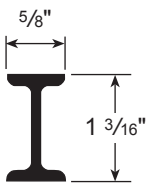
10" FLOOR BOARD

Extrusion Number	Length
AS8202	47'



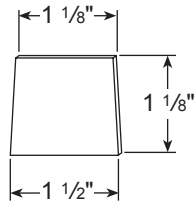
9" FLOOR BOARD

Extrusion Number	Length
AS8203	47'



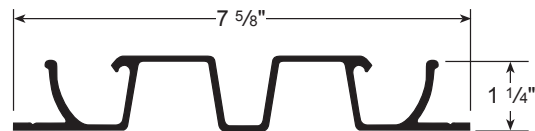
REEFER FLOOR INSERT

Extrusion Number	Length
02 05195 120 00	120"



FLOOR END PLATE

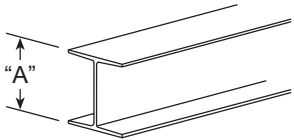
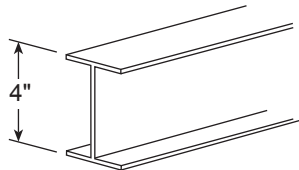
Stoughton Number
01 06499 001 00



STARTER BOARD

Extrusion Number	Length
AS5782	47'

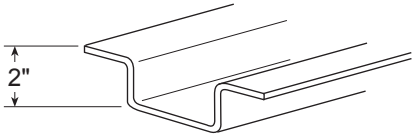
CROSSMEMBERS Stoughton



Stoughton Number	Length	Material
02 06654 100 25	100 1/4"	Aluminum
04 06638 102 00	102"	Steel – Primed*
04 06638 102 XX	102"	Steel – Unprimed*
04 06638 DRILL 00	102"	Primed w/ Air Line Holes
04 06638 DRILL XX	102"	Unprimed w/ Air Line Holes

Stoughton Number	Length	"A"	Material
04 07052 102 00	102"	3"	Steel
04 06638 102 X6	102"	6"	Steel

* 80,000 Yield

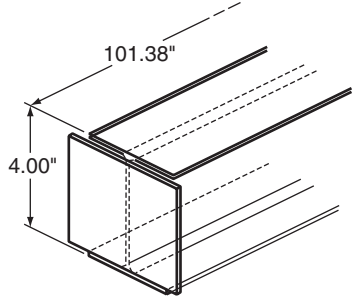


2" HAT

Stoughton Number	Length	Material	"A"	Remarks
03 07882 004 00	100 9/16"	Steel	2"	55 lbs

See page 6-5 for Crossmember End Plates

Strick

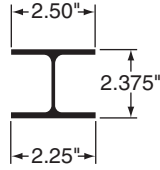


CROSSMEMBER, 4" x 101.38"

Stoughton Number
STR#01695
STRAA61F03510100

CROSSMEMBERS

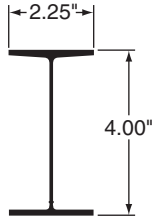
Trailmobile



CROSSMEMBER, 2.375" x 101.28"

Stoughton Number
TM6001-3-123B

Utility



4" CROSSMEMBER, I-BEAM, 101.75"

Stoughton Number
UT-04-2575-0-099

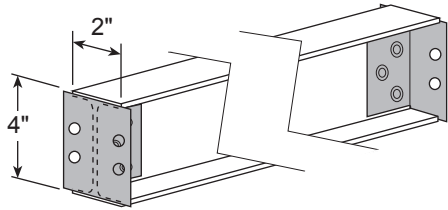
Picture
Not
Available

DOOR GASKET, 168"

Stoughton Number
UT-04-2575-0-118

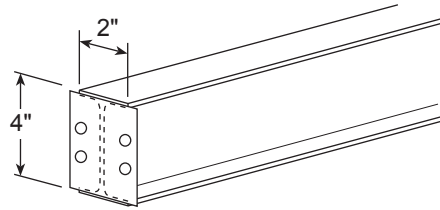
CROSSMEMBER ASSEMBLIES

Stoughton



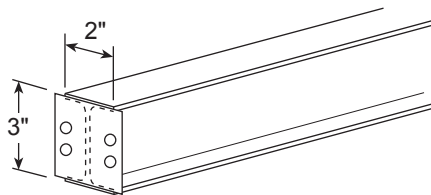
4" CROSSMEMBER ASSEMBLY

Stoughton Number	Length	Material
17 03389 001 00	101 1/8"	Aluminum



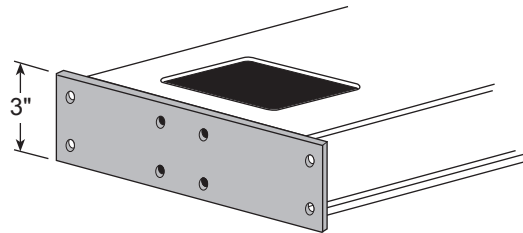
4" CROSSMEMBER ASSEMBLY

Stoughton Number	Length	Material	Remarks
04 18454 001 00	101 1/8"	Steel	3.19 lbs/ft
17 06637 000 00	99 5/8"	Steel	3.19 lbs/ft



3" CROSSMEMBER ASSEMBLY

Stoughton Number	Length	Material
04 20018 001 00	101 1/8"	Steel

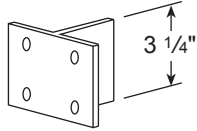


REAR CROSSMEMBER AT TUNNEL
CONTAINER ONLY

Call with container VIN (Serial Number)
for correct application

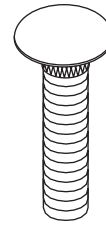
CROSSMEMBER CLIPS AND BOLT KITS

Stoughton

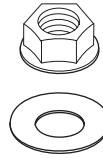


ALUMINUM

Stoughton Number
01 04921 000 00



Kit contains eight (8) of each piece



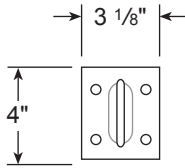
CROSSMEMBER BOLT KIT

Stoughton Number	Remarks
04 06638 KIT	100 per Carton

CROSSMEMBER ENDPLATES

Stoughton

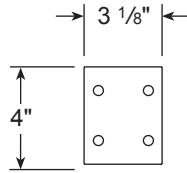
For 4" I Beam



Stoughton Number
NDSC-1

Optional aftermarket

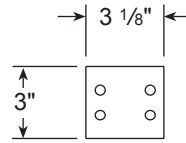
For 4" I Beam



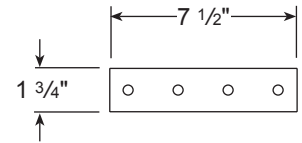
Stoughton Number
01 07224 001 00

OE style

For 3" I Beam



Stoughton Number
01 07224 002 00



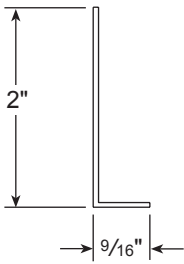
Stoughton Number
01 07884 000 00

For 2" Hat

FLOOR – MISCELLANEOUS

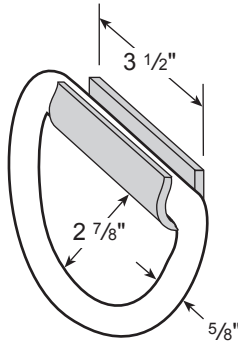
Stoughton

"Floor Flashing"



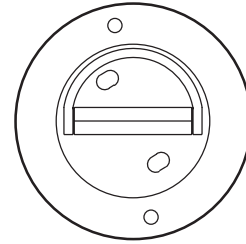
GALVANIZED STEEL FLOOR ANGLE

Stoughton Number
03 04604 144 00



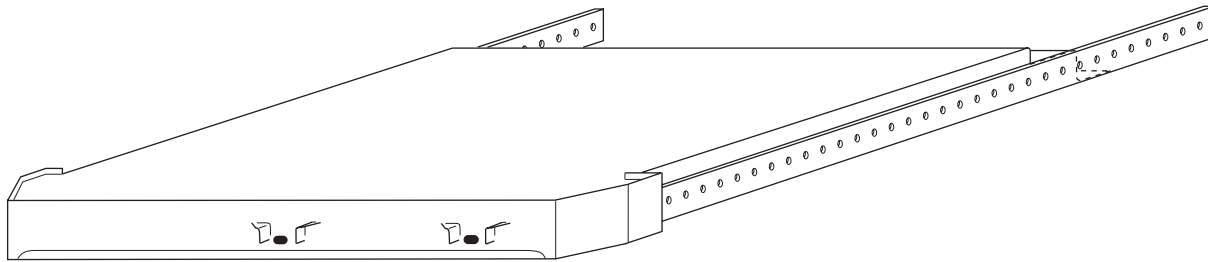
"D" RING ASSEMBLY

Stoughton Number
FE982-00046



TIE RING

Stoughton Number
FE983-00135

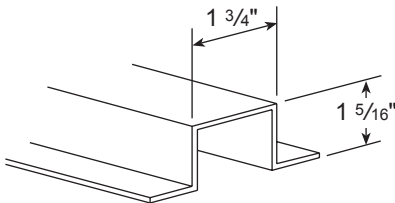


UPPER COUPLER ASSEMBLY

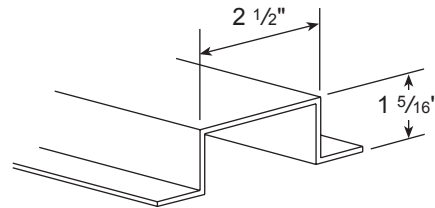
Call with trailer VIN (Serial Number) for correct application

For King Pins, see page 14-1

Galvanized Steel Floor Rails



Stoughton Number	Length
03 85008 577 25	577 1/4"



Stoughton Number	Length
03 85009 577 25	577 1/4"

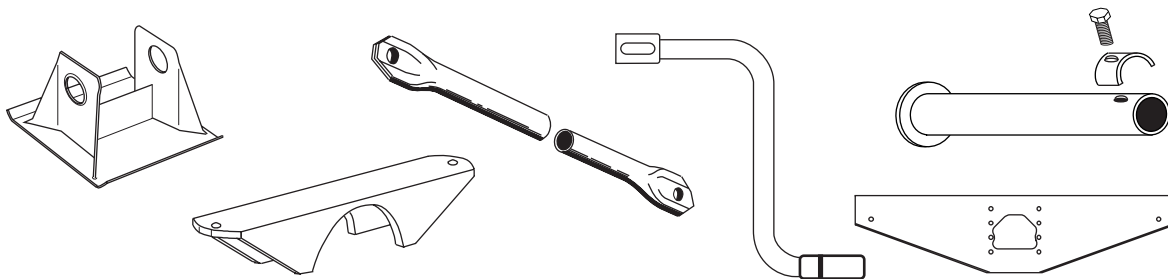
Floor Sealer Products



Stoughton Number	Description
KPEC-53A/BSFK	Floor Sealer – Clear – Solvent Free – For 53' Trailer and Longer
KPEC-1055A/BSFK	Floor Sealer – Clear – Solvent Free – For 48' Trailer and Shorter
KPPF100A/B	Crack Filler
KPQP300-QT	Quick Patch – Quart
KPSQUEEGEE-18	18" Squeegee

Other Key Polymer products available. Call with your needs.

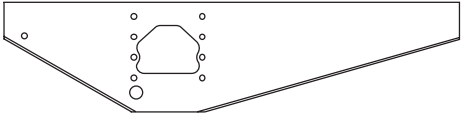
SECTION 7 LANDING GEAR / COMPONENTS



Landing Gear Parts	7-1
Stoughton.....	7-1
Fruehauf.....	7-2
Hyundai.....	7-2
Lufkin	7-2
Great Dane	7-2
Monon	7-3
Pines	7-3
Strick	7-4
Trailmobile.....	7-5
Utility	7-6
Landing Gear Parts – Sand Shoes.....	7-7
Stoughton.....	7-7
Landing Gear Parts – Axle Parts	7-7
Stoughton.....	7-7
Landing Gear Parts – Miscellaneous.....	7-8
Stoughton.....	7-8
Landing Gear.....	7-9
Atlas/Binkley Landing Gear Details.....	7-9
Atlas Model 55 Standard.....	7-10
Atlas Model 55 Standard Parts List.....	7-11
Atlas Model 55 Dimensions and Mounting Distances	7-12
Atlas Model 55 Ordering Information	7-13
Atlas Model 65 Standard.....	7-14
Atlas Model 65 Standard Parts List.....	7-15
Atlas Model 65 Dimensions and Mounting Distances	7-16
Atlas Model 65 Ordering Information	7-17
Binkley Challenger Model 50,000	7-18
Binkley Challenger Model 50,000 Parts List	7-19
Binkley Contender Model 51,000	7-20
Binkley Contender Model 51,000 Parts List.....	7-21
Holland Mark V Model – Old Design Before May 1994	7-22
Holland Mark V Model Parts List – Old Design Before May 1994	7-23
Holland Mark V Model – New Design After May 1994	7-24
Holland Mark V Model Parts List – New Design After May 1994	7-24
Holland Landing Gear Ordering Information	7-26

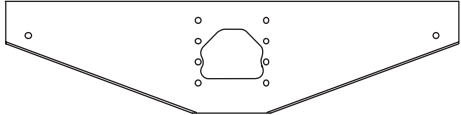
Holland Olympix 135 Model	7-28
Holland Olympix 135 Model Parts List	7-29
Holland Formula 150 Model	7-30
Holland Formula 150 Model Parts List	7-31
Kysor/Westran Model CMS (Square Leg)	7-32
Kysor/Westran Model CMS (Square Leg) Parts List	7-33
Kysor/Westran Model CMR (Round Leg)	7-34
Kysor/Westran Model CMR (Round Leg) Parts List	7-35
Kysor/Westran Model LPS (Square Leg)	7-36
Kysor/Westran Model LPS (Square Leg) Parts List	7-37
Kysor/Westran Model LPR (Round Leg)	7-38
Kysor/Westran Model LPR (Round Leg) Parts List	7-39
Jost International A400 (Outside Mount) / A401 (Inside Mount) Models 7-40	
Jost International A400/A401 Model Parts List	7-41
Anti-Nosedive Assembly	7-42
Stoughton	7-42

LANDING GEAR PARTS Stoughton



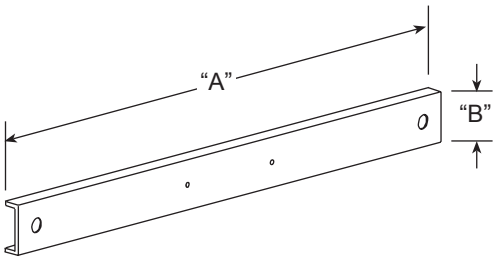
LANDING GEAR MOUNTING BRACKET

Stoughton Number	
Roadside	Curbside
01 04012 100 00	01 04012 200 00



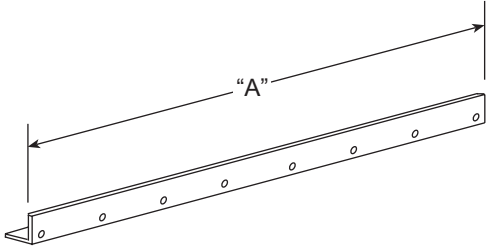
UNIVERSAL LANDING GEAR MOUNTING BRACKET

Stoughton Number	Remarks
01 08875 000 00	Weld-on
01 09945 000 00	Bolt-on



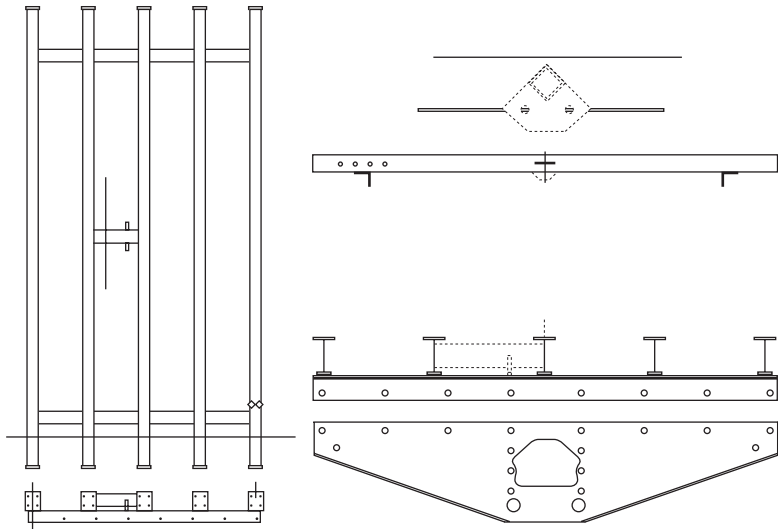
LANDING GEAR CHANNEL

Stoughton Number	"A"	"B"
01 04013 001 00	76"	8"
01 06650 001 00	64"	4"



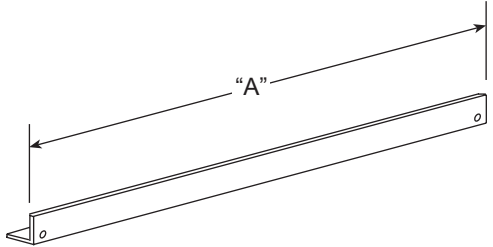
LANDING GEAR MOUNTING ANGLE
(for use with Mounting Bracket
01 09945 000 00)

Stoughton Number	"A"
01 10857 000 00	50"



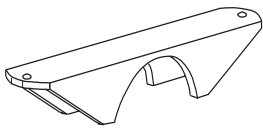
UNIVERSAL LANDING GEAR SUBFRAME ASSEMBLY FOR 102" WIDE, 48' AND 53' STOUGHTON DRY VANS

Stoughton Number	Remarks
15 03353 KIT	Cross Member Assembly Plus RS and CS Landing Gear Wings



LANDING GEAR SIDE BRACKET

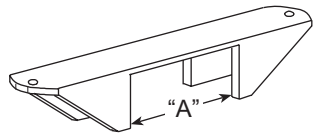
Stoughton Number	"A"	Dimensions
01 09943 001 00	30 3/4"	3/16" x 2" x 2"
01 09943 002 00	31 5/16"	3/16" x 2" x 2"
01 09943 003 00	30 3/8"	3/16" x 2" x 2"
01 09943 004 00	31 1/8"	3/16" x 2" x 2"
01 09943 008 00	28 7/8"	3/16" x 2" x 2"
01 09943 009 00	31 3/8"	3/16" x 2" x 2"



ROUND LEG LANDING GEAR BRACE EAR

Stoughton Number	Leg Type
01 07061 000 00	KW

Will become obsolete as stock is depleted



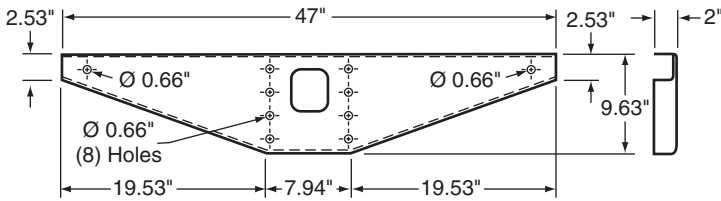
SQUARE LEG LANDING GEAR BRACE EAR

Stoughton Number	Leg Type	"A"
01 08913 000 00*	Binkley	4 1/2"
01 10246 000 00	Holland-Jost	5 3/8"
01 11007 000 00	KW	4 9/16"

*Fits BKL4001-70

LANDING GEAR PARTS

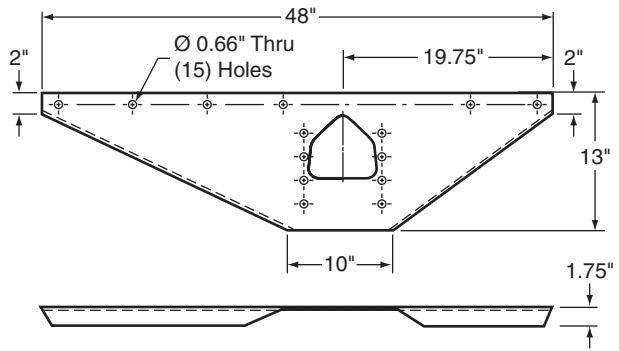
Fruehauf



LANDING GEAR BRACKET

Stoughton Number
FRU#FCF001671001

Great Dane



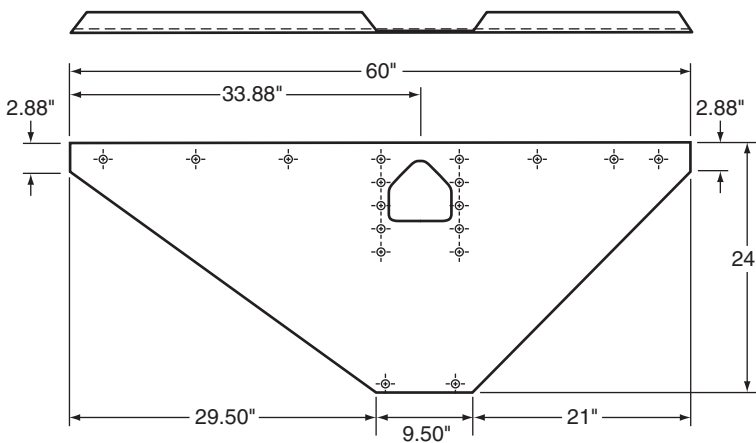
LANDING GEAR MOUNTING BRACKET, RS

Stoughton Number
GD#136-46

LANDING GEAR MOUNTING BRACKET, CS

Stoughton Number
GD#136-47

Hyundai

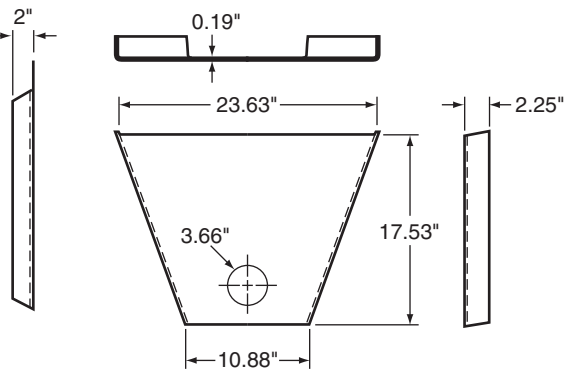


WING BRACKET, RS

Stoughton Number
HY#2000-0492

WING BRACKET, CS

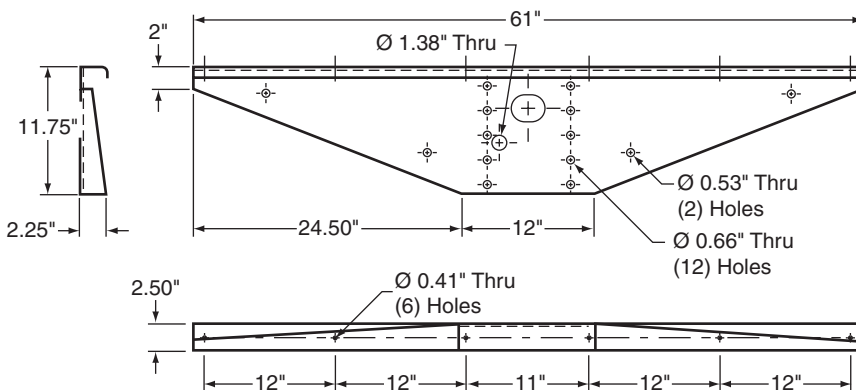
Stoughton Number
HY#2000-2893



WING BRACKET

Stoughton Number
HY#2000-0735

Lufkin

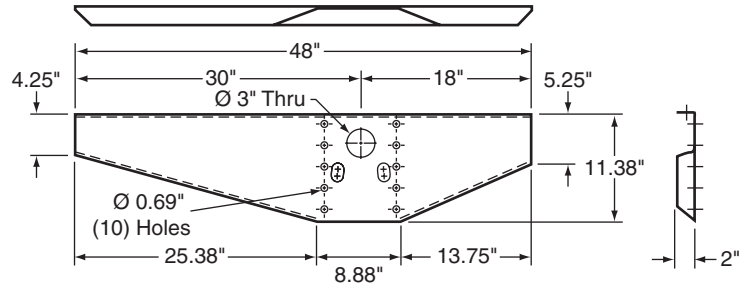


LANDING GEAR MOUNTING BRACKET

Stoughton Number
LUF-B62046

LANDING GEAR PARTS

Monon



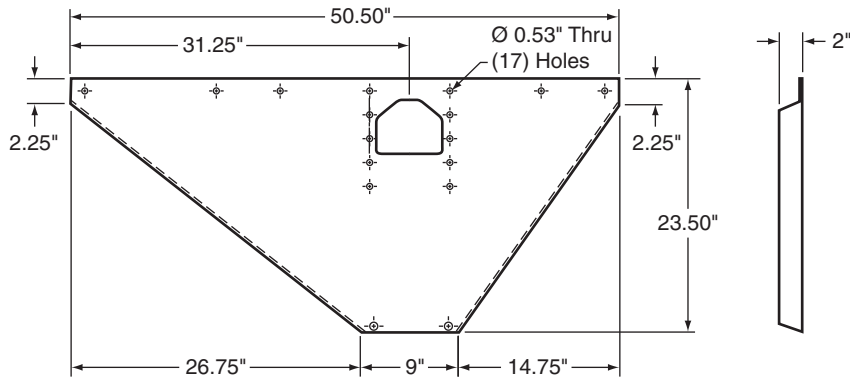
LANDING GEAR WING, ROADSIDE

LANDING GEAR WING, CURBSIDE

Stoughton Number
MON-V09-189A-RS

Stoughton Number
MON-V09-189B-CS

Pines

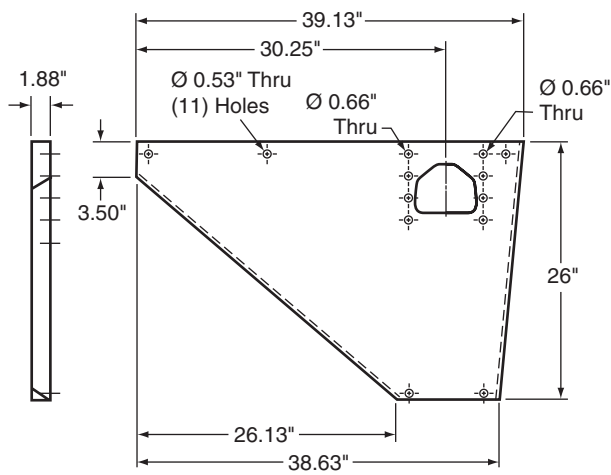


WING BRACKET, RH

WING BRACKET, LH

Stoughton Number
PINE GB4382R

Stoughton Number
PINE GB4382L

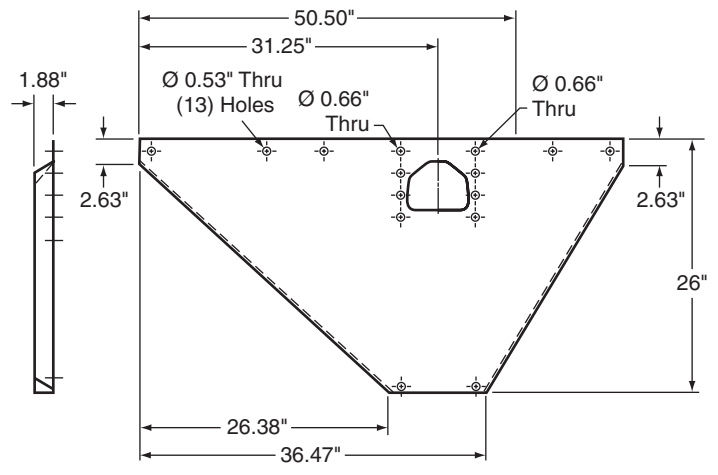


LANDING GEAR MOUNTING BRACKET, RS

LANDING GEAR MOUNTING BRACKET, CS

Stoughton Number
PINE PILGB1314L

Stoughton Number
PINE PILGB1314R



LANDING GEAR MOUNTING BRACKET, RS

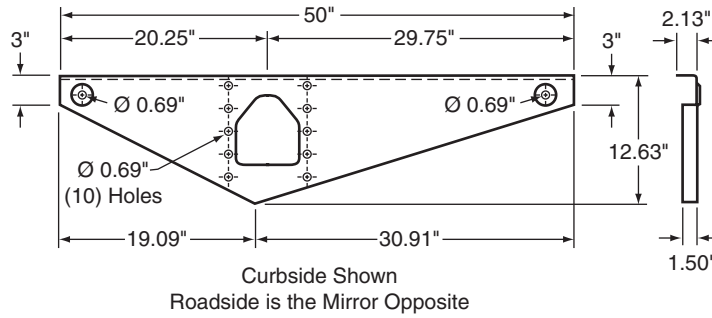
LANDING GEAR MOUNTING BRACKET, CS

Stoughton Number
PINE PILGB1315L

Stoughton Number
PINE PILGB1315R

LANDING GEAR PARTS

Strick

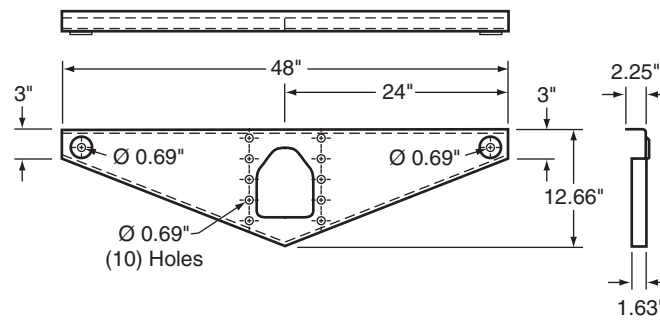


LANDING GEAR BRACKET, RS

Stoughton Number
STR#03690

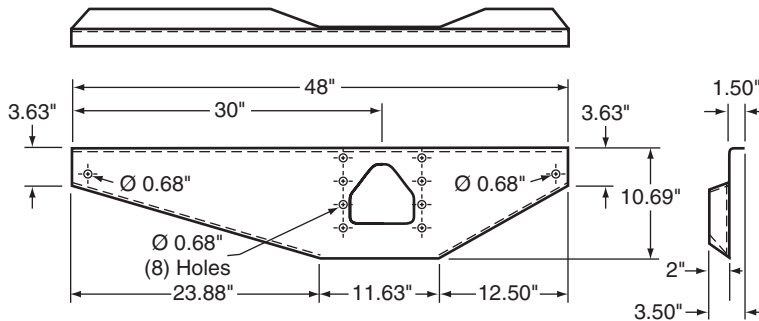
LANDING GEAR BRACKET, CS

Stoughton Number
STR#03691



WING BRACKET

Stoughton Number
STRAA13D05060100

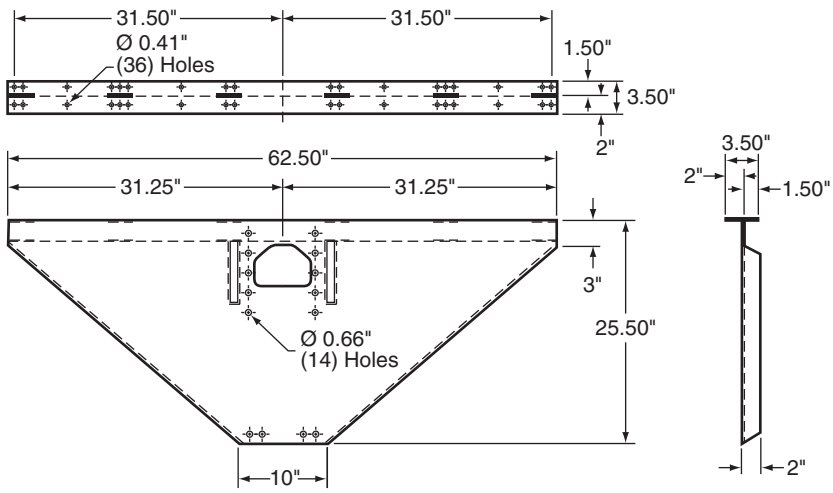


LANDING GEAR BRACKET, RS

Stoughton Number
STRAA14D06060100

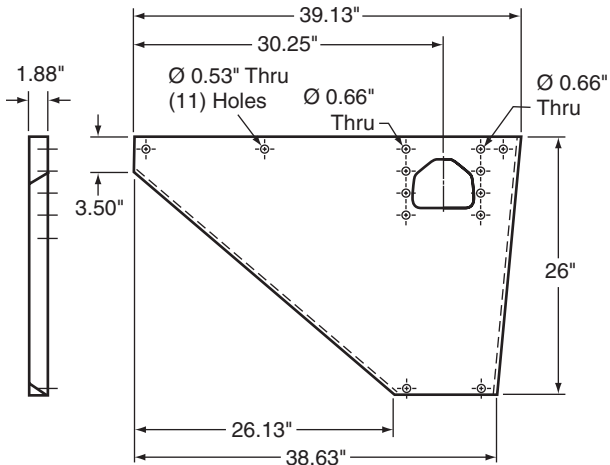
LANDING GEAR BRACKET, CS

Stoughton Number
STRAA14D06070100



WING BRACKET

Stoughton Number
TM4-A1-223

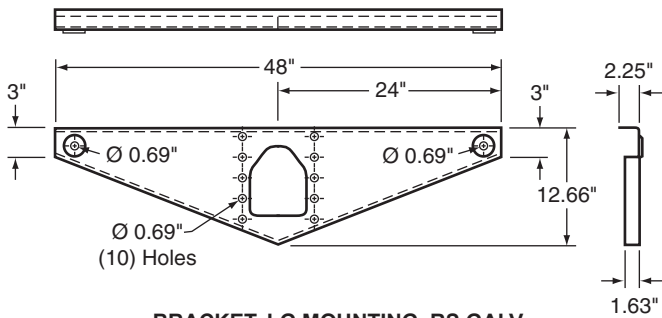


BRACKET, LG MOUNTING, RS

Stoughton Number
TM4-A1-224L

BRACKET, LG MOUNTING, CS

Stoughton Number
TM4-A1-224R

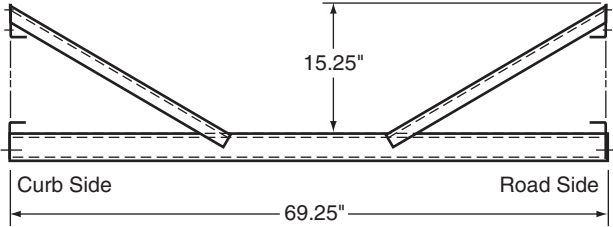


BRACKET, LG MOUNTING, RS, GALV

Stoughton Number
TM4-A1-224L-G

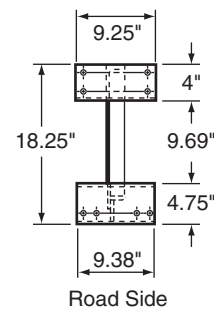
BRACKET, LG MOUNTING, CS, GALV

Stoughton Number
TM4-A1-224R-G



K-BRACE, 69.25" WIDE

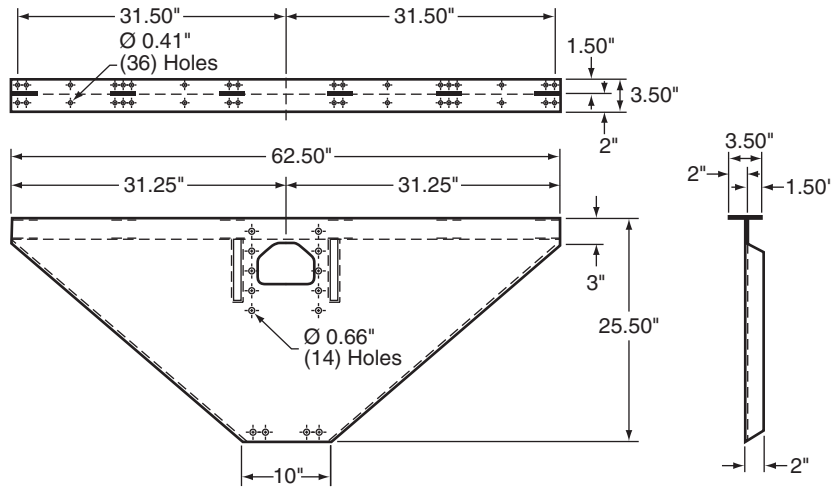
Stoughton Number
TM700-4-503



"Dorsey," "Fruehauf," "Great Dane," "Hyundai," "Kentucky," "Lufkin," "Monon," "Manac," "Pines," "Strick," "Trailmobile," "Utility," "Vanguard Trailer," and "Wabash" are trademarks of their respective owners and are used only to identify corresponding part numbers of Stoughton Part Sales, LLC. Stoughton Part Sales, LLC is not affiliated with the owners of these trademarks.

LANDING GEAR PARTS

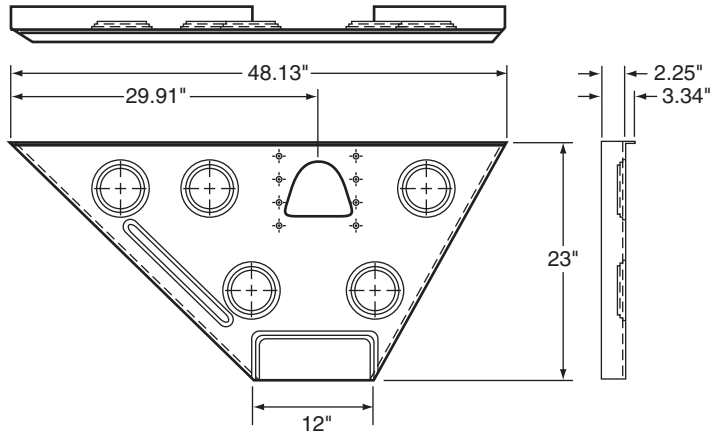
Trailmobile



BRACKET, LG MOUNTING, WING TYPE

Stoughton Number
TM700-4-507

Utility



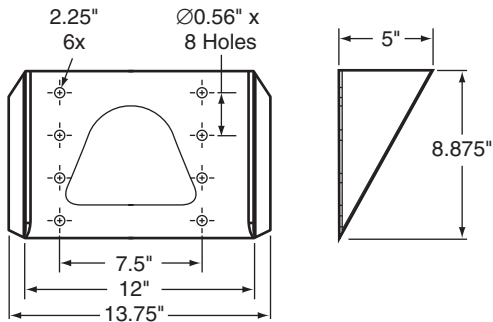
WING BRACKET, RS

Stoughton Number
UT-03-1103-0-077

WING BRACKET, CS

Stoughton Number
UT-03-1103-0-078

Curbside Shown
Roadside is the Mirror Opposite



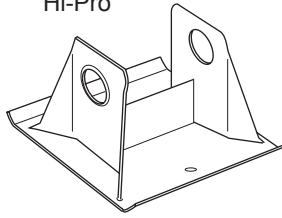
LANDING GEAR MOUNTING BRACKET

Stoughton Number	
Roadside	Curbside
UT-03-1103-0-123	UT-03-1103-0-124

LANDING GEAR PARTS – SAND SHOES

Stoughton

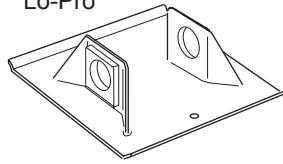
“Hi-Pro”



STANDARD DESIGN

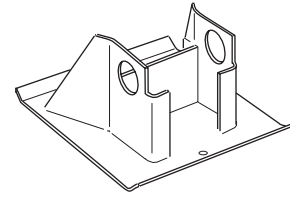
Stoughton Number	Size
FE013-01192	10" x 10"
P05-300	10" x 10"

“Lo-Pro”



LOW MOUNT STYLE

Stoughton Number	Size
FE013-00073	10" x 10"
P05-310	10" x 10"



TILT-BACK STYLE

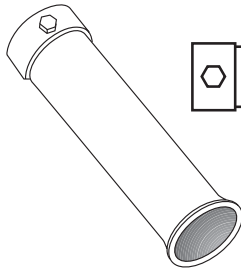
Stoughton Number	Size
FE013-00141	12" x 12"

REMOVABLE CUSHION FOOT KIT

Stoughton Number	Remarks
KW716059	For Sets KWCMS-2-33-317 Only

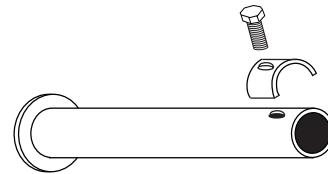
LANDING GEAR PARTS – AXLE PARTS

Stoughton



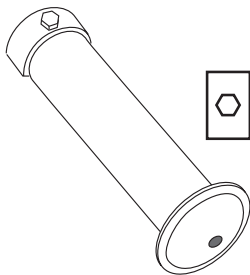
FLARED END AXLE & HARDWARE KITS

Stoughton Number
FE013-00240



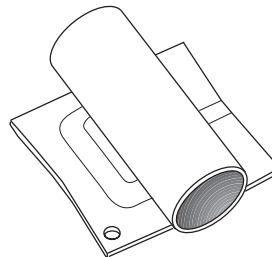
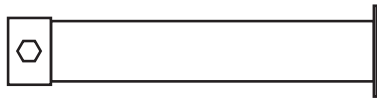
AXLE ASSEMBLY – SAND SHOE

Stoughton Number
P06-410



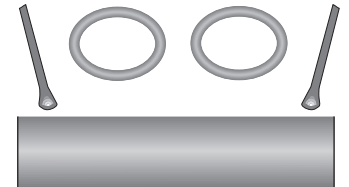
WELDED CAP AXLE & HARDWARE KITS

Stoughton Number
P06-411



AXLE HOUSING

Stoughton Number
P06-345

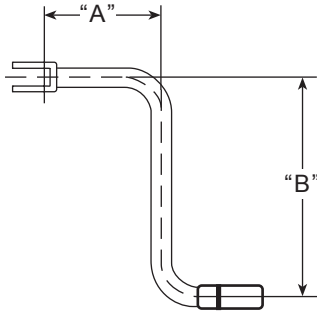


AXLE ASSEMBLY – SAND SHOE

Stoughton Number	Remarks
P06-431	Solid

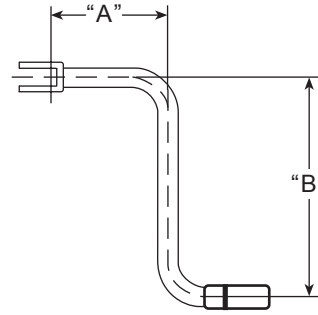
LANDING GEAR PARTS – MISCELLANEOUS

Stoughton



VERTICAL FOLDING CRANKS

Stoughton Number	"A"	"B"	Remarks
FE013-00436	7 1/2"	13 1/2"	
FE013-00437	11 1/2"	13 1/2"	
P03-215V	16 1/4"	13 1/2"	P03-215V
P03-221V	20"	13 1/2"	P03-221V
BKLG2130-07	9 1/8"	14"	Holland Olympic
HHXA-V-90-0	9 1/8"	14"	Holland Mark V



HORIZONTAL FOLDING CRANKS

Stoughton Number	"A"	"B"
FE013-00426	7 1/2"	13 1/2"
FE013-00427	11 1/2"	13 1/2"
P03-215-H	16 1/4"	13 1/2"
P03-221H	20"	13 1/2"

Note: More Crank Handle options are available.
Call with your needs.

"GRAIN HAULER" CRANK

Stoughton Number
04 80291 001 00

"SPEED CRANK"

Stoughton Number
KW112003



ADJUSTABLE CROSS SHAFT

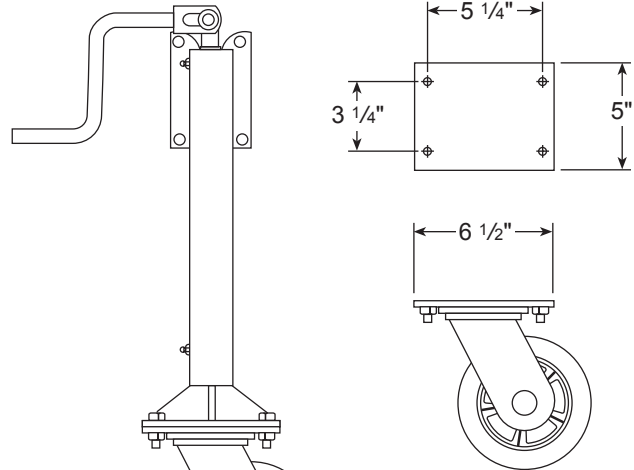
Stoughton Number	Adjustable Length
FE012-00003	53" to 71"
TCS 2947	29" to 47" Flexible
TCS 4479	44" to 79" Flexible



TWO-PIECE ADJUSTABLE BRACE

Stoughton Number	Adjustable Length
FE013-00991	26" to 41" HD
FE013-00992	42" x 57" HD
FE013-00993	58" to 72" HD
P04-10-26-41	26" to 41"
P04-10-42-57	42" to 57"
P04-10-56-72	58" to 72"

Replaces all 01 05425 applications
Three piece also available
Also available in PENZ



DOLLY JACK WHEEL

Stoughton Number
IQ62CA06201S

DOLLY JACK

Stoughton Number
HHJS-300-B6S

S = Steel Wheel

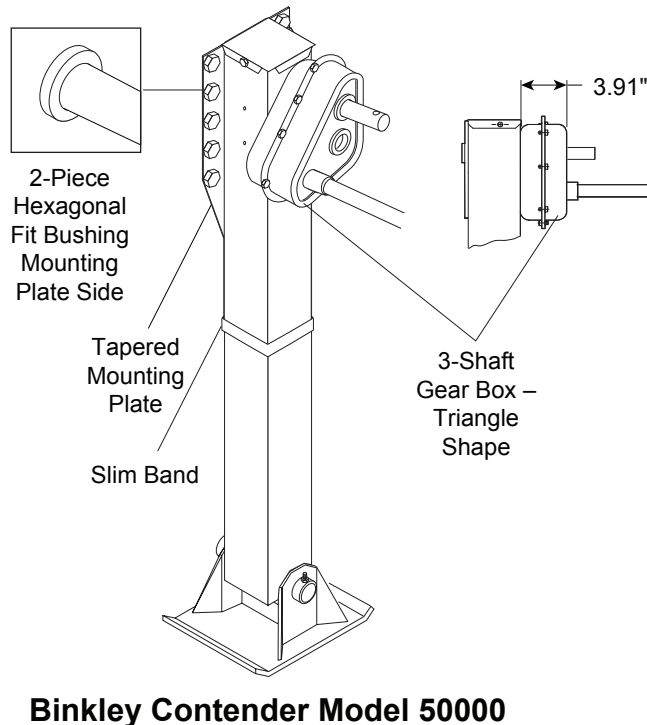
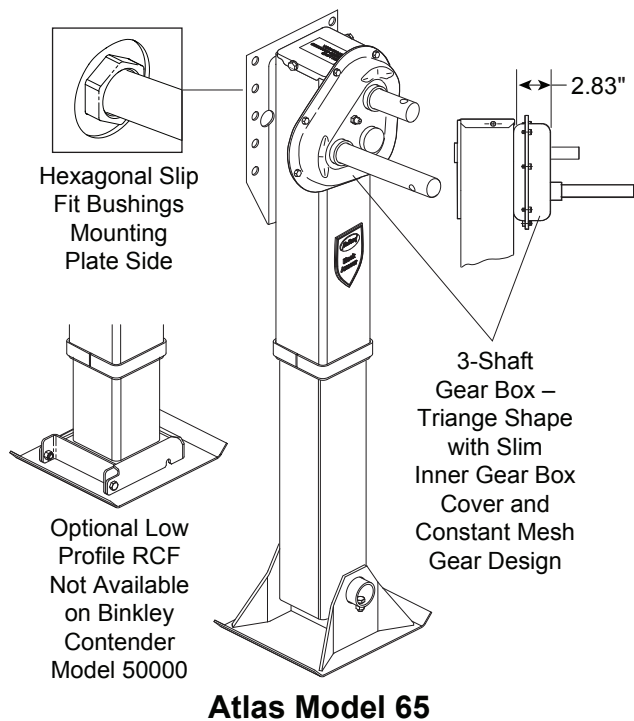
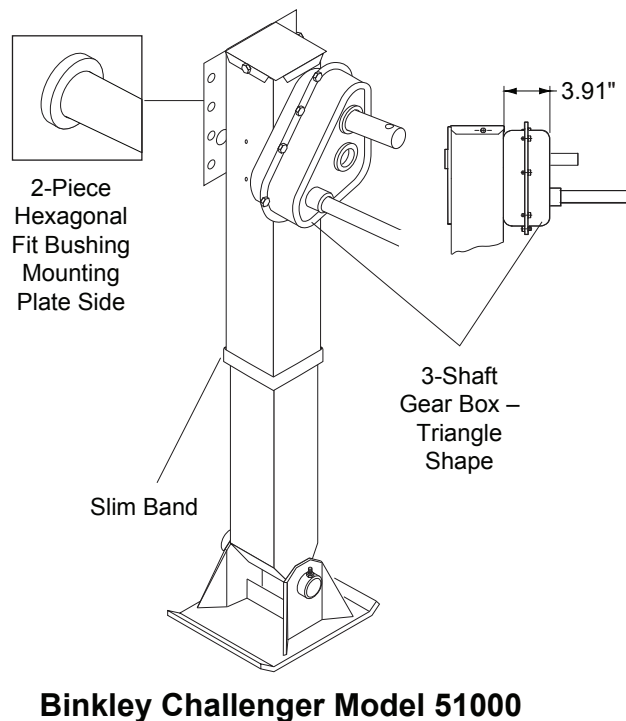
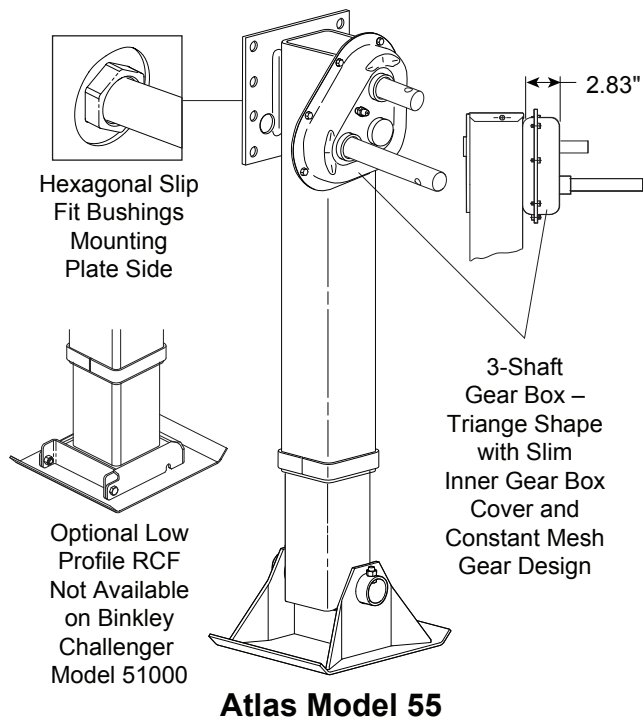


LANDING GEAR WHEELS

Stoughton Number
FE013-00174

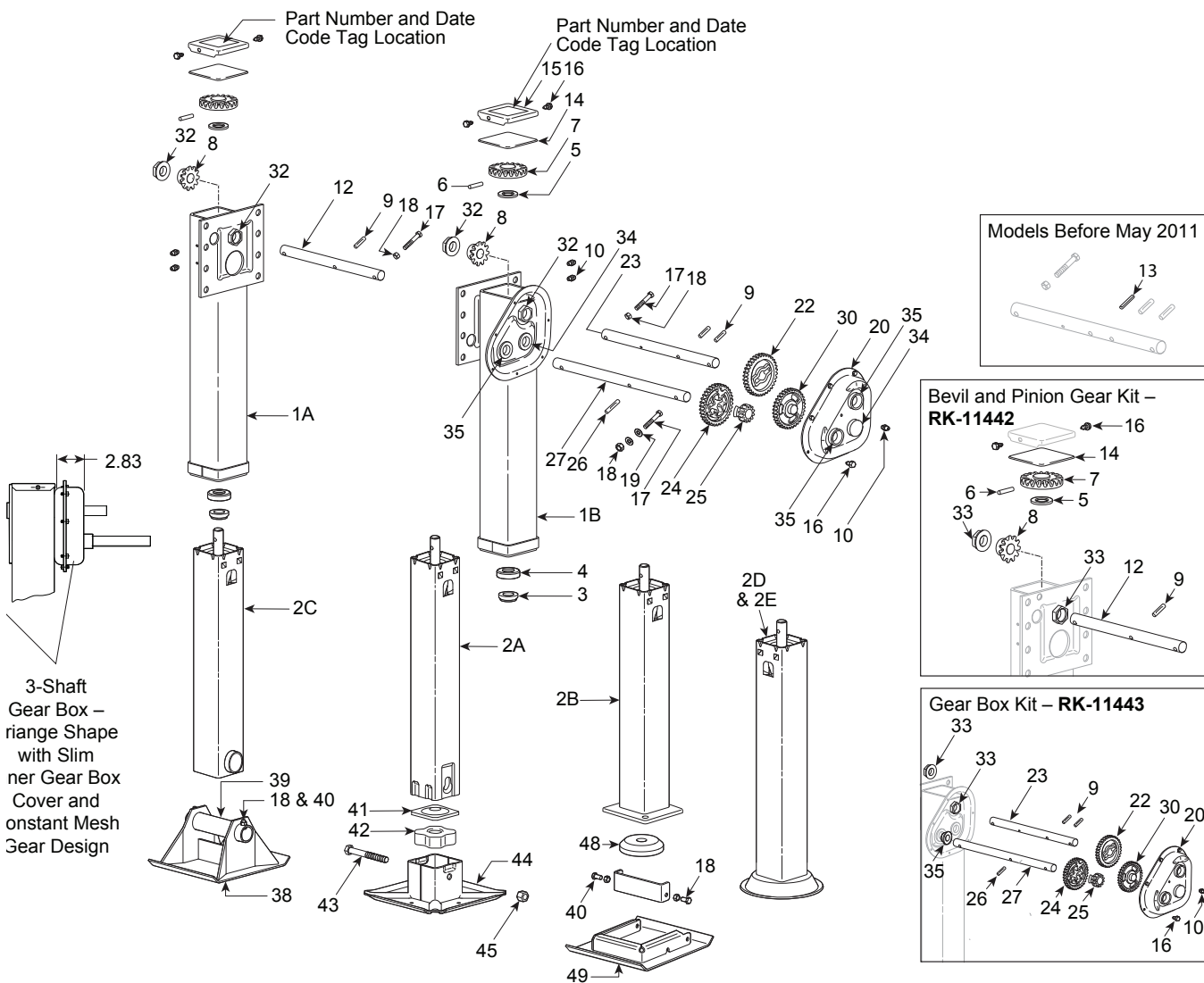
LANDING GEAR

Atlas/Binkley Landing Gear Details



LANDING GEAR

Atlas Model 55 Standard



Parts List Chart A

Item No.	Description	Retract Tube Code	Stoughton Number	
			13.5" Travel	15.5" Travel
2A	Retract Tube - RCF	0 or 5 (MRL)	BKLG3053-01	BKLG3053-02
2B	Retract Tube - Low Profile RCF	0	BKLG3097-01	BKLG3097-02
2C	Retract Tube - Axle	0	BKLG3012-01	BKLG3012-02
2D	Retract Tube - Shockfoot 10" DIA	0 or *6 (Can)	BKLG3061-02	BKLG3061-03
2E	Retract Tube - Shockfoot 12" DIA	0 or *6 (Can)	BKLG3061-01	N/A

Item No.	Description	Retract Tube Code	Stoughton Number		
			17" Travel	17" Travel *Can.	19" Travel
2A	Retract Tube - RCF	0 or 5 (MRL)	BKLG3053-03	BKLG3053-04	BKLG3053-05
2B	Retract Tube - Low Profile RCF	0	BKLG3097-03	N/A	N/A
2C	Retract Tube - Axle	0	BKLG3012-03	N/A	BKLG3012-04
2D	Retract Tube - Shockfoot 10" DIA	0 or *6 (Can)	BKLG3061-04	BKLG3061-07	BKLG3061-13
2E	Retract Tube - Shockfoot 12" DIA	0 or *6 (Can)	BKLG3061-05	BKLG3061-08	BKLG3061-14



LANDING GEAR

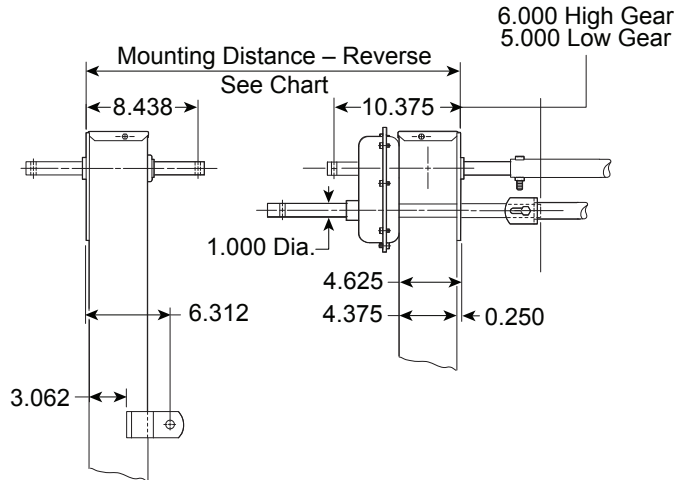
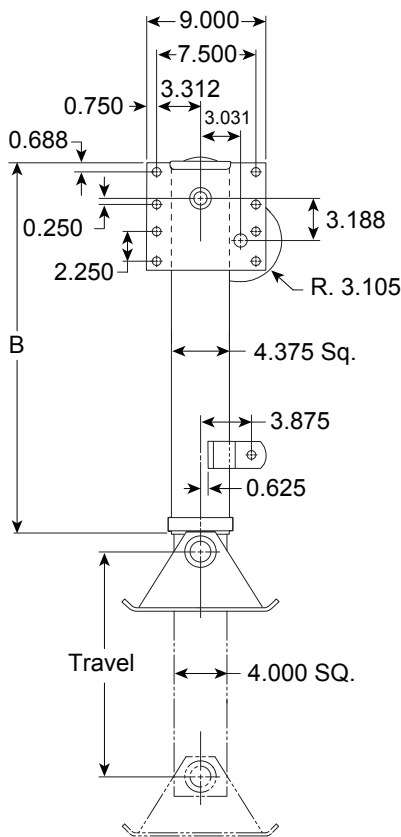
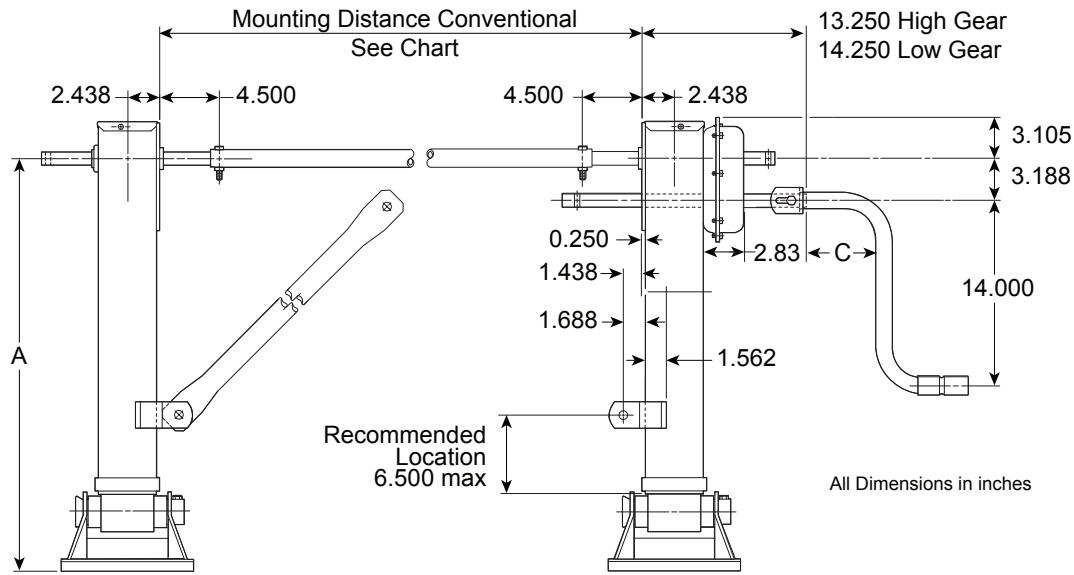
Atlas Model 55 Standard Parts List

Item No.	Stoughton Number	Description	Quantity	
			One Speed	Two Speed
1A	N/A	Upper Housing LH	-	-
1B	N/A	Upper Housing RH	-	-
3	BKXB-LG0544	Collar	1	1
4	BKXB-BRG-013-77	Thrust Bearing	1	1
5	BKXB-PW-016-62	Washer – FL 2" OD x 1.19" ID x 0.13" THK	1	1
6	BKXA-CRP-V-06635	Pin – DIA 0.38"x 2"	1	1
7	BKLG2884	Bevel Gear	1	1
8	BKLG1823-02	Pinion Gear	1	1
9	BKXB-GP-014-18	Groove Pin – DIA 0.38" x 1.50"	1	2
10	BKXB-GRF-022-16	Ftg – Grease 0.25"-28 Self Tapping	2	3
12	BKLG2964-01	Jack Shaft LH – Universal Mount	1	-
	BKLG2964-04	Jack Shaft LH – I-Beam Mount	1	-
	BKLG2964-02	Jack Shaft LH – Conventional Mount	1	-
	BKLG2964-03	Jack Shaft LH – Reverse Mount	1	-
13	N/A	Pin - Spring DIA 0.25" x 1.5" (Not Required)	-	-
14	BKXB-LG0893	Cover Gasket	1	1
15	BKXA-LG0880	Top Cover	1	1
16	BKXB-ST5-008-11	Self-Tapping Screw 0.25"-20 x 0.5" Lg	2	9
17	BKXB-HHC-050-42	Screw, Hex Cap 0.38"-16 x 2.25" Lg GR5	1	2
18	BKXB-SLN-012-04	Self-Locking Nut 0.38"-16 – Sand Shoe	2	3
19	BKXB-SLN-012-04	Self-Locking Nut 0.38"-16 – Low Profile RCF	4	5
20	BKXB-PW-016-03	Washer 0.38" Std Type A	-	2
22	BKLG2996	Gearbox Half, Outside w/Hole for Grease Fitting	-	1
22	BKLG2980	Output Gear	-	1
23	BKLG2963-01	Jackshaft RH – Universal Mount	-	1
	BKLG2963-04	Jackshaft RH – I-Beam Mount	-	1
	BKLG2963-02	Jackshaft RH – Conventional Mount	-	1
	BKLG2963-03	Jackshaft RH – Reverse Mount	-	1
24	BKLG2968	Input Gear – High	-	1
25	BKLG2969	Input Gear – Low	-	1
26	BKXB-GP-052-21	Groove Pin, Type E DIA 0.38" x 2.00" Lg	-	1
27	BKLG3011-01	Shift Shaft – Universal	-	1
	BKLG3011-02	Shift Shaft – I-Beam & Conventional	-	1
	BKLG3011-03	Shift Shaft – Reverse	-	1
30	BKLG2975	Idler Gear	-	1
32	BKLG2926	Hex Lock Boss	2	2
33	BKLG2926-10	Hex Lock Boss – Sealed*	2	2
34	BKLG3005	Output Shaft Bushing	-	2
35	BKLG0659-10	Boss Bearing – Sealed	-	3
38	NW50616001	Sand Shoe – 10" x 10" x 4.50"	1	1
	NW50616000	Sand Shoe – 10" x 12" x 4.50"	1	1
	NW50616008	Sand Shoe – 10" x 10" x 2.00"	1	1
	NW50616007	Sand Shoe – 10" x 12" x 2.00"	1	1
39	BKLG0070-02	Sand Shoe Axle – Hollow Axle 8.50" Lg	1	1
40	BKXB-HHC-050-69	Screw, Hex Cap 0.38"-16 x 0.75" Lg GR5 – Sand Shoe	1	1
41	BKXB-HHC-050-69	Screw, Hex Cap 0.38"-16 x 0.75" Lg GR5 – Low Profile RCF	2	2
42	BKLG0725	Cushion Foot Plate	1	1
42	BKXB-LG0726	Cushion Foot Rubber	1	1
43	BKXB-HHB-050-70	Bolt – Hex Head 0.63" –11 x 5.50"	1	1
44	BKLG0718-01	R.C.F. – DIA 10"	1	1
	BKLG0740-01	R.C.F. – DIA 12"	1	1
	BKLG0732-01	R.C.F. – 10" x 10"	1	1
45	XB-SP0012-10	Self-Locking Nut – 0.63"-11"	1	1
46	BKRK-11442	Bevel & Pinion Gear Repair Kit	1	1
47	BKRK11443	Gear Box Repair Kit	-	1
48	KW728003	Cushion Foot Pad – Low Profile RCF	1	1
49	KW730640	Interchangeable Collar - Low Profile RCF	1	1
50	BKRK-10919	Black Armour™ Touchup Kit (not shown)	1	1

- *Notes: 1. Only supplied in RK kits.
 2. Seal not needed in standard Atlas 55

LANDING GEAR

Atlas Model 55 Dimensions and Mounting Distances



Mounting Distances

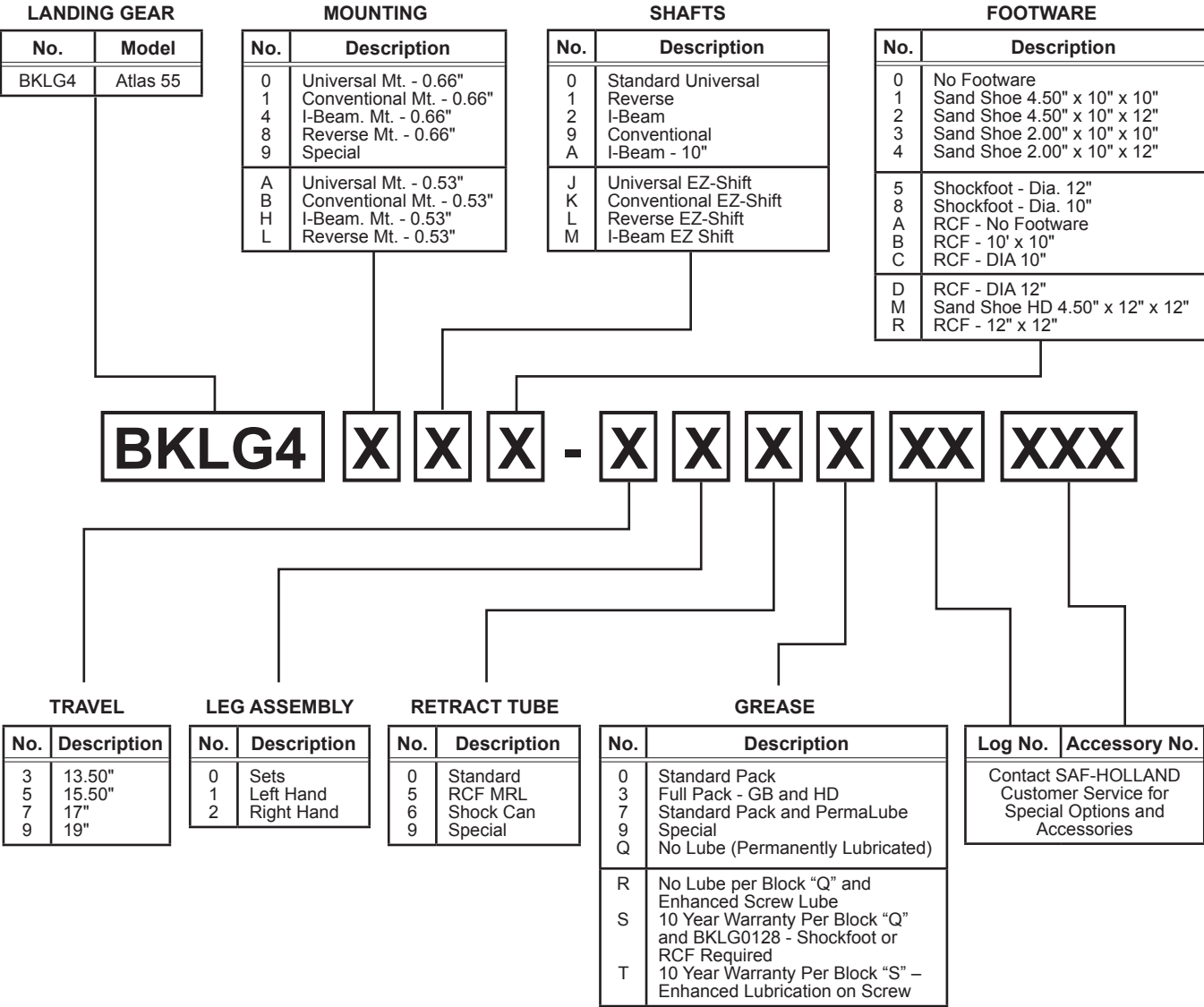
Conventional Mounting Distance	96" Wide Trailer	102" Wide Trailer
Maximum	67.50"	73.50"
Minimum - BKLG0083-01	61.50"	67.50"
Minimum - BKLG0083-03	50.25"	56.25"
Minimum - BKLG0083-05	38.25"	44.25"

Reverse Mounting Distance	96" Wide Trailer	102" Wide Trailer
Maximum	84.00"	90.00"
Minimum - BKLG0083-01	78.00"	84.00"
Minimum - BKLG0083-03	66.75"	72.75"
Minimum - BKLG0083-05	54.75"	60.75"

Atlas 55 Dimensions

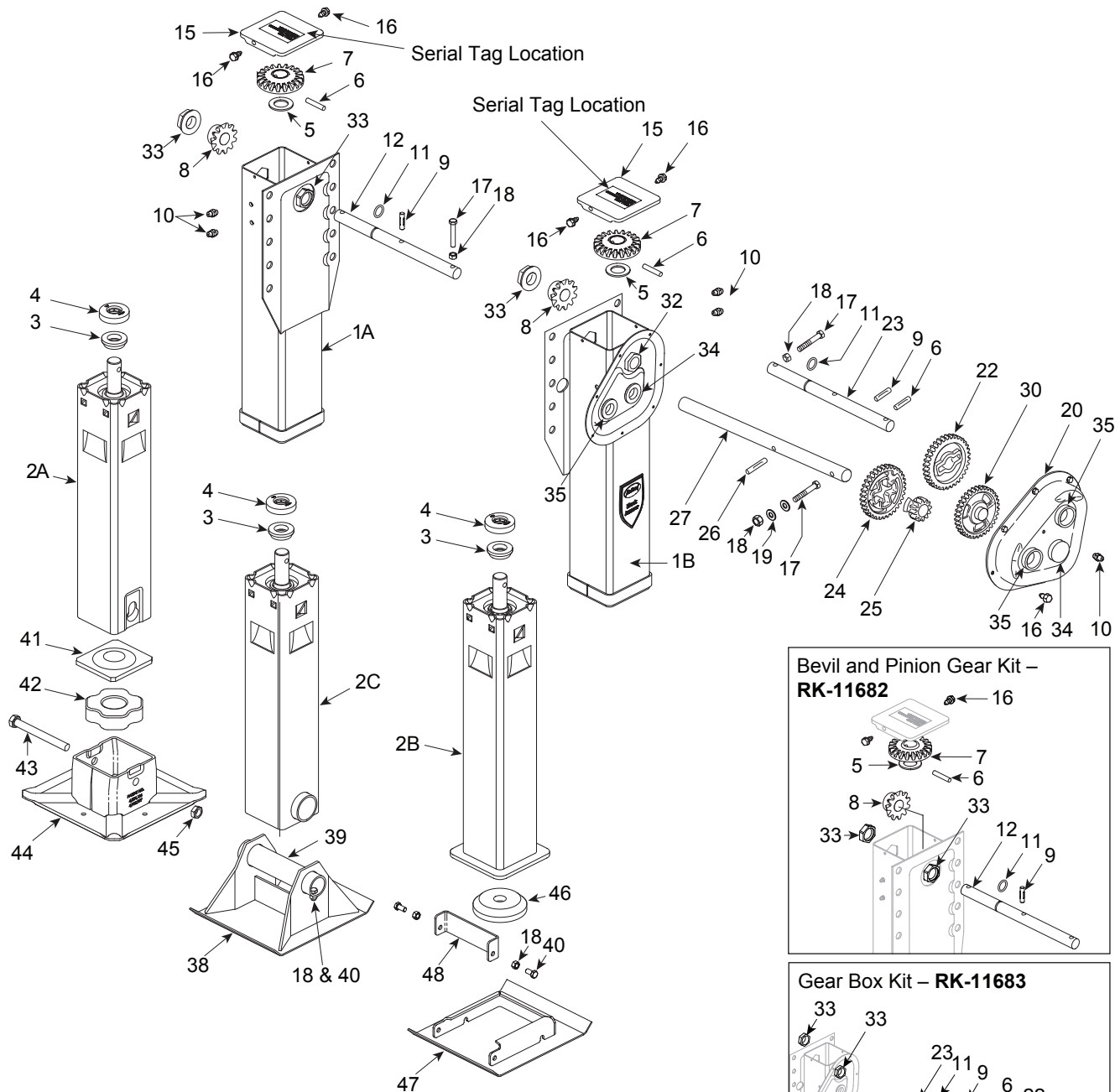
Travel	4.50" Tall Sand Shoe 10"x10" 10"x12"		2.00" Tall Sand Shoe 10"x10" 10"x12"		Shockfoot		Shockfoot Shockfoot Can		RCF Standard		RCF - MRL		Crank Number	"C"
	"A"	"B"	"A"	"B"	"A"	"B"	"A"	"B"	"A"	"B"	"A"	"B"		
13.5"	28.69"	25.56"	26.19"	25.56"	29.00"	28.56"	N/A	N/A	27.25"	25.56"	27.25"	25.56"	BKLG0083-01	5.25"
15.5"	29.69"	26.56"	27.19"	26.56"	N/A	N/A	N/A	N/A	28.25"	26.56"	28.25"	26.56"	BKLG0083-03	10.88"
17"	31.19"	28.06"	28.69"	28.06"	31.75"	30.06"	28.75"	28.06"	31.75"	30.06"	29.75"	28.06"	BKLG0083-05	16.88"
19"	33.69"	30.06"	31.19"	30.06"	34.25"	30.56"	N/A	N/A	32.38"	30.06"	N/A	N/A		

LANDING GEAR Atlas Model 55 Ordering Information



LANDING GEAR

Atlas Model 65 Standard



Parts List Chart A

Item No.	Description	Stoughton Number	
		13.5"	15.5" Travel
2A	Retract Tube – RCF	SAF211120000130	SAF211120000140
2B	Retract Tube – Low Profile RCF	SAF2111200002480	SAF2111200002490
2C	Retract Tube – Axle	SAF2111200000230	SAF2111200000240

Item No.	Description	Stoughton Number		
		17" Travel	17" Travel *MRL	19" Travel
2A	Retract Tube – RCF	SAF2111200000150	SAF2111200000160	SAF2111200000170
2B	Retract Tube – Low Profile RCF	SAF21112000002510	SAF21112000002500	SAF21112000002520
2C	Retract Tube – Axle	SAF2111200000250	N/A	SAF2111200000260



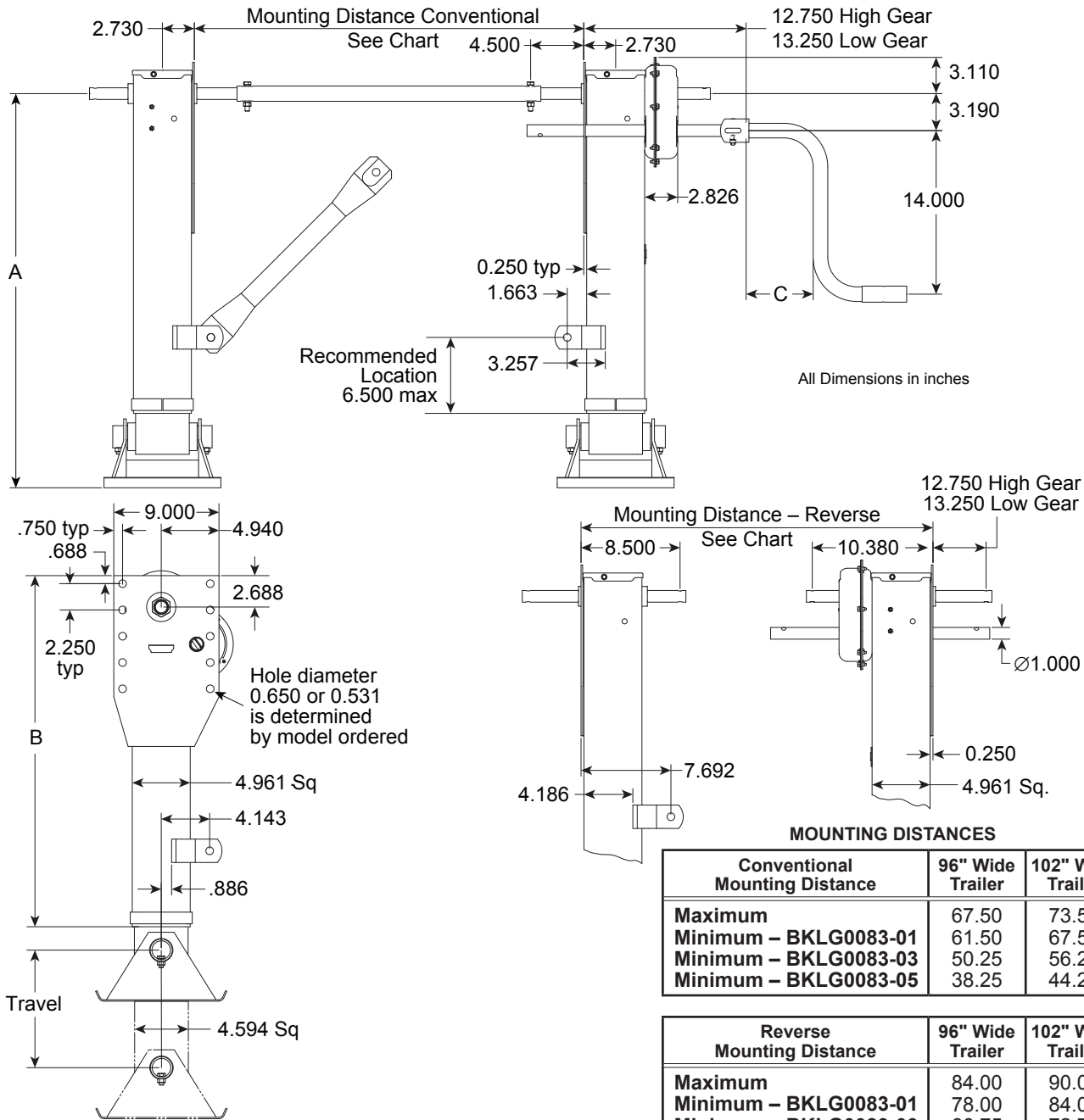
LANDING GEAR

Atlas Model 65 Standard Parts List

Item No.	Stoughton Number	Description	Quantity	
			One Speed	Two Speed
1A	N/A	Upper Housing LH	-	-
1B	N/A	Upper Housing RH	-	-
3	BKXB-LG0544	Collar	1	1
4	BKXB-BRG-013-77	Thrust Bearing	1	1
5	BKXB-PW-016-62	Washer – FL 2" OD x 1.19" ID x 0.13" THK	1	1
6	BKXA-CRP-V-06635	Pin – DIA 0.38"x 2"	1	2
7	BKLG2884	Bevel Gear	1	1
8	BKLG1823-02	Pinion Gear	1	1
9	BKXB-GP-014-18	Groove Pin – DIA 0.38" x 1.50"	1	1
10	BKXB-GRF-022-16	Ftg – Grease 0.25"-28 Self Tapping	2	3
11	BKXB-RNG-021-13	O-Ring	1	1
12	SAF2111100000430	Jack Shaft LH – Universal Mount	1	-
	SAF2111100000460	Jack Shaft LH – I-Beam Mount – 6.5"	1	-
	SAF2111100000470	Jack Shaft LH – I-Beam Mount – 10"	1	-
	SAF2111100000440	Jack Shaft LH – Conventional Mount	1	-
15	SAF2111100000450	Jack Shaft LH – Reverse Mount	1	-
16	SAF2111100000530	Top Cover	1	1
17	BKXB-ST5-008-11	Self-Tapping Screw 0.25"-20 x 0.5" Lg	2	9
18	BKXB-HHC-050-42	Screw, Hex Cap 0.38"-16 x 2.25" Lg GR5	1	2
	BKXB-SLN-012-04	Self-Locking Nut 0.38"-16 – Sand Shoe	3	4
19	BKXB-SLN-012-04	Self-Locking Nut 0.38"-16 – Low Profile RCF	3	4
20	BKXB-PW-016-03	Washer 0.38" Std Type A	-	2
	BKLG2996	Gearbox Half, Outside w/Hole for Grease Fitting	-	1
		Includes: (1) Idler Shaft Bushing – #34	-	-
		(2) Boss Bearing – Sealed – #35	-	-
22	BKLG2980	Output Gear	-	1
23	SAF2111100000480	Jackshaft RH – Universal Mount	-	1
	SAF2111100000510	Jackshaft RH – I-Beam Mount – 6.5" Shaft	-	1
	SAF2111100000520	Jackshaft RH – I-Beam Mount – 10.0" Shaft	-	1
	SAF2111100000490	Jackshaft RH – Conventional Mount	-	1
24	SAF2111100000500	Jackshaft RH – Reverse Mount	-	1
25	BKLG2968	Input Gear – High	-	1
26	BKLG2969	Input Gear – Low	-	1
27	BKXB-GP-052-21	Groove Pin, Type E DIA 0.38" x 2.00" Lg	-	1
	BKLG3011-01	Shift Shaft – Universal	-	1
30	BKLG3011-02	Shift Shaft – I-Beam & Conventional	-	1
	BKLG3011-03	Shift Shaft – Reverse	-	1
32	BKLG2975	Idler Gear	-	1
33	SAF2022100000190	Hex Lock Boss	-	1
	SAF2022300000020	Hex Lock Boss – Sealed	2	1
34	BKLG3005	Idler Shaft Bushing	-	2
35	BKLG0659-10	Boss Bearing – Sealed	-	3
38	BKLG0056	Sand Shoe – 10" x 10" x 2.00"	1	1
	BKLG0051	Sand Shoe – 10" x 12" x 2.00"	1	1
	BKLG0122	Sand Shoe – 12" x 12" x 2.00"	1	1
	BKLG0056-02	Sand Shoe – 10" x 10" x 2.00"	1	1
	BKLG0055	Sand Shoe – 10" x 10" x 4.50"	1	1
	BKLG0050	Sand Shoe – 10" x 12" x 4.50"	1	1
	BKLG0065-04	Sand Shoe – 12" x 12" x 4.50"	1	1
	BKLG1815-05	Sand Shoe – 16" x 16" x 4.50"	1	1
	BKLG0055-01	Sand Shoe – 10" x 10" x 4.50"	1	1
	BKLG0065	Sand Shoe – 10" x 12" x 4.50"	1	1
	BKLG0065-01	Sand Shoe – 12" x 12" x 4.50"	1	1
	BKLG0065-02	Sand Shoe – 12" x 17" x 4.50"	1	1
39	BKLG0070-02	Sand Shoe Axle – Hollow Axle 8.50" Lg	1	1
40	BKXB-HHC-050-69	Screw, Hex Cap 0.38"-16 x 0.75" Lg GR5 – Sand Shoe	2	2
41	BKXB-HHC-050-69	Screw, Hex Cap 0.38"-16 x 0.75" Lg GR5 – Low Profile RCF	2	2
42	SAF2034160000150	Cushion Foot Plate	1	1
43	BKXB-LG0713	Cushion Foot Rubber	1	1
	BKXB-HHB-050-58	Bolt – Hex Head 0.63"-11 x 6.00"	1	1
44	SAF2034200000170	R.C.F. – 10" x 10"	1	1
45	XB-SP0012-10	Self-Locking Nut – 0.63"-11"	1	1
46	BK728003	Cushion Foot Pad – Low Profile RCF	1	1
47	BK730640	Low Profile RCF	1	1
48	BK730638	Interchangeable Strap	1	1
49	BKRRK-11682	Bevel & Pinion Gear Repair Kit	1	1
50	BKRRK-11683	Gear Box Repair Kit	-	1
51	BKRRK-10919	Black Armour™ Touchup Kit (not shown)	1	1

LANDING GEAR

Atlas Model 65 Dimensions and Mounting Distances



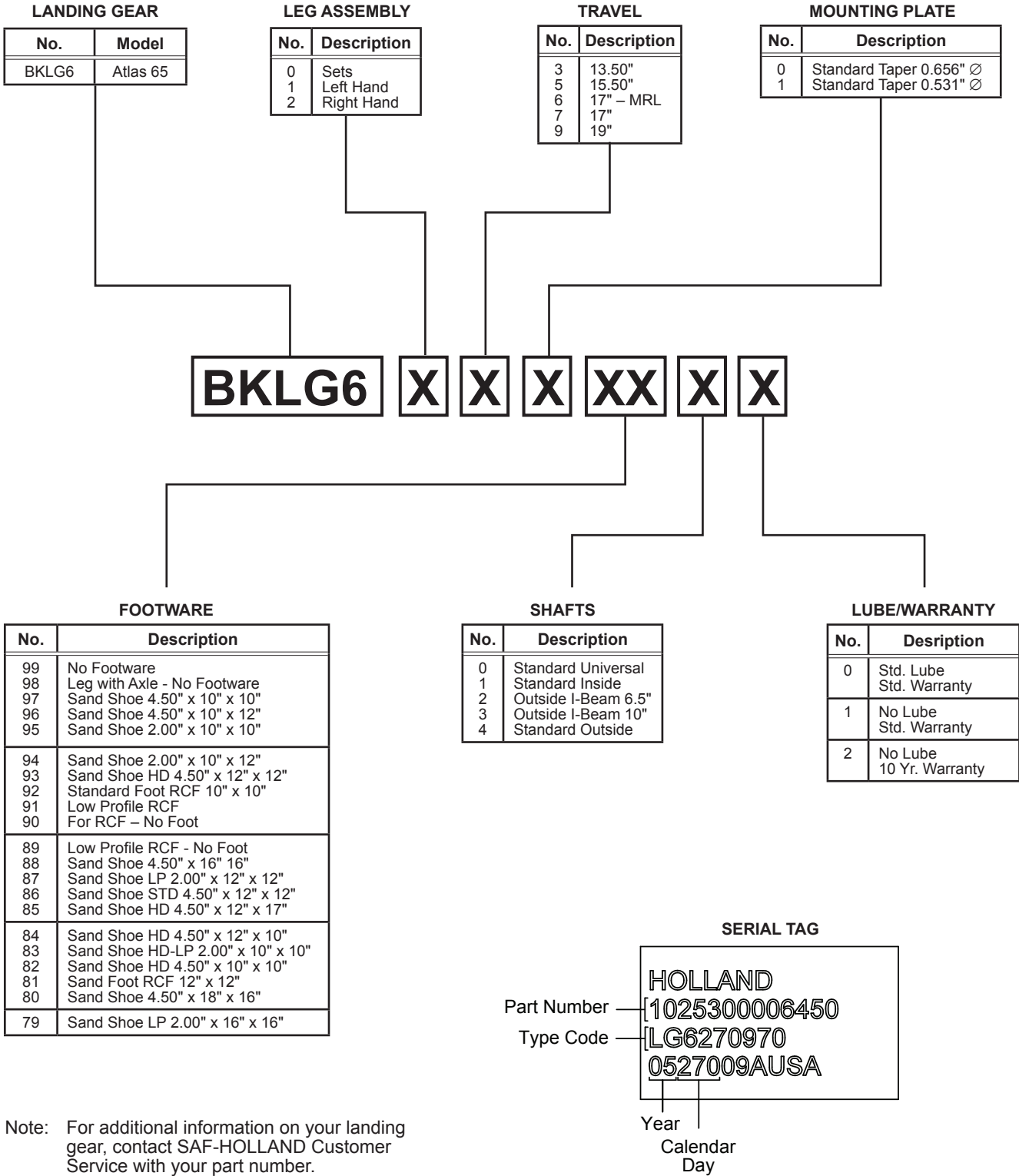
Atlas 65 Dimensions

Travel	4.50" Tall Sand Shoe 10"x10" 10"x12" 12"x12" 16"x16"		4.50" Tall Sand Shoe 10"x10" 10"x12" 12"x12" 12"x17"		2.00" Tall Sand Shoe 10"x10" 10"x12" 12"x12"		2.00" Tall HD Sand Shoe 10"x10"		RCF Standard		RCF Low Profile		Crank Number	"C"
	"A"	"B"	"A"	"B"	"A"	"B"	"A"	"B"	"A"	"B"	"A"	"B"		
13.5"	28.85"	25.56"	28.85"	25.56"	26.35"	25.56"	26.35"	25.56"	27.41"	25.56"	27.40"	25.56"	BKLG0083-01	6.38"
15.5"	29.85"	26.56"	29.85"	26.56"	27.35"	26.56"	27.35"	26.56"	28.41"	26.56"	28.40"	26.56"	BKLG0083-03	12.00"
17" MRL	N/A	N/A	N/A	N/A	N/A	N/A	N/A	N/A	29.91"	28.06"	28.90"	28.06"	BKLG0083-05	18.00"
17"	31.35"	28.06"	31.35"	28.06"	28.85"	28.06"	28.85"	28.06"	31.91"	30.06"	31.90"	30.06"		
19"	33.85"	30.06"	33.85"	30.06"	31.35"	30.06"	31.35"	30.06"	32.54"	30.06"	32.50"	30.06"		



LANDING GEAR

Atlas Model 65 Ordering Information

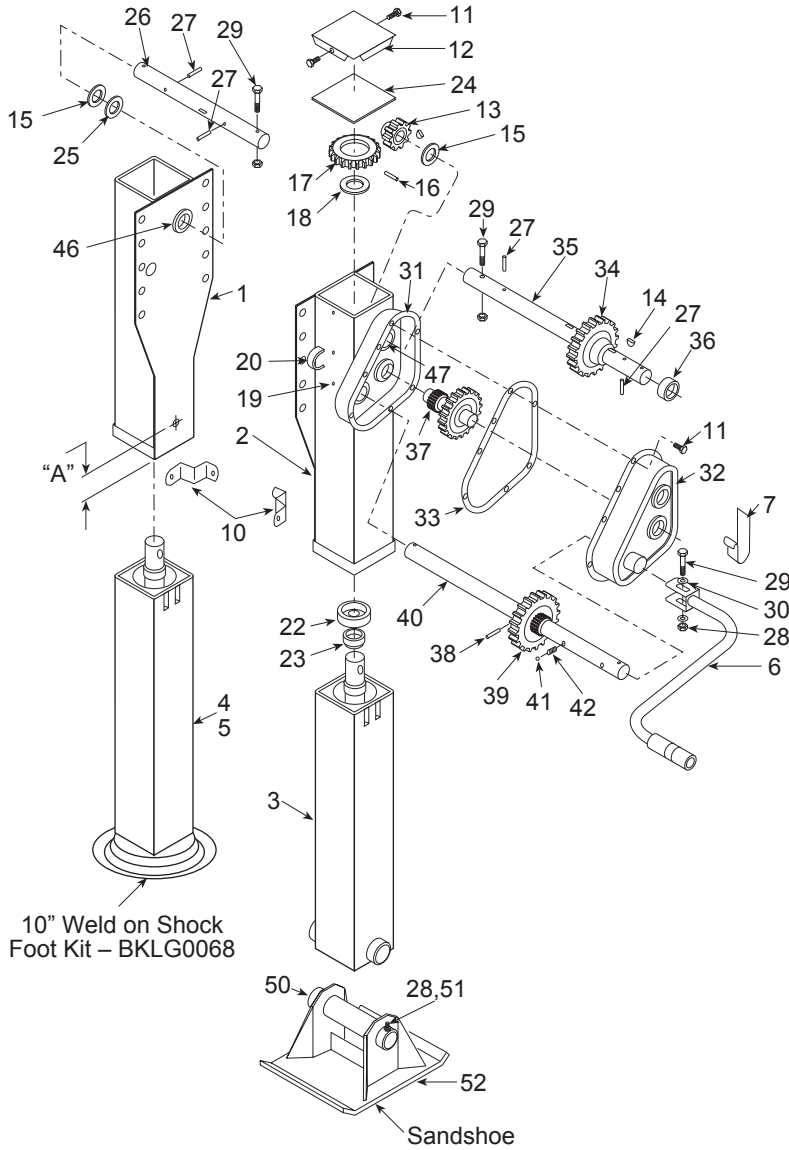


Note: For additional information on your landing gear, contact SAF-HOLLAND Customer Service with your part number.

LANDING GEAR

Binkley Challenger Model 50,000

Legs/sets cannot be ordered.
Information shown for reference only.



UNIVERSAL MOUNT
SAND SHOE 10" x 10" x 4 1/2"

Stoughton Number	Description
BKLG5001-70	Complete Set With Hardward
BKLG5001-70 L/HDW	Complete Set Without Hardware
BKLG5001-71	Non-Gear Leg Only
BKLG5001-72	Gearside Leg Only

Parts List Chart A

Item No.	Description	Stoughton Number		
		17" Travel A = 3/4"	13 1/2" Travel A = No Hole	19" Travel A = 3 1/4"
1	Upper HSG. Left Hand	BKLG0229-02	BKLG0229-04	BKLG0229-06
2	Upper HSG. Right Hand (with Gearbox Half)	BKLG0228-02	BKLG0228-04	BKLG0228-06
3	Retracting Tube Assembly	BKLG0574-02	BKLG0574-01	BKLG0574-04
4	Retracting Tube Assembly 10" Dia. Shock Foot	BKLG0569	BKLG0569-01	BKLG0569-04
5	Retracting Tube Assembly 12" Dia. Shock Foot	BKLG0580-02	BKLG0580-05	BKLG0580-03



LANDING GEAR

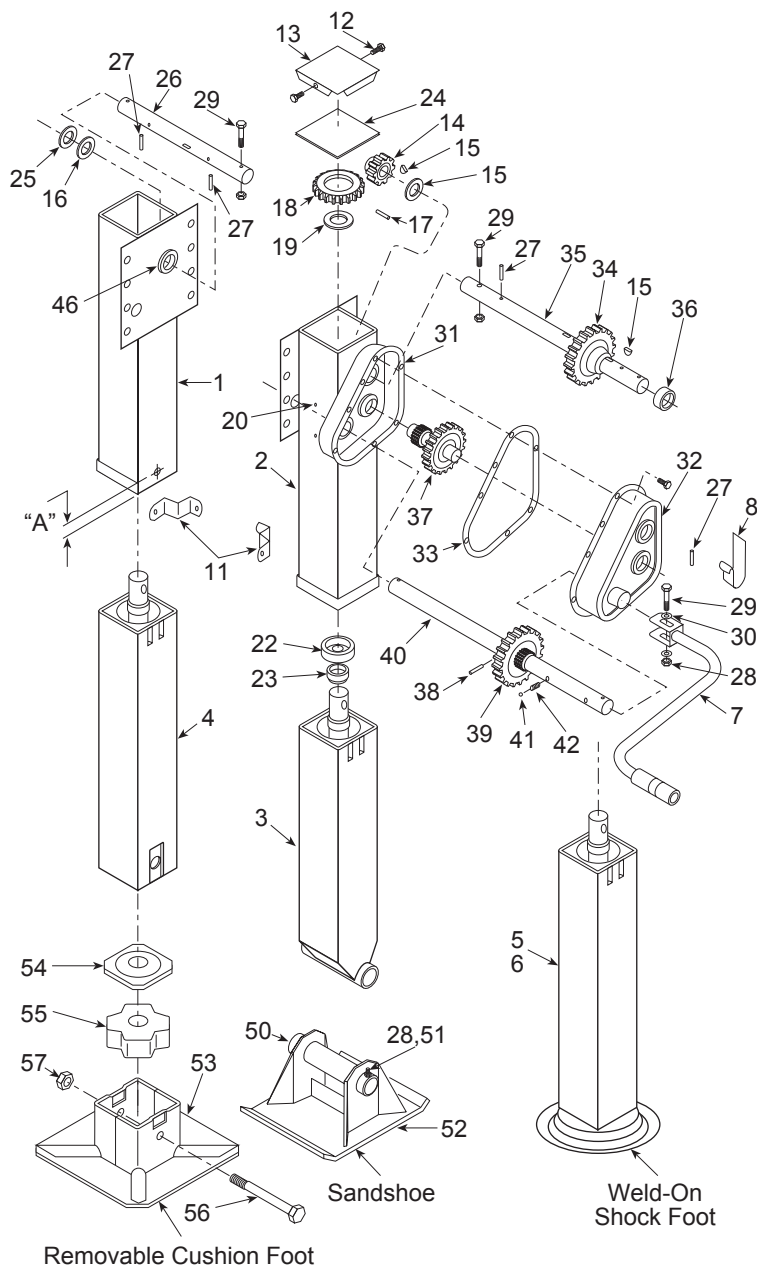
Binkley Challenger Model 50,000 Parts List

Item No.	Stoughton Number	Description	Quantity
1	See Chart A	Upper HSG. Left Hand	1
2	See Chart A	Upper HSG. Right Hand (with Gearbox Half)	1
3	See Chart A	Retracting Tube Assembly	2
4	See Chart A	Retracting Tube Assembly – 10" Diameter Shock Foot	2
5	See Chart A	Retracting Tube Assembly – 12" Diameter Shock Foot	2
6	BKLG0083	Universal Crank	1
7	BKLG0085	Crank Hanger	1
8	BKLG0094	Cross Drive Shaft (not shown)	1
9	BKLG0091	Strut Brace (not shown)	4
10	BKLG0266	Strut Bracket	2
11	BKXB-ST5-008-11	Screw – Cover and Gearbox	11
12	BKLG0264	Cover	2
13	BKLG0531-02	Pinion Gear	2
14	BKPP0018-02	Woodruff Key	3
15	BKXB-PW-016-19	Thrust Washer	2
16	BKXB-GP-052-21	Groove Pin	2
17	BKLG0570-01	Bevel Gear	2
18	BKXB-PW-016-62	Washer	2
19	BKPP0022-08	Grease Fitting	5
20	BKLG1364	Shift Shaft Support	1
21	BKLG0668	Rubber Seal Behind Gearbox (not shown)	1
22	BKPP0013-77	Thrust Bearing	2
23	BKLG0544	Collar	2
24	BKLG0413	Cover Gasket	2
25	BKPP0016-14	Thrust Washer Left Hand	1
26	BKLG0259	Jack Shaft Left Hand Universal Mount	1
	BKLG0369-01	Jack Shaft Left Hand I-Beam Mount	1
27	BKPP0014-27	Roll Pin	4
28	BKPP0012-04	Self-Locking Nut	5
29	BKPP0050-42	Bolt – Crank and Cross Drive	3
30	BKPP0016-03	Flat Washer	2
31	BKLG0662	Gear Box Half-Inside	1
32	BKLG0663	Gear Box Half-Outside	1
33	BKLG0428	Gasket	1
34	BKLG0543-01	Output Gear	1
35	BKLG0260	Jack Shaft Right Hand Universal Mount	1
	BKLG0370-01	Jack Shaft Right Hand I-Beam Mount	1
36	BKLG0219-01	Spacer Bushing	1
37	BKLG0542-01	Idler Gear	1
38	BKPP0014-07	Groove Pin	1
39	BKLG0541-01	Input Gear	1
40	BKLG0261-01	Shift Shaft Universal Mount	1
	BKLG0371-01	Shift Shaft I-Beam Mount	1
41	BKXB-BAL-023-07	Shift Lock Ball	1
42	BKXB-SPG-020-36	Shift Lock Spring	1
43	BKLG0658-01	Shift Lock Boss (Press Fit)	1
44	BKLG0559-01	Double Step Boss (not shown)	1
45	BKLG1570	Retainer (not shown)	1
46	BKLG0219	Bushing	2
47	BKLG0660	Step Boss G.B. to HSG. Press Fit	1
48	BKLG0659-01	Boss Press Fit – G.B. (not shown)	4
49	BKLG0553	Gear Box Assy. – Complete Univ. Mount (not shown)	1
50	BKLG0070-02	Shoe Axle	2
51	BKPP0050-69	Hex Head Bolt	2
52	BKLG0050	Shoe 10" x 12" x 4 1/2"	2
	BKLG0055	Shoe 10" x 10" x 4 1/2"	2
	BKLG0051	Shoe 10" x 12" x 2"	2
	BKLG0056	Shoe 10" x 10" x 2"	2

LANDING GEAR

Binkley Contender Model 51,000

Legs/sets cannot be ordered.
Information shown for reference only.



BOLT-ON CUSHION FOOT

Stoughton Number	Description
BKLG400B	10" X 10" Square Removable Bolt-On With Hardware
BLKG400B-70 L/HDW	10" X 10" Square Removable Bolt-On Without Hardware
BKLG400C	10" Round Bolt-On

UNIVERSAL MOUNT 10" ROUND CUSHION FOOT

Stoughton Number	Description
BKLG4008-70	Complete Set
BKLG4008-71	Non-Gear Leg Only
BKLG4008-72	Gearside Leg Only

I-BEAM MOUNT 10" x 10" REMOVABLE SHOE

Stoughton Number	Description
BKLG44AB-70	Complete Set
BKLG44AB-71	Non-Gear Leg Only
BKLG44AB-72	Gearside Leg Only

UNIVERSAL MOUNT SAND SHOE 10" x 10" x 4 1/2"

Stoughton Number	Description
BKLG4001-70	Complete Set With Hardware
BKLG4001-70 L/HDW	Complete Set Without Hardware
BKLG4001-71	Non-Gear Leg Only
BKLG4001-72	Gearside Leg Only

215 lbs per set, 16 per skid
Uses BKLG0094 Cross Shaft

Parts List Chart A

Item No.	Description	Stoughton Number		
		17" Travel A = 3/4"	13 1/2" Travel A = No Hole	19" Travel A = 3 1/4"
1	Upper HSG. Left Hand	BKLG0888-02	BKLG0888-01	BKLG0888-03
2	Upper HSG. Right Hand (with Gearbox Half)	BKLG0950-02	BKLG0950-01	BKLG0950-03
3	Retracting Tube Assembly	BKLG0613-02	BKLG0914-01	BKLG0613-03
4	Retracting Tube Assembly - R.C.F.	BKLG0748-17	BKLG0884-01	BKLG0884-01
5	Retracting Tube Assembly 10" Dia. Shock Foot	BKLG0624-08	BKLG0624-07	BKLG0624-09
6	Retracting Tube Assembly 12" Dia. Shock Foot	BKLG0624-02	BKLG0624-01	BKLG0624-03



LANDING GEAR

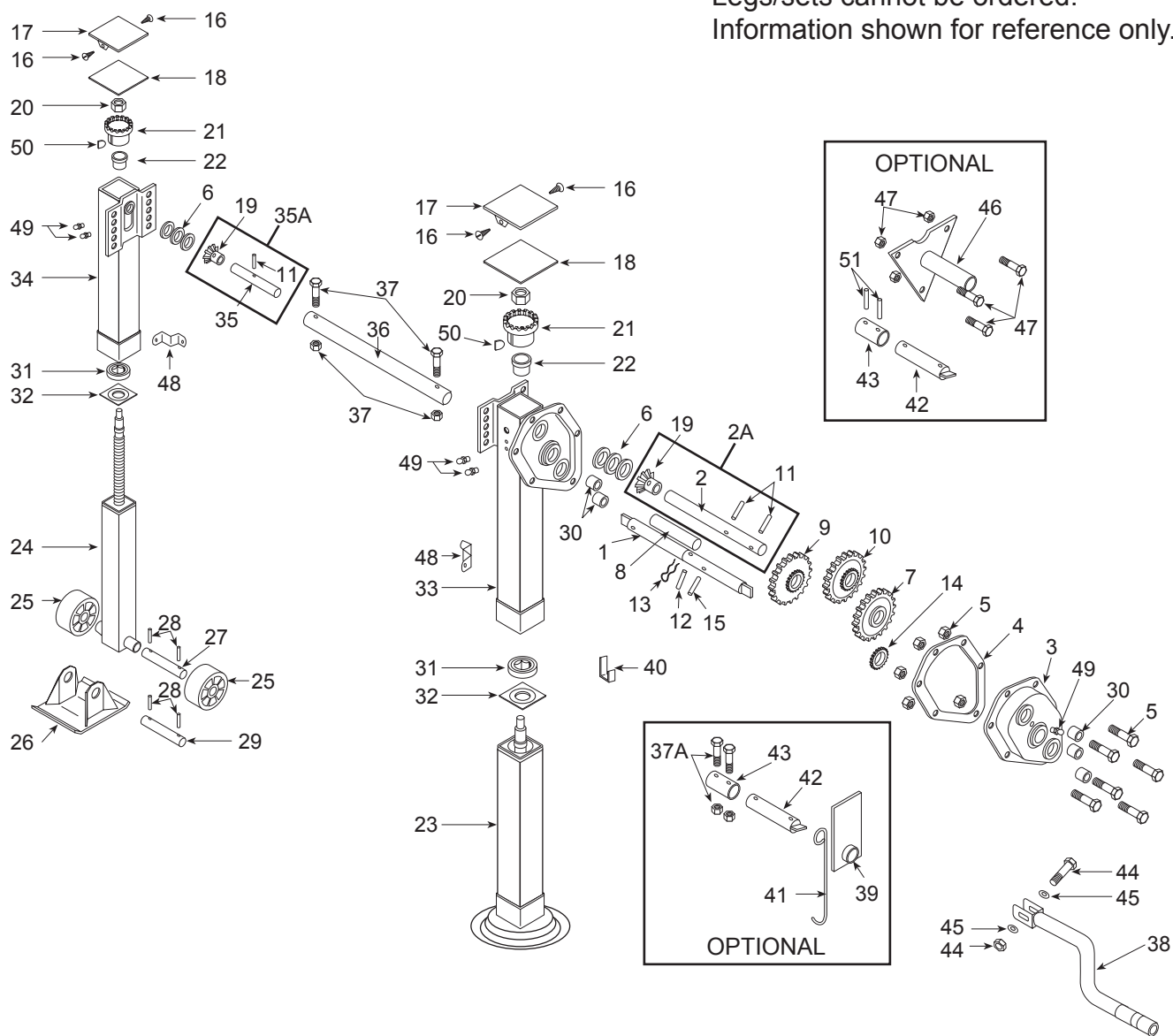
Binkley Contender Model 51,000 Parts List

Item No.	Stoughton Number	Description	Quantity
1	See Chart A	Upper HSG. Left Hand	1
2	See Chart A	Upper HSG. Right Hand (with Gearbox Half)	1
3	See Chart A	Retracting Tube Assembly	2
4	See Chart A	Retracting Tube Assembly – R.C.F.	2
5	See Chart A	Retracting Tube Assembly – 10" Diameter Shock Foot	2
6	See Chart A	Retracting Tube Assembly – 12" Diameter Shock Foot	2
7	BKLG0083	Universal Crank	1
8	BKLG0085	Crank Hanger	1
9	BKLG0094	Cross Drive Shaft (not shown)	1
10	BKLG0091	Strut Brace (not shown)	4
11	BKLG0266	Strut Bracket	2
12	BKXB-ST5-008-11	Screw-Cover and Gasket	11
13	BKLG0675	Cover	2
14	BKLG1823-01	Pinion Gear	2
15	BKPP0018-02	Woodruff Key	3
16	BKXB-PW-016-19	Thrust Washer	2
17	BKXB-GP-052-21	Groove Pin	2
18	BKLG0570-01	Bevel Gear	2
19	BKXB-PW-016-62	Washer	2
20	BKPP0022-08	Grease Fitting	5
21	BKLG0668	Rubber Seal Behind Gearbox (not shown)	1
22	BKPP0013-77	Thrust Bearing	2
23	BKLG0544	Collar	2
24	BKXB-LG0893	Cover Gasket	2
25	BKPP0016-14	Thrust Washer Left Hand	1
26	BKLG0599	Jack Shaft Left Hand Universal Mount	1
	BKLG0946	Jack Shaft Left Hand I-Beam Mount	1
27	BKPP0014-27	Roll Pin	4
28	BKPP0012-04	Self-Locking Nut	5
29	BKPP0050-42	Bolt-Crank and Cross Drive	3
30	BKPP0016-03	Flat Washer	2
31	BKLG0662	Gear Box Half-Inside	1
32	BKLG0663	Gear Box Half-Outside	1
33	BKLG0428	Gasket	1
34	BKLG0543-01	Output Gear	1
35	BKLG0615	Jack Shaft Right Hand Universal Mount	1
	BKLG0928	Jack Shaft Right Hand I-Beam Mount	1
36	BKLG0219-01	Spacer Bushing	1
37	BKLG0542-01	Idler Gear	1
38	BKPP0014-07	Groove Pin	1
39	BKLG0541-01	Input Gear	1
40	BKLG0261-01	Shift Shaft Universal Mount	1
	BKLG0371-01	Shift Shaft I-Beam Mount	1
41	BKXB-BAL-023-07	Shift Lock Ball	1
42	BKXB-SPG-020-36	Shift Lock Spring	1
43	BKLG0658-01	Shift Lock Boss (Press Fit)	1
44	BKLG0559-01	Double Step Boss (not shown)	1
45	BKLG1570	Retainer (not shown)	1
46	BKLG0219	Bushing	2
47	BKLG0660	Step Boss G.B. to HSG. Press Fit	1
48	BKLG0659-01	Boss Press Fit – G.B. (not shown)	4
49	BKLG0553-05	Gear Box Assy. – Complete Univ. Mount (not shown)	1
50	BKLG0070-02	Shoe Axle	2
51	BKXB-HHC-050-69	Hex Head Bolt	2
52	BKLG0050	Shoe 10" x 12" x 4 1/2"	2
	BKLG0055	Shoe 10" x 10" x 4 1/2"	2
	BKLG0051	Shoe 10" x 12" x 2"	2
	BKLG0056	Shoe 10" x 10" x 2"	2
53	BKLG0718-01	R.C.F. 10" Diameter	2
	BKLG0740-01	R.C.F. 12" Diameter	2
54	BKLG0732-01	R.C.F. 10" x 10"	2
55	BKLG0725	Cushion Foot Plate	2
56	BKLG0726	Cushion Foot Rubber	2
56	BKXB-HHB-050-70	Hex Head Bolt	2
57	BKPP0012-10	Hex Head Nut	2

LANDING GEAR

Holland Mark V Model – Old Design Before May 1994

Legs/sets cannot be ordered.
Information shown for reference only.



STANDARD SKID FOOT

Stoughton Number	Description
HHLGS-3A105	Complete Set
HHXA-S9-3A105	Non-Gear Leg Only
HHXA-S8-3A105	Gearside Leg Only

LOW PROFILE FOOT

Stoughton Number	Description
HHLG75-2A113	Complete Set
HHXA-S9-2A113	Non-Gear Leg Only
HHXA-S8-2A113	Gearside Leg Only

SELF-LEVELING FOOT

Stoughton Number	Description
HHLG75-2A001	Complete Set
HHXA-S9-2A001	Non-Gear Leg Only
HHXA-S8-2A001	Gearside Leg Only



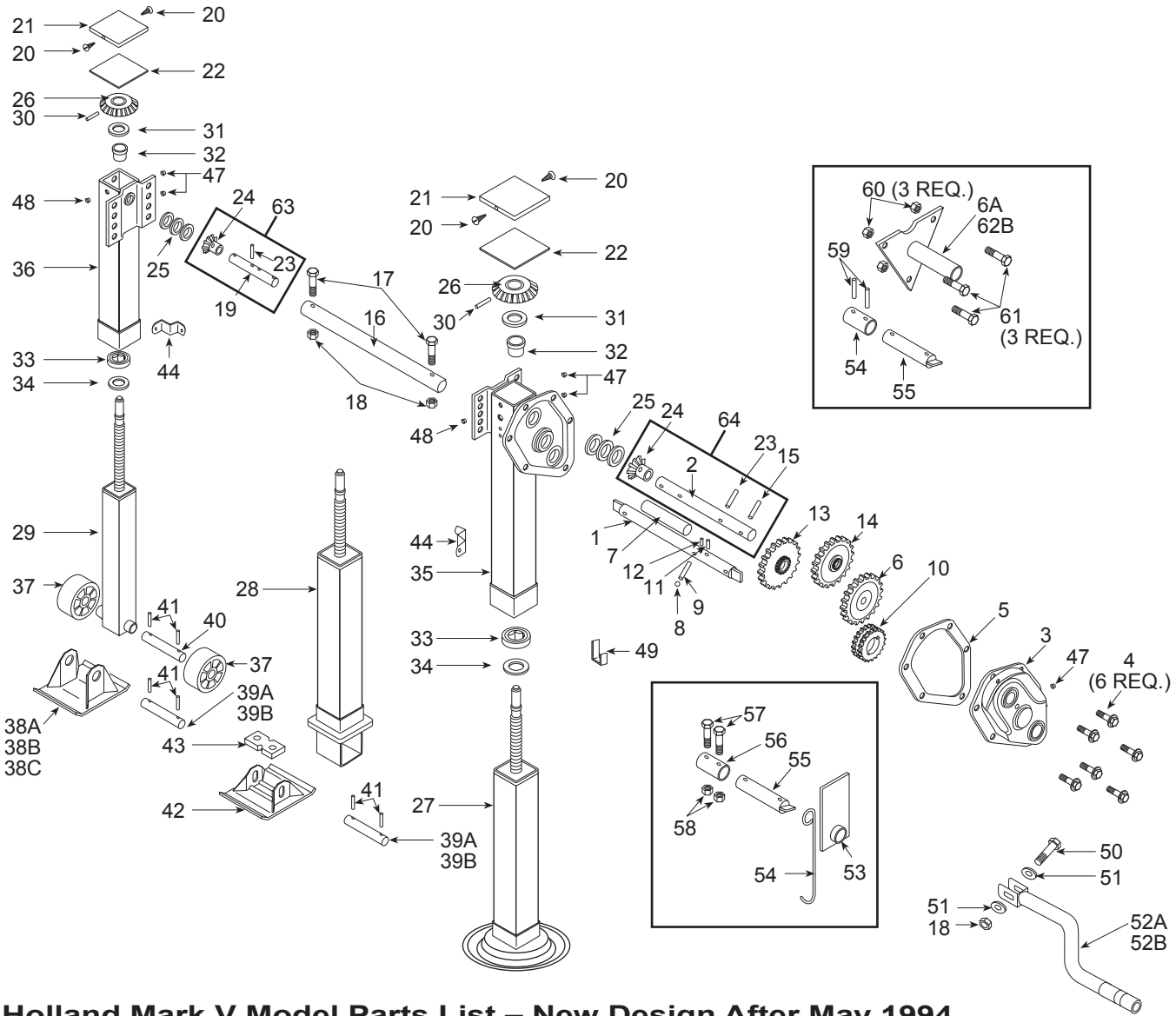
LANDING GEAR

Holland Mark V Model Parts List – Old Design Before May 1994

Item No.	Stoughton Number	Description	2-Speed Side	Single Speed Side
1	HHXA-V-05159A	Crankshaft	1	
2	Part of 2A	Drive Gear Shaft (2-speed)	1	
2A	HHRK-V-05801-2	Drive Gear Shaft Kit (2-speed)	1	
3	HHXA-V-1920	Gearbox Cover	1	
4	HHXB-V-1926	Gasket	1	
5	HHXB-3103	Locknut 1/4"-28	6	
6	HHXB-CX14-28F-58	Hex Head Cap Screw 1/2"-28 x 5/8"	6	
7	HHXB-H-36	Shims (as required)	3	3
8	HHXA-V-1927	Idler Gear	1	
	HHXA-V-1957	Idler Gear Shaft	1	
9	HHXA-V-1928-1	Step Gear (undrilled)	1	
10	HHXA-V-1928	Step Gear (drilled)	1	
11	Part of 2A and 35A	Spiral Pin 3/8" x 1 1/2"	2	1
12	HHXB-21-S-187-1250	Spiral Pin 3/16" x 1 1/4"	1	
13	HHXB-V-1949	Shifter Spring	1	
14	HHXA-V-1929	Shifter Gear	1	
15	HHXA-CRP-V-1917	Pin 3/8" x 1 7/16"	1	
16	HHXB-MSR-316C500	Self Tapping Screw	2	2
17	HHXA-V-1966-2	Metal Leg Cover	1	1
18	HHXB-V-07054	Gasket	1	1
19	Part of 2A and 35A	Bevel Pinion	1	1
20	HHXB-FW-25	Jam Nut 1"-14	1	1
21	HHXA-V-1962	Bevel Gear	1	1
22	HHXB-V-643-A2	Bushing	1	1
23	HHXA-V60-A-0 thru -5	Inner Leg & Screw Assembly (-001 series)	1	1
24	HHXA-V63-A-0 thru -5	Inner Leg & Screw Assembly (-103 & -105)	1	1
25	HHXB-V-747	Wheel (3 1/2" x 9")	2	2
26	HHXA-V-796-B-1	Skid Foot 12" x 11 1/2" (-105 models)	1	1
27	HHXA-V-1901-2	Axle (wheel models)	1	1
28	HHXB-21S-3753000	Roll Pin 3/8" x 3" (-103 & -105 models)	2	2
29	HHXA-V-1901-1	Axle (skid foot models)	1	1
30	HHXB-V-851	Bushing	5	
31	HHXB-V-647	Thrust Bearing	1	1
32	HHXA-V-1913	Thrust Washer	1	1
33	HHXA-V25-0 thru -5	Outer Leg Assembly (2 speed)	1	
34	HHXA-V50-0 thru -5	Outer Leg Assembly (single speed)		1
35	Part of 35A	Drive Gear Shaft (single speed)		1
35A	HHRK-V-05801-1	Drive Gear Shaft Kit (single speed)		1
36	HHXA-V-1910	Cross Shaft (specify frame width, mounting style, i.g. model number)		1
37	HHXB-V-444-1	Hex Head Cap Screw 3/8"-16 x 1 3/4"	1	1
	HHXB-338	Locknut 3/8"-16	1	1
37A	HHXB-V-444-1	Hex Head Cap Screw 3/8"-16 x 1 3/4" (optional)	1	1
	HHXB-338	Locknut 3/8"-16 (optional)	1	1
38	HHXA-V-90-0	Crank Assembly	1	
39	HHXA-V-90-2	Extra Long Crank Assembly (optional)	1	
40	HHXA-V-971	Crankshaft Bracket (optional)	1	
41	HHXA-V-1914	Crank Hanger	1	
42	HHXB-V-1915	Crank Hanger (optional)	1	
	HHXA-V-1916	Extension Shaft - Long (optional)	1	
43	HHXA-V-1916-1	Extension Shaft - Short (optional)	1	
44	HHXA-V-630-2	Crankshaft Coupling (optional)	1	
	HHXB-H-332	Hex Head Bolt 3/8"-16 x 3"	1	
	HHXB-338	Locknut 3/8"-16	1	
45	HHXB-1108	SAE 3/8" Washer	2	
46	HHXA-V-1912-1	Extension Bracket – Long (optional)	1	
47	HHXA-V-1912-2	Extension Bracket – Short (optional)	1	
	HHXB-0140	Hex Head Cap Screw 1/4"-28 x 2 1/2" (optional)	3	
	HHXB-3103	Locknut 1/4"-28 (optional)	3	
48	HHXA-V-1938	Brace	1	1
49	HHXB-767	Lube Fitting	3	2
50	HHXB-H-32-2	Woodruff Key	1	1
51	HHXB-GP-38-138-5	Groove Pin 3/8" x 1 3/8" (optional)	2	

LANDING GEAR

Holland Mark V Model – New Design After May 1994



Holland Mark V Model Parts List – New Design After May 1994

Item No.	Stoughton Number	Description	2-Speed Side
1	HHXA-V-06625-A	Crankshaft	1
2	HHXA-V-06624-A	Drive Gear Shaft	1
3	HHXA-V-06618	Gearbox Cover	1
4	HHXB-06372	Thread Rolling Screw	8
5	HHXB-V-06621	Gearbox Gasket	1
6	HHXA-V-06602	Idler Gear	1
7	HHXA-V-07085	Idler Gear Shaft	1
8	HHXB-BAL-023-01	Ball	1
9	HHXB-SPG-020-02	Spring	1
10	HHXA-V-06604-1	Shifter Gear	1
11	HHXA-CRP-V-06633	Pin 1/4" x 1 7/16"	1
12	HHXB-21-S-218-1500	Spring Pin, 3/16" x 1 1/4"	1
13	HHXA-V-06606	Spur Gear	1
14	HHXA-V-06603	Step Gear	1
15	HHXA-CRP-V-06634	Pin 3/8" x 1 1/2"	1



LANDING GEAR

Holland Mark V Model Parts List – New Design After May 1994

Item No.	Stoughton Number	Description	2-Speed Side	Single Speed Side
16	HHXA-V-1910	Cross Shaft (specify frame width, mounting style, l.g. model no.)		1
17	HHXB-V-444-1	HHCS, 3/8"-16 x 1 3/4"	1	1
18	HHXB-338	Locknut, 3/8"-16	2	1
19	HHXA-V-06623-A	Bevel Gear Shaft (single-speed)		1
20	HHXB-06372	Thread Rolling Screw	2	2
21	HHXA-V-06611	Upper Leg Cover	1	1
22	HHXB-V-07054	Gasket	1	1
23	HHXB-GP-38-1-12E	Groove Pin	1	1
24	HHXA-V-06600	Bevel Pinion Gear	1	1
25	HHXB-01977	Shim (as required)	2	2
26	HHXA-V-06601	Bevel Gear	1	1
27	HHXA-V-06628-010-1 thru -515-1	Inner Leg and Screw Assembly (01 series)	1	1
28	HHXA-V-06628-020-2 thru -514-2	Inner Leg and Screw Assembly (14 series)	1	1
29	HHXA-V-06628-000-0 thru -505-0	Inner Leg and Screw Assembly (05, 13, or 15 series)	1	1
30	HHXA-CRP-V-06635	Pin, 3/8" x 2"	1	1
31	HHXB-V-06632	Washer	1	1
32	HHXB-V-06630	Bushing	1	1
33	HHXB-V-647	Thrust Bearing	1	1
34	HHXA-V-06629	Collar	1	1
35	HHXA-V-07133-0 thru -5	2-Speed Upper Leg	1	
36	HHXA-V-07132-0 thru -5	Single Speed Upper Leg		1
37	HHXB-V-747	Wheel	2	2
38A	HHXA-V-796-B-1	Skid Foot, 4 7/8" x 12" x 11 1/2" (05 series)	1	1
38B	HHXA-V-796-L	Low Profile Skid Foot, 2 1/2" x 12" x 11 1/2" (13 series)	1	1
38C	HHXA-V-796-WS	Weight Saver Skid Foot, 3" x 10" x 11 1/2" (15 series)	1	1
39A	HHXA-V-1901-1	Standard Axle	1	1
39B	HHXA-V-1903-1	Solid Axle	1	1
40	HHXA-V-1901-2	Axle (03 series)	1	1
41	HHXB-21S-3753000	Rollpin, 3/8" x 3"	2	2
42	HHXA-04681	Cushion Skid Foot (14 series)	1	1
43	HHXB-04676	Rubber Cushion	1	1
44	HHXA-V-1938	Brace Lug	1	1
45	HHXA-LG0559	Bearing	1	2
46	HHXB-LG1570	Retainer	1	2
47	HHXB-767	Lube Fitting	3	2
48	HHXB-01789	Plastic Plug	1	1
49	HHXA-V-1914	Crank Hanger	1	
50	HHXB-C-38-C-214	HHCS, 3/8"-16 x 2 1/4"	1	
51	HHXB-1108	SAE 3/8" Washer	2	
52A	HHXA-V-90-0	Crank	1	
52B	HHXA-V-90-2	Extra Long Crank (optional)	1	
53	HHXA-V-971	Crankshaft Bracket (optional)	1	
54	HHXB-V-1915	Crank Hanger (optional)	1	
55	HHXA-V-1916	Extension Shaft - Long (optional)	1	
55	HHXA-V-1916-1	Extension Shaft - Short (optional)	1	
56	HHXA-V-630-2	Crankshaft Coupling (optional)	1	
57	HHXB-V-444-1	HHCS, 3/8"-16 x 1 3/4"	2	
58	HHXB-338	Locknut, HHCS, 3/8"-16 (optional)	2	
59	HHXB-GP-38-138-5	Groove Pin, 3/8" x 1 3/8"	2	
60	HHXB-3103	Locknut, 1/4"- 28 (optional)	3	
61	HHXB-07618	HHCS, 1/4"-28 x 2 1/2"	3	
62	HHXA-V-07601-1	Extension Bracket - Long (optional)	1	
63	HHXA-V-07601-2	Extension Bracket - Short (optional)	1	

Holland Landing Gear Ordering Information

Step 1 – Model Number

Description	Model
* L.G. Set	LGS
1 Speed Side	XA-S9
2 Speed Side	XA-S8

Step 2 – Select Travel and Mounting

Travel	Code
12.5"	0
13.5"	1
15.0"	2
16.5"	3
17.6"	4
18.7"	5

Mounting	Code
Universal	A
Inside	B
Outside	C
**Outside	D

Step 2 – Select Axle and Footware

Axel Type	Code
No Axle	0

Footware	Code	Dimensions
Self Leveler	01	12" Diameter

Axel Type	Code
Standard Pipe	1
Heavy Pipe	2
Solid	3

Footware	Code	Dimensions
Wheeled	03	9" Diameter
Std. Skid Foot	05	4.9" x 12" x 11.5"
Large Skid Foot	08	5.0" x 14" x 19"
Wheel & Skid Foot	09	3.8" x 16" x 11.5"
No Footware	10	
Low Profile Skid Foot	13	2.5" x 12" x 11.5"
Cushioned Foot	14	2.4" x 10" x 11.5"
Weight Saver Skid Foot	15	3.8" x 10" x 11.5"

* Landing gear set includes: cross shaft **XA-S-1910**, crank **XA-S-90-0**, crank hanger **XA-S-1914**, brace ears (2 req.) **XA-S-1938**, cross shaft and crank hardware.

** With extra long drive shafts, 4.5" on both single and 2-speed legs compared to standard 1.75" on 2-speed and 2.5" on single speed.

Order Example

Step 1

Model Number

LGS

Step 2

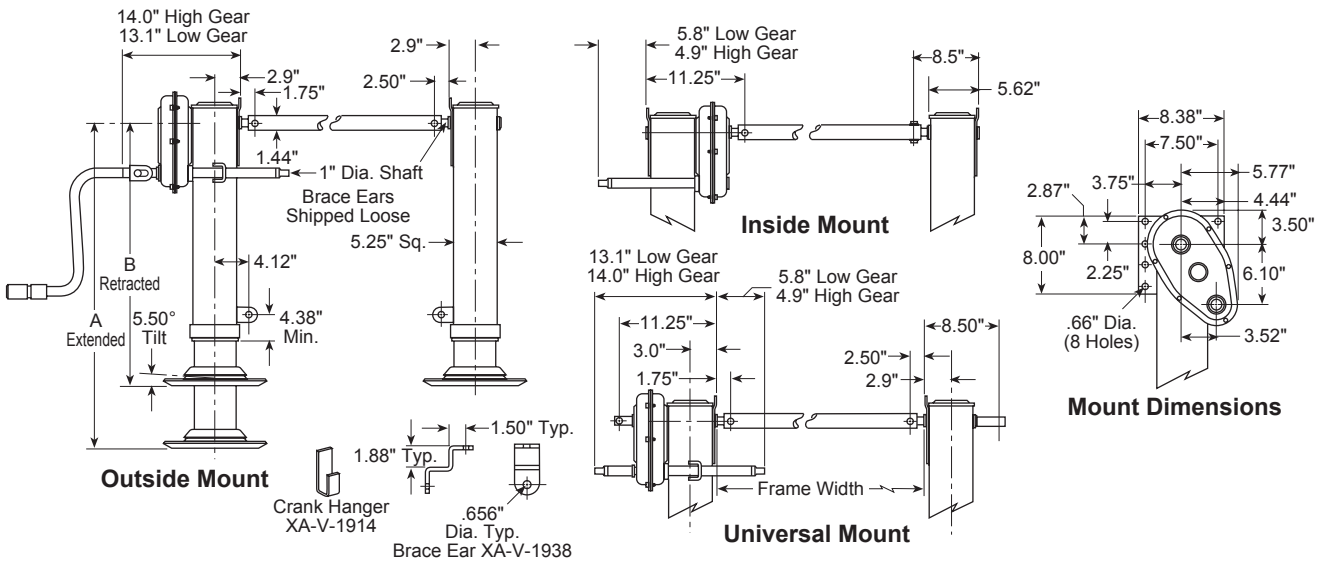
Travel Code + Mounting Code

3A

Step 3

Axle Type + Footware Code

105



Landing Gear Dimensions

Travel	Self-Leveler		Standard Skid		Low Profile		Weight Saver Skid*		Cushioned Skid**	
	A	B	A	B	A	B	A	B	A	B
12.5"	37.0"	24.5"	37.8"	28.4"	35.4"	26.0"	36.7"	27.3"	36.2"	24.7"
13.5"	41.8"	28.3"	42.6"	29.1"	40.2"	26.7"	41.5"	28.0"	42.2"	28.7"
15.0"	44.8"	29.8"	45.6"	30.6"	43.2"	28.2"	44.5"	29.5"	45.2"	30.2"
16.5"	47.8"	31.3"	48.6"	32.1"	46.2"	29.7"	47.5"	31.0"	48.2"	31.7"
17.6"	50.0"	32.4"	50.8"	33.2"	48.4"	30.8"	49.7"	32.1"	50.4"	32.8"
18.7"	52.3"	33.6"	53.1"	34.4"	50.7"	32.0"	52.0"	33.3"	52.7"	34.0"

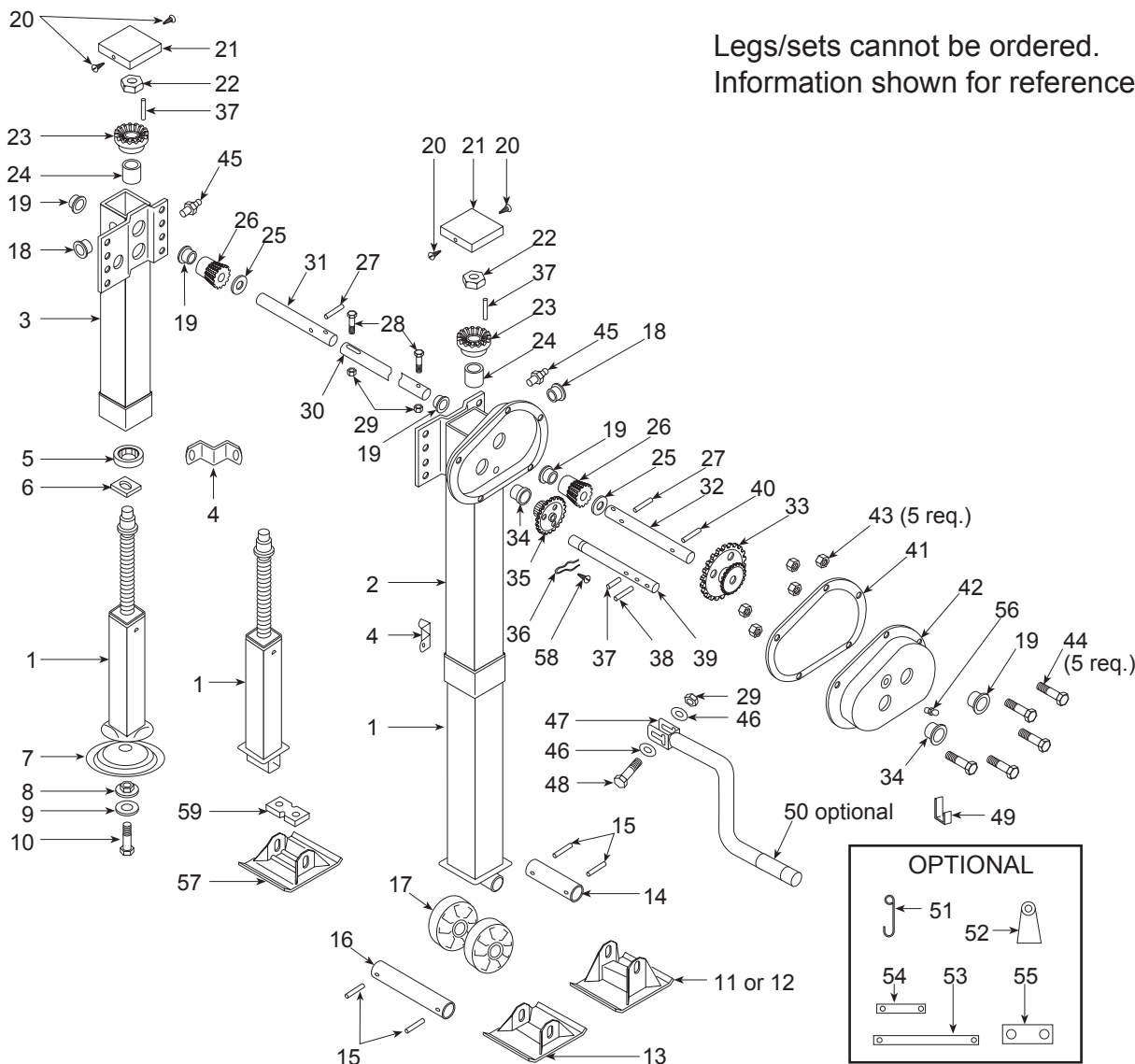
* Travel code "0" is 9.4"

** Travel code "0" is 11.5"

LANDING GEAR

Holland Olympix 135 Model

Legs/sets cannot be ordered.
Information shown for reference only.



Parts List Chart A

Item No.	Stoughton Number	Description
1	HHXA-01787-2	Inner Leg & Screw Assy, 16" Travel Self-leveler Axle Type 4 1/2" Skid Foot 1 3/4" Skid Foot 2 3/8" Skid Foot
	HHXA-01976-1	
	HHXA-01976-1	
	HHXA-01976-1	
	HHXA-04745-1	
	HHXA-01787-3	Inner Leg & Screw Assy, 18 1/2" Travel Self-leveler Axle Type 4 1/2" Skid Foot 1 3/4" Skid Foot 2 3/8" Skid Foot
	HHXA-01976-4	
	HHXA-01976-4	
	HHXA-01976-4	
	HHXA-04745-2	

Parts List Chart B

Item No.	Stoughton Number	Description
31	HHXA-01970-1	Single Speed Drive Shaft Universal Mount Inside Mount Outside Mount Outside Mount, Extra-long
	HHXA-02654-1	
	HHXA-01765-1	
	HHXA-02662-1	
32	HHXA-01971-1	2-Speed Drive Shaft Universal Mount Inside Mount Outside Mount Outside Mount, Extra-long
	HHXA-01966-1	
	HHXA-01764-1	
	HHXA-02660-1	
39	HHXA-01972-2	Crank Shaft Universal Mount Inside Mount Outside Mount Outside Mount, Extra-long
	HHXA-01967-1	
	HHXA-01763-2	
	HHXA-01763-2	



LANDING GEAR

Holland Olympix 135 Model Parts List

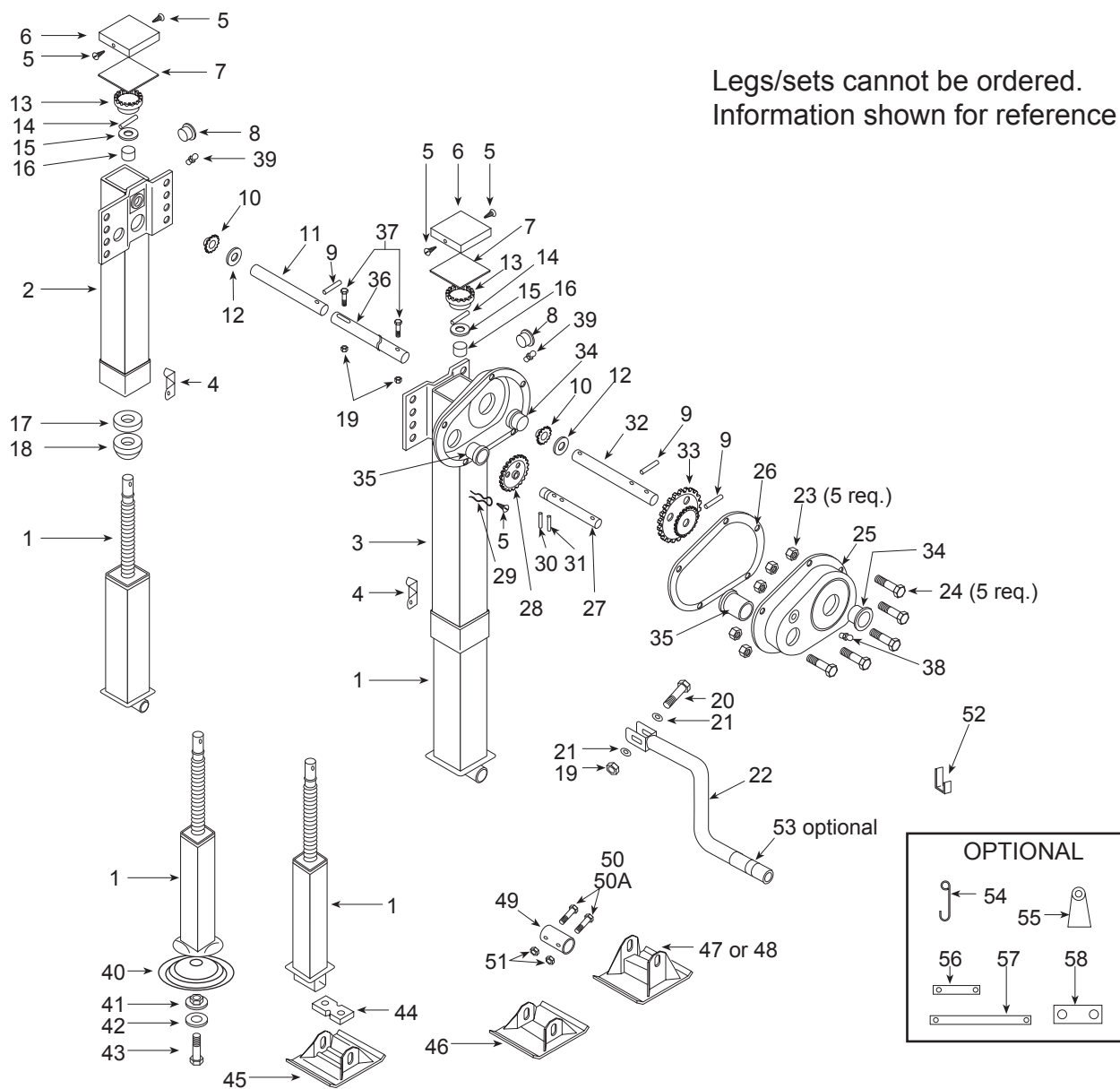
Item No.	Stoughton Number	Description	Quantity
1	See Chart A	Inner Leg and Screw Assembly	2
2	HHXA-04171-1	2-Speed Outer Leg, Inside Mount, 16" Travel	1
	HHXA-04171-2	2-Speed Outer Leg, Inside Mount, 18 1/2" Travel	1
3	HHXA-04170-1	Single Speed Outer Leg, Inside Mount, 16" Travel	1
	HHXA-04170-2	Single Speed Outer Leg, Inside Mount, 18 1/2" Travel	1
4	BKLG0266	Brace Ear	2
5	HHXB-V-647	Thrust Bearing	2
6	HHXA-V-1913	Thrust Washer	2
7	HHXA-02709	Self Leveling Foot	2*
8	HHXA-01774	Pivot Guide	2*
9	HHXB-T-45-1	1/2" Lock Washer	2*
10	HHXB-01987	1/2"-13 x 1 3/4" HHCS	2*
11	HHXA-03337	Skid Foot (4 1/2" high) Light Duty	2*
12	HHXA-02689	Skid Foot (4 1/2" high) Standard Duty	2*
13	HHXA-02691	Skid Foot (1 3/4" high)	2*
14	HHXA-V-1901-1	Axle (skid foot models)	2*
15	HHXB-21S-3753000	Roll Pin 5/8" x 3"	4*
16	HHXA-V-1901-2	Axle (wheel models)	2
17	HHXB-V-747	Wheel (3 1/2" x 9")	2
18	HHXB-01789	Access Plug	2
19	HHXB-0307-PM	Bearing (1" Diameter)	5
20	HHXB-03372	Self Tapping Screw	4
21	HHXB-01762	Upper Leg Cover	2
22	HHXB-FW-25	Jam Locknut 1"-14	2
23	HHXA-02059	Bevel Gear	2
24	HHXB-01744	Bushing	2
25	HHXB-01977	Shims	
26	HHXA-0298	Bevel Pinion	2
27	HHXB-GP-38-1-14A	Groove Pin	2
28	HHXB-V-444-1	3/8"-16 x 1 1/4" HHCS	2
29	HHXB-338	3/8"-16 Locknut	3
30	HHXA-V-1910	Cross Shaft	1
31	See Chart B	Single Speed Drive Shaft	1
32	See Chart B	2-Speed Drive Shaft	1
33	HHLG1823-01	Drive Cluster Gear (1" bore)	1
34	HHXB-0308-PM	Bearing (7/8" diameter)	2
35	HHXA-0306-1	Drive Cluster Gear (7/8" bore)	1
36	HHXB-03370-1	Shifter Spring	1
37	HHXB-21S187-1000	Roll Pin 3/16" x 1"	1
38	HHXA-01792	Pin	1
39	See Chart B	Crank Shaft	1
40	HHXB-02065	Groove Pin	1
41	HHXB-01791	Gear Box Cover Gasket	1
42	HHXA-03921-1	Gear Box Cover	1
43	HHXB-3103	1/4"-28 Locknut	5
44	HHXB-CX14-18F-58	1/4"-28 x 5/8" HHCS	5
45	HHXA-H-38	Grease Fitting	2
46	HHXB-1108	3/8" Flat Washer	1
47	HHXA-01918	Tubular Crank Handle Assembly	1
48	HHXB-02157	3/8"-16 x 2 1/2" HHCS	1
49	HHXA-V-1914	Crank Holder	1
50	HHXA-01918-1	Extra Long Crank (optional)	1
51	HHXB-V-1915	Crank Hanger (optional)	1
52	HHXA-02195	Extension Bracket (optional)	1
53	HHXA-02198-1	Long Extension Shaft (optional)	1
54	HHXA-02198-2	Short Extension Shaft (optional)	1
55	HHXA-02197	Coupling (optional)	1
56	HHXB-04113	Lube Fitting	1
57	HHXA-04681	2 3/8" Cushion Foot	2*
58	HHXB-04112	Self Tapping Screw	1
59	HHXB-04676	Cushion Pad	2*

* If applicable

LANDING GEAR

Holland Formula 150 Model

Legs/sets cannot be ordered.
Information shown for reference only.



Parts List Chart A

Item No.	Stoughton Number	Description
1	HHXA-01787-2	Inner Leg & Screw Assy, 16" Travel Self-leveler Axle Type 4 1/2" Skid Foot 1 3/4" Skid Foot 2 3/8" Skid Foot
	HHXA-01976-1	
	HHXA-01976-1	
	HHXA-01976-1	
	HHXA-04745-1	
	HHXA-01787-3	Inner Leg & Screw Assy, 18 1/2" Travel Self-leveler Axle Type 4 1/2" Skid Foot 1 3/4" Skid Foot 2 3/8" Skid Foot
	HHXA-01976-4	
	HHXA-01976-4	
	HHXA-01976-4	
	HHXA-04745-2	

Parts List Chart B

Item No.	Stoughton Number	Description
31	HHXA-01970-1	Single Speed Drive Shaft Universal Mount Inside Mount Outside Mount Outside Mount, Extra-long
	HHXA-02654-1	
	HHXA-01765-1	
	HHXA-02662-1	
32	HHXA-01971-1	2-Speed Drive Shaft Universal Mount Inside Mount Outside Mount Outside Mount, Extra-long
	HHXA-01966-1	
	HHXA-01764-1	
	HHXA-02660-1	
39	HHXA-01972-2	Crank Shaft Universal Mount Inside Mount Outside Mount Outside Mount, Extra-long
	HHXA-01967-1	
	HHXA-01763-2	
	HHXA-01763-2	



LANDING GEAR

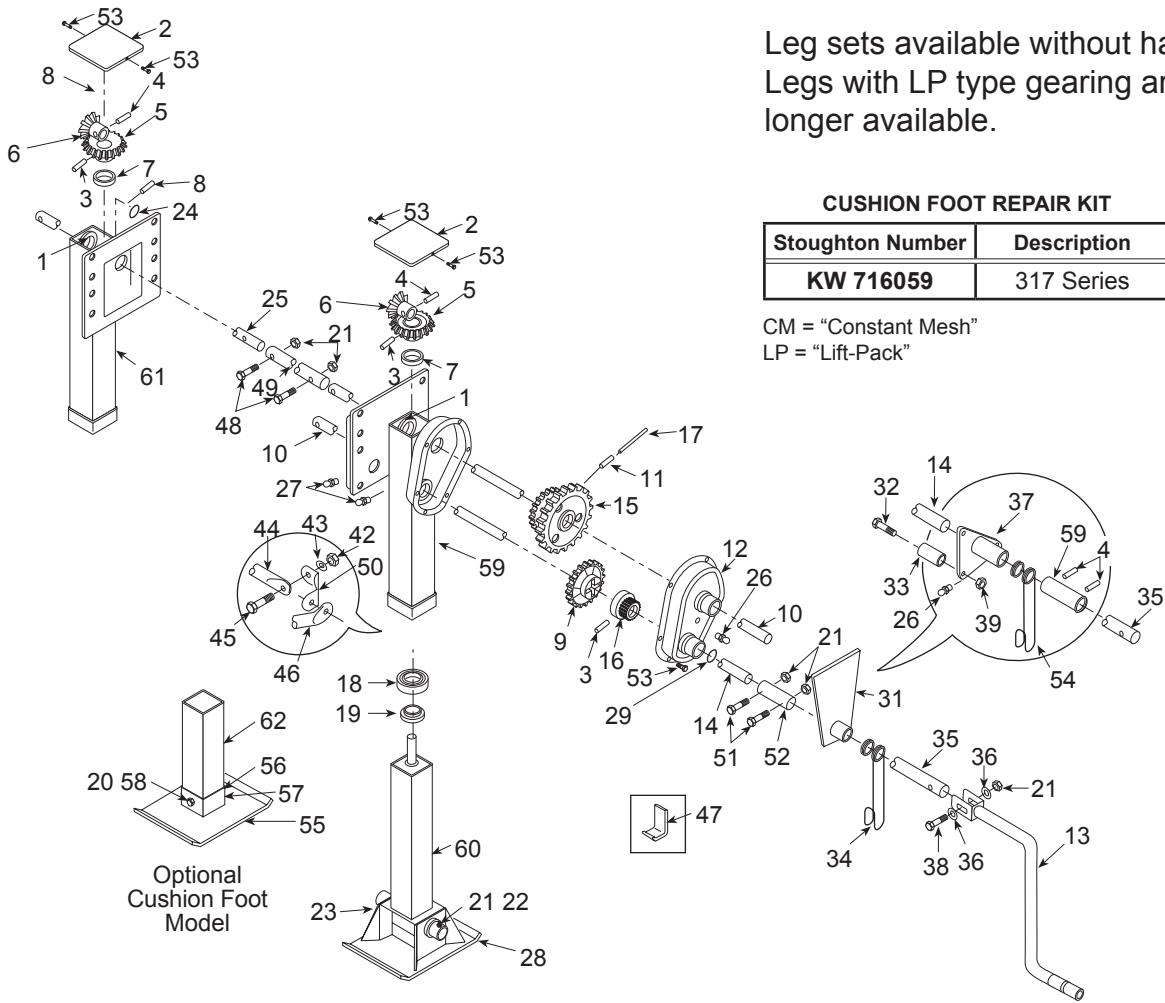
Holland Formula 150 Model Parts List

Item No.	Stoughton Number	Description	Quantity
1	See Chart A	Inner Leg and Screw Assembly	2
2	HHXA-04170-1	Single Speed Outer Leg, Inside Mount, 16" Travel	1
3	HHXA-04170-2	Single Speed Outer Leg, Inside Mount, 18 1/2" Travel	1
	HHXA-04171-1	2-Speed Outer Leg, Inside Mount, 16" Travel	1
	HHXA-04171-2	2-Speed Outer Leg, Inside Mount, 18 1/2" Travel	1
4	BKLG0266	Brace Ear	2
5	HHXB-04112	Self Tapping Screws	5
6	HHXA-LG0880	Upper Leg Cover	2
7	HHXB-06219	Leg Cover Gasket	2
8	HHXB-01789	Access Plug	2
9	HHXB-02065	3/8" x 1 1/2" Groove Pin	3
10	HHXB-06217	Bevel Pinion Gear	2
11	See Chart B	Single Speed Drive Shaft	1
12	HHXB-01977	Shims	
13	HHXA-LG0570	Bevel Gear	2
14	HHXB-GP-38-2-E	3/8" x 2" Groove Pin	2
15	HHXB-PW-1916-218	Washer	2
16	HHXB-01744-1	Bushing	2
17	HHXB-V-647-2	Thrust Bearing	2
18	HHXB-LG0544	Collar	2
19	HHXB-338	3/8"-16 Locknut	3
20	HHXB-02157	3/8"-16 x 2 1/2" Hex Head Bolt	1
21	HHXB-1108	3/8" Flat Washer	2
22	HHXA-01918	Crank Handle Assembly	1
23	HHXB-3103	1/4"-28 Locknut	5
24	HHXB-CX14-28F-58	1/4"-28 x 5/8" Hex Head Bolt	5
25	HHXA-06224-A	Gear Box Cover	1
26	HHXB-01791	Gear Box Cover Gasket	1
27	See Chart B	Crank Shaft	1
28	HHXA-0306-1	Drive Cluster Gear (7/8" bore)	1
29	HHXB-03370-1	Shifter Spring	1
30	HHXB-21S187-1000	Roll Pin 3/16" x 1"	1
31	HHXA-01792	Pin	1
32	See Chart B	2-Speed Drive Shaft	1
33	HHLG2191-01	Drive Cluster Gear (1" bore)	1
34	HHXB-0307-PM	Bearing (1" diameter)	2
35	HHXB-0308-PM	Bearing (7/8" diameter)	2
36	HHXA-V-1910	Cross Shaft	1
37	HHXB-V-444-1	3/8"-16 x 1 3/4" Hex Head Bolt	2
38	HHXB-04133	Lube Fitting	1
39	HHXB-767	Lube Fitting	2
40	HHXA-02709	Self Leveling Foot	2*
41	HHXA-01774	Pivot Guide	2*
42	HHXB-T-45-1	1/2" Lock Washer	2*
43	HHXB-01987	1/2"-13 x 1 3/4" Hex Head Bolt	2*
44	HHXB-04676	Cushion Pad	2*
45	HHXA-04681	2 3/8" Cushion Foot	2*
46	HHXA-02691	Skid Foot (1 3/4" high)	2*
47	HHXA-03337	Skid Foot (4 1/2" high) Light Duty	2*
48	HHXA-02689	Skid Foot (4 1/2" high) Standard Duty	2*
49	HHXA-V-1901-1	Axle	2*
50		3/8"-16 x 3/4" Hex Head Bolt	4
50A		3/8"-16 x 2 1/2" Hex Head Bolt	4
51		3/8"-16 Hex Nut	4
52	HHXA-V-1914	Crank Holder	1
53	HHXA-01918-1	Extra Long Crank (optional)	1
54	HHXB-V-1915	Crank Hanger	1
55	HHXA-02195	Extension Bracket (optional)	1
56	HHXA-02198-2	Short Extension Shaft (optional)	1
57	HHXA-02198-1	Long Extension Shaft (optional)	1
58	HHXA-02197	Coupling	1

* If applicable

LANDING GEAR

Kysor/Westran Model CMS (Square Leg)



Leg sets available without hardware.
Legs with LP type gearing are no longer available.

CUSHION FOOT REPAIR KIT

Stoughton Number	Description
KW 716059	317 Series

CM = "Constant Mesh"
LP = "Lift-Pack"

CONSTANT MESH SQUARE WITH STANDARD SAND SHOE

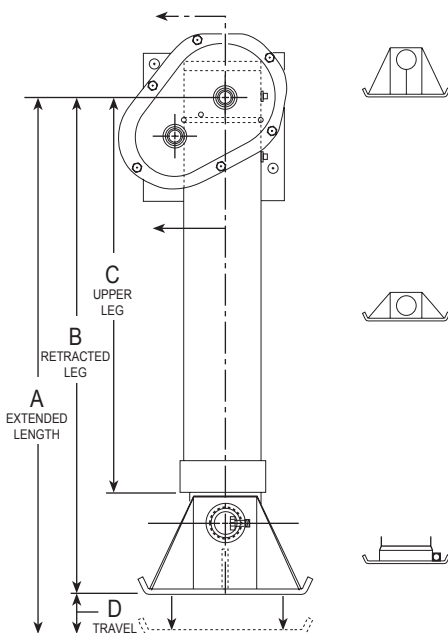
Stoughton Number	Dimensions				Austin Set Number
	A	B	C	D	
KWCMS 2-10-102-444	42.87	28.75	22.75	14.12	785077
KWCMS 2-30-102-444	48.37	31.50	25.50	16.87	785078
KWCMS 2-50-102-444	52.87	33.75	27.75	19.12	785079

CONSTANT MESH SQUARE WITH LOW PROFILE SAND SHOE

Stoughton Number	Dimensions				Austin Set Number
	A	B	C	D	
KWCMS 2-10-102-400	40.37	26.25	22.75	14.12	785080
KWCMS 2-30-102-400	45.87	29.00	25.50	16.87	785100
KWCMS 2-50-102-400	50.37	31.25	27.75	19.12	785082

CONSTANT MESH SQUARE WITH 10" REMOVABLE CUSHION FOOT

Stoughton Number	Dimensions				Austin Set Number
	A	B	C	D	
KWCMS 2-10-102-316	.12	29.00	25.50	14.12	785083
KWCMS 2-30-102-316	48.62	31.75	28.31	16.87	785084
KWCMS 2-50-102-316	53.12	34.00	30.56	19.12	785085
KWCMS-2-33-317	48.62	31.75	28.31	16.87	-





LANDING GEAR

Kysor/Westran Model CMS (Square Leg) Parts List

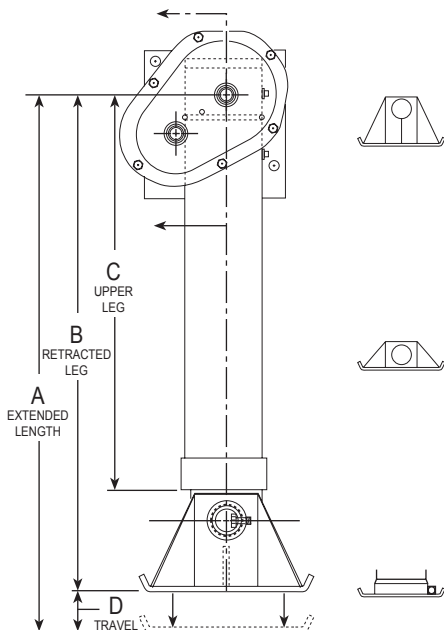
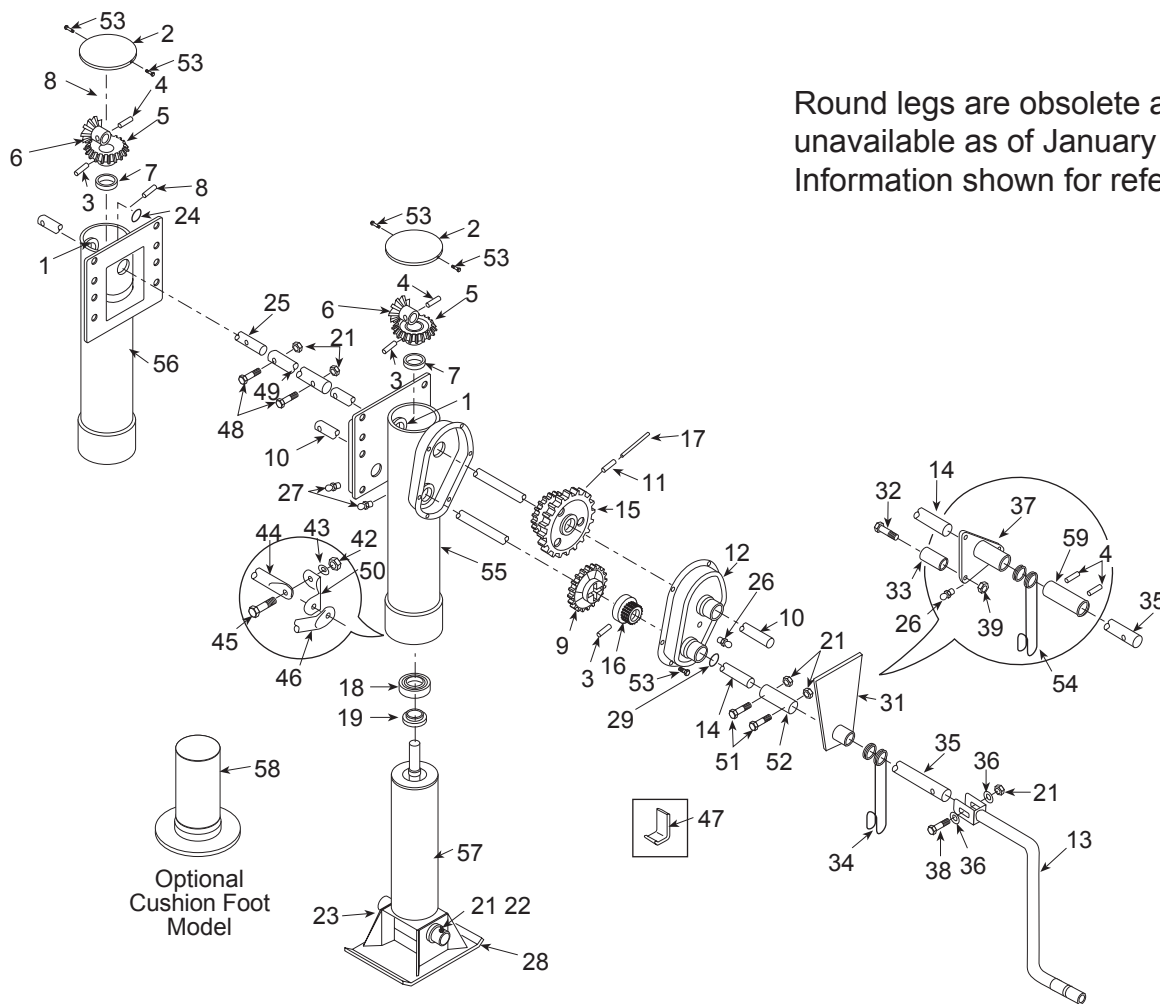
Item No.	Stoughton Number	Description	Quantity
1	KW724037	Bushing	3
2	KW751569	Cover	2
3	KW725046	Groove Pin 5/16" x 1 1/2"	3
4	KW725002	Roll Pin 3/8" x 1 3/8"	4
5	KW730590	Bevel Gear 28T	2
6	KW730011	Pinion-Bevel 14T	2
7	KW722017	Bushing Screw	2
8	KW725001	Roll Pin 1/4" x 1 1/4"	1
9	KW751174	Gear, High Speed	1
10	KW750002	Shaft Pinion	1
11	KW725003	Roll Pin 3/8" x 1 1/2"	1
12	KW741158	Cover Assembly	1
13	KW730113	Crank	1
14	KW750003	Shaft-Crank	1
	KW750238	Shaft Plated for Permanent Lube	1
15	KWJ-5309	Gear Set, Rigid 26/51T	1
16	KW751173	Gear, Low Speed	1
17	KW729002	Spring Clip	1
18	KW729005	Bearing T127	2
19	KW730007	Collar	2
20	KW203878	Nut, Lock 5/8"-11 (Optional)	2
21	KW203514	Nut, Lock 3/8"-16	5
22	KW201226	Bolt 3/8"-16 x 3/4"	2
23	KW750005	Axle – For Sand Shoes	2
24	KW722000	Washer	1
25	TC905700-602	Shaft (Pinion)	1
26	KW727001	Grease Fitting	1
27	KW727000	Grease Fitting	4
28	KW730143	Sand Shoe	2
29	KW728000	Seal	1
30	KW730152	Crankshaft Bracket Assembly (F.W. Under 54)	1
31	KW727002	Grease Fitting	1
32	KW201031	Bolt 1/4"-20 x 2 1/4"	3
33	KW724010	Spacer	3
34	KW730122	Crank Holder	1
35	KW750212	Shaft-Crank-Extension	1
36	KW202403	Washer 3/8" Plain Heavy	2
37	KW716007	Crank Bracket Assembly	1
	KW716008	Crank Bracket Assembly	1
38	KW201209	Bolt – Hex Head 3/8"-16 x 2 3/4"	1
39	KW203305	Locknut 1/4"-20	3
42	KW203878	Hex Nut 5/8"-11	8
43	KW202745	Washer	8
44	KWJ-7043-A-B	Brace Tube (Cross)	2
45	KW721009	Bolt – Hex Head 5/8"-11 x 2"	8
46	KWJ-7043-A-B	Brace Tube (Back)	2
47	KW750812	Crank Holder	1
48	KW201208	Bolt – Hex Head 3/8"-16 x 2 1/2"	2
49	KW6883	Intermediate Shaft ("A" Mount)	1
	KW6884	Intermediate Shaft ("B" Mount)	1
50	KW730157	Brace Ear	2
51	KW201218	Bolt – Hex Head 3/8"-16 x 1 3/4"	2
52	KW730092	Coupling	1
53	KW201060	Screw – Hex Washer Head 1/4"-20 x 1/2"	10
54	KW730166	Crank Holder	1
55	KW728003	Weldment, Cushion Foot (Optional)	2
56	KW730638	End Plate (Optional)	2
57	KW730640	Shock Pad (Optional)	2
58	KW201702	Bolt 5/8"-11 x 6" (Optional)	2
59	KW751566	Upper Leg (2 Speed Square) 25-7/16" Length	1
60	KW742111	Lower Leg Assy. (Square) Std. Lube for Axle Foot Group	1
61	KW751564	Upper Leg (1 Speed Square) 22-1/16" Length	2
62	KW742139	Lower Leg Assy. – Std. Lube for Cushion Foot (Rem)	2

Note: Numbers may change or become obsolete without notice. Kysor/Westran (Austin) rights now property of SAF Holland.

LANDING GEAR

Kysor/Westran Model CMR (Round Leg)

Round legs are obsolete and unavailable as of January 1, 2009. Information shown for reference only.



ROUND WITH STANDARD SAND SHOE

Stoughton Number	Dimensions				Set Number
	A	B	C	D	
KWLPR 2-10-102-444	42.87	28.75	22.75	14.12	795091
KWLPR 2-30-102-444	48.37	31.50	25.50	16.87	795118
KWLPR 2-50-102-444	52.87	33.75	27.75	19.12	795132

ROUND WITH LOW PROFILE SAND SHOE

Stoughton Number	Dimensions				Set Number
	A	B	C	D	
KWLPR 2-10-102-400	40.37	26.25	22.75	14.12	795135
KWLPR 2-30-102-400	45.87	29.00	25.50	16.87	795095
KWLPR 2-50-102-400	50.37	31.25	27.75	19.12	795096

ROUND WITH 10" REMOVABLE CUSHION FOOT

Stoughton Number	Dimensions				Set Number
	A	B	C	D	
KWLPR 2-10-102-305	42.69	28.56	26.25	14.12	795097
KWLPR 2-30-102-305	48.19	31.31	29.00	16.87	795098
KWLPR 2-50-102-305	52.56	33.44	31.25	19.12	795099



LANDING GEAR

Kysor/Westran Model CMR (Round Leg) Parts List

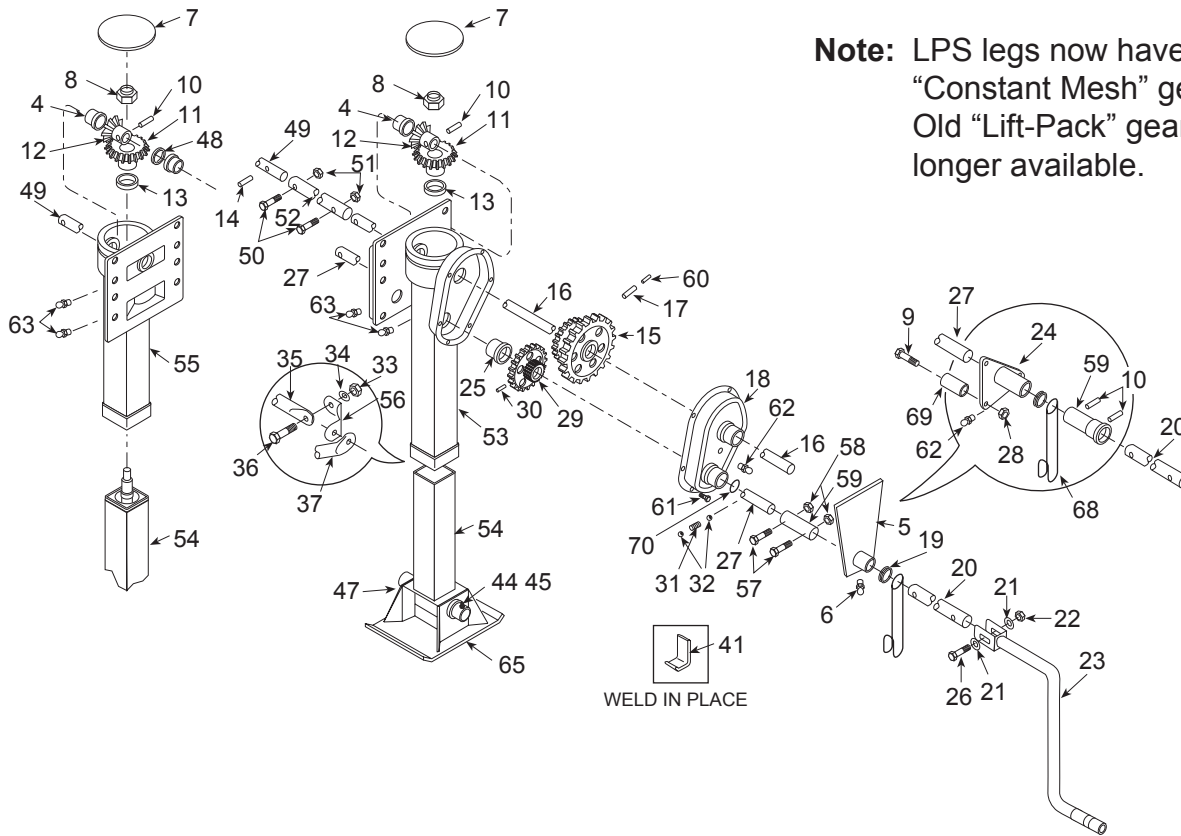
Item No.	Stoughton Number	Description	Quantity
1	KW724036	Bushing	3
2	KW751601	Cover	2
3	KW725046	Groove Pin 5/16" x 1 1/2"	3
4	KW725002	Roll Pin 3/8" x 1 3/8"	4
5	KW730590	Bevel Gear 28T	2
6	KW730011	Pinion-Bevel 14T	2
7	KW722017	Washer	2
8	KW725001	Roll Pin 1/4" x 1 1/4"	1
9	KW751174	Gear, High Speed	1
10	KW750002	Shaft Pinion	1
11	KW725003	Roll Pin 3/8" x 1 1/2"	1
12	KW751601	Cover Assembly – Pre 1996	1
	KW8984	Cover Assembly - After 1996	1
13	KW730113	Crank	1
14	KW751175	Shaft-Crank	1
	KW751226	Shaft Plated for Permanent Lube	1
15	KWJ-5309	Gear Set, Rigid 26/51T	1
16	KW751173	Gear, Low Speed	1
17	KW729002	Spring Clip	1
18	KW729005	Bearing T127	2
	KW729016	Bearing T151 for H/D Applications	2
19	KW730007	Collar	2
	KW730215	Collar for H/D Applications	2
21	KW203514	Nut, Lock 3/8"-16	7
22	KW201226	Bolt 3/8"-16 x 3/4"	2
23	KW730005	Axle - For Sand Shoes	2
24	KW722000	Washer	1
25	TC905700-602	Shaft (Pinion)	1
26	KW727001	Grease Fitting	1
27	KW727000	Grease Fitting	4
28	KW730143	Sand Shoe	2
29	KW728000	Seal	1
30	KW730152	Crankshaft Bracket Assembly (F.W. Under 54)	1
31	KW727002	Grease Fitting	1
32	KW201031	Bolt 1/4"-20 x 2 1/4"	3
33	KW724010	Spacer	3
34	KW730122	Crank Holder	1
35	KW750212	Shaft-Crank – Extension	1
36	KW202403	Washer 3/8" Plain Heavy	2
37	KW716007	Crank Bracket Assembly	1
	KW716008	Crank Bracket Assembly	1
38	KW201209	Bolt – Hex Head 3/8"-16 x 2 3/4"	1
39	KW203305	Locknut 1/4"-20	3
42	KW203878	Hex Nut 5/8"-11	8
43	KW202745	Washer	8
44	KWJ-7043-A-B	Brace Tube (Cross)	2
45	KW721009	Bolt – Hex Head 5/8"-11 x 2"	8
46	KWJ-7043-A-B	Brace Tube (Back)	2
47	KW750812	Crank Holder	1
48	KW201208	Bolt – Hex Head 3/8"-16 x 2 1/2"	2
49	KW6883	Intermediate Shaft ("A" Mount)	1
50	KW6884	Intermediate Shaft ("B" Mount)	1
	KW730005	Brace Ear (For Round Leg)	2
	KW730157	Brace Ear (For Square Leg Not Shown)	2
51	KW201218	Bolt – Hex Head 3/8"-16 x 1 3/4"	2
52	KW730092	Coupling	1
53	KW201060	Screw – Hex Washer Head 1/4"-20 x 1/2"	10
54	KW730166	Crank Holder	1
55	KW751562	Upper Leg Weldment (2 Speed) 25-7/16" Length (-3)	1
56	KW751560	Upper Leg Weldment (1 Speed) 26-7/16" Length (-3)	1
57	KW742110	Lower Leg Assembly (Round) (-3)	2
58	KW742126	Lower Leg Assembly – With Cushion Foot (Std. Lube) (-3)	2

Note: Numbers may change or become obsolete without notice.

LANDING GEAR

Kysor/Westran Model LPS (Square Leg)

Note: LPS legs now have "Constant Mesh" gearing. Old "Lift-Pack" gearing no longer available.



HIGH PROFILE SAND SHOE

Stoughton Number	Description
KWLPS-2-30-444	Complete Set
KW18-30-444-102	Non-Gear Leg Only
KW8-30-444-102	Gearside Leg Only

Parts List Chart A

Item No.	Stoughton Number	Description	Quantity
53	KW9645-1 KW9645-3 KW9645-5	Upper Leg (2-Speed Square). Length: 22 1/16" Upper Leg (2-Speed Square). Length: 24 3/16" Upper Leg (2-Speed Square). Length: 27 1/16"	
54	KW9958-1 KW9958-3 KW9958-5	Lower Leg Assy. (Square). Std Lube for Axle Group Lower Leg Assy. (Square). Std Lube for Axle Group Lower Leg Assy. (Square). Std Lube for Axle Group	2
55	KW9021-1 KW9021-3 KW9021-5	Upper Leg (Single Speed Square). Length: 22 1/16" Upper Leg (Single Speed Square). Length: 24 3/16" Upper Leg (Single Speed Square). Length: 27 1/16"	
64	KW9966-1 KW9966-3 KW9966-5	Lower Leg Assy. - Std. Lube for Cushion Feet Lower Leg Assy. - Std. Lube for Cushion Feet Lower Leg Assy. - Std. Lube for Cushion Feet	



LANDING GEAR

Kysor/Westran Model LPS (Square Leg) Parts List

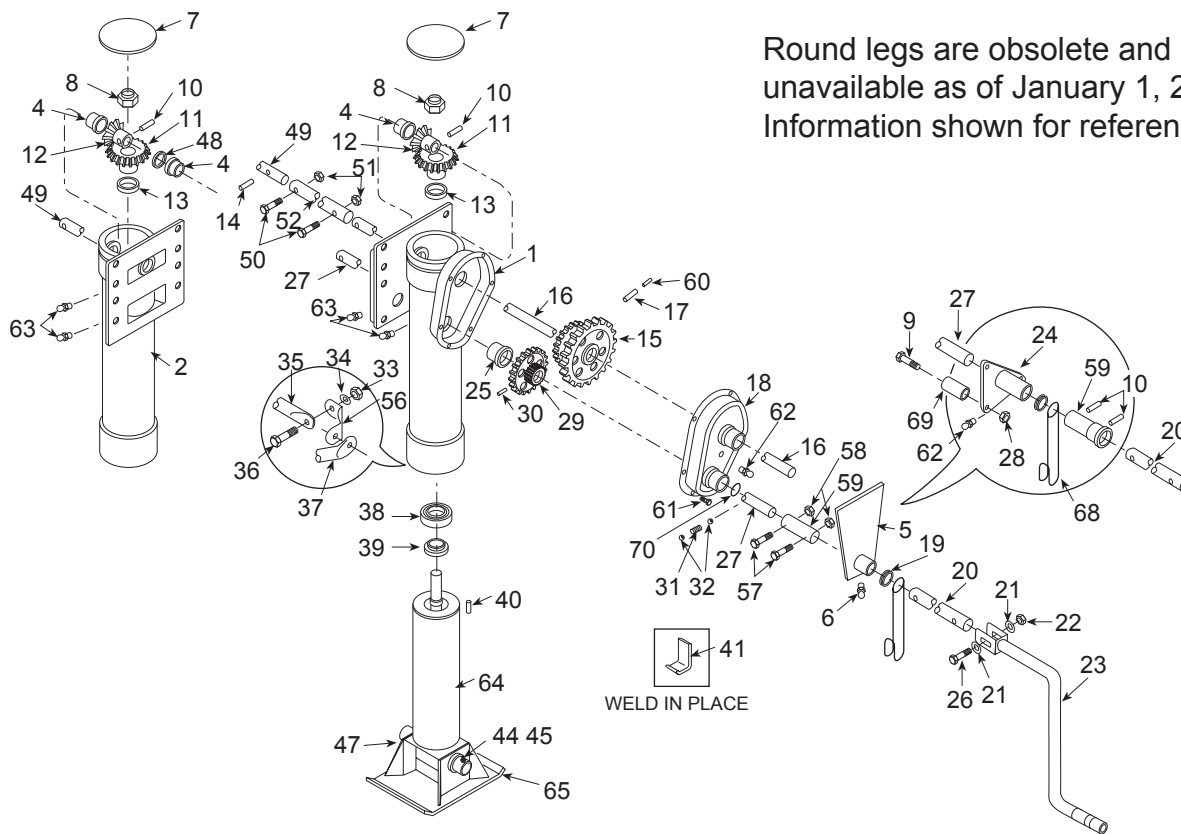
Item No.	Stoughton Number	Description	Quantity
4	KW8994	Bushing	3
5	KWJ-4702	Crankshaft Bracket Assembly F.W. under 54	1
6	KW1351-A1	Grease Fitting	1
7	KW8984	Cover	2
8	KW1402-A7	1"-14 Thin Locknut	2
9	KW1151-B99	1/4"-20 x 2 1/4" Bolt GR. 8	3
10	KW1453-A40	Roll Pin 1/4" x 1 1/4"	4
11	KWJ-5312-1	Bevel Gear 28T	2
12	KWJ-5311-1	Pinion Bevel 14 Tooth	2
13	KWJ-5313	Bushing Screw	2
14	KW1453-A1	Roll Pin 3/8" x 1 1/4"	1
15	KWJ-5309	Gear Set Rigid 26/51 T.	1
16	KW6948-1	Shaft Pinion	1
17	KW1453-A5	Roll Pin 3/8" x 1 1/2"	1
18	KW9366-3	Cover Assembly	1
19	KWJ-122-B	Crank Holder	1
20	KW8829-17	Shaft-Crank Extension	1
21	KW1751-A1	3/8" Plain Heavy Washer	2
22	KW1402-A-1	3/8"-16 Locknut	1
23	KWJ-27-BX-3	Crank	1
24	KW9374-1	Crank Bracket Assembly	1
25	KW6364-1	Bushing	1
26	KW1151-B81	3/8"-16 x 2 3/4" Hex Head Bolt	1
27	TC905700-601 KW6943-3	Shaft-Crank Shaft Plated for Groups 2 and 4 Lube	1
28	KW1402-A9	1/4"-20 Locknut	3
29	KWJ-5310-1	Gear Set 37/12 T	1
30	KW1453-A61	Roll Pin	1
31	KW6365-1	Spring-Detent	1
32	KW1051-A1	Ball-Detent	2
33	KW1401-A4	5/8"-11 Hex Nut	8
34	KW1752-A4	Washer	8
35	KWJ-7043-A-B	Brace Tube (Cross)	2
36	KW1151-B17	5/8"-11 x 2" Hex Head Bolt	8
37	KWJ-7043-A-B	Brace Tube (Back)	2
38	KW1102-A2	Bearing T127	2
39	KW1102-A9 KWJ-4928-1	Bearing T151 for H/D Application Collar	2
40	KWJ-5321 KWJ-3237	Collar for H/D Applications 1/4" x 13/16" Key	2
41	KWJ-7153	Crank Holder	1
42	KWJ-7324	Wheel (3 1/2" x 9")	4
44	KW1402-A1	3/8"-16 Locknut	2
45	KW1151-B36	3/8"-16 x 1" Bolt	2
46	KW9298-2	Axle (wheel models)	2
47	KW9298-1	Axle (sand shoe models)	2
48	KWJ-1219	Washer	1
49	KW6956-1	Shaft (Pinion)	1
50	KW1151-B4	3/8"-16 x 2 1/2" Hex Head Bolt	2
51	KW1402-A-1	3/8"-16 Locknut	2
52	KW6883	Intermediate Shaft ("A" Mount)	1
53	KW6884	Intermediate Shaft ("B" Mount)	1
54	See Chart A	Upper Leg (2-Speed Square)	1
55	See Chart A	Lower Leg Assembly (Square)	2
56	See Chart A	Upper Leg (Single Speed Square)	2
56	KWJ-4890	Brace Ear	2
57	KW1151-B1	3/8"-16 x 1 3/4" Hex Head Bolt	2
58	KW1402-A1	3/8"-16 Locknut	2
59	KWJ-3292	Coupling	1
60	KW1914-A1	Spring Clip	1
61	KW1655-A32	1/4"-20 x 1/2" Hex Head Washer Screw	6
62	KW1351-A3	Grease Fitting	1
63	KW1351-A7	Grease Fitting	4
64	See Chart A	Lower Leg Assembly – Std Lube for Cushion Foot	2
65	KWJ-4514-3	Sand Shoe	2
68	KW6866	Crank Holder	1
69	KW9375	Spacer	3
70	KW1904-A14	Seal	1

Note: Numbers may change or become obsolete without notice.

LANDING GEAR

Kysor/Westran Model LPR (Round Leg)

Round legs are obsolete and unavailable as of January 1, 2009. Information shown for reference only.



Parts List Chart A

Item No.	Stoughton Number	Description
1	KW9558-0	Upper Leg Weldment (2-Speed). Length: 21 7/16"
	KW9558-1	Upper Leg Weldment (2-Speed). Length: 22 11/16"
	KW9558-2	Upper Leg Weldment (2-Speed). Length: 23 13/16"
	KW9558-3	Upper Leg Weldment (Single Speed). Length: 25 7/16"
	KW9558-5	Upper Leg Weldment (Single Speed). Length: 27 11/16"
2	KW8999-0	Upper Leg Weldment (Single Speed). Length: 21 7/16"
	KW8999-1	Upper Leg Weldment (Single Speed). Length: 22 11/16"
	KW8999-2	Upper Leg Weldment (Single Speed). Length: 23 13/16"
	KW8999-3	Upper Leg Weldment (Single Speed). Length: 25 7/16"
	KW8999-5	Upper Leg Weldment (Single Speed). Length: 27 11/16"
3	KW6997-0	Lower Leg Assembly (round)
	KW6997-1	Lower Leg Assembly (round)
	KW6997-2	Lower Leg Assembly (round)
	KW6997-3	Lower Leg Assembly (round)
	KW6997-5	Lower Leg Assembly (round)
64	KW8897-0	Lower Leg Assy. – Std Lube with Cushion Foot
	KW8897-1	Lower Leg Assy. – Std Lube with Cushion Foot
	KW8897-2	Lower Leg Assy. – Std Lube with Cushion Foot
	KW8897-3	Lower Leg Assy. – Std Lube with Cushion Foot
	KW8897-5	Lower Leg Assy. – Std Lube with Cushion Foot

HIGH PROFILE SAND SHOE

Stoughton Number	Description
KWLPR-2-30-444	Complete Set
KW19-30-444-102	Non-Gear Leg Only
KW9-30-444-102	Gearside Leg Only

LOW PROFILE SAND SHOE

Stoughton Number	Description
KWLPR-2-30-400	Complete Set
KW19-30-400-102	Non-Gear Leg Only
KW9-30-400-102	Gearside Leg Only
KWLPR-2-53-400	Complete Set
KW19-53-400-102	Non-Gear Leg Only
KW9-53-400-102	Gearside Leg Only

CUSHION FOOT

Stoughton Number	Description
KWLPR-2-30-305	Complete Set
KW19-30-305-102	Non-Gear Leg Only
KW9-30-305-102	Gearside Leg Only
KWLPR-2-53-305	Complete Set
KW19-10-305-102	Non-Gear Leg Only
KW9-10-305-102	Gearside Leg Only



LANDING GEAR

Kysor/Westran Model LPR (Round Leg) Parts List

Item No.	Stoughton Number	Description	Quantity
1	See Chart A	Upper Leg Weldment (2-Speed)	1
2	See Chart A	Upper Leg Weldment (Single Speed)	1
3	See Chart A	Lower Leg Assembly (Round)	1
4	KW8994	Bushing	3
5	KWJ-4702	Crankshaft Bracket Assembly F.W. under 54	1
6	KW1351-A1	Grease Fitting	1
7	KW8984	Cover	2
8	KW1402-A7	1"-14 Thin Locknut	2
9	KW1151-B99	1/4"-20 x 2 1/4" Bolt GR. 8	3
10	KW1453-A40	Roll Pin 1/4" x 1 1/4"	4
11	KWJ-5312-1	Bevel Gear 28T	2
12	KWJ-5311-1	Pinion Bevel 14 Tooth	2
13	KWJ-5313	Bushing Screw	2
14	KW1453-A1	Roll Pin 3/8" x 1 1/4"	1
15	KWJ-5309	Gear Set Rigid 26/51 T.	1
16	KW6948-1	Shaft Pinion	1
17	KW1453-A5	Roll Pin 3/8" x 1 1/2"	1
18	KW9366-3	Cover Assembly	1
19	KWJ-122-B	Crank Holder	1
20	KW8829-17	Shaft-Crank Extension	1
21	KW1751-A1	3/8" Plain Heavy Washer	2
22	KW1402-A1	3/8"-16 Locknut	1
23	KWJ-27-BX-3	Crank	1
24	KW9374-1	Crank Bracket Assembly	1
25	KW6364-1	Bushing	1
26	KW1151-B81	3/8"-16 x 2 3/4" Hex Head Bolt	1
27	TC905700-601	Shaft-Crank	1
28	KW6943-3	Shaft Plated for Groups 2 and 4 Lube	3
29	KW1402-A9	1/4"-20 Locknut	1
30	KW1453-A61	Roll Pin	1
31	KW6365-1	Spring-Detent	1
32	KW1051-A1	Ball-Detent	2
33	KW1401-A4	5/8"-11 Hex Nut	8
34	KW1752-A4	Washer	8
35	KWJ-7043-A-B	Brace Tube (Cross)	2
36	KW1151-B17	5/8"-11 x 2" Hex Head Bolt	8
37	KWJ-7043-A-B	Brace Tube (Back)	2
38	KW1102-A2	Bearing T127	2
	KW1102-A9	Bearing T151 for H/D Application	2
39	KWJ-4928-1	Collar	2
	KWJ-5321	Collar for H/D Applications	2
40	KWJ-3237	1/4" x 13/16" Key	2
41	KWJ-7153	Crank Holder	1
42	KWJ-7324	Wheel (3 1/2" x 9")	4
44	KW1402-A1	3/8"-16 Locknut	2
45	KW1151-B36	3/8"-16 x 1" Bolt	2
46	KW9298-2	Axle (wheel models)	2
47	KW9298-1	Axle (sand shoe models)	2
48	KWJ-1219	Washer	1
49	KW6956-1	Shaft (Pinion)	1
50	KW1151-B4	3/8"-16 x 2 1/2" Hex Head Bolt	2
51	KW1402-A1	3/8"-16 Locknut	2
52	KW6883	Intermediate Shaft ("A" Mount)	1
	KW6884	Intermediate Shaft ("B" Mount)	1
56	KWJ-4154	Brace Ear	2
57	KW1151-B1	3/8"-16 x 1 3/4" Hex Head Bolt	2
58	KW1402-A1	3/8"-16 Locknut	2
59	KWJ-3292	Coupling	1
60	KW1914-A1	Spring Clip	1
61	KW1655-A32	1/4"-20 x 1/2" Hex Head Washer Screw	6
62	KW1351-A3	Grease Fitting	1
63	KW1351-A7	Grease Fitting	4
64	See Chart A	Lower Leg Assembly - Std Lube for Cushion Foot	2
65	KWJ-4514-3	Sand Shoe	2
68	KW6866	Crank Holder	1
69	KW9375	Spacer	3
70	KW1904-A14	Seal	1

Note: Numbers may change or become obsolete without notice.

LANDING GEAR

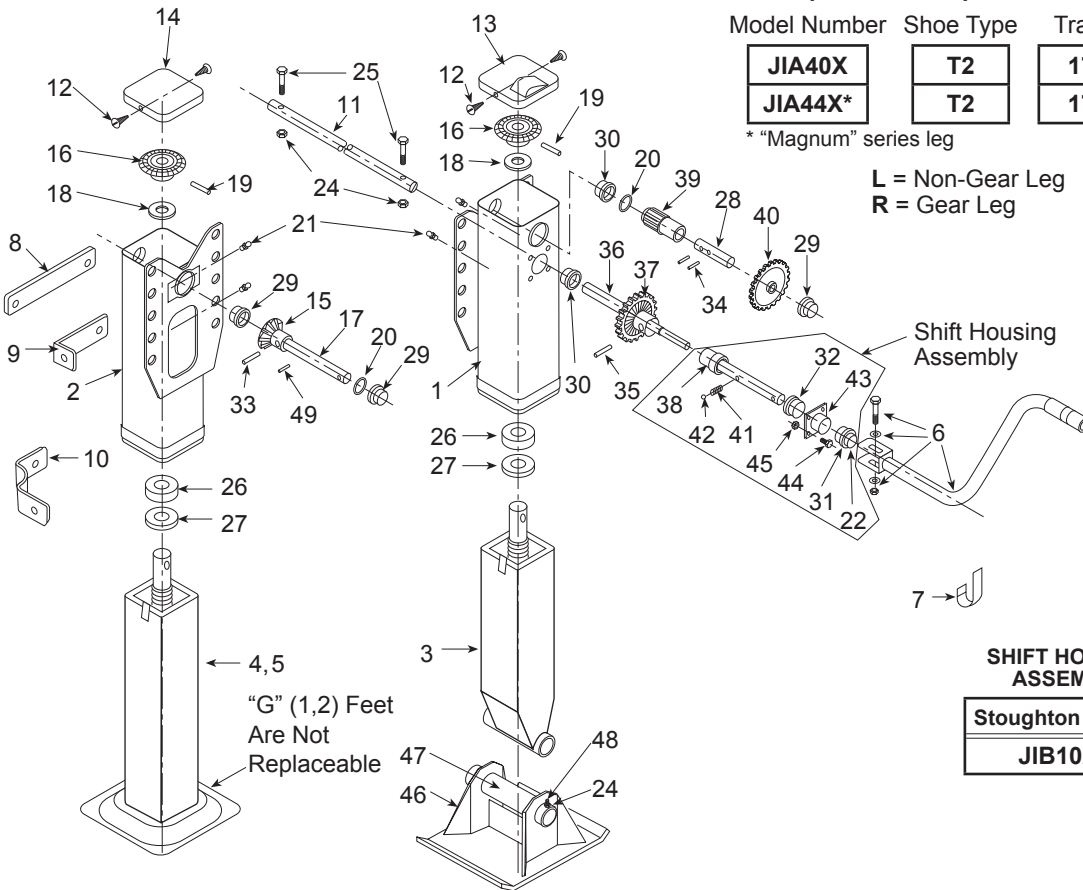
Jost International A400 (Outside Mount) / A401 (Inside Mount) Models

Order Examples

Step 1	Step 2	Step 3	Step 4
Model Number	Shoe Type	Travel	
JIA40X	T2	17"	- "08" Adds Angled Grease Fitting
JIA44X*	T2	17"	

* "Magnum" series leg

L = Non-Gear Leg
R = Gear Leg



SHIFT HOUSING ASSEMBLY

Stoughton Number
JIB10285

LOW PROFILE SAND SHOE

Stoughton Number	Description	Dimensions
JIA40X-T1-19 JIA40XL-T1-19 JIA40XR-T1-19	Complete Set Non-Gear Leg Only Gearside Leg Only	10" x 10" x 2"
JIA40X-T1-17 JIA40XL-T1-17 JIA40XR-T1-17	Complete Set Non-Gear Leg Only Gearside Leg Only	12" x 12" x 2"
JIA40X-T1-14 JIA40XL-T1-14 JIA40XR-T1-14	Complete Set Non-Gear Leg Only Gearside Leg Only	12" x 12" x 2"

FOOTWARE

Number	Description
T	Standard Sand Shoe
T1	Low Profile Sand Shoe
T2	10" x 12" Standard Sand Shoe
T3	10" x 12" Low Profile Sand Shoe
G	10" x 10" Cushion Foot
G1	12" x 12" Cushion Foot
G2	Roadrailer HD Welded
G3	Low Profile Cushion Foot*

* Repair Kit JIC10717

HIGH PROFILE SAND SHOE

Stoughton Number	Description	Dimensions
JIA40X-T-19 JIA40XL-T-19 JIA40XR-T-19	Complete Set Non-Gear Leg Only Gearside Leg Only	10" x 10" x 4 1/2"
JIA40X-T-17 JIA40XL-T-17 JIA40XR-T-17	Complete Set Non-Gear Leg Only Gearside Leg Only	12" x 12" x 4 1/2"
JIA40X-T-17 JIA40XL-T-17 JIA40XR-T-17	Complete Set Non-Gear Leg Only Gearside Leg Only	10" x 10" x 4 1/2"

CUSHION FOOT

Stoughton Number	Description	Dimensions
JIA40X-G-19 JIA40XL-G-19 JIA40XR-G-19	Complete Set Non-Gear Leg Only Gearside Leg Only	10" x 10"
JIA40X-G-17 JIA40XL-G-17 JIA40XR-G-17	Complete Set Non-Gear Leg Only Gearside Leg Only	12" x 12"
JIA40X-G1-17 JIA40XL-G1-17 JIA40XR-G1-17	Complete Set Non-Gear Leg Only Gearside Leg Only	12" Round

Note: Sets available without hardware.



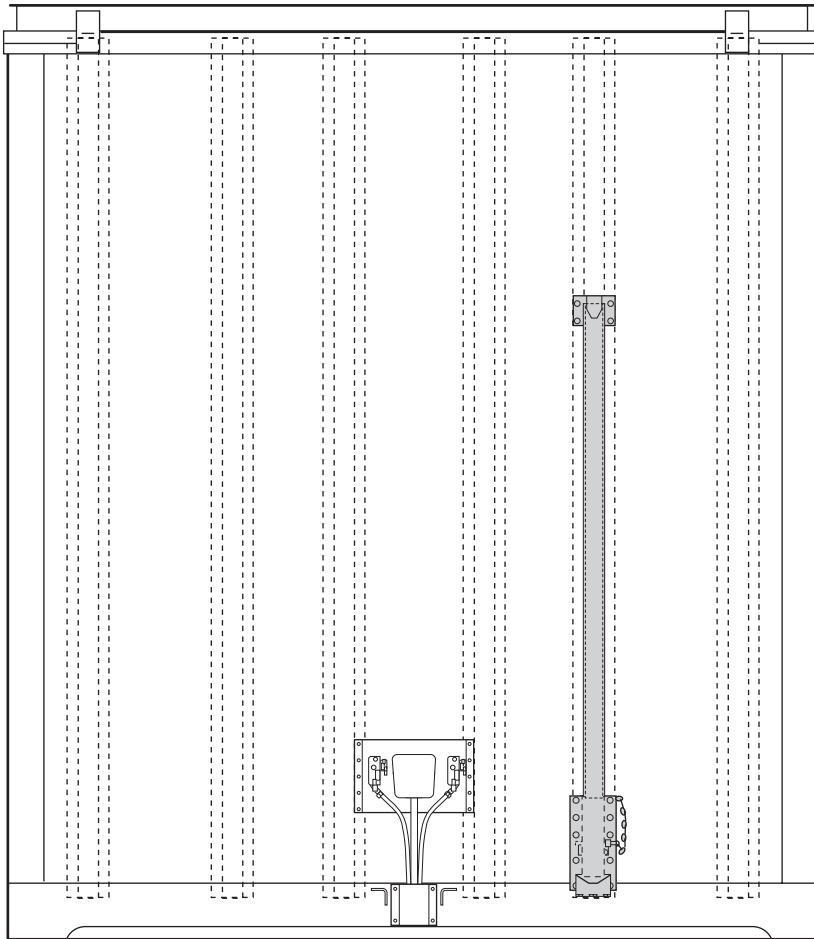
LANDING GEAR

Jost International A400/A401 Model Parts List

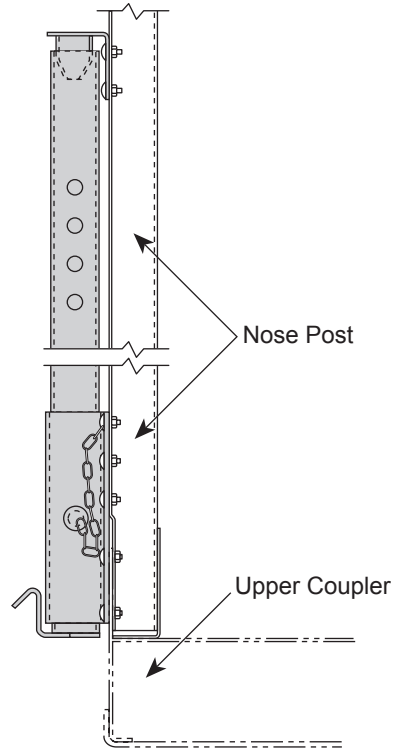
Item No.	Stoughton Number	Description	Quantity
1	JID10201.1 JID10201.2 JID10201.3	Outer Housing – 2-Speed – 14" Travel Outer Housing – 2-Speed – 17" Travel Outer Housing – 2-Speed – 19" Travel	
2	JID10116.1 JID10116.2 JID10116.3	Outer Housing – Single Speed – 14" Travel Outer Housing – Single Speed – 17" Travel Outer Housing – Single Speed – 19" Travel	
3	JID10140.1 JID10140.2 JID10140.3	Inner Leg Assembly – Standard – 14" Travel Inner Leg Assembly – Standard – 17" Travel Inner Leg Assembly – Standard – 19" Travel	
4	JID10146.1 JID10146.2 JID10146.3	Inner Leg Assembly – 10" Cushion – 14" Travel Inner Leg Assembly – 10" Cushion – 17" Travel Inner Leg Assembly – 10" Cushion – 19" Travel	
5	JID10254.1 JID10254.2 JID10254.3	Inner Leg Assembly – 12" Cushion – 14" Travel Inner Leg Assembly – 12" Cushion – 17" Travel Inner Leg Assembly – 12" Cushion – 19" Travel	
6	JIC10592.2	Standard Crank with Hardware	1
7	JIB10261	Crank Hanger	1
8	JIC10262	Brace Lug – Flat	2
9	JIC10263	Brace Lug – 90	2
10	JIC10108	Brace Lug – W	2
11	JIB10066	Intermediate Cross Shaft	1
12	JIA10059.1	Cover Screw	4
13	JIC10217	Cover – 2-Speed	1
14	JIC10259	Cover – Single Speed	1
15	JIC10177	Pinion Gear	1
16	JIC10155	Bevel Gear	2
17	JIB10130	Pinion Shaft – Single Speed	1
18	JIA10102	Thrust Washer	2
19	JIA10052.3	Grooved Pin	2
20	JIA10218	Spacer Washer	2
21	JIA10040	Grease Fitting	4
22	JIA10283	Grease Seal	1
23	JIC10209	Strut Brace (not shown)	4
24	JIA10038.7	Self Locking Nut	4
25	JIA10037.1	3/8" x 2" Gr5 Cross Shaft Bolt	2
26	JIA10033	Thrust Bearing	2
27	JIA10101	Collar	2
28	JIA10212	Output Shaft	1
29	JIA10255	Bushing	3
30	JIA10255	Bushing	2
31	JIA10249	Detent Bushing	1
32	JIA10242	Bushing	1
33	JIA10054.3	Roll Pin 3/8" x 1 1/2"	1
34	JIA10260.1	Spiral Pin	2
35	JIA10054.7	Roll Pin 3/8" x 1 3/4"	1
36	JIB10236	Output Cluster Shaft	1
37	JIC10234	Output Cluster Gear	1
38	JIC10233	Input Gear Shaft	1
39	JIC10078	Output Spur Gear	1
40	JIC10085	Input Spur Gear	1
41	JIA10049	Detent Spring	1
42	JIA10048	Detent Ball	2
43	JIB10229	Shift Housing	1
44	JIA10230	Shift Housing Bolt	4
45	JIA10038.6	Self Locking Nut	4
46	JIC10035 JIC10135 JIC10256 JIC10257	Shoe 10" x 10" x 4 1/2" Standard Shoe 10" x 10" x 2" Shoe 10" x 12" x 4 1/2" Shoe 10" x 12" x 2"	2 2 2 2
47	JIB10036	Shoe Axle	2
48	JIA10037.3	Hex Head Bolt	2
49	JIA10054.6	Roll Pin 1/4" x 1 1/4"	1

ANTI-NOSEDIVE ASSEMBLY

Stoughton



Front View



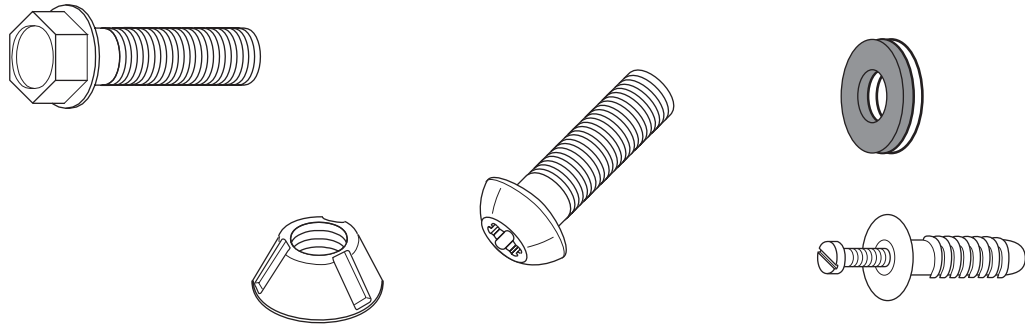
Side View

**ANTI-NOSEDIVE
ASSEMBLY**

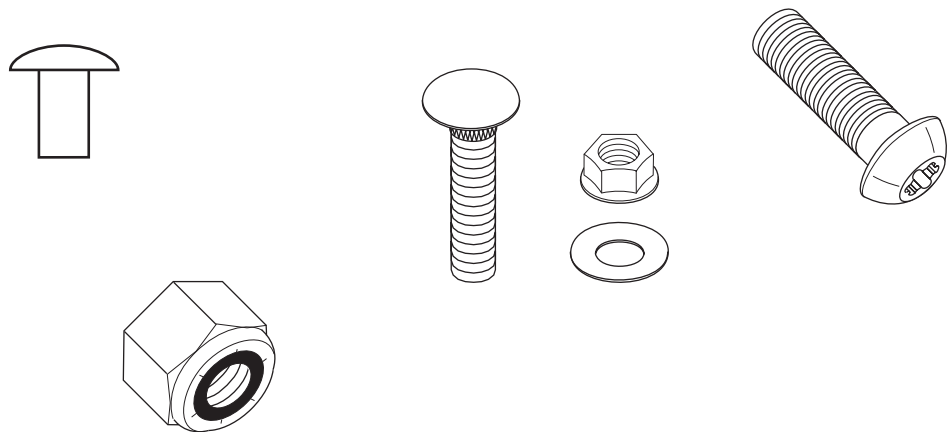
Stoughton Number
31 03514

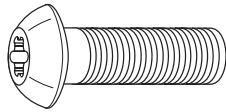
**"SAFETY" PIN
FOR ASSEMBLY**

Stoughton Number	Remarks
04 85097 000 00	4" Shaft x 3/4" Dia.



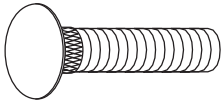
Fasteners.....	8-1
Stoughton.....	8-1
Rivets – Standard Brazier Head Aluminum	8-2
Stoughton.....	8-2
Rivets – Standard Universal Head Aluminum.....	8-3
Stoughton.....	8-3
Rivets 8-4	
Stoughton.....	8-4
Floor Screws.....	8-5
Stoughton.....	8-5
FRP Fasteners	8-5
Stoughton.....	8-5
Miscellaneous Fasteners.....	8-6
Stoughton.....	8-6





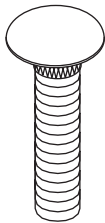
**BUTTON HEAD TORX CAPSCREW
TORX® PLUS**

Stoughton Number	Dimensions	Remarks
04 95033 100 00	3/8"-24 x 1"	TX 45
04 95033 125 00	3/8"-24 x 1 1/4"	TP 10016
04 95033 150 00	3/8"-24 x 1 1/2"	TX 45

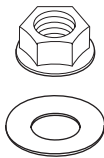


ROOF BOW BOLT

Stoughton Number	Dimensions	Remarks
04 95029 100 00	5/16"-18 x 1"	Standard
04 95075 100 00	1/4"-20 x 1"	Z-Plate

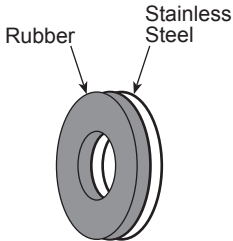


Kit contains eight
(8) of each piece



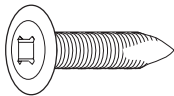
CROSSMEMBER BOLT KIT

Stoughton Number
04 06638 KIT



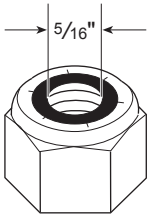
**ROOF BOW
RUBBER/STEEL
WASHER - 5/16"**

Stoughton Number	Remarks
04 96031 000 00	Standard
04 96042 000 00	Z-Plate



**PLYWOOD LINER SCREW SQUARE
DRIVE**

Stoughton Number	Dimensions
04 85592 075 00	3/16"-20 x 3/4"
04 85592 100 00	3/16"-20 x 1"



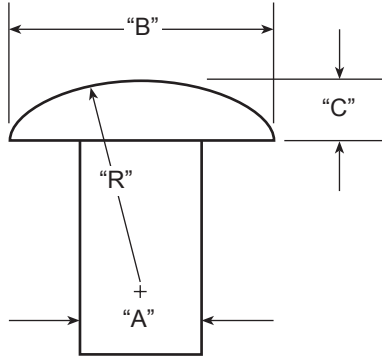
ROOF BOW HEX NUT - 5/16"

Stoughton Number	Description	Remarks
04 95536 000 00	Stainless Steel	Standard
04 95549 000 00	Stainless Steel	Z-Plate

RIVETS – STANDARD BRAZIER HEAD ALUMINUM

Stoughton

See page 8-4 for part numbers



Dimensions

A	B	C	R
1/16"	0.156	0.031	0.114
3/32"	0.235	0.047	0.171
1/8"	0.312	0.062	0.227
5/32"	0.390	0.078	0.283
3/16"	0.467	0.094	0.339
1/4"	0.625	0.125	0.454
5/16"	0.780	0.156	0.566
3/8"	0.937	0.187	0.680

Alloys

1100F
2117T4 (Dimple)
6061T6
6053T61
5056H32

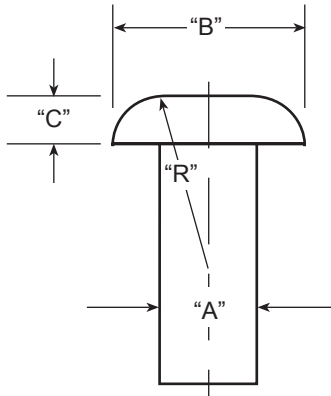
Approximate Pieces in a Pound

Length (Inches)	Nominal Diameter (Inches)														
	1/16 0.062	3/32 0.094	1/8 0.125	5/32 0.156	3/16 0.187	7/32 0.219	1/4 0.250	9/32 0.281	5/16 0.312	3/8 0.375	7/16 0.437	1/2 0.500	9/16 0.562	5/8 0.625	3/4 0.750
1/16	19,833	6,587	3,012	•••	•••	•••	•••	•••	•••	•••	•••	•••	•••	•••	•••
3/32	16,644	5,761	2,698	1,479	887	•••	•••	•••	•••	•••	•••	•••	•••	•••	•••
1/8	14,337	5,120	2,443	1,357	823	•••	•••	•••	•••	•••	•••	•••	•••	•••	•••
3/16	11,225	4,187	2,055	1,166	720	481	337	•••	•••	•••	•••	•••	•••	•••	•••
1/4	9,223	3,542	1,773	1,022	640	432	305	224	169	103	•••	•••	•••	•••	•••
5/16	7,827	3,069	1,559	910	576	392	279	206	156	97	64	45	•••	•••	•••
3/8	6,798	2,708	1,391	820	523	358	257	191	145	90	60	42	31	23	•••
7/16	6,009	2,422	1,256	748	480	330	238	177	136	85	57	40	29	22	•••
1/2	5,383	2,191	1,145	684	443	306	222	166	127	80	54	38	28	21	13
9/16	4,876	2,000	1,052	632	411	286	207	155	120	76	51	36	27	20	13
5/8	4,456	1,840	973	587	384	268	195	147	113	72	49	35	26	20	12
11/16	4,102	1,704	905	548	360	252	184	139	108	69	47	33	25	19	12
3/4	3,800	1,586	845	514	338	237	174	132	102	66	45	32	24	18	11
7/8	3,314	1,394	748	457	303	213	157	119	93	60	41	30	22	17	11
1	2,937	1,243	670	412	274	194	143	109	85	56	38	28	21	16	10
1 1/8	2,638	1,112	607	375	250	178	131	100	79	52	36	26	19	15	9.5
1 1/4	2,393	1,022	555	343	230	164	122	93	73	48	33	24	18	14	9.0
1 3/8	•••	939	511	317	213	152	113	87	68	45	31	23	17	13	8.6
1 1/2	•••	868	474	295	198	142	106	81	64	42	30	22	16	13	8.2
1 3/4	•••	754	413	258	174	125	93	72	57	38	27	20	15	12	7.5
2	•••	666	366	229	155	112	84	65	51	34	24	18	14	11	6.9
2 1/4	•••	•••	329	206	140	101	76	59	47	31	22	16	13	9.9	6.4
2 1/2	•••	•••	299	188	128	92	69	54	43	29	20	15	12	9.2	6.0
2 3/4	•••	•••	273	172	117	85	64	50	40	27	19	14	11	8.6	5.6
3	•••	•••	252	159	108	78	59	46	37	25	18	13	10	8.0	5.3
3 1/4	•••	•••	•••	148	100	73	55	43	34	23	17	12	9.6	7.6	5.0
3 1/2	•••	•••	•••	138	94	68	52	40	32	22	16	12	9.0	7.1	4.7
3 3/4	•••	•••	•••	129	88	64	49	38	30	21	15	11	8.5	6.8	4.5
4	•••	•••	•••	122	83	60	46	36	29	19	14	10	8.1	6.4	4.0
4 1/4	•••	•••	•••	•••	79	57	43	34	27	18	13	10	7.7	6.1	4.1
4 1/2	•••	•••	•••	•••	75	54	41	32	26	18	13	9.5	7.4	5.9	3.9
4 3/4	•••	•••	•••	•••	71	52	39	31	25	17	12.4	9.1	7.0	5.6	3.7
5	•••	•••	•••	•••	68	49	37	29	23	16	11.8	8.7	6.6	5.4	3.6
5 1/4	•••	•••	•••	•••	•••	47	36	28	22	15	11.3	8.3	6.2	5.2	3.5
5 1/2	•••	•••	•••	•••	•••	•••	34	27	22	15	10.9	8.0	5.9	5.0	3.3



RIVETS – STANDARD UNIVERSAL HEAD ALUMINUM

Stoughton



See page 8-4 for part numbers

Dimensions

A	B	C	R
1/16"	0.125	0.032	0.054
3/32"	0.187	0.045	0.082
1/8"	0.250	0.059	0.108
5/32"	0.312	0.072	0.135
3/16"	0.375	0.085	0.164
1/4"	0.500	0.112	0.217
5/16"	0.625	0.138	0.272
3/8"	0.750	0.166	0.328

Alloys

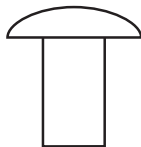
1100F
2117T4 (Dimple)
6061T6
6053T61
5056H32

Approximate Pieces in a Pound

Length (Inches)	Nominal Diameter (Inches)							
	1/16 0.062	3/32 0.094	1/8 0.125	5/32 0.156	3/16 0.187	1/4 0.250	5/16 0.312	3/8 0.375
1/16	24,390	8,457	3,968	•••••	•••••	•••••	•••••	•••••
3/32	19,608	7,194	3,436	1,908	1,261	•••••	•••••	•••••
1/8	16,667	6,250	3,040	1,712	1,136	•••••	•••••	•••••
3/16	12,658	4,926	2,457	1,418	952	427	•••••	•••••
1/4	10,204	4,049	2,066	1,212	813	377	214	149
5/16	8,547	3,436	1,783	1,057	714	338	193	135
3/8	7,353	2,994	1,565	935	633	306	177	123
7/16	6,452	2,646	1,397	840	571	279	163	114
1/2	5,747	2,375	1,261	763	521	257	151	105
9/16	5,181	2,151	1,148	699	476	238	141	98
5/8	4,717	1,969	1,055	645	441	222	132	92
11/16	4,329	1,811	971	599	408	207	124	86
3/4	4,000	1,681	909	559	382	195	117	81
7/8	3,472	1,466	794	493	337	174	105	73
1	3,067	1,300	709	441	301	157	95	66
1 1/8	2,488	1,168	637	398	273	143	87	61
1 1/4	2,092	1,059	581	364	249	132	81	56
1 3/8	•••••	971	535	334	229	122	75	52
1 1/2	•••••	893	493	310	212	113	69	49
1 3/4	•••••	775	427	270	185	99	61	43
2	•••••	680	377	238	163	88	55	38
2 1/4	•••••	•••••	338	214	147	80	50	34
2 1/2	•••••	•••••	306	194	133	73	45	31
2 3/4	•••••	•••••	279	177	122	67	41	29
3	•••••	•••••	257	163	112	62	38	27
3 1/4	•••••	•••••	•••••	151	104	57	36	25
3 1/2	•••••	•••••	•••••	141	97	53	33	23
3 3/4	•••••	•••••	•••••	132	91	50	31	22
4	•••••	•••••	•••••	124	85	47	30	21
4 1/4	•••••	•••••	•••••	•••••	81	45	28	20
4 1/2	•••••	•••••	•••••	•••••	76	42	27	19
4 3/4	•••••	•••••	•••••	•••••	72	40	25	18
5	•••••	•••••	•••••	•••••	69	38	24	17
5 1/4	•••••	•••••	•••••	•••••	•••••	36	23	16
5 1/2	•••••	•••••	•••••	•••••	•••••	35	22	15

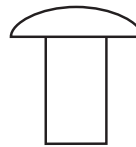
RIVETS

Stoughton



3/16" DIAMETER BRAZIER HEAD RIVETS

Stoughton Number	Description
04 98002 313 XX	3/16" x 5/16" Aluminum
04 98002 375 XX	3/16" x 3/8" Aluminum
04 98002 438 XX	3/16" x 7/16" Aluminum
04 98002 500 XX	3/16" x 1/2" Aluminum
04 98002 563 XX	3/16" x 9/16" Aluminum
04 98002 625 XX	3/16" x 5/8" Aluminum
04 98002 750 XX	3/16" x 3/4" Aluminum



1/4" DIAMETER BRAZIER HEAD RIVETS

Stoughton Number	Description
04 98003 100 XX	1/4" x 1" Aluminum
04 98003 438 XX	1/4" x 7/16" Aluminum
04 98003 500 XX	1/4" x 1/2" Aluminum
04 98003 563 XX	1/4" x 9/16" Aluminum
04 98003 625 XX	1/4" x 5/8" Aluminum
04 98003 688 XX	1/4" x 11/16" Aluminum
04 98003 750 XX	1/4" x 3/4" Aluminum
04 98003 875 XX	1/4" x 7/8" Aluminum



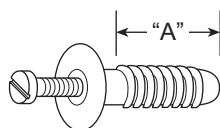
3/8" STANDARD UNIVERSAL HEAD RIVETS

Stoughton Number	Description
04 98038 100 XX	3/8" x 1" Aluminum
04 98038 813 XX	3/8" x 13/16" Aluminum
04 98038 875 XX	3/8" x 7/8" Aluminum



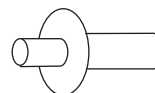
3/16" DIAMETER STANDARD UNIVERSAL HEAD RIVETS

Stoughton Number	Description
04 98039 375 XX	3/16" x 3/8" Aluminum
04 98039 438 XX	3/16" x 7/16" Aluminum
04 98039 500 XX	3/16" x 1/2" Aluminum
04 98039 563 XX	3/16" x 9/16" Aluminum



TAPITS

Stoughton Number	Description	"A"
04 98010 000 00	1/4" Nylon Tap-it	3/4"
04 98010 000 01	1/4" Nylon Tap-it	1"



DRIVE RIVETS

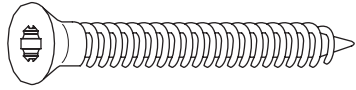
Stoughton Number	Diameter	Grip Range
04 98054	3/16"	.265-.359

XX = 2117-T3 Alloy (Hard)
 X1 - H1100 Alloy (Soft)
 02 = 2117-T3 Alloy (Hard) "Powder Coated Black"

Note: Buck rivets sold "per pound"

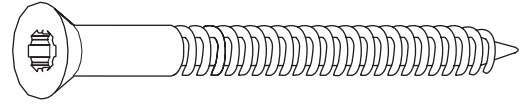
FLOOR SCREWS

Stoughton



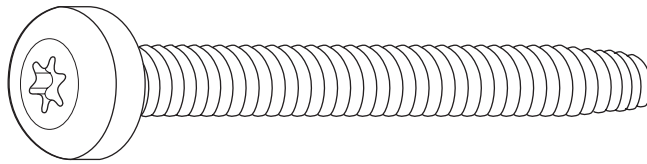
1/4" TORX FLATHEAD SCREW

Stoughton Number	Dimensions	Box Quantity
04 96507 150 XX	1/4"-20 x 1 1/2"	3000
04 96507 175 XX	1/4"-20 x 1 3/4"	2000
04 96507 200 XX	1/4"-20 x 2"	2200
04 96507 250 XX	1/4"-20 x 2 1/2"	1800
04 96507 300 XX	1/4"-20 x 3"	
04 96507 400 XX	1/4"-20 x 4"	1500
04 96507 500 XX	1/4"-20 x 5"	400



5/16" TORX FLATHEAD SCREW
TORX® PLUS

Stoughton Number	Dimensions	Box Quantity
04 96501 200 00	5/16"-18 x 2"	Bulk
04 96501 200 T40	5/16"-18 x 2"	
04 96501 250 00	5/16"-18 x 2 1/2"	1000
04 96501 300 00	5/16"-18 x 3"	1000
04 96501 350 00	5/16"-18 x 3 1/2"	1200
04 96501 400 00	5/16"-18 x 4"	
04 96501 500 00	5/16"-18 x 5"	300

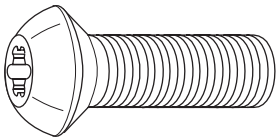


FLOOR SCREW ZIP

Stoughton Number	Description
04 96517 100 XX	5/16"-18 x 1" Pan Head/Torx Drive
04 96517 200 XX	5/16"-18 x 2" Pan Head/Torx Drive
04 96517 300 XX	5/16"-18 x 3" Pan Head/Torx Drive

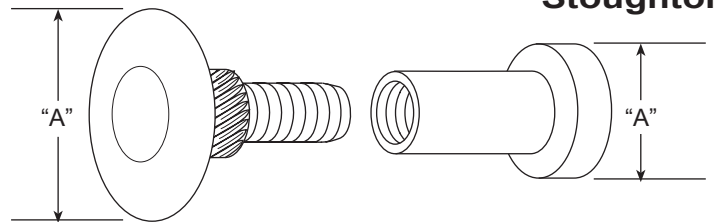
FRP FASTENERS

Stoughton



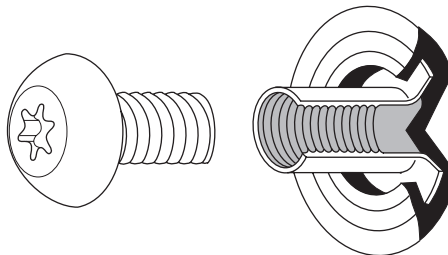
3/8" TORX CORROFLO

Stoughton Number	Dimensions
04 97508 100 00	3/8"-16 x 1"



CAMTAINER

Stoughton Number	Description	"A"
04 97511 000 00	Bolt Camtainer – 880-82920	.893
04 97505 000 03	Nut Camtainer (Torx) – 890-60020	.618
04 97507 000 00	Nut Camtainer (Torx) – 890-60008	1.000



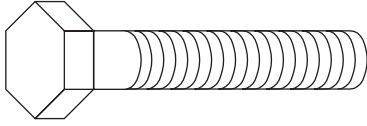
POLY SEAL

Stoughton Number	Description
04 95028 075 00	5/16"-18 x 3/4" Torx Truss Head
04 95028 100 00	5/16"-18 x 1" Torx Truss Head
04 97611 000 00	5/16"-18 x 1/2" FRP Panel Nut
04 98505 000 00	5/16" Poly Seal T-Nut

Other items may be available.
Call with your needs.

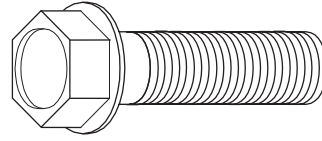
MISCELLANEOUS FASTENERS

Stoughton



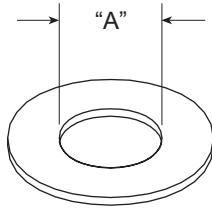
HEX HEAD CAP SCREW

Stoughton Number	Dimensions
04 95003 100 00	3/8"-16 x 1"



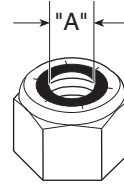
WASHER HEAD CAP SCREW

Stoughton Number	Dimensions
04 95007 125 00	3/8"-24 x 1 1/4"



FLAT WASHER

Stoughton Number	"A"
04 96004	5/16"
04 96006	3/8"
04 96008	1/2"

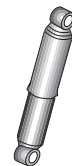
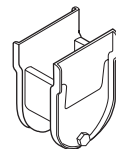
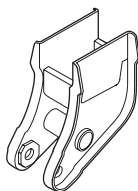
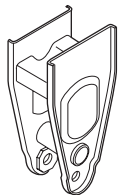


NYLON LOCK NUT

Stoughton Number	"A"
04 95501 000 00	1/4"-20
04 95502 000 00	5/16"-18
04 95503 000 00	3/8"-16
04 95504 000 00	3/8"-24
04 95506 000 00	5/8"-11



Shock Absorbers	9-1
Crossover Chart From Monroe to Gabriel.....	9-1
Air Suspensions.....	9-2
Neway NS190 Series	9-2
Neway NS190 Parts List.....	9-3
Neway NS190 (EZ-PULL) Hutch Type Slider.....	9-4
POSILOCK Applications	9-5
Neway NS-400 Series.....	9-6
Neway NS-400 Parts List.....	9-7
Neway CB400 Series	9-8
Neway CB400 Parts List.....	9-9
Neway AR-90-1 Series	9-10
Neway AR-90-1 Parts List.....	9-11
Neway RL-196 Series	9-12
Neway RL-196 Parts List	9-13
Neway RL-196A-12, -14, -15, -16 and -17 Series.....	9-14
Neway RL-196A-12, -14, -15, -16 and -17 Parts List.....	9-15
Reyco 86AR / RS1015 Air Ride	9-16
Reyco 86AR / RS1015 Air Ride Parts List	9-17
Reyco 86AR-RS1035 Anti Dock Walk	9-18
Reyco 86AR-RS1035 Anti Dock Walk Parts List.....	9-19
Hendrickson / Turner Model 190.....	9-20
Hendrickson / Turner Model 190 Parts List.....	9-21
Hendrickson / Turner Model 230.....	9-22
Hendrickson / Turner Model 230 Parts List.....	9-23
Parts List Chart A.....	9-23
Air Springs.....	9-24
Crossover Chart From Conti-Tech to Industry Common Numbers	9-24
Crossover Chart.....	9-25
Springs	9-26
Stoughton.....	9-26
Body Rails and Stop Bar Assemblies	9-27
Hutch H-8200 / H8800	9-27
Spring Suspensions.....	9-28
Hutch H-7700 (Obsolete – Available as service parts only).....	9-28
Hutch H-7700 Parts List.....	9-29
Hutch H-9700.....	9-30
Hutch H-9700 Parts List.....	9-31
Binkley Suspension.....	9-32
Binkley Suspension Parts List.....	9-33



Sliders	9-34
Hutch H-8200	9-34
Hutch H-8200 Parts List.....	9-35
Hutch H-8800 & H8900 (Obsolete – Available as service parts only) ..	9-36
Hutch H-8800 & H-8900 Parts List.....	9-37
Hutch H-9200	9-38
Hutch H-9200 Parts List.....	9-39
Hutch H-9800 (Replaces obsolete H-8800) / H-9801* / H-9811**	9-40
Hutch H-9800 Parts List.....	9-41
Hutch 2001 / 2011	9-42
HutchRide 2000	9-42
Hutch 2001 / 2011 Parts List.....	9-43
Binkley Lite-Slide™ SL7000	9-44
Binkley Lite-Slide™ SL8000 and SL6000	9-45
Neway CB400	9-46
Neway CB400 Parts List.....	9-47

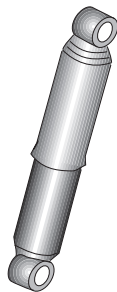
SHOCK ABSORBERS

Crossover Chart From Monroe to Gabriel

Gabriel Number	Monroe Number
GF83362	6701
GF83215	6707
GF85026	6715*
GF85009	6717*
GF83242	6719
GF85003	6720*
GF83312	6811
GF83219	6828
GF83202	6833
GF83216	6841
GF83308	6860
GF83309	6861
GF83314	6863
GF83207	6886
GF83215	6891
GF83203	6893
GF83209	6894
GF83204	6895
GF83201	6898
GF83401	6902
GF83400	6903
GF83304	6912
GF83303	6913
GF83302	6916
GF83318	6921
GF83317	6924

Gabriel Number	Monroe Number
GF83225	6957
GF83353	6966
GF83221	6969
GF85000	
GF85001	
GF85005	
GF85006	
GF85029	
GF85307	74001
GF85305	74003
GF85315	74004
GF85304	74006
GF85303	74025
GF85302	74028
GF85301	74069
GF85700	74400
GF85711	74402
GF85300	74405
GF87001	74406
GF85702	74408
GF85310	74409
GF85703	74411
GF85704	74412
GF85700	74413
GF85318	74415
GF85705	74416
GF85311	74417
GF85709	74418
GF89422	74420

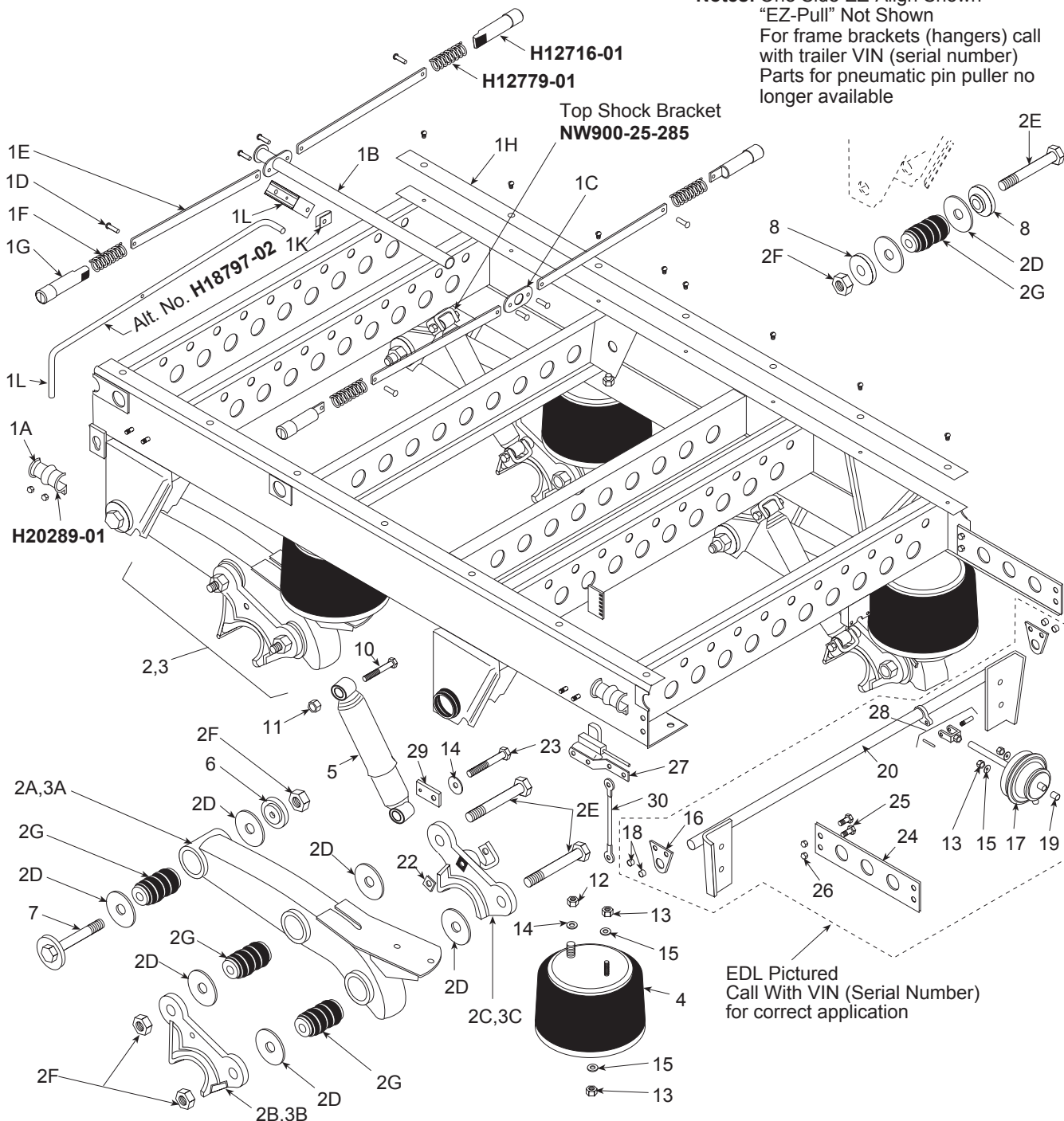
* Shock Upgrade 1 5/8" Piston



AIR SUSPENSIONS

Neway NS190 Series

Notes: One Side EZ-Align Shown
 "EZ-Pull" Not Shown
 For frame brackets (hangers) call
 with trailer VIN (serial number)
 Parts for pneumatic pin puller no
 longer available



For Pivot Connection "Kit" as pictured:
 Neway (SRK-266) NW481-00-329
 Kit rebushes one Axle

For Pivot Connection "Kit" for units with two side EZ ALIGN:
 Neway (SRK-521) NW481-00-385
 Kit rebushes one axle

For Axle Connection "Kit":
 Neway (SRK-457) NW481-00-320
 Kit rebushes one axle

FOR UNITS WITH AC-6100 AIR KIT – OUR STANDARD

Stoughton Number	Description
NW900-54-007	Height Control Valve
NW905-54-107	Pressure Protect Valve
NW905-54-615*	Pilot (Auto Dump) Valve
NW905-54-664	Auto Reset Valve

* Replaces 900-54-079



AIR SUSPENSIONS

Neway NS190 Parts List

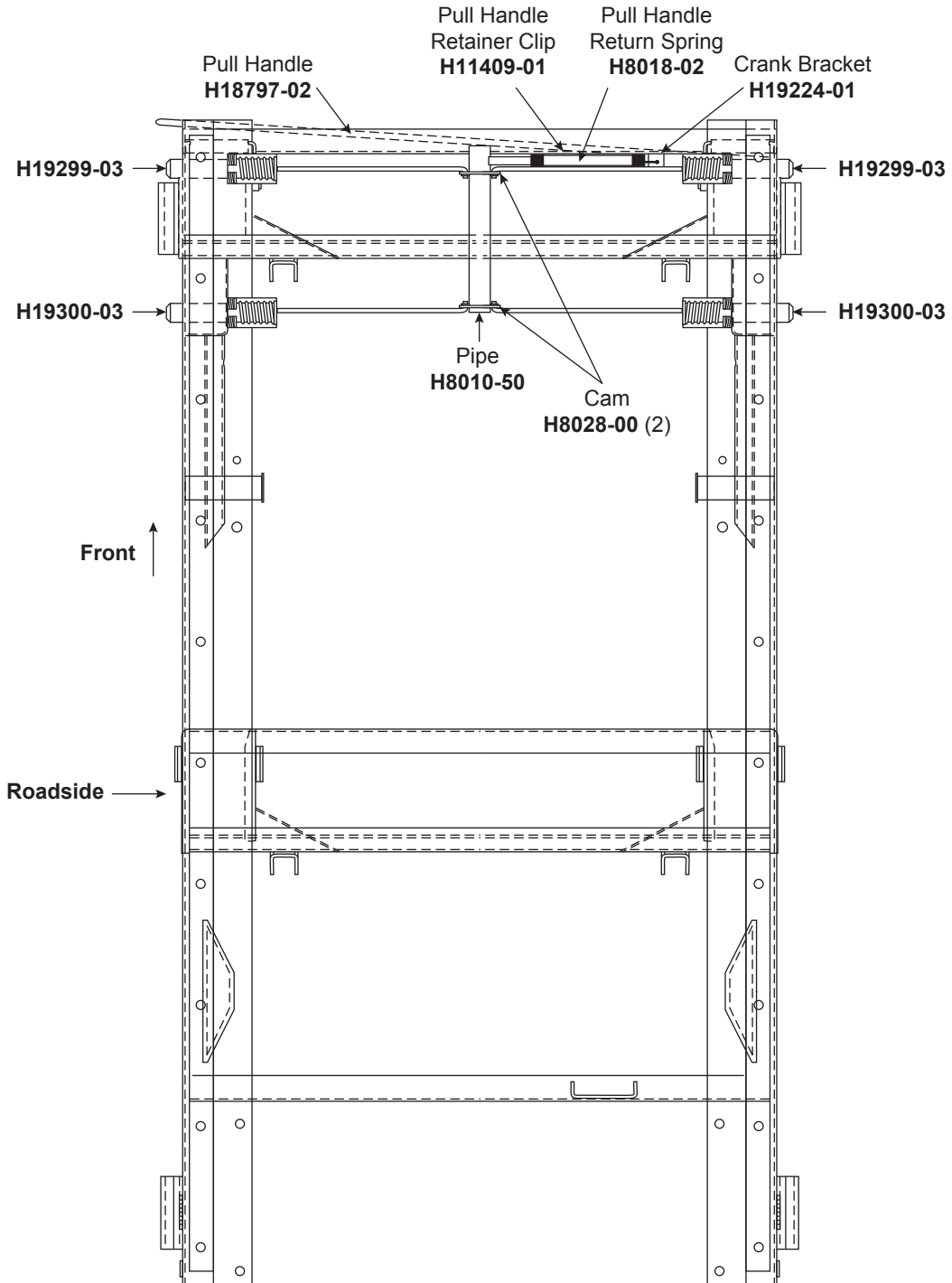
Item No.	Slider Box Length	Stoughton Number				Description	Qty.
		NS190-16.0	NS190-16.5	NS190-17.0	NS190-18.0		
1	84"	42" - NW905-46-161	42" - NW905-46-164	42" - NW905-46-164	42" - NW-905-46-164	Slider Assembly	1
1	84"	48" - NW905-46-155	48" - NW905-46-158	48" - NW905-46-158	48" - NW905-46-158	Slider Assembly	1
1	100"	42" - NW905-46-211	42" - NW905-46-214	42" - NW905-46-214	42" - NW905-46-214	Slider Assembly	1
1	100"	48" - NW905-46-205	42" - NW905-46-208	42" - NW905-46-208	42" - NW905-46-208	Slider Assembly	1
1	84"	42" - NW605-46-163	42" - NW905-46-166	42" - NW905-46-166	42" - NW905-46-166	Slider Assembly	1
1	84"	48" - NW905-46-157	48" - NW905-46-160	48" - NW905-46-160	48" - NW905-46-160	Slider Assembly	1
1	100"	42" - NW905-46-213	42" - NW905-46-216	42" - NW905-46-216	42" - NW905-46-216	Slider Assembly	1
1	100"	48" - NW905-46-207	42" - NW905-46-210	42" - NW905-46-210	42" - NW905-46-210	Slider Assembly	1
1A	84"/100"	H20289-01	H20289-01	H20289-01	H20289-01	Clip,(hold down)	4
1B	84"/100"	NW900-38-413	NW900-38-413	NW900-38-413	NW900-38-413	Tube 28.5 x 1.31 x .109	1
1C	84"/100"	NW900-45-302	NW900-45-302	NW900-45-302	NW900-45-302	Cam-puller	2
1D	84"/100"	NW900-34-145	NW900-34-145	NW900-34-145	NW900-34-145	Rivet Pin	8
1E	84"/100"	42" - NW900-34-147	42" - NW900-34-147	42" - NW900-34-147	42" - NW900-34-147	Link	4
1E	84"/100"	48" - H11412-16	48" - H11412-16	48" - H11412-16	48" - H11412-16	Link	4
1F	84"/100"	H12779-01	H12779-01	H12779-01	H12779-01	Spring	4
1G	84"/100"	H12716-01	H12716-01	H12716-01	H12716-01	Pin (cast lock)	4
1H	84"/100"	H11421-01	H11421-01	H11421-01	H11421-01	Slider Pad	2
1J	84"/100"	H11409-01	H11409-01	H11409-01	H11409-01	Clip (link attachment)	1
1K	84"/100"	H8026-00	H8026-00	H8026-00	H8026-00	Crank	1
1L	84"/100"	H71024-01	H71024-01	H71024-01	H71024-01	Pull Handle	1
2	84"/100"	NW905-16-818	NW905-16-818	NW905-16-818	NW905-16-818	Equalizing Beam LH (beam & adapter assy.)	2
2A	84"/100"	NW905-168-16	NW905-168-16	NW905-168-16	NW905-168-16	Equalizing Beam LH (bushed beam only)	2
2B	84"/100"	NW900-01-215	NW900-01-215	NW900-01-215	NW900-01-215	Axle Adapter LH (outside)	2
2C	84"/100"	NW905-01-350	NW905-01-350	NW905-01-350	NW905-01-350	Axle Adapter LH (inside)	2
2D	84"/100"	NW900-36-217	NW900-36-217	NW900-36-217	NW900-36-217	Washer	8
2E	84"/100"	NW932-01-051	NW932-01-051	NW932-01-051	NW932-01-051	Hex Bolt 1.125-7 x 8.5 LG	10
2F	84"/100"	NW934-00-506	NW934-00-506	NW934-00-506	NW934-00-506	Hex Lock Nut 1.125-7	6
2G	84"/100"	NW900-08-149	NW900-08-149	NW900-08-149	NW900-08-149	Bushing	12
3	84"/100"	NW905-16-819	NW905-16-819	NW905-16-819	NW905-16-819	Equalizing Beam RH (beam & adapter assy.)	2
3A	84"/100"	NW905-16-817	NW905-16-817	NW905-16-817	NW905-16-817	Equalizing Beam RH (bushed beam only)	2
3B	84"/100"	NW900-01-216	NW900-01-216	NW900-01-216	NW900-01-216	Axle Adapter RH (outside)	2
3C	84"/100"	NW905-01-351	NW905-01-351	NW905-01-351	NW905-01-351	Axle Adapter RH (inside)	2
4	84"/100"	NW905-57-223	NW905-57-225	NW905-57-225	NW905-57-159	Air Spring	4
5	84"/100"	NW900-44-162	NW900-45-040	NW900-45-040	NW900-45-054	Shock Absorber	4
6	84"/100"	NW900-08-186	NW900-08-186	NW900-08-186	NW900-08-186	Alignment Block	2
7	84"/100"	NW905-08-009	NW905-08-009	NW905-08-009	NW905-08-009	Alignment Block Assembly	2
8	84"/100"	NW900-08-198	NW900-08-198	NW900-08-198	NW900-08-198	Alignment Block	4
10	84"/100"	NW930-03-597	NW930-03-597	NW930-03-597	NW930-03-597	Hex Bolt .75-10 x 3.50	8
11	84"/100"	NW934-00-492	NW934-00-492	NW934-00-492	NW934-00-492	Hex Lock Nut .75-10	4
12	84"/100"	NW934-00-149	NW934-00-149	NW934-00-149	NW934-00-149	Hex Nut .75-16	4
13	84"/100"	NW934-00-136	NW934-00-136	NW934-00-136	NW934-00-136	Hex Nut .50-13	10
14	84"/100"	NW936-00-077	NW936-00-077	NW936-00-077	NW936-00-077	Washer .78	8
15	84"/100"	NW936-00-072	NW936-00-072	NW936-00-072	NW936-00-072	Washer .53	10
16	84"/100"	NW900-34-494	NW900-34-494	NW900-34-494	NW900-34-494	Support Plate (900-34-494)	2
17	84"/100"	NW905-48-040	NW905-48-040	NW905-48-040	NW905-48-040	Actuator Chamber	1
18	84"/100"	NW934-00-472	NW934-00-472	NW934-00-472	NW934-00-472	Hex Lock Nut .38-16	4
19	84"/100"	NW900-54-811	NW900-54-811	NW900-54-811	NW900-54-811	Choke Valve	4
20	84"/100"	42" - NW905-46-178	42" - NW905-46-270	42" - NW905-46-136	42" - NW905-46-138	Rod Assembly	4
20	84"/100"	48" - NW905-47-950	48" - NW905-47-950	48" - NW905-46-132	48" - NW905-46-134	Rod Assembly	4
22	84"/100"	NW934-00-367	NW934-00-367	NW934-00-367	NW934-00-367	Square Nut .75-10	4
23	84"/100"	NW930-03-633	NW930-03-633	NW930-03-633	NW930-03-633	Hex Bolt .75-10 x 5.0	4
24	84"/100"	NW900-34-137	NW900-34-137	NW900-34-137	NW900-34-137	Mud Flap Bracket	2
25	84"/100"	NW930-02-907	NW930-02-907	NW930-02-907	NW930-02-907	Hex Bolt .5-13	4
26	84"/100"	NW934-00-480	NW934-00-480	NW934-00-480	NW934-00-480	Hex Lock Nut .50-13	4
27	84"/100"	NW900-54-007	NW900-54-007	NW900-54-007	NW900-54-007	Height Control Valve	1
28	84"/100"	11M018-8	11M018-8	11M018-8	11M018-8	1/2" Clevis Assem. w/ 1/2" Pin	1
29	84"/100"	NW900-54-814	NW900-54-814	NW900-54-814	NW900-54-814	HCV Link Bracket	1
30	84"/100"	NW481-00-225	NW481-00-225	NW481-00-225	NW481-00-225	HCV Linkage Kit (SRK-168)	1
31	84"/100"	NW934-00-244	NW934-00-244	NW934-00-244	NW934-00-244	Hex Nut .313 GR B	8

Note: Numbers may change or become obsolete without notice.

AIR SUSPENSIONS

Neway NS190 (EZ-PULL) Hutch Type Slider

Note: EZ-PULL Slider Pins sold as assembly only. Pins, springs, linkage not sold separately.



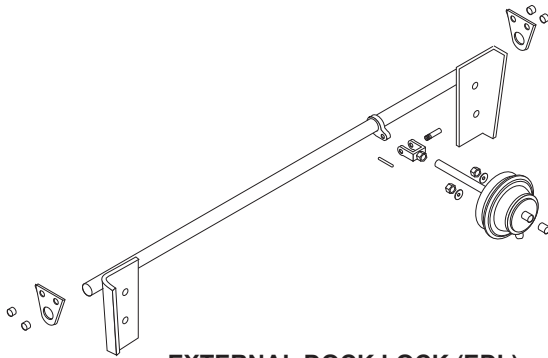
AIR SUSPENSIONS POSILOCK Applications

NEWAY/HOLLAND FRAME BRACKET APPLICATION

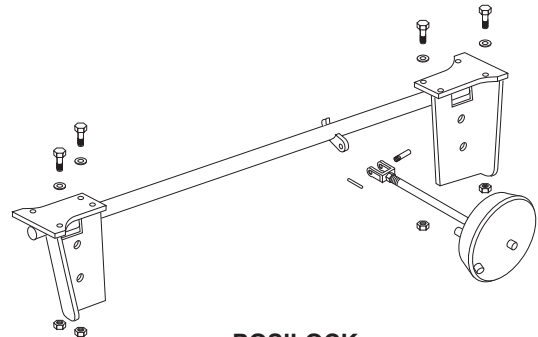
Model	Stoughton Number	Description
Neway NS190 16" - 16.5" Ride Height	NW905-21-306	Roadside Alignable (non-weld)
	NW905-21-302	Curbside Alignable (non-weld)
	NW905-21-308	Roadside Non-alignable (non-weld)
	NW905-21-304	Curbside Non-alignable (non-weld)
Neway NS400 16" - 16.5" Ride Height	BKSP0367-02	Roadside Alignable (non-weld)
	BKSP0367-01	Curbside Alignable (non-weld)
	BKSP0366-02	Curbside Non-alignable (welded)
Holland CB400 / 4000	NW905-21-742	Roadside Frame Bracket Only
	NW481-00-395 (SRK-531)	Roadside Frame Bracket "Kit"
	NW905-21-743	Curbside Frame Bracket Only
	NW481-00-396 (SRK-532)	Curbside Frame Bracket "Kit"

NEWAY/HOLLAND EDL-POSILOCK APPLICATIONS

Model	Stoughton Number	Suspension Ride Height
Neway NS190 with External Dock Lock (EDL) and 1st Generation NS400 with EDL	NW905-47-940	16.0"
	NW905-47-950	16.5"
	NW905-46-132	17.0"
	NW905-46-134	17.5"
Neway NS400 2nd Generation with POSILOCK	NW905-47-990	16.5"
Holland CB400 / 4000 with POSILOCK	NW905-48-066	15.5"
	NW905-48-019	16.0"
	NW905-48-021	16.5"
	NW905-48-023	17.0"



EXTERNAL DOCK LOCK (EDL)



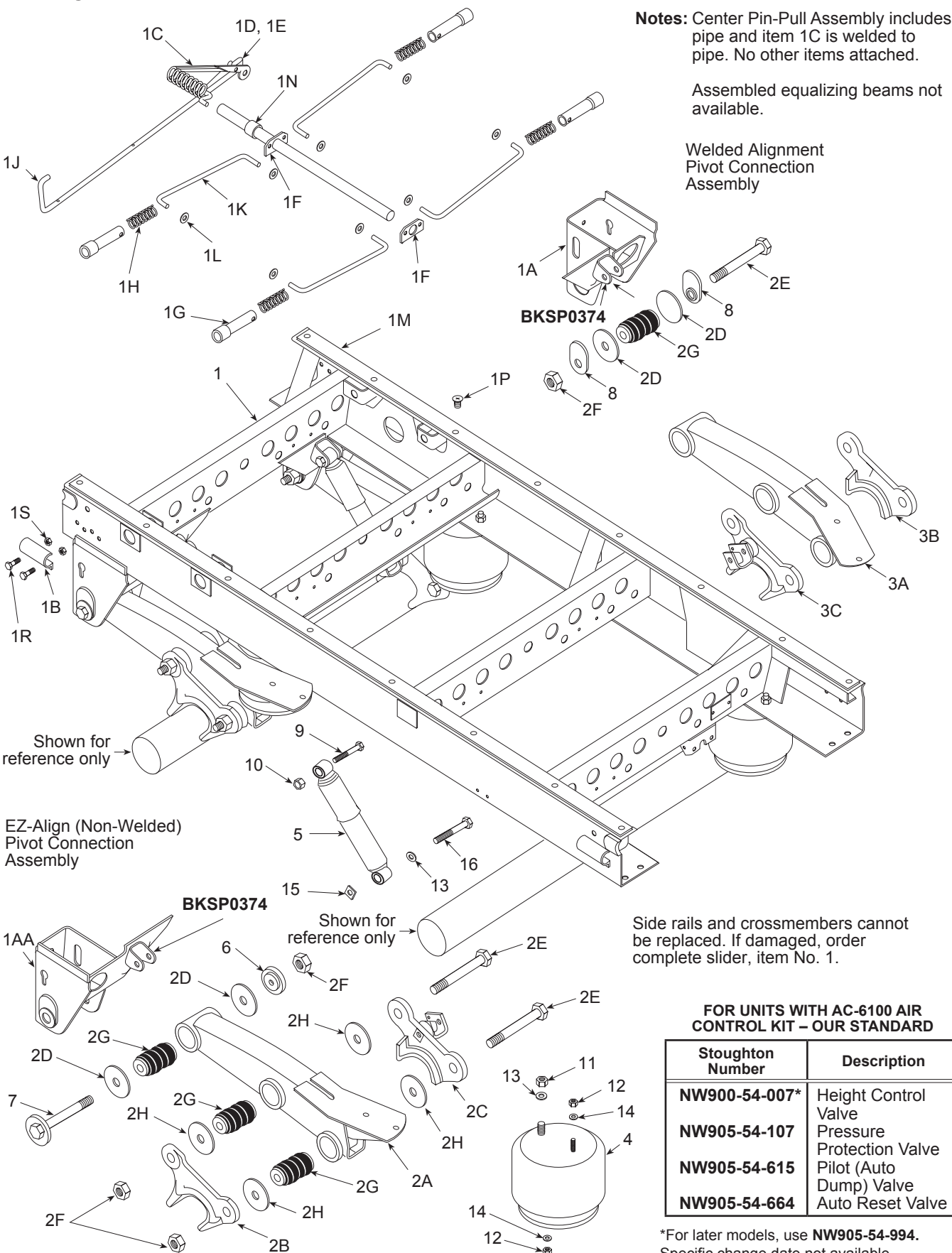
POSILOCK

Notes: For Flipper Plate / Flapper Bars
Assemblies for units with 48" frame width.

More detailed information available on
SAFHolland website ww1.safholland.us.

AIR SUSPENSIONS

Neway NS-400 Series



Notes: Center Pin-Pull Assembly includes pipe and item 1C is welded to pipe. No other items attached.

Assembled equalizing beams not available.

Welded Alignment Pivot Connection Assembly

Shown for reference only

EZ-Align (Non-Welded) Pivot Connection Assembly

Shown for reference only

Side rails and crossmembers cannot be replaced. If damaged, order complete slider, item No. 1.

FOR UNITS WITH AC-6100 AIR CONTROL KIT – OUR STANDARD

Stoughton Number	Description
NW900-54-007*	Height Control Valve
NW905-54-107	Pressure Protection Valve
NW905-54-615	Pilot (Auto Dump) Valve
NW905-54-664	Auto Reset Valve

*For later models, use **NW905-54-994**. Specific change date not available.



AIR SUSPENSIONS

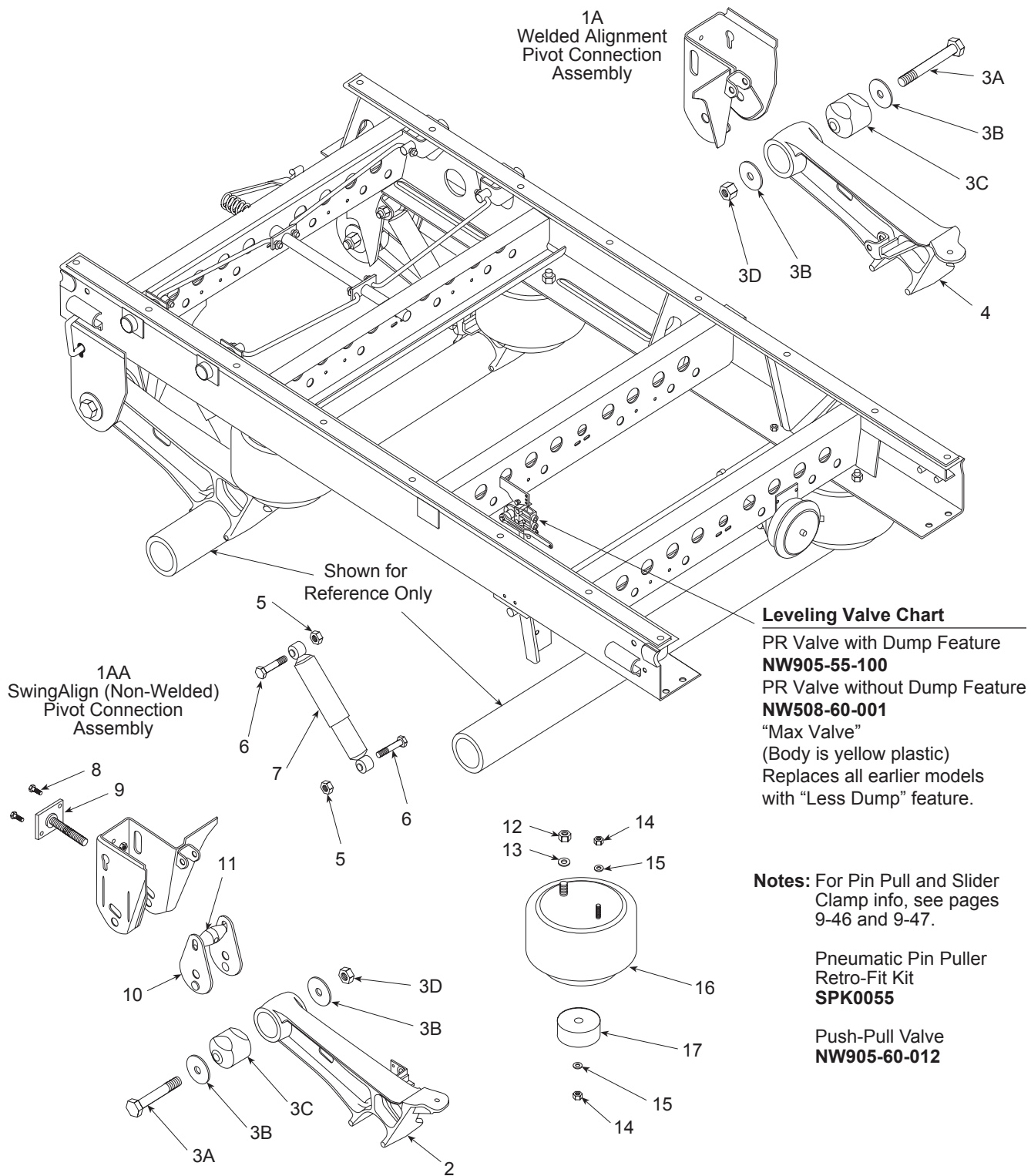
Neway NS-400 Parts List

Item No.	Stoughton Number				Description	96" Slider Box Rail Style	Qty.	
	NS400-16.0	NS400-16.5	NS400-17.0	NS400-18.0				
1	42" - NL1Q22-112N000Y0 48" - NL1Q12-112N000Y0	42" - NL1Q22-122N000Y0 48" - NL1Q12-122N000Y0	42" - NL1Q22-132N000Y0 48" - NL1Q12-132N000Y0	42" - NL1Q22-142N000Y0 48" - NL1Q12-142N000Y0	Slider Assy. w/ Qwik Release w/ 2 NW & 2 WA Frame Brackets*	NSB**	1	
	42" - NH1Q22-112N000Y0 48" - NH1Q12-112N000Y0	42" - NH1Q22-122N000Y0 48" - NH1Q12-122N000Y0	42" - NH1Q22-132N000Y0 48" - NH1Q12-132N000Y0	42" - NH1Q22-142N000Y0 48" - NH1Q12-142N000Y0				NSH**
	42" - NT1Q22-112N000Y0 48" - NT1Q12-112N000Y0	42" - NT1Q22-122N000Y0 48" - NT1Q12-122N000Y0	42" - NT1Q22-132N000Y0 48" - NT1Q12-132N000Y0	42" - NT1Q22-142N000Y0 48" - NT1Q12-142N000Y0				NST**
	42" - NU1Q22-112N000Y0 48" - NU1Q12-112N000Y0	42" - NU1Q22-122N000Y0 48" - NU1Q12-122N000Y0	42" - NU1Q22-132N000Y0 48" - NU1Q12-132N000Y0	42" - NU1Q22-142N000Y0 48" - NU1Q12-142N000Y0				NSU**
	42" - NL1Q22-121N000Y0 48" - NL1Q12-121N000Y0	42" - NL1Q22-131N000Y0 48" - NL1Q12-131N000Y0	42" - NL1Q22-141N000Y0 48" - NL1Q12-141N000Y0	42" - NL1Q22-141N000Y0 48" - NL1Q12-141N000Y0				NSB**
1	42" - NH1Q22-111N000Y0 48" - NH1Q12-111N000Y0	42" - NH1Q22-121N000Y0 48" - NH1Q12-121N000Y0	42" - NH1Q22-131N000Y0 48" - NH1Q12-131N000Y0	42" - NH1Q22-141N000Y0 48" - NH1Q12-141N000Y0	Slider Assy. w/ Qwik Release w/ 4 NW Frame Brackets*	NSH**	1	
	42" - NT1Q22-111N000Y0 48" - NT1Q12-111N000Y0	42" - NT1Q22-121N000Y0 48" - NT1Q12-121N000Y0	42" - NT1Q22-131N000Y0 48" - NT1Q12-131N000Y0	42" - NT1Q22-141N000Y0 48" - NT1Q12-141N000Y0				NST**
	42" - NU1Q22-111N000Y0 48" - NU1Q12-111N000Y0	42" - NU1Q22-121N000Y0 48" - NU1Q12-121N000Y0	42" - NU1Q22-131N000Y0 48" - NU1Q12-131N000Y0	42" - NU1Q22-141N000Y0 48" - NU1Q12-141N000Y0				NSU**
1B	42" - BKSL-0893 48" - BKSL-0893	42" - BKSL-0893 48" - BKSL-0893	42" - BKSL-0893 48" - BKSL-0893	42" - BKSL-0893 48" - BKSL-0893	Hold Down Clip		4	
1C	42" - SLOA1277-01 48" - SLOA1277-01	42" - SLOA1277-01 48" - SLOA1277-01	42" - SLOA1277-01 48" - SLOA1277-01	42" - SLOA1277-01 48" - SLOA1277-01	Center Pin Pull Assembly		1	
1D	42" - SLOA1273 48" - SLOA1273	42" - SLOA1273 48" - SLOA1273	42" - SLOA1273 48" - SLOA1273	42" - SLOA1273 48" - SLOA1273	Clip		1	
1E	42" - XB-CTP-014-59 48" - XB-CTP-014-59	42" - XB-CTP-014-59 48" - XB-CTP-014-59	42" - XB-CTP-014-59 48" - XB-CTP-014-59	42" - XB-CTP-014-59 48" - XB-CTP-014-59	Cotter Pin - 3/16" x 1 1/2"		1	
1F	42" - SLOA1274 48" - SLOA1274	42" - SLOA1274 48" - SLOA1274	42" - SLOA1274 48" - SLOA1274	42" - SLOA1274 48" - SLOA1274	Torsion Cam		2	
1G	42" - SLOA1261 48" - SLOA1261	42" - SLOA1261 48" - SLOA1261	42" - SLOA1261 48" - SLOA1261	42" - SLOA1261 48" - SLOA1261	Lock Pin Hutch Style - 1 5/8" Dia.		4	
	42" - SLOA1238 48" - SLOA1261	42" - SLOA1238 48" - SLOA1261	42" - SLOA1238 48" - SLOA1261	42" - SLOA1238 48" - SLOA1261	Lock Pin - 1 3/8" Dia. - All Others		4	
1H	42" - XB-SPG-020-35 48" - XB-SPG-020-35	42" - XB-SPG-020-35 48" - XB-SPG-020-35	42" - XB-SPG-020-35 48" - XB-SPG-020-35	42" - XB-SPG-020-35 48" - XB-SPG-020-35	Compression Spring		4	
1J	42" - SLOA1269-02 48" - SLOA1269-01	42" - SLOA1269-02 48" - SLOA1269-01	42" - SLOA1269-02 48" - SLOA1269-01	42" - SLOA1269-02 48" - SLOA1269-01	Pull Handle		1	
1K	42" - SLOA1239-01 48" - SLOA1239-02	42" - SLOA1239-01 48" - SLOA1239-02	42" - SLOA1239-01 48" - SLOA1239-02	42" - SLOA1239-01 48" - SLOA1239-02	Pin Pull Rod		4	
1L	42" - XB-PW-016-85 48" - XB-PW-016-85	42" - XB-PW-016-85 48" - XB-PW-016-85	42" - XB-PW-016-85 48" - XB-PW-016-85	42" - XB-PW-016-85 48" - XB-PW-016-85	Washer - 1/2" (Pin Pull Rod)		8	
1M	42" - XB-SLOA1054 48" - XB-SLOA1054	42" - XB-SLOA1054 48" - XB-SLOA1054	42" - XB-SLOA1054 48" - XB-SLOA1054	42" - XB-SLOA1054 48" - XB-SLOA1054	Slider Pad - 96" (long)		2	
1N	42" - SLO523-07 48" - SLO523-07	42" - SLO523-07 48" - SLO523-07	42" - SLO523-07 48" - SLO523-07	42" - SLO523-07 48" - SLO523-07	Spacer		1	
1P	42" - XB-STS-008-16 48" - XB-STS-008-16	42" - XB-STS-008-16 48" - XB-STS-008-16	42" - XB-STS-008-16 48" - XB-STS-008-16	42" - XB-STS-008-16 48" - XB-STS-008-16	Self Tap Screw - 5/16"-18 x 3/4"		16	
1R	42" - XB-HHC-001-33 48" - XB-HHC-001-33	42" - XB-HHC-001-33 48" - XB-HHC-001-33	42" - XB-HHC-001-33 48" - XB-HHC-001-33	42" - XB-HHC-001-33 48" - XB-HHC-001-33	Bolt - 1/2"-13 x 1 1/4"		8	
1S	42" - XB-SLN-012-42 48" - XB-SLN-012-42	42" - XB-SLN-012-42 48" - XB-SLN-012-42	42" - XB-SLN-012-42 48" - XB-SLN-012-42	42" - XB-SLN-012-42 48" - XB-SLN-012-42	Lock Nut - 1/2"-13		8	
2A	90516945	90516945	90516945	90516945	Equalizing Beam LH (bushed beam only)		2	
2B	90001215	90001215	90001215	90001215	Axle Adapter LH (outside)		2	
2C	90501350	90501350	90501350	90501350	Axle Adapter LH (inside)		2	
2D	90036177	90036177	90036177	90036177	Pivot Connection Wear Washer		8	
2E	93201051	93201051	93201051	93201051	Pivot Bolt 1 1/8"-7 x 8 1/2" LG		10	
2F	93400506	93400506	93400506	93400506	Hex Lock Nut - 1 1/8"-7		6	
2G	90008149	90008149	90008149	90008149	Bushing		12	
2H	90036217	90036217	90036217	90036217	Axle Connection Wear Washer		16	
3A	90516946	90516946	90516946	90516946	Equalizing Beam RH (bushed beam only)		2	
3B	90001216	90001216	90001216	90001216	Axle Adapter RH (outside)		2	
3C	90501351	90501351	90501351	90501351	Axle Adapter RH (inside)		2	
4	90557223	90557223	90557223	90557194	Air Spring		4	
5	90045298	90044162	90045299	90045040	Shock Absorber		4	
6	90008238	90008238	90008238	90008238	Alignment Block		2	
7	90508019	90508019	90508019	90508019	Pivot Bolt Assembly		2	
8	90008234	90008234	90008234	90008234	Alignment Plate		4	
9	93003597	93003597	93003597	93003597	Hex Bolt - 3/4"-10 x 3 1/2"		8	
10	93400492	93400492	93400492	93400492	Hex Lock Nut - 3/4"-10		4	
11	93400149	93400149	93400149	93400149	Hex Nut - 3/4"-16		4	
12	93400136	93400136	93400136	93400136	Hex Nut - 1/2"-13		8	
13	93600077	93600077	93600077	93600077	Washer - .78"		8	
14	93600072	93600072	93600072	93600072	Washer - .53"		8	
15	93400367	93400367	93400367	93400367	Square Nut - 3/4"-10		4	
16	93003633	93003633	93003633	93003633	Hex Bolt - 3/4"-10 x 5.0"		4	

* NW = EZ-Align (Non-Welded) style and WA = Welded Alignment style frame brackets.
 ** NSB = Bindley slider box rail style; NSH = Hutch slider box rail style; NST = TTMA slider box rail style; NSU = Utility slider box rail style.
 *** Replacement components should be purchased in bushing connection SRK kits listed in NS Series Parts List, XL-AR321-02.

AIR SUSPENSIONS

Neway CB400 Series





AIR SUSPENSIONS

Neway CB400 Parts List

Item No.	Stoughton Number				Description	Qty.
	CB400-15.5	CB400-16.0	CB400-16.5	CB400-17.0		
1A	NW905-21-743	NW905-21-743	NW905-21-743	NW905-21-743	Frame Bracket (welded)	2
1AA	NW905-21-742	NW905-21-742	NW905-21-742	NW905-21-742	Frame Bracket (SwingAlign)	2
2	NW481-00-449 (SRK585)	NW481-00-449 (SRK585)	NW481-00-449 (SRK585)	NW481-00-449 (SRK585)	Equalizing Beam (roadside kit) Includes items 2, 3A, 3B, 3C, 3D	2
3A	NW932-01-070	NW932-01-070	NW932-01-070	NW932-01-070	Pivot Bolt – 1 1/8"-7 x 8.0" LG GR 8	4
3B	NW936-00-553	NW936-00-553	NW936-00-553	NW936-00-553	Pivot Connection Washer	8
3C	NW900-08-247	NW900-08-247	NW900-08-247	NW900-08-247	Bushing	2
3D	NW934-00-506	NW934-00-506	NW934-00-506	NW934-00-506	Hex Lock Nut – 1 1/8"-7	4
4	NW481-00-450 (SRK586)	NW481-00-450 (SRK586)	NW481-00-450 (SRK586)	NW481-00-450 (SRK586)	Equalizing Beam (curbside kit) Includes items 3A, 3B, 3C, 3D, 4	2
5	NW934-00-492	NW934-00-492	NW934-00-492	NW934-00-492	Hex Lock Nut – 3/4"-10	8
6	NW930-03-597	NW930-03-597	NW930-03-597	NW930-03-597	Hex Bolt – 3/4"-10 x 3.50" GR 5	8
7	NW900-45-298	NW900-45-298	NW900-44-162	NW900-44-162	Shock Absorber	4
8	NW930-02-903	NW930-02-903	NW930-02-903	NW930-02-903	Hex Bolt – 1/2"-10 x 1 1/4"	4
9	NW905-48-007	NW905-48-007	NW905-48-007	NW905-48-007	Threaded Rod Assembly	2
10	NW905-31-339	NW905-31-339	NW905-31-339	NW905-31-339	Alignment Plate	2
11	NW900-45-491	NW900-45-491	NW900-45-491	NW900-45-491	SwingAlign Yoke	2
12	NW934-00-149	NW934-00-149	NW934-00-149	NW934-00-149	Hex Nut – 3/4"-16	4
13	NW936-00-077	NW936-00-077	NW936-00-077	NW936-00-077	Washer – 3/4"	4
14	NW934-00-136	NW934-00-136	NW934-00-136	NW934-00-136	Hex Nut – 1/2"-13	12
15	NW936-00-072	NW936-00-072	NW936-00-072	NW936-00-072	Washer – 1/2"	12
16	NW508-57-000	NW508-57-000	NW508-57-000	NW508-57-000	Air Spring	4
17*	-	-	NW900-36-274	NW900-36-275	Spacer	4

* Single spacer only used on 16.5" and 17.0" ride heights.

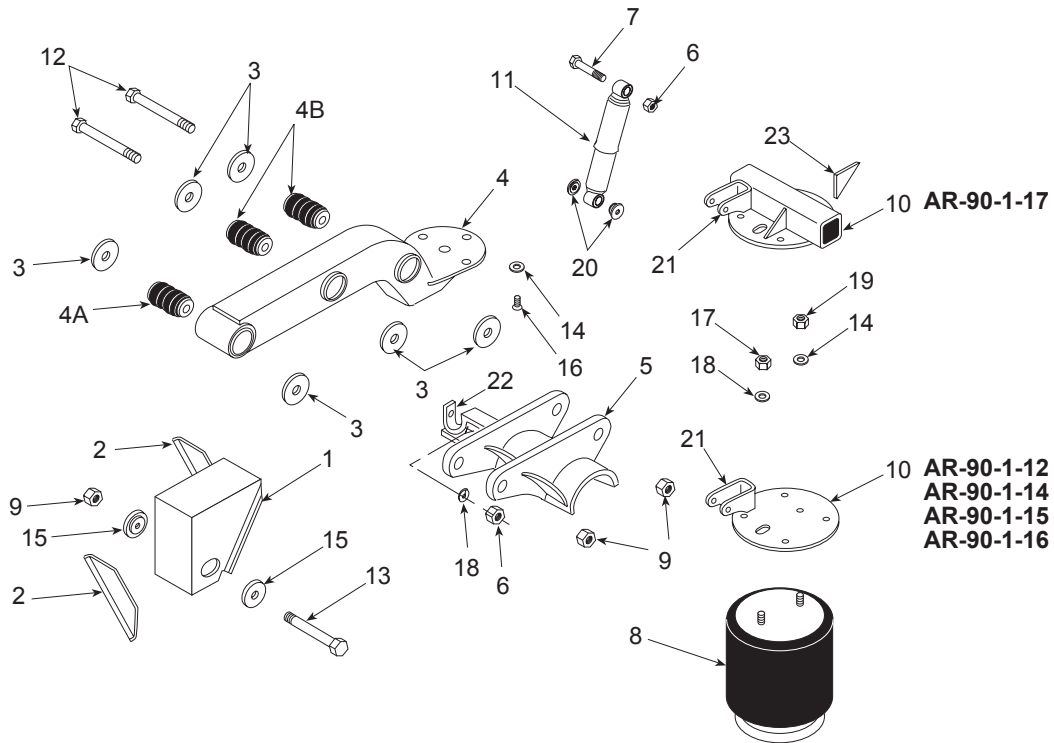
Also available:

Pivot Connection Kit **NW481-00-394 (SRK530)**. Need one per axle.

Swing Align Kit **NW481-00-406 (SRK542)**. Need one kit per roadside Frame Bracket.

AIR SUSPENSIONS

Neway AR-90-1 Series



Parts List Chart B

Item No.	Stoughton Number	Description	Quantity
10	NW905-31-170 NW905-44-818 NW905-44-818 NW905-44-818 NW905-44-830	Air Spring Mounting Plate & Upper Shock Bracket – Left Hand AR-90-1-12 – 5" Round Axle AR-90-1-14 – 5" Round Axle AR-90-1-15 – 5" Round Axle AR-90-1-16 – 5" Round Axle AR-90-1-17 – 5" Round Axle	1
	NW905-31-171 NW905-44-817 NW905-44-817 NW905-44-817 NW905-44-831	Air Spring Mounting Plate & Upper Shock Bracket – Right Hand AR-90-1-12 – 5" Round Axle AR-90-1-14 – 5" Round Axle AR-90-1-15 – 5" Round Axle AR-90-1-16 – 5" Round Axle AR-90-1-17 – 5" Round Axle	1
11	NW900-44-162 NW900-44-162 NW900-44-448 NW900-44-448 NW900-44-162	Shock Absorber AR-90-1-12 – 5" Round Axle AR-90-1-14 – 5" Round Axle AR-90-1-15 – 5" Round Axle AR-90-1-16 – 5" Round Axle AR-90-1-17 – 5" Round Axle	2

Note: Numbers may change or become obsolete without notice.



AIR SUSPENSIONS

Neway AR-90-1 Parts List

Item No.	Stoughton Number	Description	Quantity
1	See Chart A	Frame Bracket – Adjustable Left Hand (shown)	1
	See Chart A	Frame Bracket – Fixed Right Hand	1
2	See Chart A	Angle Brace	4
3	NW900-36-177	Spacer Washer	12
4	NW905-16-500	Equalizing Beam – Left Hand (includes 4A & 4B)	1
	NW905-16-501	Equalizing Beam – Right Hand (includes 4A & 4B)	1
4A	NW900-08-139	Rubber Bushings (front pivot)	2
4B	NW900-08-149	Rubber Bushings (axle connection)	4
5	NW905-01-289	Axle Adapter – Left Hand	1
	NW905-01-290	Axle Adapter – Right Hand	1
6	NW934-00-492	Lock Nut – 3/4"-10	4
7	NW930-03-597	Cap Screw – 3/4"-10 x 3 1/2"	4
8	See Chart A	Air Spring Assembly	2
9	NW934-00-506	Lock Nut – 1 1/8"-7 (SmartNut® Assembly)	6
10	See Chart B	Air Spring Mounting Plate & Upper Shock Bracket Assy.	1
11	See Chart B	Shock Absorber	2
12	NW932-01-051	Cap Screw – 1 1/8"-7 x 8 1/2"	4
13	NW932-01-055	Cap Screw – 1 1/8"-7 x 9 1/4"	2
14	NW936-00-072	Lock Washer – 1/2"	4
15	NW900-08-147	Alignment Bushings	4
16	NW930-02-893	Cap Screw – 1/2"-13 x 1" (AR90-1-12)	4
	NW930-02-993	AR90-1-14 & AR-90-1-17	
	NW930-03-029	AR90-1-15 & AR-90-1-16	
17	NW934-00-149	Hex Nut – 3/4"-16	2
18	NW936-00-077	Lock Washer – 3/4"	2
19	NW934-00-136	Hex Nut – 1/2"-13	2
20	NW905-08-004	Replacement Bushings (4 per shock absorber)	8
21	NW900-18-445	Upper Shock Bracket	2
22	NW905-19-773	Lower Shock Bracket	2
23	NW900-31-182	Gusset (AR-90-1-17 only)	2

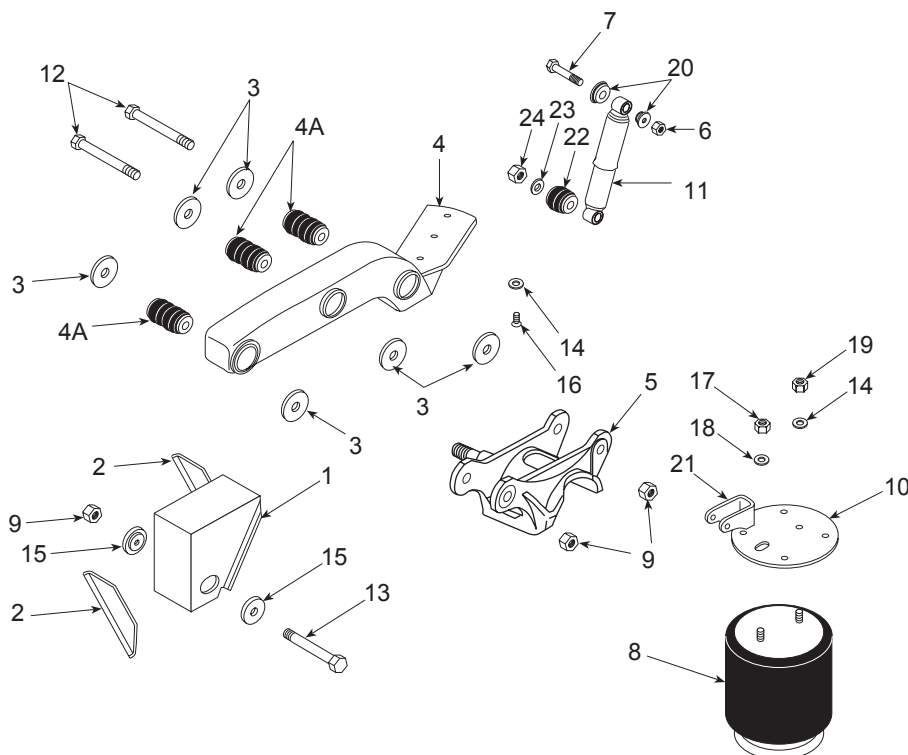
Parts List Chart A

Item No.	Stoughton Number	Description	Quantity
1	NW905-20-219 NW905-19-710 NW905-19-710 NW905-20-235 NW905-19-712	Frame Bracket – Adjustable Left Hand (shown) AR-90-1-12 – 5" Round Axle AR-90-1-14 – 5" Round Axle AR-90-1-15 – 5" Round Axle AR-90-1-16 – 5" Round Axle AR-90-1-17 – 5" Round Axle	1
	NW905-20-220 NW905-19-711 NW905-19-711 NW905-20-828 NW905-19-713	Frame Bracket – Fixed Right Hand (not shown) AR-90-1-12 – 5" Round Axle AR-90-1-14 – 5" Round Axle AR-90-1-15 – 5" Round Axle AR-90-1-16 – 5" Round Axle AR-90-1-17 – 5" Round Axle	1
2	NW900-23-002 NW900-23-002 NW900-23-002 NW900-23-001 NW900-23-001	Angle Brace AR-90-1-12 – 5" Round Axle AR-90-1-14 – 5" Round Axle AR-90-1-15 – 5" Round Axle AR-90-1-16 – 5" Round Axle AR-90-1-17 – 5" Round Axle	4
8	FS9463 FS9362 FS9463 FS9304 FS9304 FS9362	Air Spring Assembly AR-90-1-12 – 5" Round Axle – Left Hand AR-90-1-14 – 5" Round Axle AR-90-1-12 – 5" Round Axle – Right Hand AR-90-1-15 – 5" Round Axle AR-90-1-16 – 5" Round Axle AR-90-1-17 – 5" Round Axle	2

Note: Numbers may change or become obsolete without notice.

AIR SUSPENSIONS

Neway RL-196 Series



Parts List Chart A

Item No.	Stoughton Number	Description	Quantity
1	NW905-20-846 NW905-20-620 NW905-21-142 NW905-20-340 NW905-20-340	Frame Bracket – Adjustable RL-196-12 RL-196-14 RL-196-15 RL-196-16 RL-196-17	2
2	NW900-23-002 NW900-23-002 NW900-23-002 NW900-23-001 NW900-23-001	Angle Brace RL-196-12 RL-196-14 RL-196-15 RL-196-16 RL-196-17	4
8	FS9294 FS9293 FS9295 FS9295 FS9291	Air Spring Assembly RL-196-12 RL-196-14 RL-196-15 RL-196-16 RL-196-17	2
11	NW900-44-977 NW900-44-978 NW900-44-978 NW900-44-979 NW900-44-979	Shock Absorber RL-196-12 RL-196-14 RL-196-15 RL-196-16 RL-196-17	2
16	NW930-02-921 NW930-02-969 NW930-02-993 NW930-02-993 NW930-03-029	Cap Screw RL-196-12 – Cap Screw – 1/2"-13 x 2" RL-196-14 – Cap Screw – 1/2"-13 x 4" RL-196-15 – Cap Screw – 1/2"-13 x 5" RL-196-16 – Cap Screw – 1/2"-13 x 5" RL-196-17 – Cap Screw – 1/2"-13 x 6 1/2"	2

Note: Numbers may change or become obsolete without notice.



AIR SUSPENSIONS

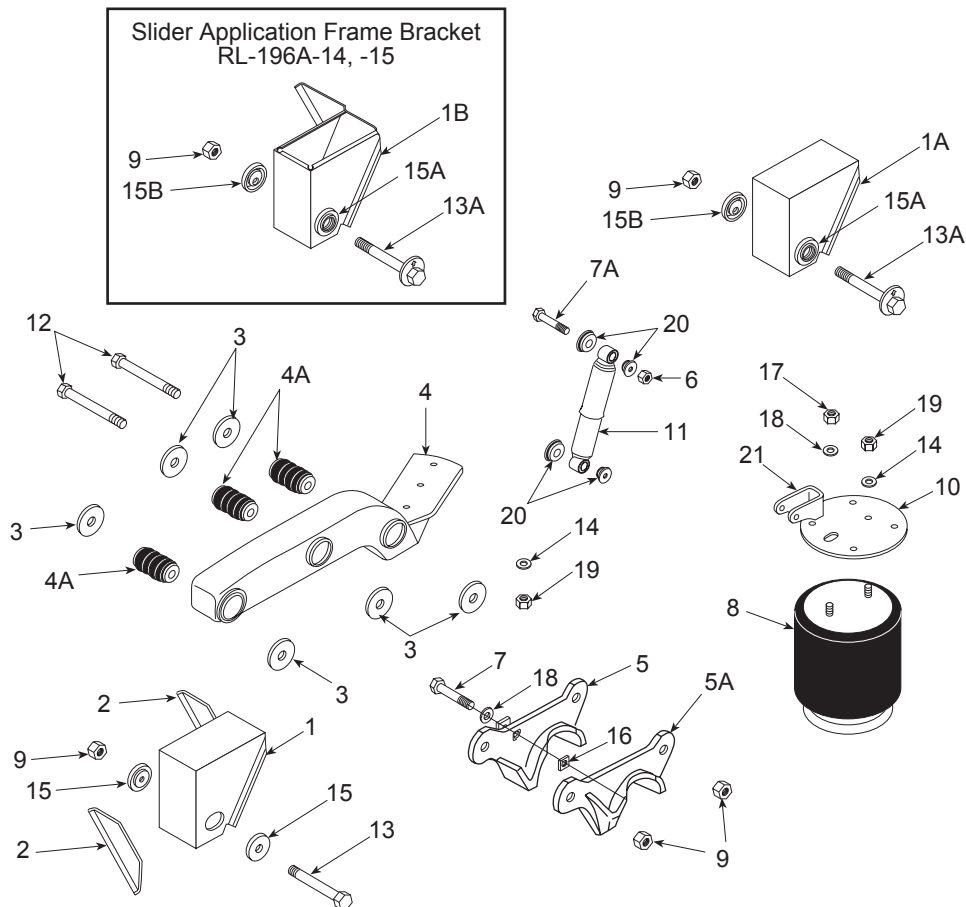
Neway RL-196 Parts List

Item No.	Stoughton Number	Description	Quantity
1	See Chart A	Frame Bracket – Adustable	2
2	See Chart A	Angle Brace	4
3	NW900-36-177	Spacer Washer	12
4	NW905-16-542	Equalizing Beam – Left Hand (Includes 4A)	1
	NW905-16-543	Equalizing Beam – Right Hand (Includes 4A)	1
4A	NW900-08-149	Rubber Bushing	6
5	NW481-00-291	Axle Adapter – Left Hand 5" Round Axle	1
	NW481-00-292	Axle Adapter – Right Hand 5" Round Axle	1
6	NW934-00-492	Lock Nut – 3/4"-10	2
7	NW930-03-597	Cap Screw – 3/4"-10 x 3 1/2"	2
8	See Chart A	Air Spring Assembly	2
9	NW934-00-506	Lock Nut – 1 1/8"-7	6
10	NW905-31-204	Air Spring Mounting Plate & Upper Shock Bracket Assy. – Left Hand	1
	NW905-31-205	Air Spring Mounting Plate & Upper Shock Bracket Assy. – Right Hand	1
11	See Chart A	Shock Absorber	2
12	NW932-01-051	Cap Screw – 1/8"-7 x 8 1/2"	4
13	NW932-01-055	Cap Screw – 1/8"-7 x 9 1/4"	2
14	NW936-00-072	Lock Washer – 1/2"	4
15	NW900-08-147	Alignment Bushings	4
16	See Chart A	Cap Screw	2
17	NW934-00-149	Hex Nut – 3/4"-16	2
18	NW936-00-077	Lock Washer – 3/4"	2
19	NW934-00-136	Hex Nut – 1/2"-13	2
20	NW905-08-004	Replacement Bushings (4 per shock absorber)	4
21	NW900-18-445	Upper Shock Bracket	2
22	NW900-08-182	Rubber Bushing – Lower Shock Connector	2
23	NW936-00-168	Flat Washer 1"	1
24	NW934-00-500	Lock Nut – 1"-8	2

Note: Numbers may change or become obsolete without notice.

AIR SUSPENSIONS

Neway RL-196A-12, -14, -15, -16 and -17 Series



Parts List Chart A

Item No.	Stoughton Number	Description	Quantity
1	NW905-20-846 NW905-20-568 *NW905-20-561 *NW905-20-843	Frame Bracket – “Weld Align” RL-196A-12 RL-196A-14 RL-196A-15 RL-196A-16, 17	2*
1A	*NW905-20-859 NW905-20-858 *NW905-20-856 *NW905-20-857	Non-Weld (EZ-ALIGN™) Frame Bracket LH (Includes 15A) RL-196-12 RL-196-14 RL-196-15 RL-196-16, 17	1
1B**	NW905-20-363 *NW905-20-338	Adjustable Frame Bracket RH – “Weld Align” RL-196-14 (Slider) RL-196-15 (Slider)	1
1B**	NW905-20-858 NW905-20-473	Non-Weld (EZ-ALIGN™) Frame Bracket LH (Includes 15A) RL-196-14 (Slider) RL-196-15 (Slider)	1

* For Non-Weld (EZ-ALIGN™) application reduce quantity used per axle to the following: quantity 2 changes to 1, quantity 4 changes to 2.

** For 16" and 17" ride height applications, use the standard Frame Brackets listed (Adjustable and/or Non-Weld alignments).

Note: Numbers may change or become obsolete without notice.

Contact Stoughton Parts Sales or Holland USA / Neway Technical Assistance with any questions



AIR SUSPENSIONS

Neway RL-196A-12, -14, -15, -16 and -17 Parts List

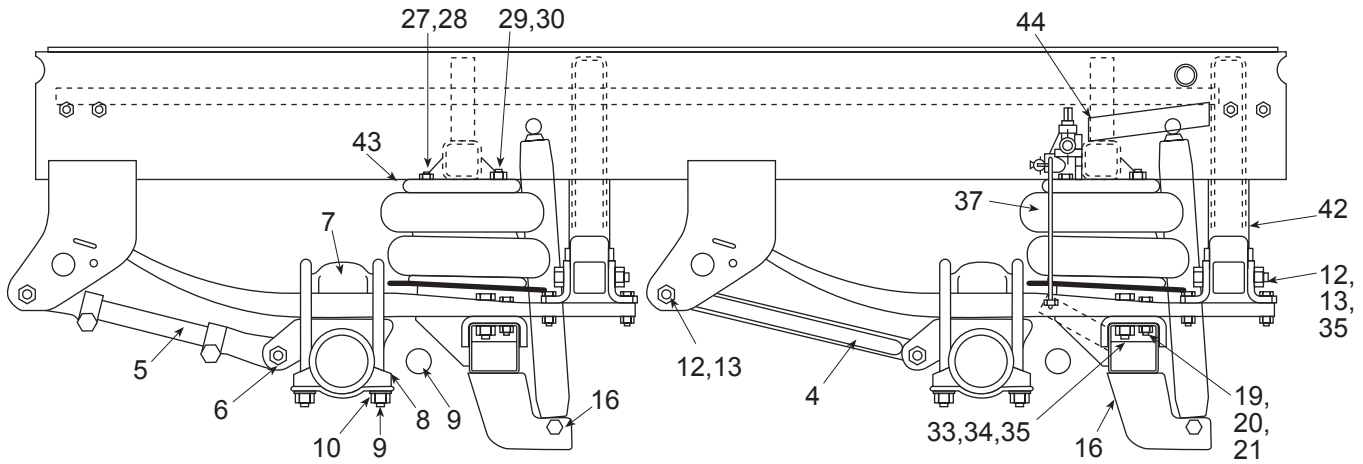
Item No.	Stoughton Number	Description	Quantity	Ride Height
1	See Chart A	Adjustable Frame Bracket	2	
1A	See Chart A	Non-Weld (EZ-ALIGN™) Frame Bracket LH (Includes 15A)	1	
1B	See Chart A	Adjustable Frame Bracket RH	1	
1B	See Chart A	Non-Weld (EZ-ALIGN™) Frame Bracket LH (Includes 15A)	1	
2	NW900-25-257	Angle Brace	4	12
2	NW900-23-002	Angle Brace	4	14, 15
2	NW900-23-001	Angle Brace	4	16, 17
3	NW900-36-177	Spacer Washer	12	All
4	NW905-16-542	Equalizing Beam LH (includes key #4A)	1	All
4	NW905-16-543	Equalizing Beam RH (includes key #4A)	1	All
4A	NW900-08-149	Rubber Bushing	6	All
5	NW905-01-261	Axle Adapter LH (inside)	1	All
5	NW905-01-262	Axle Adapter RH (inside)	1	All
5A	NW900-01-215	Axle Adapter LH (outside)	1	All
5A	NW900-01-216	Axle Adapter RH (outside)	1	All
6	NW934-00-492	Lock Nut – 3/4"-10	2	All
7	NW930-03-609	Cap Screw – 3/4"-10 x 4" Gr5 (lower shock bracket)	2	All
7A	NW930-03-597	Cap Screw – 3/4"-10 x 3 1/2" Gr5 (upper shock bracket)	2	All
8	NW905-57-173	Air Spring Assembly	2	12
8	FS9293	Air Spring Assembly	2	14
8	FS9295	Air Spring Assembly	2	15, 16
8	NW905-57-139	Air Spring Assembly	2	17
9	NW934-00-506	Lock Nut – 1 1/8"-7	6	All
10	NW900-33-785	Air Spring Mounting Plate	2	All
11	NW900-44-162	Shock Absorber	2	12
11	NW900-45-040	Shock Absorber	2	14, 15
11	NW900-44-794	Shock Absorber	2	16, 17
12	NW932-01-051	Cap Screw – 1 1/8"-7 x 8 1/2" Gr8	4	
13	NW932-01-055	Cap Screw – 1 1/8"-7 x 9 1/4" Gr8	2*	All
13A	NW905-08-009	Cap Screw – 1 1/8"-7 x 9 1/4" (non-weld application)	1	All
14	NW936-00-072	Lock Washer – 1/2"	4*	All
15	NW900-08-147	Alignment Bushing	4*	All
15A	NW900-08-185	Alignment Bushing (non-weld application) (not available)	2	All
15B	NW900-08-196	Alignment Bushing (non-weld application)	1	All
16	NW934-00-367	Square Nut – 3/4"-10	2	All
17	NW934-00-149	Hex Nut – 3/4"-16	2	All
18	NW936-00-077	Lock Washer – 3/4"	4	All
19	NW934-00-136	Hex Nut – 1/2"-13	4	All
20	NW905-08-004	Replacement Shock Bushing	8	All
21	NW900-18-445	Upper Shock Bracket	2	All
Service Repair Kits				
	NW481-00-206	SRK-149 – Axle Connection (5" round, 20" wheel)	1	All
	NW481-00-264	SRK-203 – Pivot Connection, Adjustable	1	All
	NW481-00-295	SRK-233 – Pivot Connection, Non-Weld	1	All

* For Non-Weld (EZ-ALIGN™) application reduce quantity used per axle to the following: quantity 2 changes to 1, quantity 4 changes to 2.

Note: Numbers may change or become obsolete without notice.

AIR SUSPENSIONS

Reyco 86AR / RS1015 Air Ride



LOCKPINS & COMPRESSION SPRINGS

Rail Mfg.	Stoughton Number	
	Lockpin	Compression Spring
Binkely	RT19753-01*	RT19638-01
Hutch	RT19630-01**	RT19638-01

* After 02-00, use RT20740-02

** After 02-00, use RT20740-01

HANGERS

Stoughton Number	Size	Remarks
RT22662-01	8 1/2"	1997 - Newer
RT1605-00	7 1/2"	Now Obsolete & Unavailable

PULL HANDLE

Stoughton Number
RT21225-48

SLIDER CLIPS

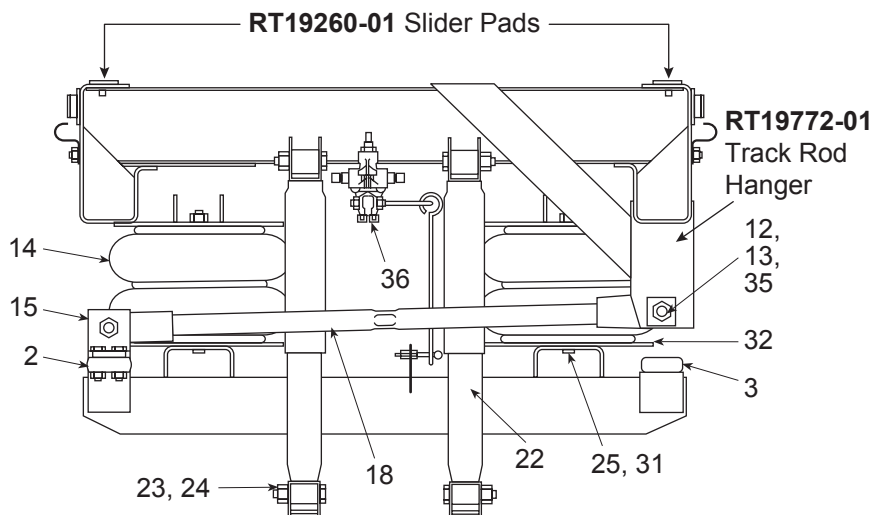
Stoughton Number
RT19766-01

AFTERMARKET PNEUMATIC PIN PULLER "KIT"

Stoughton Number
RT703334-01

Note: Reyco no longer offers slider rails.

Rear View





AIR SUSPENSIONS

Reyco 86AR / RS1015 Air Ride Parts List

Item No.	Stoughton Number	Description	Quantity (Tandem)
2	RT19913-01	Left Beam	2
3	RT19914-01	Right Beam	2
4	RT0075-20	Rigid Torque Arm	2
5	RT1035-20	Adjustable Torque Arm	2
6	See Chart A	Axle Seat	4
7	RT23334-01	Top Plate	4
8	See Chart A	Bottom Plate (5" Round Axle)	4
9	See Chart A	U-Bolt (5" Round Axle)	8
10	RT14344-01	Locknut – 3/4" (19.0 mm)	16
11	RTT5496	Washer – 3/4" (19.0 mm)	16
12	RT0001-08	Torque Arm Bolt – 7/8" (22.2 mm)	12
13	RT14345-01	Locknut – 7/8" (22.2 mm)	12
14	RT20018-01	Air Spring – Same as FS7555	4
15	RT21491-01	Track Rod Bracket	4
16	RT19788-02	Air Spring Support – 72" Axle Spacing, 42" Frame Width	2
	RT19789-02	Air Spring Support – 72" Axle Spacing, 48" Frame Width	2
18	RT20012-01	Track Rod (rigid) – 72" Axle Spacing, 42" Frame Width	2
	RT10910-01	Track Rod (rigid) – 72" Axle Spacing, 48" Frame Width	2
19	RT17353-01	Bolt – 1/2" (12.7 mm) – Grade 8	12
20	RT0002-05	Locknut – 1/2" (12.7 mm)	12
21	RT0003-07	Washer – 1/2" (12.7 mm)	12
22	GF85006	Shock Absorbers – Same as GF 85006	4
23	RT0821001	Shock Absorber Bolt	8
24	RT14344-01	Shock Absorber Nut	8
25	RTT5496	Washer – 3/4" (19.0 mm)	8
26	RT20029-01	Nut – 3/8" (9.5 mm)	8
27	RT12920-01	Nut – 1/2" (12.7 mm)	4
28	RTT1705	Lockwasher – 1/2" (12.7 mm)	4
29	RT08211-01	Nut – 3/4" (19.0mm)	4
30	RTT3164	Lockwasher – 3/4" (19.0 mm)	4
31	RTT1859	Lockwasher – 3/8" (9.5 mm)	8
32	RT1979001	Lower Air Spring Plate	4
33	RT18842-01	Bolt – 7/8"-14 x 3" (22.2 mm-14 x 76.2 mm)	4
34	RT14345-01	Locknut – 7/8" (22.2 mm)	4
35	RTT7292	Washer – 7/8" (22.2 mm)	4
36	RT23329-01	1/4" (6.4 mm) Height Control Valve	1
	RT23329-02	3/8" (9.5 mm) Height Control Valve	1
37	RT19354-159	Height Control Valve Link	1
41	Call	Self Tapping Screw – 1/4" x 2 1/2" (12.7mm x 63.5mm)	2
	RT12915-03	Pressure Protection Valve	1
	Call	Filter	1

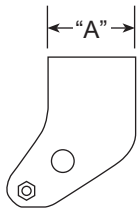
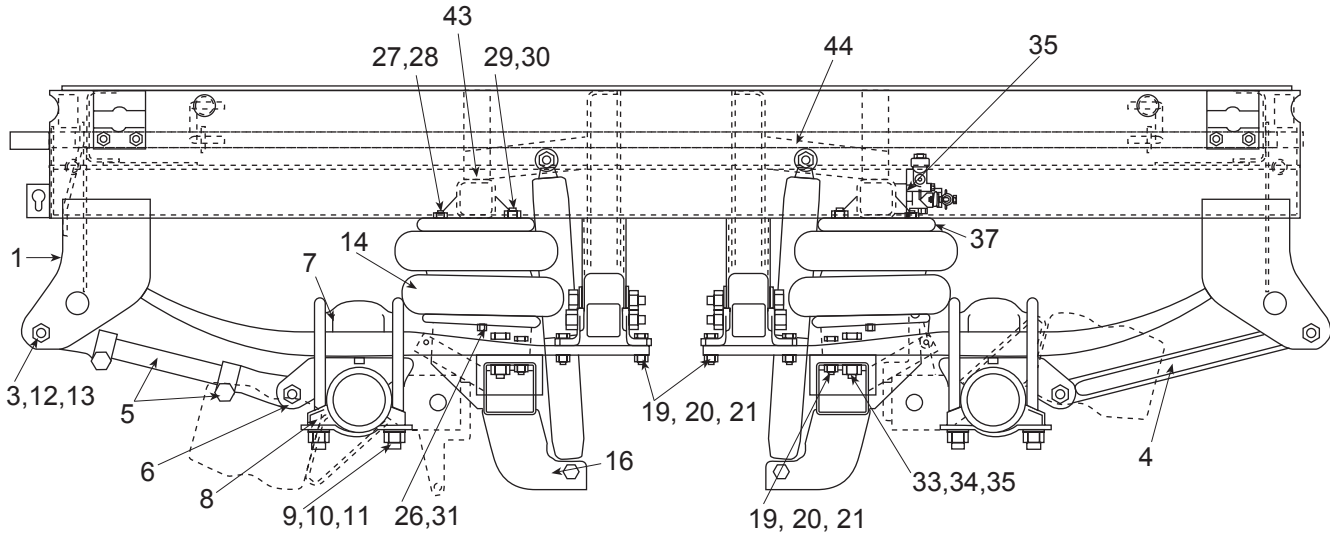
Chart A - 86AR Axle Seat - 5" Round Axle

Mounting Height	(6) Axle Seat	(8) Bottom Plate	(9) U-Bolt	U-Bolt Length
14"	0636-01	0538-00	19780110	11"
14 1/2"	0636-015	0538-00	19780115	11 1/2"
15"	0636-02	0538-00	19780120	12"
15 1/2"	0636-025	0538-00	19780125	12 1/2"
16"	0636-03	0538-00	19780130	13"
16 1/2"	0636-035	0538-00	19780135	13 1/2"
17"	0636-04	0538-00	19780140	14"

0836 (series) obsolete, superseded by 0636 (series)

AIR SUSPENSIONS

Reyco 86AR-RS1035 Anti Dock Walk



HANGER, FRONT TO BACK

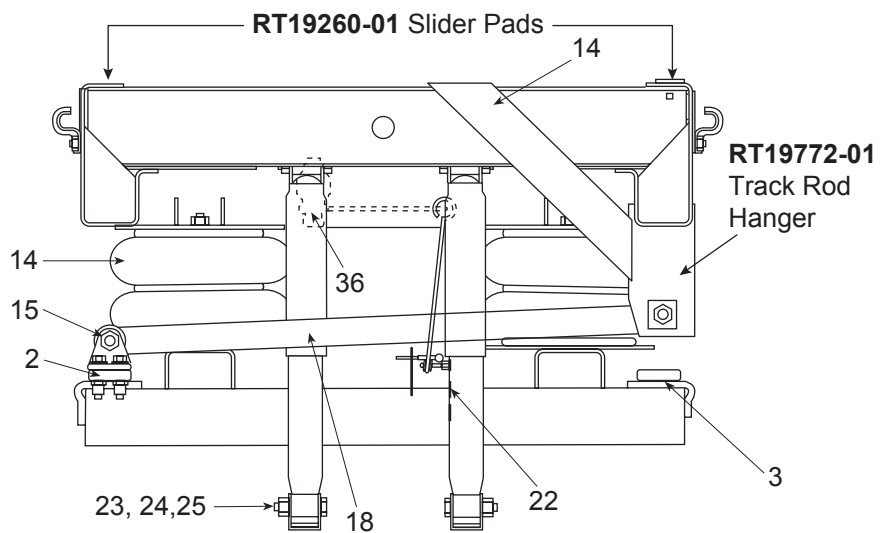
Stoughton Number	"A"	Description
RT22662-01	8 1/2"	New Style

PULL HANDLE

Stoughton Number
RT21225-48

SLIDER CLIPS

Stoughton Number
RT19766-01



LOCKPINS & COMPRESSION SPRINGS

Rail Mfg.	Stoughton Number	
	Lockpin	Compression Spring
Binkely	RT19753-01*	RT19638-01
Hutch	RT19630-01**	RT19638-01

* After 02-00, use RT20740-02

** After 02-00, use RT20740-01



AIR SUSPENSIONS

Reyco 86AR-RS1035 Anti Dock Walk Parts List

Item No.	Stoughton Number	Description	Quantity (Tandem)
1	RT21580-42	Slider/Hanger Assembly – 49" Axle Spacing, 42" Frame Width	1
	RT21580-48	Slider/Hanger Assembly – 49" Axle Spacing, 48" Frame Width	1
2	RT19913-01	Left Beam	2
3	RT19914-01	Right Beam	2
4	RT0075-20	Rigid Torque Arm	2
5	RT1035-20	Adjustable Torque Arm	2
6	See Chart A	Axle Seat (5" Round Axle)	4
7	RT23334-01	Top Plate	4
8	See Chart A	Bottom Plate (5" Round Axle)	4
9	See Chart A	U-Bolt (5" Round Axle)	8
10	RT14344-01	Locknut – 3/4" (19.0 mm)	16
11	RTT5496	Washer – 3/4" (19.0 mm)	16
12	RT0001-08	Bolt, Torque Arm – 7/8" (22.2 mm)	12
13	RT14345-01	Locknut – 7/8" (22.2 mm)	12
14	RT20018-01	Air Spring – Same as FS 7555	4
15	RT21491-01	Track Rod Bracket	4
16	RT19788-02	Air Spring Support – 49" Axle Spacing, 42" Frame Width	2
	RT19789-02	Air Spring Support – 49" Axle Spacing, 48" Frame Width	2
	RT19788-02	Air Spring Support – 72" Axle Spacing, 42" Frame Width	2
	RT19789-02	Air Spring Support – 72" Axle Spacing, 48" Frame Width	2
18	RT20012-01	Track Rod – 49" or 72" Axle Spacing, 42" Frame Width	2
	RT10910-01	Track Rod – 49" or 72" Axle Spacing, 48" Frame Width	2
19	RT17353-01	Bolt – 1/2" (12.7 mm) – Grade 8	12
20	RT0002-05	Locknut – 1/2" (12.7 mm)	12
21	RT0003-07	Washer – 1/2" (12.7 mm)	12
22	GF85006	Shock Absorbers	4
23	RT0821001	Shock Absorber Bolt	8
24	RT14344-01	Shock Absorber Nut	8
25	RTT5496	Washer – 3/4" (19.0 mm)	8
26	RT20029-01	Nut – 3/8" (9.5 mm)	8
27	RT12920-01	Nut – 1/2" (12.7 mm)	4
28	RTT1705	Lockwasher – 1/2" (12.7 mm)	4
29	RT08211-01	Nut – 3/4" (19.0 mm)	4
30	RTT3164	Lockwasher – 3/4" (19.0 mm)	4
31	RTT1859	Lockwasher – 3/8" (9.5 mm)	8
33	RT18842-01	Bolt – 7/8" (22.2 mm) -14 x 3" (76.2 mm)	4
34	RT14345-01	Locknut – 7/8" (22.2 mm)	4
35	RTT7292	Washer – 7/8" (22.2 mm)	8
36A	RT23329-01	1/4" Height Control Valve & Linkage	1
36B	RT20108-02	3/8" Height Control Valve & Linkage	1
41	RT20161-01	Self Tapping Screw – 1/4" (12.7 mm) x 2 1/2" (63.5 mm)	2

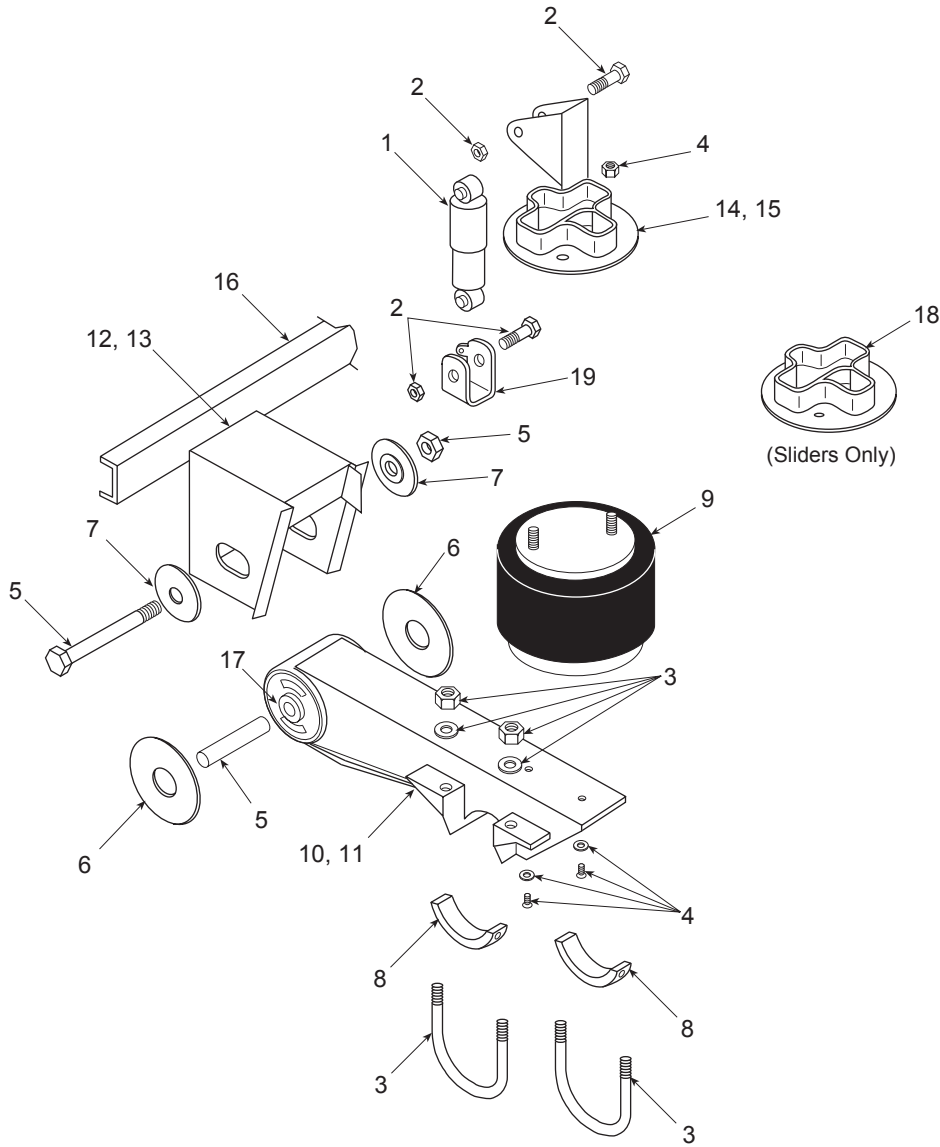
Chart A - 86AR Axle Seat - 5" Round Axle

Mounting Height	(6) Axle Seat	(8) Bottom Plate	(9) U-Bolt	U-Bolt Length
14"	0636-01	0538-00	19780110	11"
14 1/2"	0636-015	0538-00	19780115	11 1/2"
15"	0636-02	0538-00	19780120	12"
15 1/2"	0636-025	0538-00	19780125	12 1/2"
16"	0636-03	0538-00	19780130	13"
16 1/2"	0636-035	0538-00	19780135	13 1/2"
17"	0636-04	0538-00	19780140	14"

0836 (series) obsoleted. Superseded by 0636 (series)

AIR SUSPENSIONS

Hendrickson / Turner Model 190



Note: For a K-Frame Slider, use Air Bag **HTC-22045** or call Hendrickson customer support.

SLIDER CLIPS

Stoughton Number

HTS-14108



AIR SUSPENSIONS

Hendrickson / Turner Model 190 Parts List

Item No.	Stoughton Number	Description	Quantity
1	HTS-20001	Shock Absorber	2
2	HTS-20031/2	Shock Bolt Kit	1
3	HTS-20032	U-Bolt Kit	1
4	HTS-20033/2	Air Spring Bolt Kit	1
5	HTS-3646	Pivot Bolt Kit	2
6	HTS-11613	Bushing Wear Pad	4
7	HTS-20700	Alignment Collar	4
8	HTS-20701	Axle Spacer	4
9	HTS-20010	Air Spring	2
10	HTS-20000-1	Beam & Bushing – Left Hand	1
11	HTS-20000-2	Beam & Bushing – Right Hand	1
12	See Chart B	Frame Bracket Assembly – Left Hand	1
13	See Chart B	Frame Bracket Assembly – Right Hand	1
14	See Chart A	Mount, Air Spring/Shock – Left Hand	1
15	See Chart A	Mount, Air Spring/Shock – Right Hand	1
16	HTA-1631-19	Frame Bracket Channel	1
17	HTS-6914	Tri-functional Bushing Kit	2
18	HTC-20016-1	Air Spring Spacer – Model 15-002	2
	HTC-20016-2	Air Spring Spacer – Model 16-002	2
	HTC-20016-3	Air Spring Spacer – Model 17-002	2
19	HTC-20069	Lower Shock Clevis	2

Parts List Chart A

Item No.	Stoughton Number	Description
14		Mtg. Air Spring/Shock – Left Hand
	HTC20011-1 HTS20023 HTB20035	Model 14-003 Assembly Upper Shock Bracket Air Spring Plate
	HTC20012-1 HTS20023 HTC20016-1	Model 15-003 Assembly Upper Shock Bracket Air Spring Plate
	HTC20013-1 HTS20023 HTC20016-2	Model 16-003 Assembly Upper Shock Bracket Air Spring Plate
	HTC20014-1 HTS20023 HTC20016-3	Model 17-003 Assembly Upper Shock Bracket Air Spring Plate

Item No.	Stoughton Number	Description
15		Mtg. Air Spring/Shock – Right Hand
	HTC20011-2 HTC20023 HTC20035	Model 14-003 Assembly Upper Shock Bracket Air Spring Plate
	HTC20012-2 HTC20023 HTC20016-1	Model 15-003 Assembly Upper Shock Bracket Air Spring Plate
	HTC20013-2 HTC20023 HTC20016-2	Model 16-003 Assembly Upper Shock Bracket Air Spring Plate
	HTC20014-2 HTC20023 HTC20016-3	Model 17-003 Assembly Upper Shock Bracket Air Spring Plate

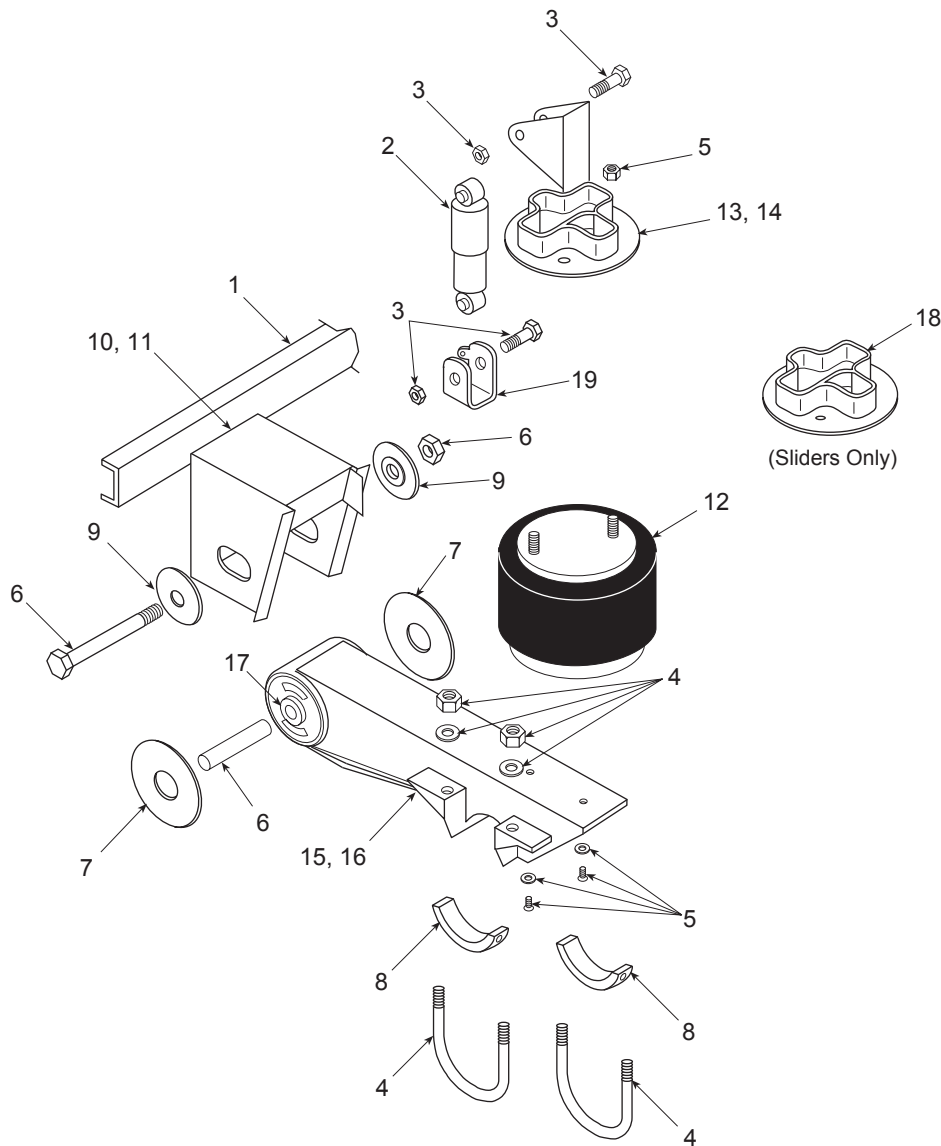
Parts List Chart B

Item No.	Stoughton Number	Description
12		Frame Bracket – Left Hand
	HTC-15027-1	Model 14-001 Model 14-002 Model 15-001 Model 15-002
	HTC-15027-1	Model 14-003 Model 15-003
	HTC-15028-1	Model 16-001 Model 16-002 Model 17-001 Model 17-002
	HTC-15028-1	Model 16-003 Model 17-003

Item No.	Stoughton Number	Description
13		Frame Bracket – Right Hand
	HTC-15027-2	Model 14-001 Model 14-002 Model 15-001 Model 15-002
	HTC15027-2	Model 14-003 Model 15-003
	HTC15028-2	Model 16-001 Model 16-002 Model 17-001 Model 17-002
	HTC15028-2	Model 16-003 Model 17-003

AIR SUSPENSIONS

Hendrickson / Turner Model 230



Item No.	Stoughton Number	Description	Quantity
1	HTA1631-19	Frame Bracket Channel	1
2	HTS20002	Shock Absorber	2
3	HTS20031/2	Shock Bolt Kit	1
4	HTA20032	U-Bolt Kit	1
5	HTS20033/2	Air Spring Bolt Kit	1
6	HTS3646	Pivot Bolt Kit	2
7	HTS11613	Bushing Wear Pad	4
8	HTB20701	Axle Spacer	4
9	HTS2770	Alignment Collar	4
10	See Chart B	Frame Bracket Assembly – Left Hand	1
11	See Chart B	Frame Bracket Assembly – Right Hand	1
12	HTS20010	Air Spring	2
13	See Chart A	Mount, Air Spring/Shock – Left Hand	1
14	See Chart A	Mount, Air Spring/Shock – Right Hand	1
15	HTS20000-1	Beam & Bushing – Left Hand	1
16	HTS20000-2	Beam & Bushing – Right Hand	1
17	HTS6914	Tri-functional Bushing Kit	2
18	HTC20016-2	Air Spring Spacer – Model 16-004	2
19	HTC20069	Lower Shock Clevis	2



AIR SUSPENSIONS

Hendrickson / Turner Model 230 Parts List

Parts List Chart A

Item No.	Stoughton Number	Description
13		Mtg. Air Spring/Shock – Left Hand
	HTC20011-1 HTS20023 HTB20035	Models 14-001 & 15-003 Assy Upper Shock Bracket Air Spring Plate
	HTC20015-1 HTS20023 HTC20037	Models 14-002 & 15-004 Assy Upper Shock Bracket Air Spring Plate
	HTC20021-1 HTS20023 HTC20016-1	Models 15-001 & 15-005 Assy Upper Shock Bracket Air Spring Plate
	HTC20040-1 HTS20023 HTC20043-1	Model 15-002 Assembly Upper Shock Bracket Air Spring Plate
	HTC20013-1 HTC20023 HTC20016-2	Models 16-001, 17-003 & 17-005 Assy Upper Shock Bracket Air Spring Plate
	HTC20041-1 HTC20023 HTC20043-2	Models 16-002, 17-004 & 17-006 Assy Upper Shock Bracket Air Spring Plate
	HTC20014-1 HTC20023 HTC20016-3	Model 17-001 Assembly Upper Shock Bracket Air Spring Plate
	HTC20042-1 HTC20023 HTC20043-2	Model 17-002 Assembly Upper Shock Bracket Air Spring Plate

Item No.	Stoughton Number	Description
14		Mtg. Air Spring/Shock – Right Hand
	HTC20011-2 HTS20023 HTB20035	Models 14-001 & 15-003 Assy Upper Shock Bracket Air Spring Plate
	HTC20015-2 HTS20023 HTC20037	Models 14-002 & 15-004 Assy Upper Shock Bracket Air Spring Plate
	HTC20021-2 HTS20023 HTC20016-1	Models 15-001 & 15-005 Assy Upper Shock Bracket Air Spring Plate
	HTC20040-2 HTS20023 HTC20043-1	Model 15-002 Assembly Upper Shock Bracket Air Spring Plate
	HTC20013-2 HTS20023 HTC20016-2	Models 16-001, 17-003 & 17-005 Assy Upper Shock Bracket Air Spring Plate
	HTC20041-2 HTS20023 HTC20043-2	Models 16-002, 17-004 & 17-006 Assy Upper Shock Bracket Air Spring Plate
	HTC20014-2 HTS20023 HTC20016-3	Model 17-001 Assembly Upper Shock Bracket Air Spring Plate
	HTC20042-2 HTS20023 HTC20043-2	Model 17-002 Assembly Upper Shock Bracket Air Spring Plate

Parts List Chart B

Item No.	Stoughton Number	Description
10		Frame Bracket – Left Hand
	HTC20005-1	Model 14-001 Model 15-001 Model 15-003 Model 15-005
	HTC20007-1	Model 14-002 Model 15-002 Model 15-004
	HTC20047-1	Model 14-003 Model 14-004
	HTC20006-1	Model 16-001 Model 17-001 Model 17-003 Model 17-005
	HTC20008-1	Model 16-002 Model 17-002 Model 17-004
	HTC20048-1	Model 16-003 Model 16-004 Model 17-006

Item No.	Stoughton Number	Description
11		Frame Bracket – Right Hand
	HTC20005-2	Model 14-001 Model 15-001 Model 15-003 Model 15-005
	HTC20007-2	Model 14-002 Model 15-002 Model 15-004
	HTC20047-2	Model 14-003 Model 14-004
	HTC20006-2	Model 16-001 Model 17-001 Model 17-003 Model 17-005
	HTC20008-2	Model 16-002 Model 17-002 Model 17-004
	HTC20048-2	Model 16-003 Model 16-004 Model 17-006



AIR SPRINGS

Crossover Chart From Conti-Tech to Industry Common Numbers

Conti-Tech Number	Industry Common Number
CON7555	W01-358-7555
CON8050	W01-358-8050
CON8204	W01-358-8204
CON8709	HTS-21800
CON8709	W01-358-8709
CON8713	HTS-22948
CON8729	W01-358-8729
CON8755	HTS-22045
CON8755	W01-358-8755
CON8944	W01-358-8944
CON9039	W01-358-9039
CON9082	W01-358-9082
CON9101	W01-358-9101
CON9243	W01-358-9243
CON9265	W01-358-9265
CON9270	HTS-20010
CON9270	W01-358-9270
CON9293	W01-358-9293
CON9295	W01-358-9295
CON9307	W01-358-9307
CON9321	W01-358-9321
CON9362	W01-358-9362
CON9365	W01-358-9365
CON9366	W01-358-9366
CON9394	W01-358-9394
CON9484	W01-358-9484
CON9580	HTS-20127
CON9640	W01-358-9640
CON9780	W01-358-9780
CON9807	NW508-57-000

Conti-Tech Number	Industry Common Number
CON9921	W01-358-9921
CON9923	W01-358-9923
CON9270	HTS-20010
CON9580	HTS-20127
CON8709	HTS-21800
CON8755	HTS-22045
CON8713	HTS-22948
CON9807	NW508-57-000
CON7555	W01-358-7555
CON8050	W01-358-8050
CON8204	W01-358-8204
CON8709	W01-358-8709
CON8729	W01-358-8729
CON8755	W01-358-8755
CON8944	W01-358-8944
CON9039	W01-358-9039
CON9082	W01-358-9082
CON9101	W01-358-9101
CON9243	W01-358-9243
CON9265	W01-358-9265
CON9270	W01-358-9270
CON9293	W01-358-9293
CON9295	W01-358-9295
CON9307	W01-358-9307
CON9321	W01-358-9321
CON9362	W01-358-9362
CON9365	W01-358-9365
CON9366	W01-358-9366
CON9394	W01-358-9394
CON9484	W01-358-9484
CON9640	W01-358-9640
CON9780	W01-358-9780
CON9921	W01-358-9921
CON9923	W01-358-9923



AIR SPRINGS Crossover Chart

Firestone Number	Neway Number	Goodyear Number	Hendrickson / Turner Number
FS5505	905-57-103	*	*
FS6803	*	*	HTS-6412
FS6890	905-57-228	*	*
FS6902	*	2B9-201	*
FS6905	*	2B9-206	S-3518 / S-5270
FS7135	905-57-001	2B14-360	*
FS7136	*	2B14-356	S-1080
FS7140	*	2B14-359	S-3184
FS7400	905-57-016	2B12-309	S-1013
FS7403	*	2B12-307	S-1159 / S-2883
FS7405	*	2B12-313	*
FS7410	*	2B12-406	*
FS7424	905-57-014	2B12-300	*
FS7798	*	3B14-356	*
FS8050	*	1R14-039	S-4771
FS8204	905-57-223	*	*
FS8708	*	*	S-21966
FS8709	*	*	S-20900
FS8746	905-57-235	*	*
FS8755	*	*	S-22045
FS8803	905-57-94	*	*
FS8944	*	*	S-20217
FS8949	905-57-150	*	*
FS9039	905-57-023	*	S-2064 / S-11650
FS9069	*	1R12-069	*
FS9082	905-57-027	1R12-093	S-2066 / B-11651
FS9083	*	1R12-066	S-1561
FS9098	*	1R12-014	*
FS9101	905-57-009	*	*
FS9105	*	*	S-1245
FS9121	905-57-078	*	*
FS9122	905-57-077	1R13-038	S-3467 / S-3830
FS9177	905-57-003	1R14-028	S-2065
FS9192	905-57-086	1R12-167	S-6195
FS9213	*	1R12-090	*
FS9264	*	*	S-13122
FS9265	*	*	S-20124
FS9270	*	*	S-20010
FS9291	905-57-122, -139	*	*
FS9293	905-57-120	*	*
FS9293	905-57-120	*	*
FS9294	905-57-127	*	*
FS9295	905-57-121	*	*
FS9304	905-57-124	*	*
FS9362	905-57-113	*	*
FS9365	905-57-159	*	*
FS9366	905-57-225	*	*
FS9422	*	1R11-028	*
FS9463	905-57-130, -131	*	*
FS9626	*	*	S-23720
FS9921	905-57-117	*	*
FS9923	905-57-118	*	*

* Crossover Unknown

SPRINGS

Stoughton



ONE LEAF ARCH

Stoughton Number	"A"	Remarks
HSH363-00	5.94"	TRA 021
HSH360-00	8.06"	TRA 023



THREE LEAF ARCH

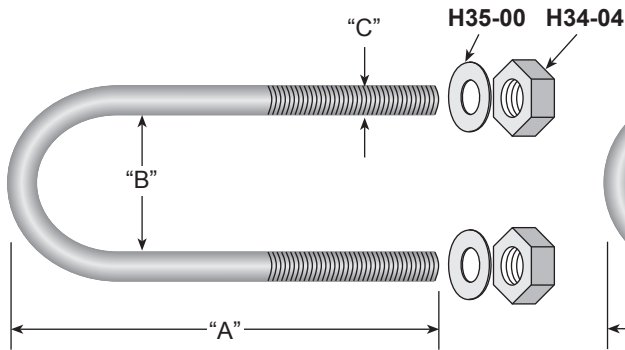
Stoughton Number	"A"	Remarks
HSH354-00	8.15"	TRA 2726
HSH355-00	6.59"	TRA 2727
HSH356-00	5.96"	TRA 2728
HSH365-00	8.09"	TRA 2740
HSH365-01	5.97"	TRA 2741
HSTRA-693	6.625"	FRUEHAUF UCD0511-1
HSTRA-697	4.13"	FRUEHAUF UAC007981-001
HSTRA-1492	6.5625"	TRA 3-A3-62



FOUR LEAF ARCH

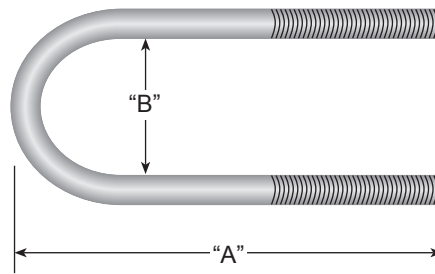
Stoughton Number	"A"
HSTRA-699	8.13"

Note: Binkley ³/₄" Square Top U-Bolts available. Call with your needs.



U-BOLT "KIT"

Stoughton Number	"A"	"B"	"C"
UB311	11"	3 1/8"	7/8"
UB312	12"	3 1/8"	7/8"
UB313	13"	3 1/8"	7/8"
UB314	14"	3 1/8"	7/8"
UB315	15"	3 1/8"	7/8"
UB514	14"	5 1/8"	7/8"



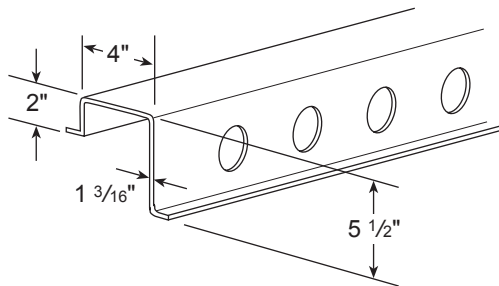
U-BOLT

Stoughton Number	"A"	"B"
H7040-11	12 1/4"	3"



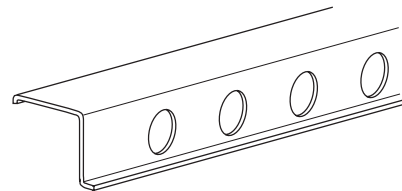
BODY RAILS AND STOP BAR ASSEMBLIES

Hutch H-8200 / H8800



BODY RAILS FOR HUTCH H-8200 SLIDER

Stoughton Number	Rail Length
H18150-19	240"



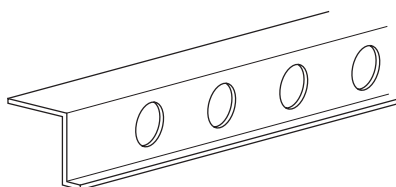
BODY RAILS FOR HUTCH H-8800, H2001 / 2011 SLIDERS

Stoughton Number	Rail Length
04-50517-228-00	228"
H12713-15	228"
H12713-31	232"
H12713-39	184"
H12713-14	216"
H12713-40	236"

Note: Reyco no longer offers slider rails

Hendrickson no longer offers slide rails

For TTMA Rails use
04 50563 228 00 (228")

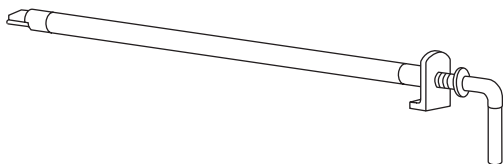


BINKLEY SLIDER RAIL

Stoughton Number	Rail Length
BKSL0853-40	240" - Trailer
BKSL0A1095	178.5" - Chassis

Note: Binkley 6" OC / Hutch 4" OC
TTMA 4" OC
Hutch 1 1/2" Holes
Binkley and TTMA 1 1/2" Holes

Note: For use with TTMA Slider Rails,
Hutch **20669-02** (48" frame width) –
New as of 5/03

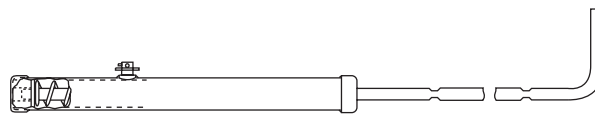


MANUAL STOP BAR ASSEMBLIES FOR HUTCH SLIDER H-8200

Stoughton Number	Frame Width
H11485-11	38"
H11485-12	40"
H11485-14	42"
H11485-15	48"
H11485-17	47"

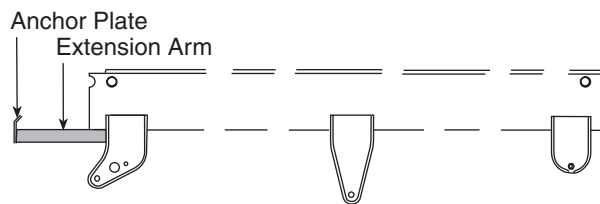
MANUAL STOP BAR ASSEMBLIES FOR HUTCH SLIDER H-8800

Stoughton Number	Frame Width
H11642-05	42"
H11642-10	48"
H11642-12	44"



BINKLEY QUIK-RELEASE

Type	Stoughton Number	Frame Width
For Van Slides	BKSL0724-42	42"
	BKSL0724-48	48"
For Flatbed Slides	BKSL0724-32	32"
	BKSL0724-38	38"



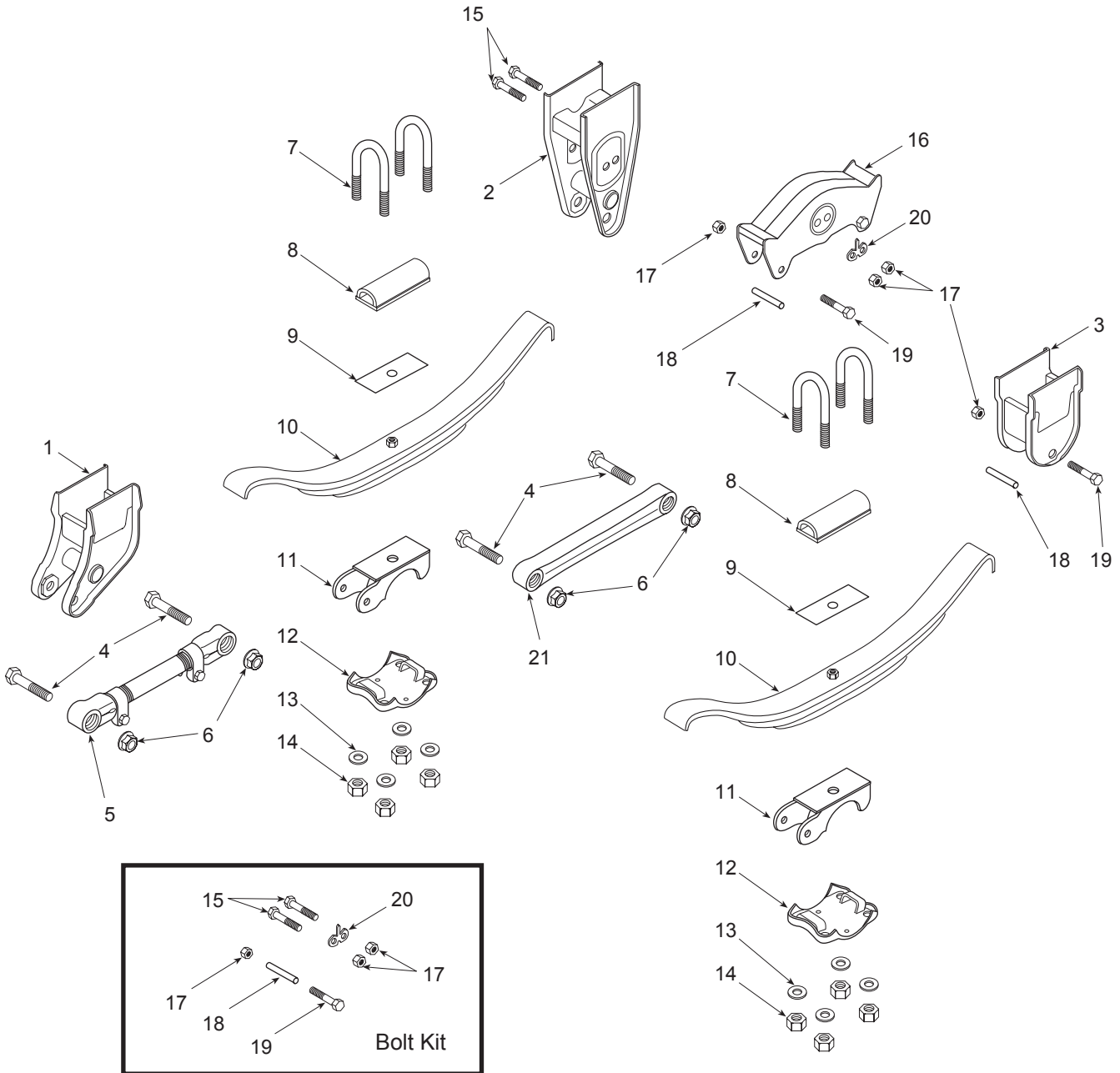
ANCHOR PLATE / EXTENSION ARM

Stoughton Number	Description
01-04255-002-00	Extension Arm
01-14989-000-00	Anchor Plate
01-16197-000-00	1 Piece Assembly

Call with VIN (Serial Number) for correct application

SPRING SUSPENSIONS

Hutch H-7700 (Obsolete – Available as service parts only)



EQUALIZER BOLT KIT
"LONG SAC KIT"

Stoughton Number

H10287-01



SPRING SUSPENSIONS

Hutch H-7700 Parts List

Item No.	Stoughton Number	Description	Quantity		
			Single	Tandem	Multi-axle
1	See Chart A	Front Spring Hanger	2	2	0
2	See Chart A	Center Equalizer Hanger	0	2	2
3	See Chart A	Rear Spring Hanger	2	2	0
4	H719-02	Torque Arm Bolt – Hex Bolt – 1-14UNSx5	4	8	4
5	H16398-04	Adj. Torque Arm with Bushing – 19 1/4" Long	1	2	1
6	H10562-00	Flange Locknut - 14UNS	4	8	4
7	H7040-11	U-Bolt 2 1/4" x 12 1/4"	4	8	4
8	H16868-01	Top Plate	2	4	2
9	H7052-02	Delrin Liner	2	4	2
10	Call for No.	Spring Assembly - Standard 3 Leaf	2	4	2
11	See Chart B	Spring Seat - 5" Round	2	4	2
12	H710-00	Bottom Plate - 5" Round	2	4	2
13	H35-00	Washer – P1, 5/16" ID x 1 3/4" OD	8	16	8
14	H34-04	Hex Nut – 7/8"-14UNF	8	16	8
15	H7016-01	Step Bolt – 5/8"-18UNF x .750 x 6	0	4	4
16	H750-03	Equalizer with Rubber Bushing	0	2	2
17	H37-03	Hex Locknut – 5/8"-18UNF	2	10	8
18	H756-00	Sleeve Spacer – 3/4" OD x 18 Ga x 3 1/4"	2	6	4
19	H759-00	Hex Bolt – 5/8"-18UNF x 4 1/2"	2	6	4
20	H729-00	Double Washer – Lock Tab, 5/8"	0	2	2
21	H715-00	Non-Adj. Torque Arm with Bushing – 19 1/4" Long	1	2	1
	H722-00	Torque Arm Bushings (not shown)			

Parts List Chart A

Item No.	Stoughton Number	Description	Quantity		
			Single	Tandem	Multi-axle
1	H7701-01 H20728-01 H20729-01 H20730-01 H7701-05 H7701-06 H7701-07 H7701-08	Front Hanger Straddle Mount Under Mount Side Mount – Left Side Mount – Right Flange Mount - Weld-on – Left Flange Mount - Weld-on – Right Flange Mount - Bolt-on – Left Flange Mount - Bolt-on – Right	2	2	0
2	H7702-01 H7702-02 H7702-03 H7702-04 H7702-05	Equalizer Hanger Straddle Mount Under Mount Side Mount Flange Mount – Weld-on Flange Mount – Bolt-on	0	2	2
3	H7703-01 H20732-01 H20733-01 H20734-01 H7703-05 H7703-06 H7703-07 H7703-08	Rear Hanger Straddle Mount Under Mount Side Mount – Left Side Mount – Right Flange Mount – Weld-on – Left Flange Mount – Weld-on – Right Flange Mount – Bolt-on – Left Flange Mount – Bolt-on – Right	2	2	0

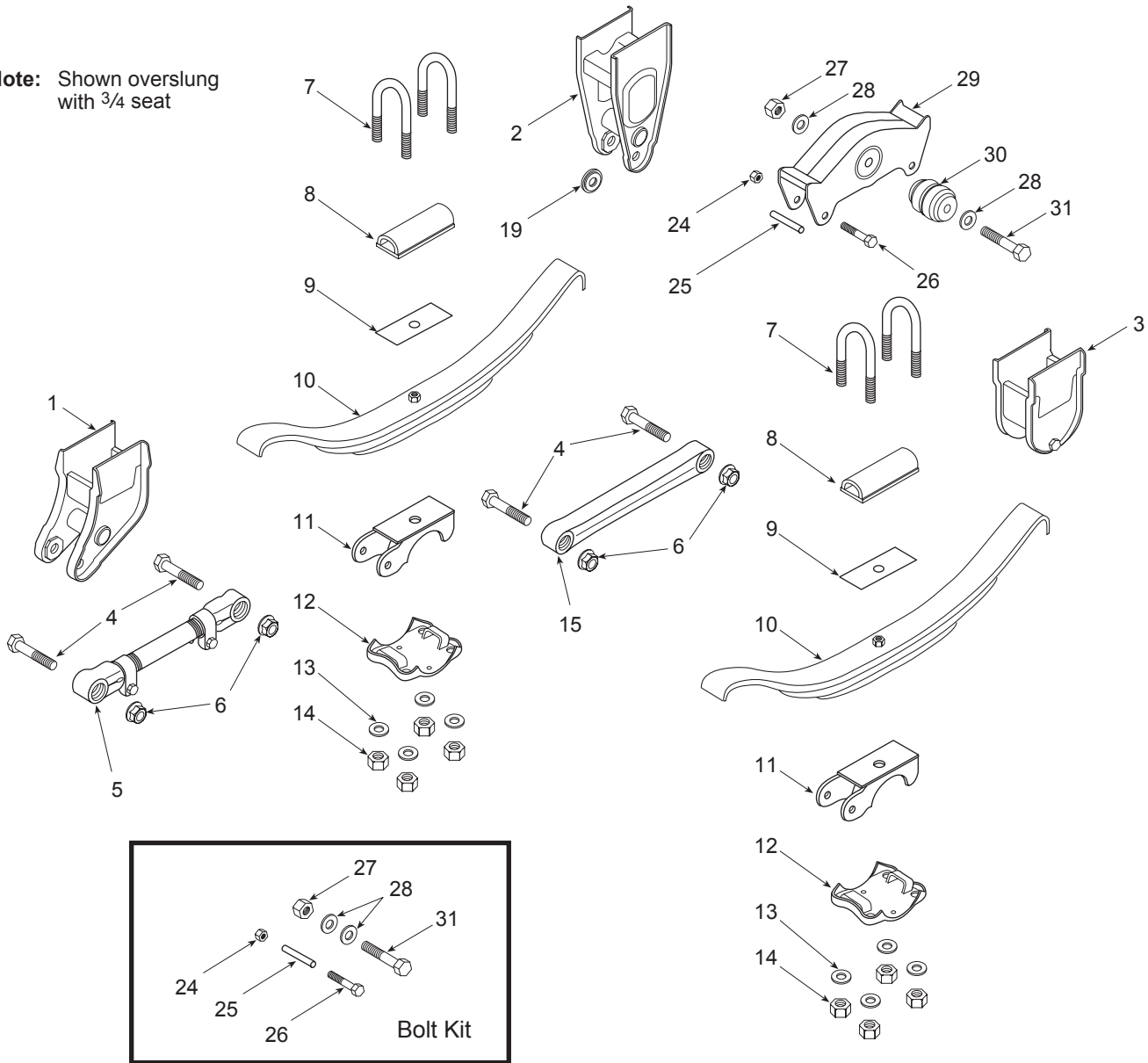
Parts List Chart B

Seat Height	3/4"	1 1/4"	1 3/4"	2 1/4"	2 3/4"	3 1/4"	3 3/4"	4 1/4"	4 3/4"
5" Round	H19360-01	H19360-02	H19360-03	H19360-04	H19360-05	H19360-06	H19360-07	H19360-08	H19360-09
5" x 5" Square	H19365-01	H19365-02	H19365-03	H19365-04	H19365-05	H19365-06	H19365-07	H19365-08	H19365-09
4" x 6" Rect.	H19364-01	H19364-02	H19364-03	H19364-04	H19364-05	H19364-06	H19364-07	H19364-08	H19364-09

SPRING SUSPENSIONS

Hutch H-9700

Note: Shown overslung with 3/4 seat



EQUALIZER BOLT KIT

Stoughton Number
H16353-01

SUSPENSION KITS*

Stoughton Number	Description
H9700-MAC	Multi-Axle Conversion
H9700-SU	Single Axle – Undermount
H9700-TS	Tandem Axle – Stradlemount
H9700-TU	Tandem Axle – Undermount

* Less springs, with 3/4" seats + clamp group

Note: Springs not included in kits

Parts List Chart B

Seat Height	3/4"	1 1/4"	1 3/4"	2 1/4"	2 3/4"	3 1/4"	3 3/4"	4 1/4"	4 3/4"
5" Round	H19360-01	H19360-02	H19360-03	H19360-04	H19360-05	H19360-06	H19360-07	H19360-08	H19360-09
5" x 5" Square	H19365-01	H19365-02	H19365-03	H19365-04	H19365-05	H19365-06	H19365-07	H19365-08	H19365-09
4" x 6" Rect.	H19364-01	H19364-02	H19364-03	H19364-04	H19364-05	H19364-06	H19364-07	H19364-08	H19364-09



SPRING SUSPENSIONS

Hutch H-9700 Parts List

Item No.	Stoughton Number	Description	Quantity	
			Single	Tandem
1	See Chart A	Front Spring Hanger	2	2
2	See Chart A	Center Equalizer Hanger	0	2
3	See Chart A	Rear Spring Hanger	2	2
4	H719-02	Torque Arm Bolt – Hex Bolt – 1 - 14UNSx5	4	8*
5	H16398-04	Radius Rod with Bushing – 19 1/4" Long	1	2*
6	H10562-00	Flange Locknut – 14UNS	4	8*
7	H7040-11	U-Bolt – 2 1/4" x 12 1/4" – Standard 3/8"	4	8*
8	H16868-01	Top Plate	2	4*
9	H7052-02	Delrin Liner	2	4*
10	Call for No.	Spring Assembly - Standard 3 Leaf	2	4
11	See Chart B	Spring Seat – 5" Round	2	4*
12	H710-00	Bottom Plate – 5" Round	2	4*
13	H35-00	Washer – P1, 5/16" ID x 1 3/4" OD	8	16*
14	H34-04	Hex Nut – 7/8"-14UNF	8	16*
15	H715-00	Non-Adj. Radius Rod with Rubber Bushing – 19 1/4" Long	1	2*
19	H7717-01	Washer Bushing	2	2
24	H37-03	Hex Locknut – 5/8"-18UNF	2	2*
25	H756-00	Sleeve Spacer – 3/4" OD x 18 Ga x 3 1/2"	2	2*
26	H759-00	Hex Bolt – 5/8"-18UNF x 4 1/2"	2	2*
27	H11154-00	Hex Locknut – 1 1/8"-7UNC, GR 5	1	1
28	H837-00	Washer – 1/8" x 1 1/4" OD x 2 1/4" ID	2	2
29	H16158-01	Fabricated Rocker Assy. with Rubber Bushing		
	17784-01	Cast Rocker Assy. with Rubber Bushing (not shown)		
30	H18723-01	Rubber Rocker Bushing	1	1
31	H16150-01	Hex Cap Screw – 1 1/8"-7 x 6 7/8", GR 5	1	1
	H722-00	Torque Arm Bushings (not shown)		

* Included in Clamp Group

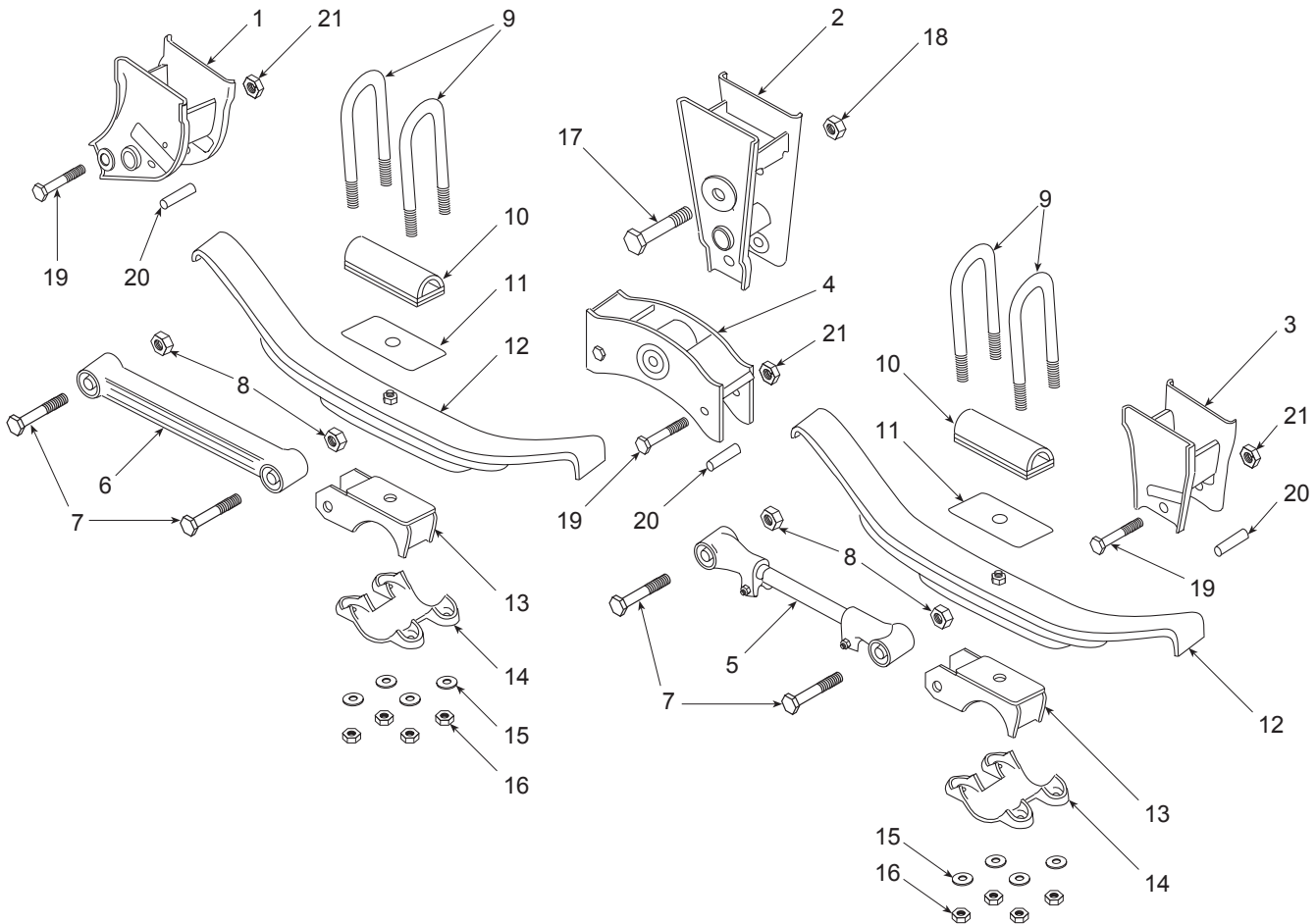
Parts List Chart A

Item No.	Stoughton Number		Description	Quantity	
	Fabricated	Cast		Single	Tandem
1	H7701-01 H7701-02 H16481-01 H7701-03 H7701-04 H7701-05 H7701-06 H7701-07 H7701-08	H702-01	Front Hanger Straddle Mount Straddle Mount Under Mount Under Mount – I-Beam Side Mount – Left Side Mount – Right Flange Mount - Weld-on – Left Flange Mount - Weld-on – Right Flange Mount - Bolt-on – Left Flange Mount - Bolt-on – Right	2	2
2	H16319-01 H16319-02 H16319-04 H16319-08 H16319-07 H16169-01 H16171-01 H16175-01 H16179-01 H16178-01	H16319-51 H16319-52 H16319-52 H16319-58 H16319-57 H16196-03 H16197-03 H16197-03 H16199-05 H16199-03	Rocker & Hanger Assembly Straddle Mount Under Mount & Under Mount - I-Beam Side Mount Flange Mount – Weld-on Flange Mount – Bolt-on Rocker Hanger Only (most common) Straddle Mount Under Mount Side Mount Flange Mount – Weld-on Flange Mount – Bolt-on	0	2
3	H7703-01 H20732-01 H20732-02 H16483-01 H16483-01 H7703-03 H7703-04 H7703-05 H7703-06 H7703-07 H7703-08	H712-01 H712-05 H712-06 H16293-01 H16239-02 H712-09 H712-10 H712-11 H712-12	Rear Hanger Straddle Mount Under Mount – Left Under Mount – Right Under Mount - I-Beam – Left Under Mount - I-Beam – Right Side Mount – Left Side Mount – Right Flange Mount - Weld-on – Left Flange Mount - Weld-on – Right Flange Mount - Bolt-on – Left Flange Mount - Bolt-on – Right	2	2

Note: Some cast item numbers may become obsolete without notice.

SPRING SUSPENSIONS

Binkley Suspension



Note: For single axle Stoughton applications, call with trailer VIN (Serial Number).

Note: This is not the only Binkley suspension available. Please call with VIN (Serial Number) to correctly identify which suspension you have, or look for ID tag on box on sliding suspension, or roadside front hanger on fixed suspension.

Note: Part numbers for ALII may become obsolete without notice.



SPRING SUSPENSIONS

Binkley Suspension Parts List

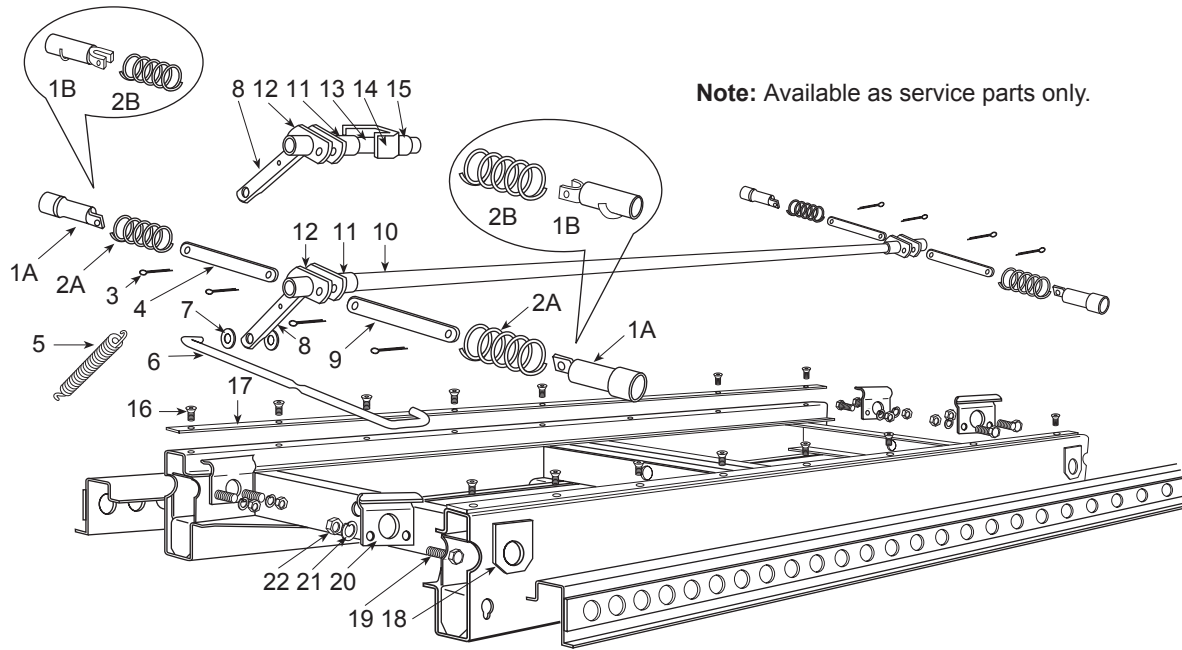
Item No.	Stoughton Number	Description	Quantity	
			Single	Tandem
1	BKSP0100	Front Hanger	2	2
2	BKSP0110	Equalizer Hanger	0	2
3	BKSP0120	Rear Hanger	2	2
4	BKSP0131	Equalizer with Bushing	0	2
	BKXB-SP0054-05	Bushings	0	2
5	BKSP0123	Adj. Torque Arm with Bushings	1	2
	BKSP0083-01	End Rod – Right Hand	1	2
	BKSP0083-02	End Rod – Left Hand	1	2
	BKSP0139	Center Link	1	2
	BKXB-SP0054-02	Bushing	4	8
6	BKSP0143	Fixed Torque Arm with Bushing – 19 1/4" Long	1	2
7	BKPP0050-75	Bolt – 7/8"-14 x 4 3/4" GR.5	4	8
8	BKXB-SP0012-36	Flange Locknut – 7/8"-14	4	8
9	See Chart A	U-Bolt – 3/4" Diameter	4	8
10	BKSP0136	Top Plate	2	4
11	BKSP0049	Liner	2	4
12	See Chart A	Spring Assembly	2	4
13	See Chart A	Spring Seat Riser	2	4
14	BKSP0099	Bottom Plate	2	4
15	BKXB-SP0016-67	Hardened Washer – 13/16" ID x 1 15/32" OD	8	16
16	BKXB-SP0011-44	Hex Nut – 3/4"-16 GR.8	8	16
17	BKPP0050-73	Bolt – 1"-12 x 6 1/2" GR.5	0	2
18	BKPP0012-37	Flange Locknut – 1"-12	0	2
19	BKPP0050-71	Bolt – 5/8"-11 x 4 1/2" GR.5	4	8
20	BKXB-SP0145	Spacer	4	8
21	BKPP0012-10	Locknut – 5/8"-11	4	8

Parts List Chart A

Description	Seat Height				
	3/4"	1 1/4"	1 3/4"	2 1/4"	2 3/4"
Spring Seat Riser	BKSP0142-01	BKSP0142-02	BKSP0142-03	BKSP0142-04	BKSP0142-05
U-Bolt	BKSP0075-03	BKSP0075-04	BKSP0075-05	BKSP0075-06	BKSP0075-07
Leaf Spring	HSH354-00 (16")	HSH354-00 (16 1/2")	HSH354-00 (17")	HSH354-00 (17 1/2")	HSH354-00 (18")
Leaf Spring	HSH355-00 (14 1/2")	HSH355-00 (15")	HSH355-00 (15 1/2")	HSH355-00 (16")	HSH355-00 (16 1/2")
Leaf Spring	HSH356-00 (13 3/4")	HSH356-00 (14 1/4")	HSH356-00 (14 3/4")	HSH356-00 (15 1/4")	HSH356-00 (15 3/4")
U-Bolt	BKSP0075-01	BKSP0075-02	BKSP0075-03	BKSP0075-04	BKSP0075-05
Leaf Spring	HSH360-00 (16")	HSH360-00 (16 1/2")	HSH360-00 (17")	HSH360-00 (17 1/2")	HSH360-00 (18")
Leaf Spring	HSH363-00 (13 3/4")	HSH363-00 (14 1/4")	HSH363-00 (14 3/4")	HSH363-00 (15 1/4")	HSH363-00 (15 3/4")
Three Leaf Springs	BKSP0075-04	BKSP0075-05	BKSP0075-06	BKSP0075-07	BKSP0075-08
Heavy Duty U-Bolt	HSH365-00 (16")	HSH365-00 (16 1/2")	HSH365-00 (17")	HSH365-00 (17 1/2")	HSH365-00 (18")
Leaf Spring	HSH365-01 (13 3/4")	HSH365-01 (14 1/4")	HSH365-01 (14 3/4")	HSH365-01 (15 1/4")	HSH365-01 (15 3/4")

SLIDERS

Hutch H-8200



42" FRAME WIDTH

Stoughton Number	Description
H16014-14	9700 Hanger Group & No Rails

48" FRAME WIDTH

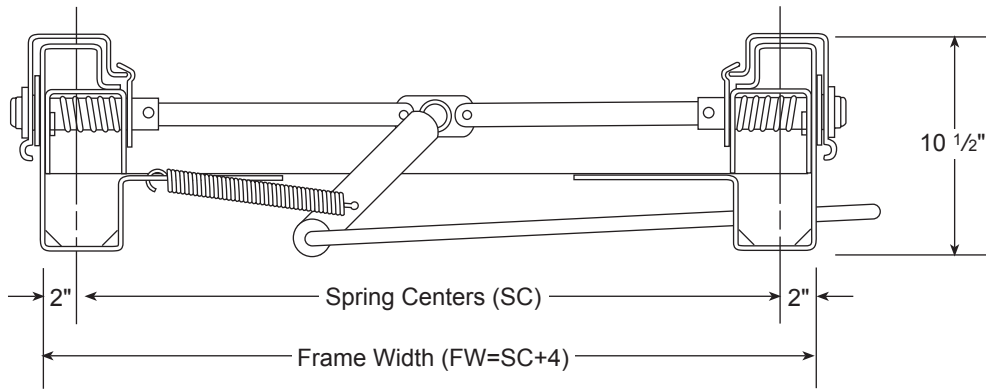
Stoughton Number	Description
H16014-17	9700 Hanger Group & No Rails

BODY RAIL ASSEMBLIES

Stoughton Number	Description
H18150-05	184"
H18150-07	192"
H18150-19	240"

SLIDERS Hutch H-8200 Parts List

Item No.	Stoughton Number	Description	Quantity	
			2-Pin	4-Pin
1A	H16006-01	Lock Pin, if manufactured after June, 1989	2	4
1B	H11410-00	Lock Pin, if manufactured before June, 1989	2	4
	H11414-00	Special Half Washer, if manufactured before June, 1989	2	4
2A	H12779-01	Comp. Spring – Lock Pin Pl, if manufactured after June, 1989	2	4
2B	H8098-01	Comp. Spring – Lock Pin Pl, if manufactured before June, 1989	2	4
3	H8016-00	Cotter Pin – 3/8" x 1 1/4"	4	8
4	See Chart A	Link (varies with frame width)	1	2
5	H8018-02	Spring – Hexelx 12 Ga x 1PD x 10 1/8"	1	1
6	H11411-00	Handle – Pin Release	1	1
7	H8054-00	Plain Washer – 5/8"	2	2
8	H8026-00	Crank	1	1
9	H11412-04	Link – 13 5/8" long	1	2
10	H8010-14	Pipe – 1" Std x 95" long	0	1
11	H405-36	Pipe – 1 1/4" Std x 2 1/8" long	1	2
12	H8028-00	Cam	2	4
13	H8010-52	Pipe – 1" Std x 8" long	1	0
14	H9276-00	Channel Bracket – 2" x 2 3/8" x 4"	1	0
15	H405-01	Pipe – 1 1/4" Std x 3/4" long	1	0
16	H9627-00	Th'd Form Screw – 5/16"-18 x 5/8", CSHD	16	16
17	H11421-01	Slider Pad – 1/4" x 2" x 96"	2	2
18	H11625-01	Bearing Plate	4	4
19	H8040-00	Hex Bolt – 1/2"-20UNF x 1 1/4"	8	8
20	H11420-00	Hold Down Clip	4	4
21	H32-00	Lockwasher – 1/2" medium spring	8	8
22	H33-01	Hex Nut – 1/2"-20UNF	8	8



Parts List Chart A

Item No.	Description	Seat Height					
		38"	40"	41"	42"	47"	48"
4	Link	H11412-01	H11412-02	H11412-03	H11412-04	H11412-06	H11412-07

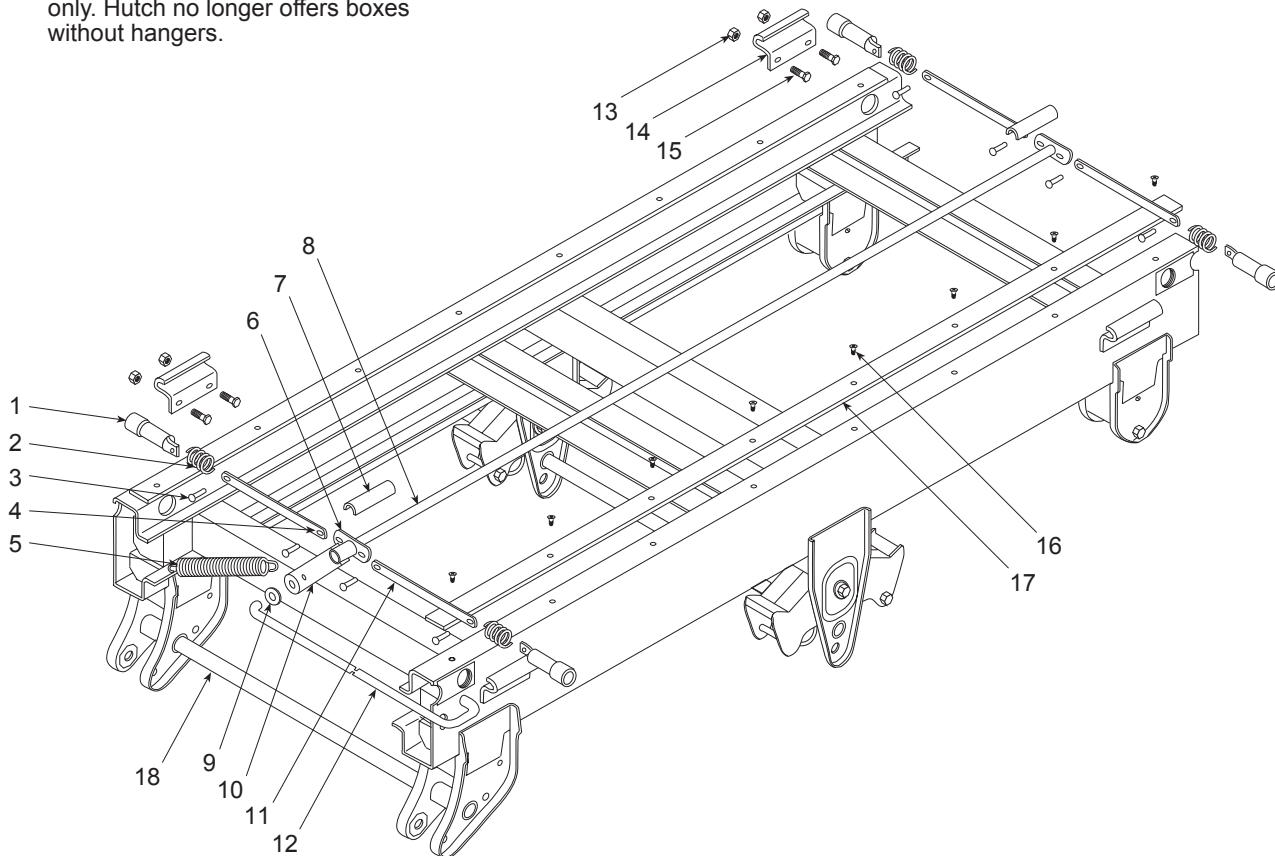
SLIDERS

Hutch H-8800 & H8900 (Obsolete – Available as service parts only)

Note: H8900 contains the same components as the H8800 without hangers.

Note: RLSA Box (Air Ride) uses the same pin-pull mechanism as shown below.

Note: Above information for reference only. Hutch no longer offers boxes without hangers.

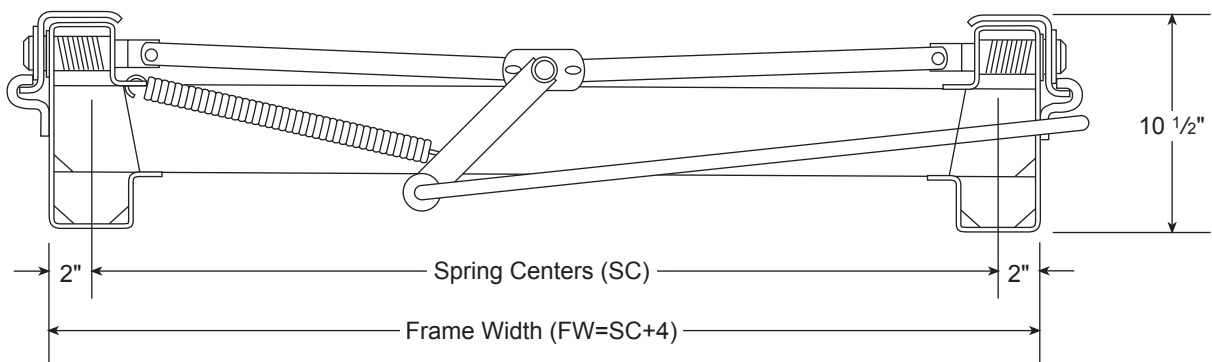


For Pneumatic Pin Puller, see Hutch H-9800 (page 9-40)

Item No.	Stoughton Number	Description	Quantity
1	H12716-01	Lock Pin	4
2	H12779-01	Compression Spring	4
3	H12780-01	Rivet – Pan Head	4
4	See Chart A	Link (varies with frame width)	2
5	H8018-01	Spring – Helex 1PD x 8 5/8" long	1
6	H8028-00	Cam	2
7	H12785-01	Pipe Channel – U Shape	2
8	H8010-14	Pipe – 1" Std x 95" long	1
9	H8054-00	Plain Washer – 5/8"	2
10	H8026-00	Crank	1
11	H11412-16	Link – 17 5/8" long	2
12	H12781-01	Handle – Pin Release	1
13	H33-01	Hex Lock Nut – 1/2"-20UNF - 2B	8
14	H12715-01	Hold Down Clip – Old Style (shown) 4" Hole Centers (older than 10/96)	4
14A	H17919-01	Hold Down Clip – New Style 2 1/4" Hole Centers (newer than 10/96)	4
15	H8040-00	Hex Bolt – 1/2"-20UNF x 1 1/4"	8
16	H9627-00	Th'd Form Screw – 5/16"-18 x 5/8", CSHD	16
17	H11421-01	Slider Pad – 1/4" x 2" x 96"	2
18	H405-37	Crosspipe (48" frame width)	1

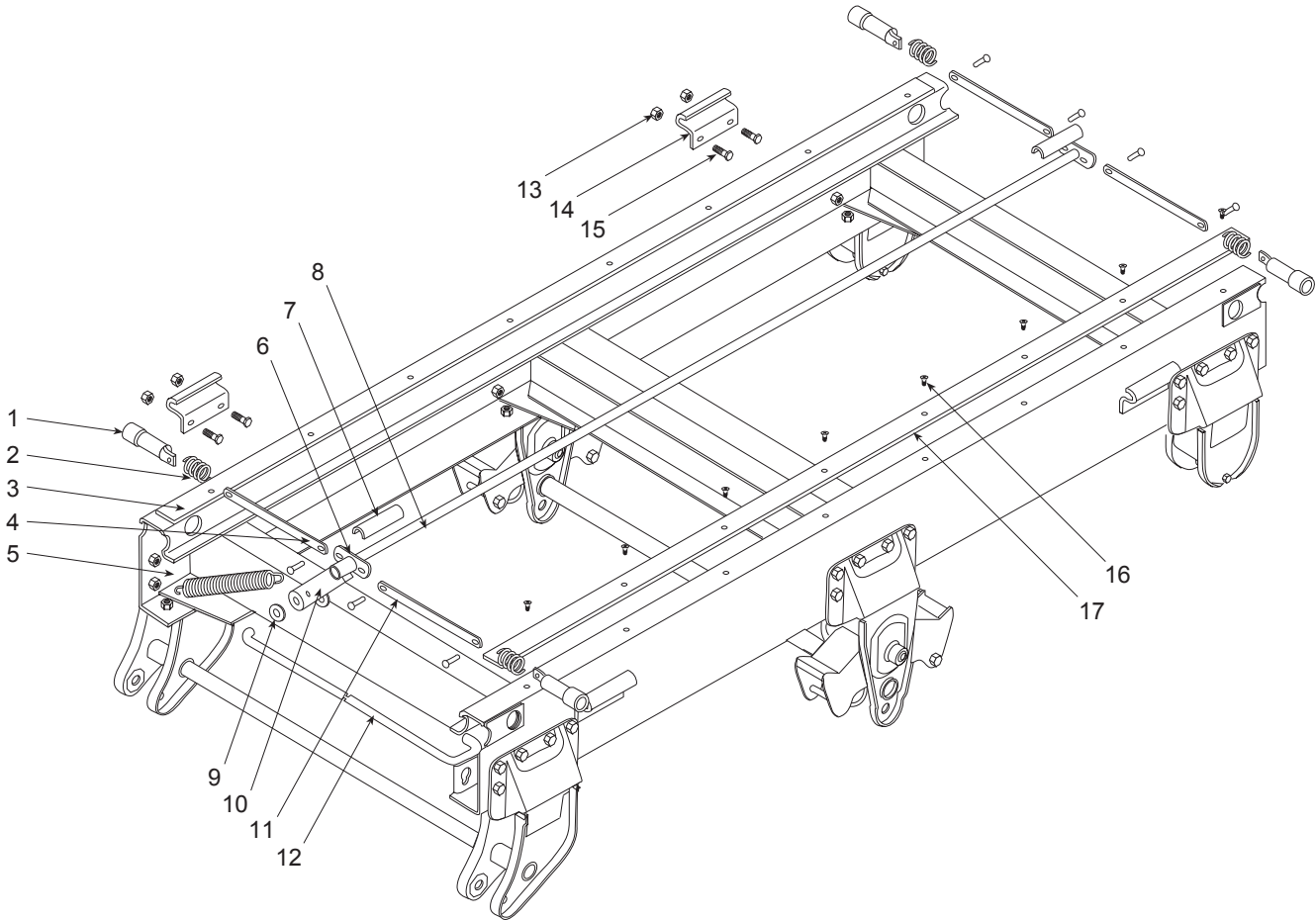
Parts List Chart A

Item No.	Description	Frame Width	
		42"	48"
4	Link	H11412-02	H11412-16



SLIDERS

Hutch H-9200



38" FRAME WIDTH / 9" FRAME HEIGHT

Stoughton Number	Description
H16987-01	9700 Hanger Group & No Rails

44" FRAME WIDTH / 9" FRAME HEIGHT

Stoughton Number	Description
H16987-03	9700 Hanger Group & No Rails

38" FRAME WIDTH / 10" FRAME HEIGHT

Stoughton Number	Description
H16621-01	9700 Hanger Group & No Rails

44" FRAME WIDTH / 10" FRAME HEIGHT

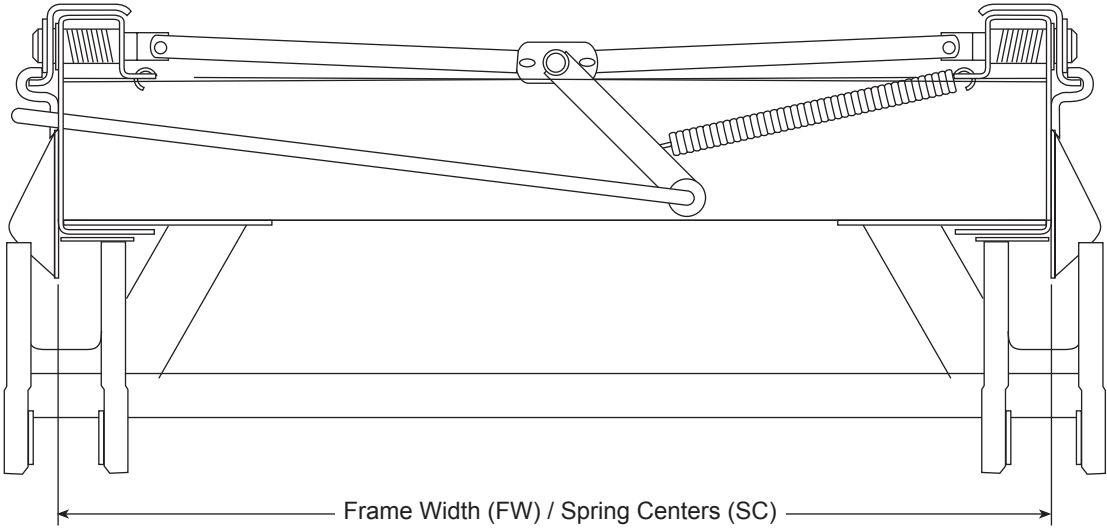
Stoughton Number	Description
H16621-03	9700 Hanger Group & No Rails

SLIDERS Hutch H-9200 Parts List

Item No.	Stoughton Number	Description	Quantity
1	H12716-01	Forged Lock Pin	4
2	H12779-01	Compression Spring - Lock Pin	4
3	H12780-01	Rivet - Pan Head	8
4	See Chart A	Link (varies with frame width)	2
5	H8018-02	Spring - Helix 12 GA x 1 PD x 10 1/8" long	1
6	H8028-00	Cam - Puller Kit	2
7	H12785-01	Pipe Channel - U Shape	2
8	H8010-14	Pipe - 1" Std x 95" long	1
9	H8054-00	Plain Washer - 5/8"	2
10	H8026-00	Crank - Puller Kit	1
11	H11412-13	Link - 15 5/8" long	2
12	H12781-07	Pull Handle - 30 3/4" long	1
13	H33-01	Hex Lock Nut - 1/2"-20UNF	8
14	H12715-01	Hold Down Clip	4
15	H8040-00	Hex Bolt - 1/2"-20UNF, GR 2	8
16	H9627-00	Thread Form Screw - 5/16"-18 x 5/8", CSHD	16
17	H11421-01	Slider Pad - UHMW, 1/4" x 2" x 96"	2

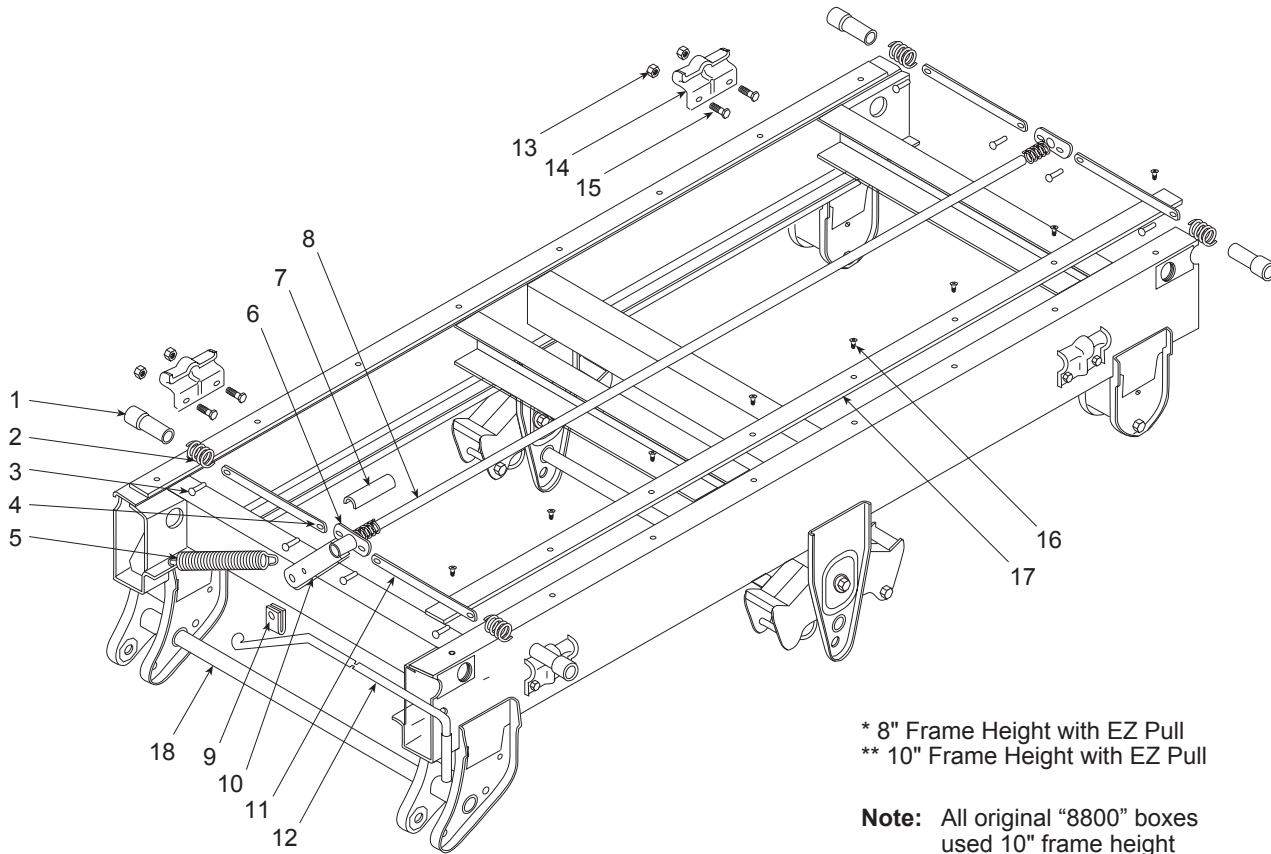
Parts List Chart A

Item No.	Description	Frame Width	
		38"	44"
4	Link	H11412-01	H11412-13



SLIDERS

Hutch H-9800 (Replaces obsolete H-8800) / H-9801* / H-9811**



* 8" Frame Height with EZ Pull
 ** 10" Frame Height with EZ Pull

Note: All original "8800" boxes used 10" frame height

42" FRAME WIDTH / 8" FRAME HEIGHT

Stoughton Number	Description
H20324-01	Box w/ 9700 Hanger Group

48" FRAME WIDTH / 8" FRAME HEIGHT

Stoughton Number	Description
H20324-03	Box w/ 9700 Hanger Group

42" FRAME WIDTH / 10" FRAME HEIGHT

Stoughton Number	Description
H22657-01	Box w/ 9700 Hanger Group

48" FRAME WIDTH / 10" FRAME HEIGHT

Stoughton Number	Description
H22657-03	Box w/ 9700 Hanger Group

"P3" PNEUMATIC PIN PULLER

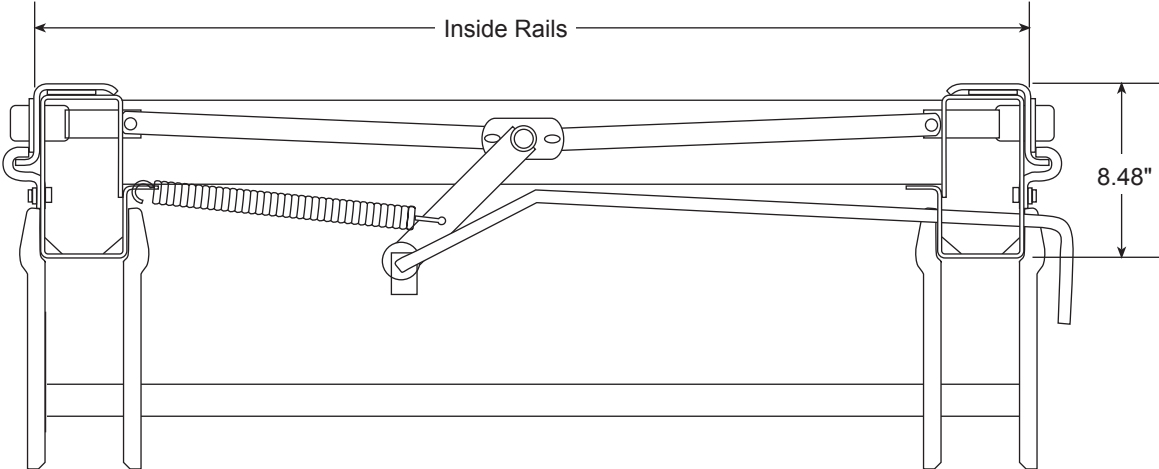
Stoughton Number	Description
H17690-01	Retrofit "Kit" (48" frame width)
H17708-01	Air Valve Assembly (arm)
H17916-01	Air Valve Assembly (air tank or bogie)
H19515-01	Cylinder

SLIDERS Hutch H-9800 Parts List

Item No.	Stoughton Number	Description	Quantity
1	H18426-01	Lock Pin	4
2	H12779-01	Compression Spring	4
3	H12780-01	Rivet – Pan Head	4
4	See Chart A	Link (varies with frame width)	2
5	H8018-02	Spring – 12 GA x 1PD x 10 1/8" long	1
6	H8028-00	Cam	2
7	H18064-01	Compression Spring	2
8	H8010-14	Pipe – 1" x 95" long	1
9	H11409-01	Handle Clip	1
10	H8026-00	Crank	1
11	H11412-16	Link – 18 1/4" long	2
12	H12781-01	Handle – Pin Release	
13	H33-01	Hex Lock Nut – 1/2"-20UNF - 2B	8
14	H17919-01	Hold Down Clip	4
15	H8040-00	Hex Bolt – 1/2"-20UNF x 1 1/4"	8
16	H9627-00	Thread Form Screw	16
17	H11421-01	Slider Pad	2
18	H20289-01	Crosspipe (48" frame width)	2

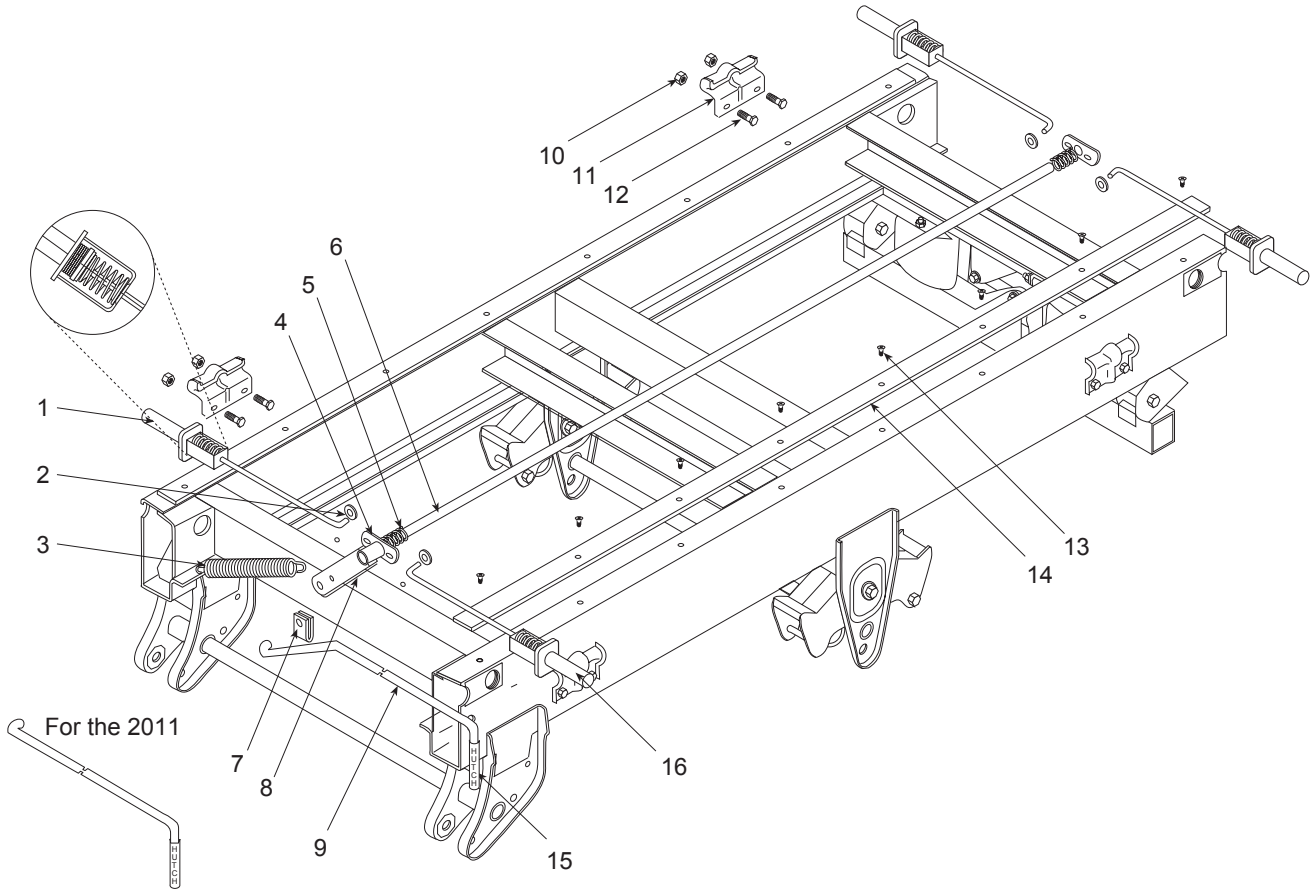
Parts List Chart A

Item No.	Description	Frame Width	
		42"	48"
4	Link	H11412-31	H11412-32

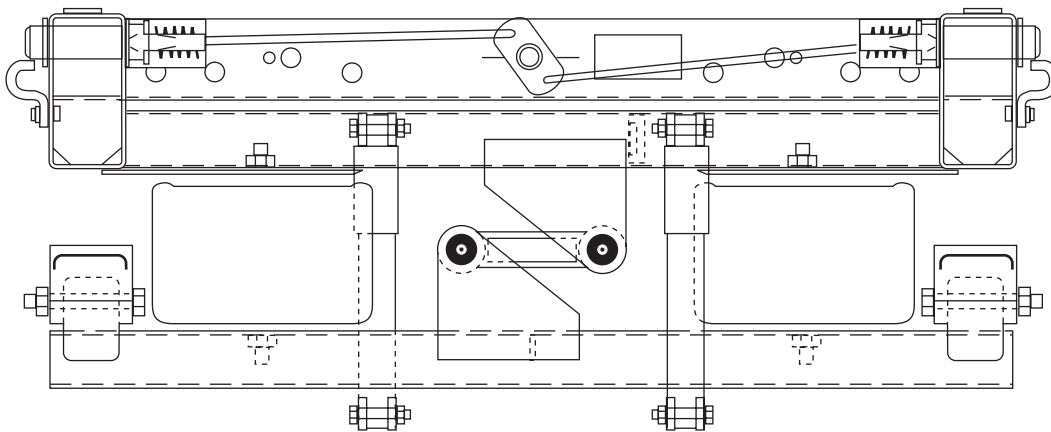


SLIDERS

Hutch 2001 / 2011



HutchRide 2000



SLIDERS Hutch 2001 / 2011 Parts List

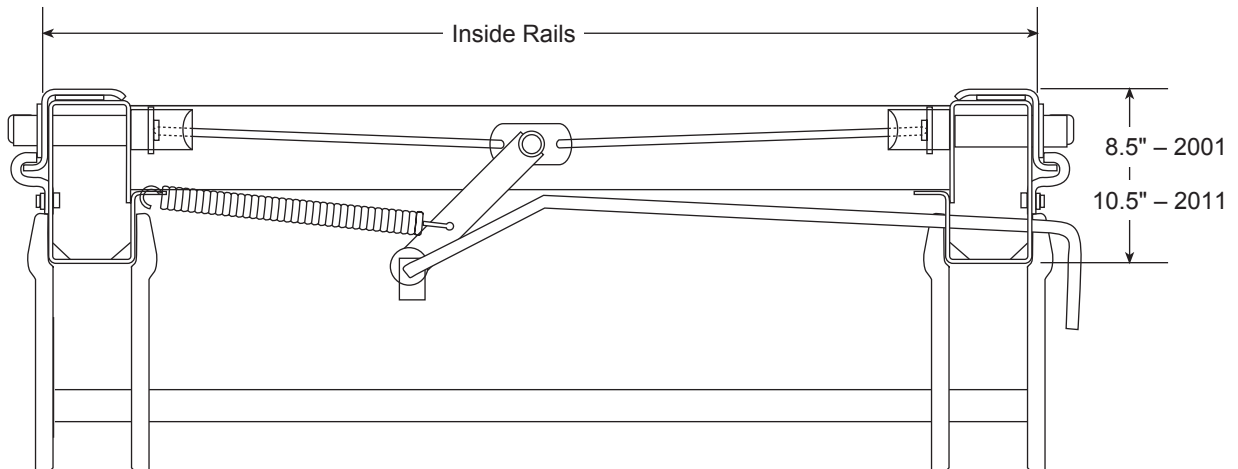
Item No.	Stoughton Number	Description	Quantity
1	See Chart A	EZ-PULL Subassembly	2
2	H177-00	Washer	4
3	H8018-02	Spring – 12 GA x 1PD x 10 1/8" long	1
4	H8028-00	Cam	2
5	H18064-01	Compression Spring	2
6	H8010-14	Pipe – 1" x 95" long	1
7	H11409-01	Handle Clip	1
8	H8026-00	Crank	1
9	H18010-01 (for 2001) H18797-01 (for 2011)	Handle – Pin Release	1
10	H33-01	Hex Lock Nut – 1/2"-20UNF-2B	12
11	H17919-01	Hold Down Clip	4
12	H8040-00	Hex Bolt – 1/2"-20UNF x 1 1/4"	8
13	H9627-00	Thread Form Screw – 5/16" x 18" x 5/8", CSHD	16
14	H11421-01	Slider Pad	2
15	H11479-00	Hand Grip – Plastic	1
16	H19033-03	EZ-PULL Subassembly	2
17	H19141-01	HutchRide 2000 Air Spring Assembly	2
18	H19234-01	Hex Lock Nut – 3/4" - 10UNC	2
19	H19282-01	Hex Lock Nut – 1/2" - 13UNC	2
20	H841-00	Hex Lock Nut – 3/4" - 16UNF	6
21	H19211-01	Shackle - Spring	2
22	H19244-01	Spring Shackle Bushing	4
23	H19237-02	Bushing Sleeve – 3 1/4" LG	2
24	H11456-00	Hex Bolt – 3/4" - 16UNF x 5 1/2" LG	4
25	H817-00	Washer – 1/8" - 13/16 ID x 1 1/2 OD	8
26	See Chart B	Lower Beam Assembly	1
27	H19237-01	Bushing Sleeve – 3" LG	2
29	H718-00	Hex Bolt – 1/2" - 20UNF x 3" LG	4
30	H38-00	Washer – 1/10" - 9/16 ID x 1 OD	8
31	H19142-00	Shock Absorber	2

Parts List Chart A

Item No.	Frame Width
H19033-01	42"
H19033-03	48"

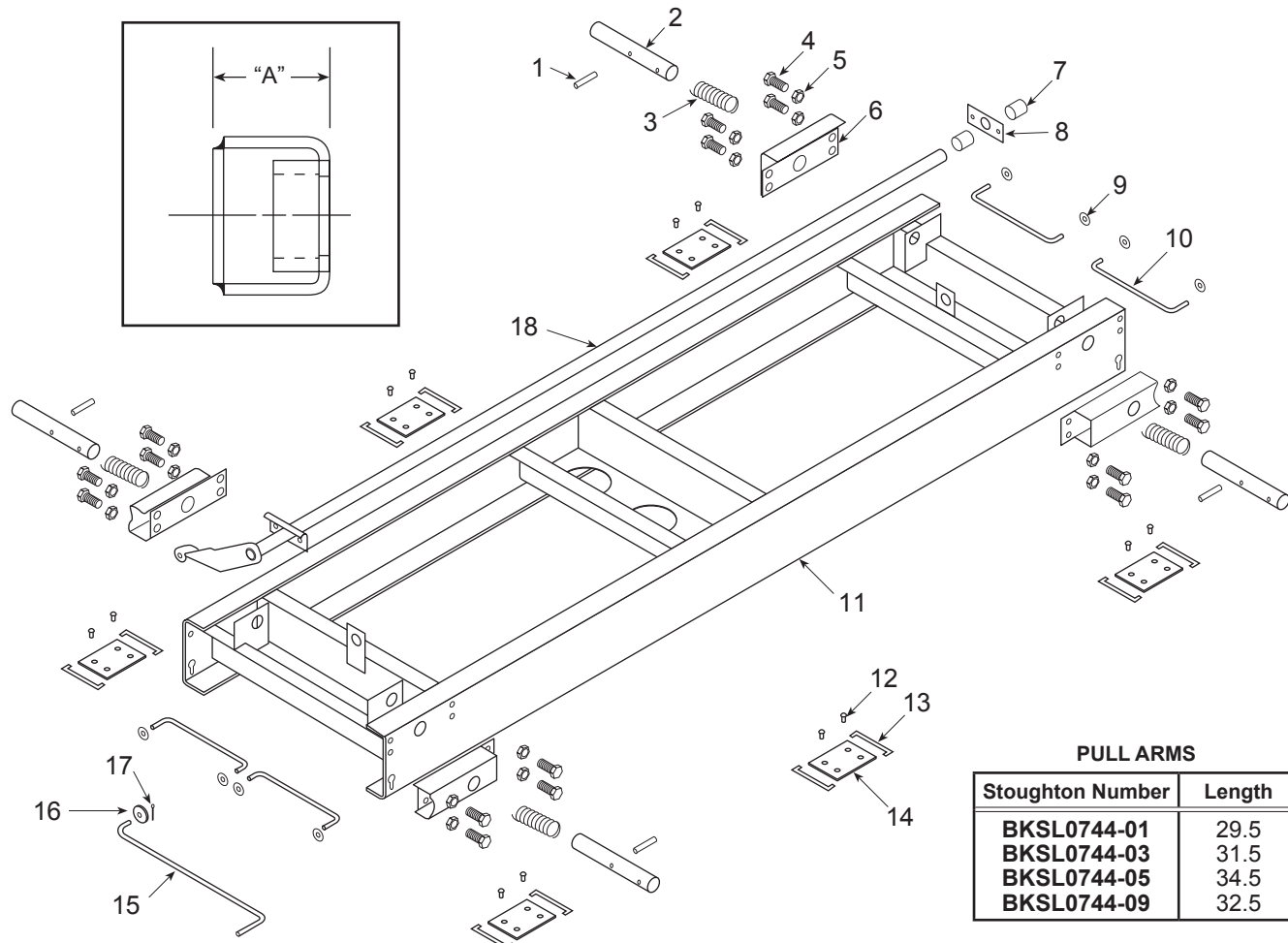
Parts List Chart B

Item No.	Frame Width
H19243-01	42"
H19243-03	48"



SLIDERS

Binkley Lite-Slide™ SL7000

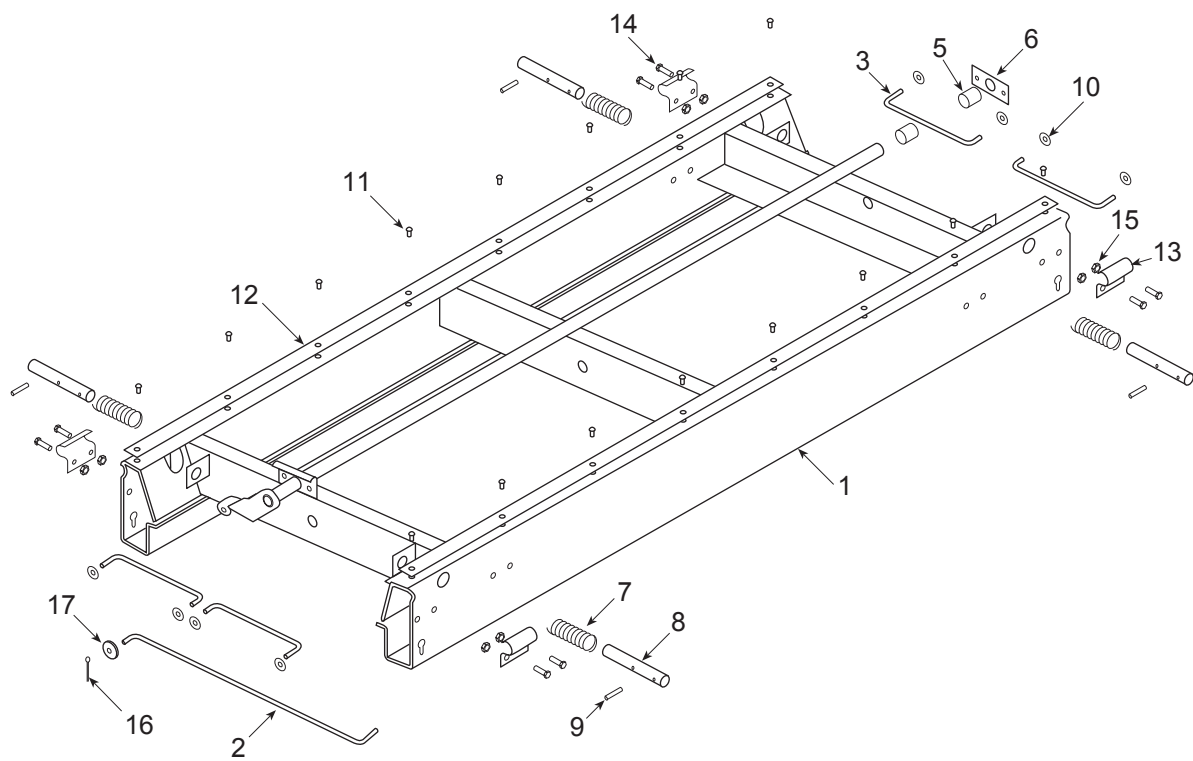


PULL ARMS

Stoughton Number	Length
BKSL0744-01	29.5
BKSL0744-03	31.5
BKSL0744-05	34.5
BKSL0744-09	32.5

Item No.	Stoughton Number	Description	Quantity
1	BKPP0052-30	Roll Pin	4
2	BKSL0732	Lock Pin – 1 5/8" diameter	4
3	BKXB-SPG-020-19	Compression Spring	4
4	BKPP0001-33	Hex Head Cap Screw	8
5	BKXB-SLN-012-42	Hex Head Self-locking Nut	8
6	BKSL0579	W/A, Holddown	4
	BKSL0579-01	"A" = 2 9/16"	
	BKSL0579-02	"A" = 2 3/4"	
7	BKSL0523-02	Spacer	2
8	BKSL0451	Cam	1
9	BKSL0016-68	Washer – Flat Special	8
10	BKSL0646-04	Linkage Arm, 38" Spring Center	4
	BKSL0646-05	Linkage Arm, 44" Spring Center	4
11	BKSL0704-38	W/A, Sub-frame, 38" Spring Center	1
	BKSL0704-44	W/A, Sub-frame, 44" Spring Center	1
12	BKPP0008-16	Screw	12
13	BKSL0691	Slide Pad Retainer	12
14	BKSL0563-01	Slide Block	6
15	BKSL0744-01	Pull Arm, 38" Spring Center	1
	BKSL0744-01	Pull Arm, 44" Spring Center	1
16	BKXB-CTP-014-59	Cotter Pin	1
17	BKPP0016-08	Washer – Flat	1
18	BKSL0370-01	W/A, Torsion Camshaft (Torsion Spring included but not shown)	1

Binkley Lite-Slide™ SL8000 and SL6000

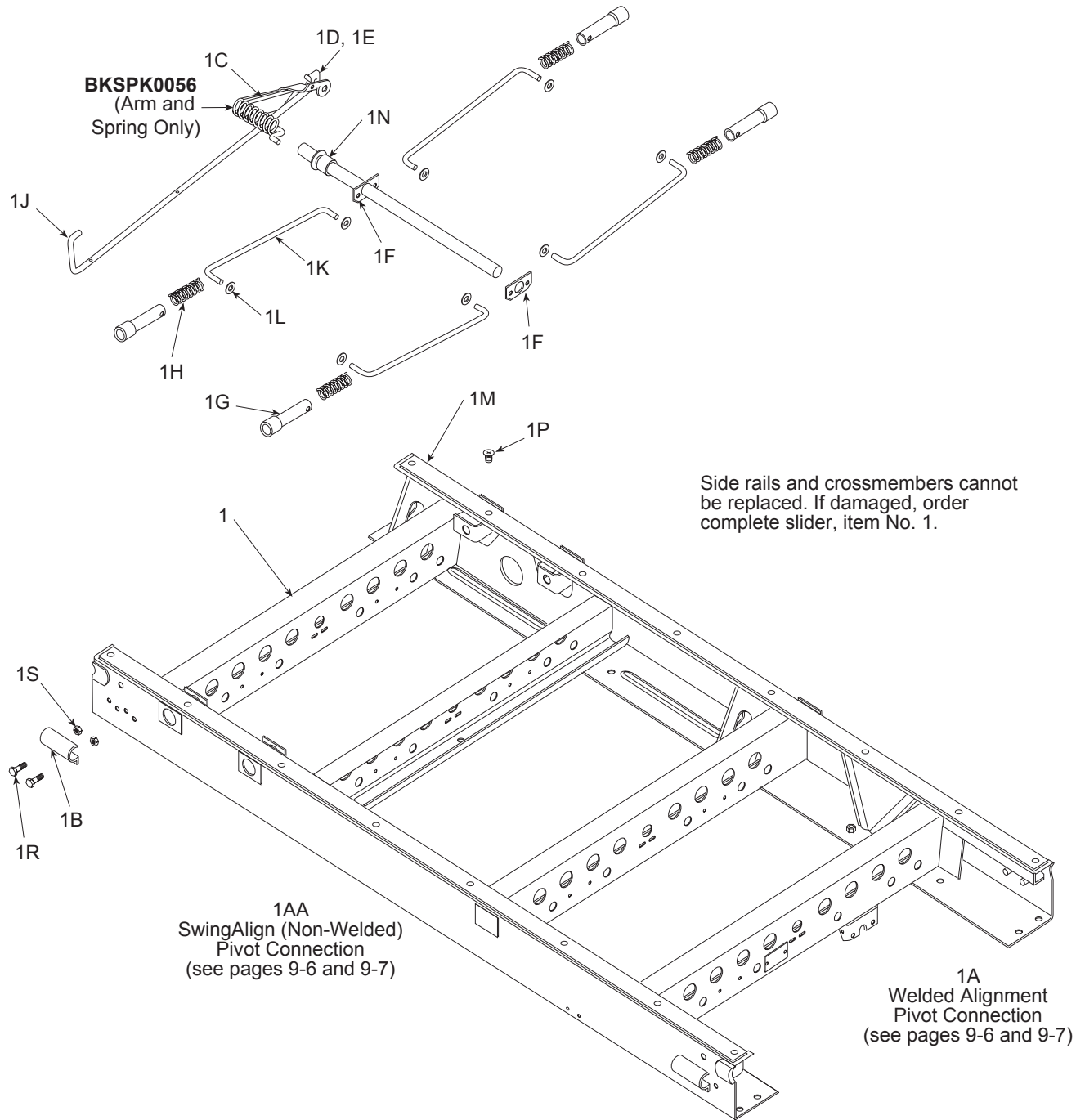


Note: For JB Hunt Chassis use Slider **SLC582-48** & Slider Pads **BKSL0515**

Item No.	Stoughton Number	Description	Quantity
1	BKSL0704-42	W/A, Sub-frame – 42" Frame Width	1
	BKSL0704-48	W/A, Sub-frame – 48" Frame Width	1
2	BKSL0744-03	Pull Arm – 42" Frame Width	1
	BKSL0744-07	Pull Arm – 48" Frame Width	1
3	BKSL0646-42	Linkage Arm – 42" Frame Width	4
	BKSL0646-48	Linkage Arm – 48" Frame Width	4
4	BKSL0370-01	W/A, Torsion Camshaft (Torsion Spring included but not shown)	1
	BKSL0019	Spring Arm Replacement Kit	1
5	BKSL0523-07	Spacer	2
6	BKSL0451	Cam	1
7	BKXB-SPG-020-18	Compression Spring	4
8	BKSL0450	Lock Pin – 1 3/8" diameter	4
9	BKPP0052-28	Roll Pin	4
10	BKSL0016-68	Washer – Flat Special	8
11	BKXB-ST5-008-16	Screw	16
12	BKSL0515	Slide Block	2
13	BKSL0893	Holddown Bracket	4
14	BKPP001-33	Hex Head Cap Screw	8
15	BKXB-SLN-012-42	Hex Head Self-locking Nut	8
16	BKXB-CTP-014-59	Cotter Pin	1
17	BKPP0016-08	Washer – Flat	1

SLIDERS

Neway CB400



Note: For units with pneumatic pin pull mechanisms, see SAF Holland's website: ww1.SAFholland.us.



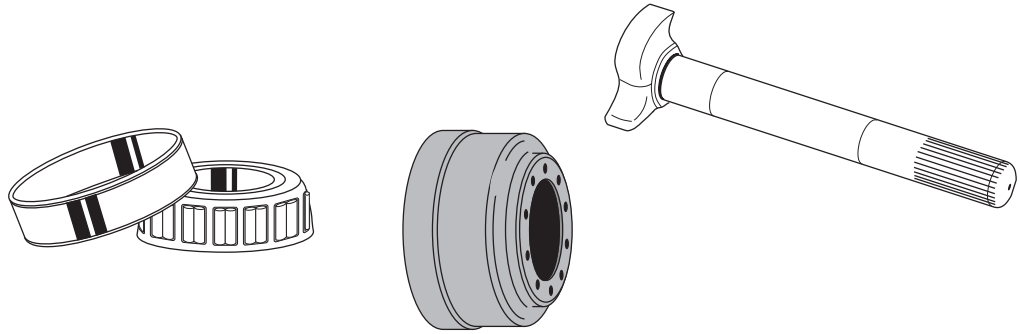
SLIDERS

Neway CB400 Parts List

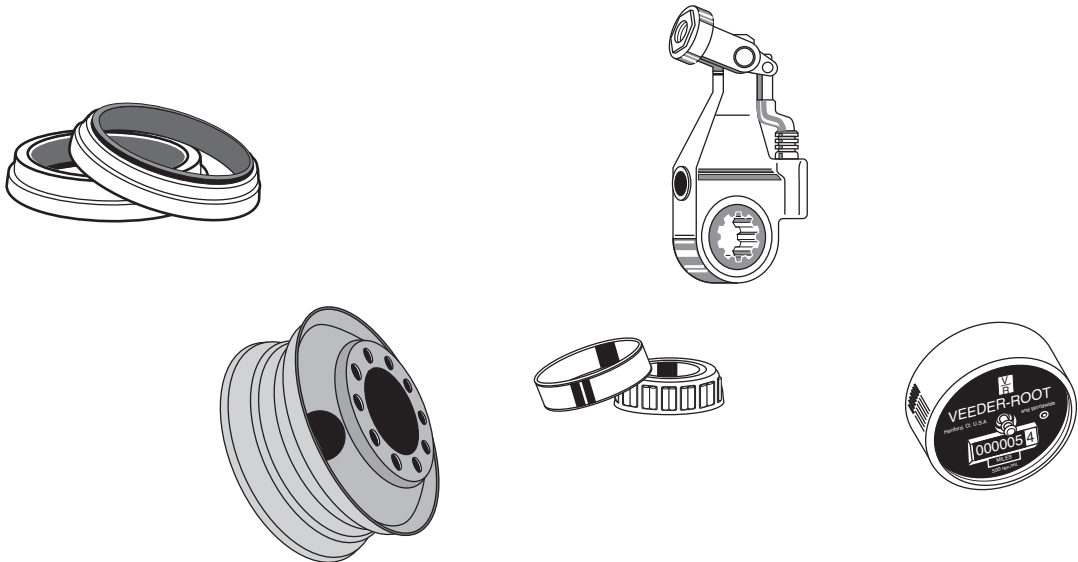
Item No.	Stoughton Number				Description	96" Slider Box Rail Style	Qty.
	CB400-15.5	CB400-16.0	CB400-16.5	CB400-17.0			
1	42" - BKCL211Q1A11-48" - BKCL111Q1A11-	42" - BKCL221Q1A11-48" - BKCL121Q1A11-	42" - BKCL231Q1A11-48" - BKCL131Q1A11-	42" - BKCL241Q1A11-48" - BKCL141Q1A11-	Slider Assy. w/ Qwik Release w/ 2 SwingAlign & 2 Fixed Frame Brackets* (Includes items 1A-1S)	CL**	1
	42" - BKCH211Q1A11-48" - BKCH111Q1A11-	42" - BKCH221Q1A11-48" - BKCH121Q1A11-	42" - BKCH231Q1A11-48" - BKCH131Q1A11-	42" - BKCH241Q1A11-48" - BKCH141Q1A11-		CH**	
	42" - BKCT211Q1A11-48" - BKCT111Q1A11-	42" - BKCT221Q1A11-48" - BKCT121Q1A11-	42" - BKCT231Q1A11-48" - BKCT131Q1A11-	42" - BKCT241Q1A11-48" - BKCT141Q1A11-		CT**	
	42" - BKCU211Q1A11-48" - BKCU111Q1A11-	42" - BKCU221Q1A11-48" - BKCU121Q1A11-	42" - BKCU231Q1A11-48" - BKCU131Q1A11-	42" - BKCU241Q1A11-48" - BKCU141Q1A11-		CU**	
1A	N/A	N/A	N/A	N/A	Frame Bracket (welded)	Roadside	-
	See Frame Bracket Replacement Kits pages 9-8 and 9-9						
1AA					Frame Bracket (SwingAlign)	Curbside	-
	See Frame Bracket Replacement Kits pages 9-8 and 9-9						
1B	42" - BKSL-0893 48" - BKSL-0893	42" - BKSL-0893 48" - BKSL-0893	42" - BKSL-0893 48" - BKSL-0893	42" - BKSL-0893 48" - BKSL-0893	Hold Down Bracket		4
1C	42" - BKSLOA1277-01 48" - BKSLOA1277-01	42" - BKSLOA1277-01 48" - BKSLOA1277-01	42" - BKSLOA1277-01 48" - BKSLOA1277-01	42" - BKSLOA1277-01 48" - BKSLOA1277-01	Torsion Cam		1
1D	42" - BKSLOA1273 48" - BKSLOA1273	42" - BKSLOA1273 48" - BKSLOA1273	42" - BKSLOA1273 48" - BKSLOA1273	42" - BKSLOA1273 48" - BKSLOA1273	Pull Handle Clip		1
1E	42" - BKXB-CTP-014-59 48" - BKXB-CTP-014-59	42" - BKXB-CTP-014-59 48" - BKXB-CTP-014-59	42" - BKXB-CTP-014-59 48" - BKXB-CTP-014-59	42" - BKXB-CTP-014-59 48" - BKXB-CTP-014-59	Cotter Pin - 3/16" x 1 1/2"		1
1F	42" - BKSLOA1274 48" - BKSLOA1274	42" - BKSLOA1274 48" - BKSLOA1274	42" - BKSLOA1274 48" - BKSLOA1274	42" - BKSLOA1274 48" - BKSLOA1274	Cam Plate		2
1G	42" - BKSLOA1261 48" - BKSLOA1261	42" - BKSLOA1261 48" - BKSLOA1261	42" - BKSLOA1261 48" - BKSLOA1261	42" - BKSLOA1261 48" - BKSLOA1261	Lock Pin Hutch Style - 1 5/8" Dia.		4
	42" - BKSLOA1238 48" - BKSLOA1238	42" - BKSLOA1238 48" - BKSLOA1238	42" - BKSLOA1238 48" - BKSLOA1238	42" - BKSLOA1238 48" - BKSLOA1238	Lock Pin - 1 3/8" Dia. - All Others		4
1H	42" - BKXB-SPG-020-35 48" - BKXB-SPG-020-35	42" - BKXB-SPG-020-35 48" - BKXB-SPG-020-35	42" - BKXB-SPG-020-35 48" - BKXB-SPG-020-35	42" - BKXB-SPG-020-35 48" - BKXB-SPG-020-35	Compression Spring		4
1J	42" - FW BKSL0A1445-02 48" - FW BKSL0A1445-01	42" - FW BKSL0A1445-02 48" - FW BKSL0A1445-01	42" - FW BKSL0A1445-02 48" - FW BKSL0A1445-01	42" - FW BKSL0A1445-02 48" - FW BKSL0A1445-01	Angled Pull Handle		1
1K	42" - BKSLOA1239-01 48" - BKSLOA1239-02	42" - BKSLOA1239-01 48" - BKSLOA1239-02	42" - BKSLOA1239-01 48" - BKSLOA1239-02	42" - BKSLOA1239-01 48" - BKSLOA1239-02	Pin Pull Rod		4
1L	42" - BKXB-PW-016-85 48" - BKXB-PW-016-85	42" - BKXB-PW-016-85 48" - BKXB-PW-016-85	42" - BKXB-PW-016-85 48" - BKXB-PW-016-85	42" - BKXB-PW-016-85 48" - BKXB-PW-016-85	Washer - 1/2" (Pin Pull Rod)		8
1M	42" - BKXB-SLOA1054 48" - BKXB-SLOA1054	42" - BKXB-SLOA1054 48" - BKXB-SLOA1054	42" - BKXB-SLOA1054 48" - BKXB-SLOA1054	42" - BKXB-SLOA1054 48" - BKXB-SLOA1054	Slider Pad - 96" (long)		2
1N	42" - BKSLO523-07 48" - BKSLO523-07	42" - BKSLO523-07 48" - BKSLO523-07	42" - BKSLO523-07 48" - BKSLO523-07	42" - BKSLO523-07 48" - BKSLO523-07	Spacer (Cam Shaft Stop)		1
1P	42" - BKXB-STS-008-16 48" - BKXB-STS-008-16	42" - BKXB-STS-008-16 48" - BKXB-STS-008-16	42" - BKXB-STS-008-16 48" - BKXB-STS-008-16	42" - BKXB-STS-008-16 48" - BKXB-STS-008-16	Self Tap Screw - 5/16"-18 x 3/4"		16
1R	42" - BKXB-HHC-001-33 48" - BKXB-HHC-001-33	42" - BKXB-HHC-001-33 48" - BKXB-HHC-001-33	42" - BKXB-HHC-001-33 48" - BKXB-HHC-001-33	42" - BKXB-HHC-001-33 48" - BKXB-HHC-001-33	Hold Down Bracket Bolt - 1/2"-13 x 1 1/4"		8
1S	42" - BKXB-SLN-012-42 48" - BKXB-SLN-012-42	42" - BKXB-SLN-012-42 48" - BKXB-SLN-012-42	42" - BKXB-SLN-012-42 48" - BKXB-SLN-012-42	42" - BKXB-SLN-012-42 48" - BKXB-SLN-012-42	Hold Down Bracket Lock Nut - 1/2"-13		8

* SwingAlign non-welded style "adjustable" frame bracket on roadside; welded style "fixed" frame bracket on curbside.

*** CL = Holland slider box rail style; CH = Hutch slider box rail style; CT = TTMA slider box rail style; CU = Utility slider box rail style.

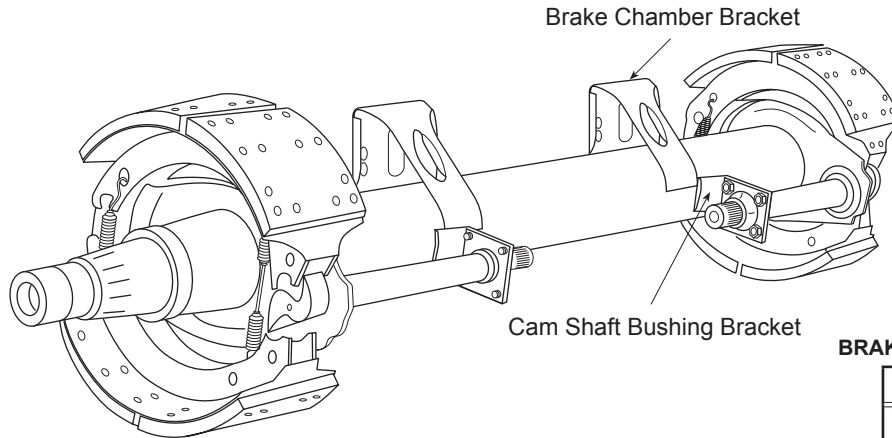


Axles.....	10-1
Camshafts	10-2
Bearings and Races	10-3
Hub and Drum Assemblies	10-4
Drums	10-5
Wheels and Rims	10-6
Slack Adjusters	10-7
Wheel Seals	10-8
Wheel Seal Interchange Chart	10-9
Hubodometers	10-10
Hubcaps	10-11
Miscellaneous Parts	10-12





Note: Non-ABS TN/TQ Axle pictured. Axles no longer offered without sensor blocks.



Assembled Axle Quotes Available Upon Request

For Brake Hardware Kits, see page 10-12

BRAKE CHAMBER BRACKET

Stoughton Number
DNM10WJ227
RW3299-A-5981

CAM SHAFT BUSHING BRACKET

Stoughton Number
DNM16WHR50-L/R
RW3299-T-5844

71.5" TRACK / 16.5 X 7 BRAKE

Stoughton Number	Description	Camshaft Application	Remarks
AXL 71-50-STD	1/2 Wall – Standard Cams	A	For Spring Ride
AXL 71-62-LNG	5/8 Wall – Long Cams	B	For Air Ride

77.5" TRACK / 16.5 X 7 BRAKE

Stoughton Number	Description	Camshaft Application	Remarks
AXL 77-50-STD	1/2 Wall – Standard Cams	C	For Spring Ride
AXL 77-62-INT	5/8 Wall – Intermediate Cams	E	For CB400/4000
AXL 77-62-LNG	5/8 Wall – Long Cams	D	For Air Ride

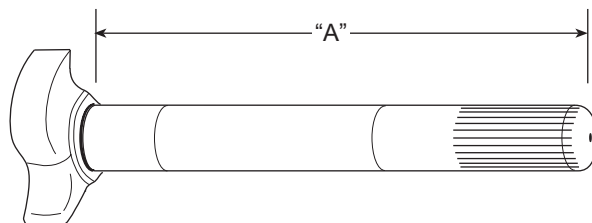
Note: All axles are Rockwell, TN/TQ Spindles, ABS ready with 16.5 x 7 standard production brake lining.

CAMSHAFT APPLICATION

Camshaft Application	Stoughton Number	Rebush Kit	Remarks
A	RW2210-Q-8155 RW2210-R-8156	RWKIT8069	RH LH
B	RW2210-D-6868 RW2210-E-6869	RWKIT8069	RH LH
C	RW2210-Q-8155 RW2210-R-8156	RWKIT8078	RH LH
D	RW2210-D-6868 RW2210-E-6869	RWKIT8078	RH LH
E	RW2210-F-6870 RW2210-G-6871	RWKIT8091	RH LH

CAMSHAFTS

SPICER®



**10 SPLINE "S" HEAD
FOR 12 1/4" BRAKES**

Stoughton Number	"A"
DNM12WKL10-184	18 1/2"
DNM12WKR10-184	18 1/2"

**28 SPLINE "S" HEAD
FOR 12 1/4" BRAKES**

Stoughton Number	"A"
DNM12WKL20-233	23 3/8"
DNM12WKR20-233	23 3/8"

10 SPLINE "S" HEAD

Stoughton Number	"A"
DNM16WKL10-196	19 3/4"
DNM16WKL10-205	20 5/8"
DNM16WKL10-227	22 7/8"
DNM16WKL10-231	23 1/8"
DNM16WKL10-236	23 3/4"
DNM16WKL10-264	26 1/2"
<hr/>	
DNM16WKR10-196	19 3/4"
DNM16WKR10-205	20 5/8"
DNM16WKR10-227	22 7/8"
DNM16WKR10-231	23 1/8"
DNM16WKR10-236	23 3/4"
DNM16WKR10-264	26 1/2"

28 SPLINE "S" HEAD

Stoughton Number	"A"
DNM16WKL20-175	17 5/8"
DNM16WKL20-205	20 5/8"
DNM16WKL20-227	22 7/8"
DNM16WKL20-231	23 1/8"
DNM16WKL20-236	23 3/4"
DNM16WKL20-242	24 1/4"
<hr/>	
DNM16WKR20-175	17 5/8"
DNM16WKR20-205	20 5/8"
DNM16WKR20-227	22 7/8"
DNM16WKR20-231	23 1/8"
DNM16WKR20-236	23 3/4"
DNM16WKR20-242	24 1/4"

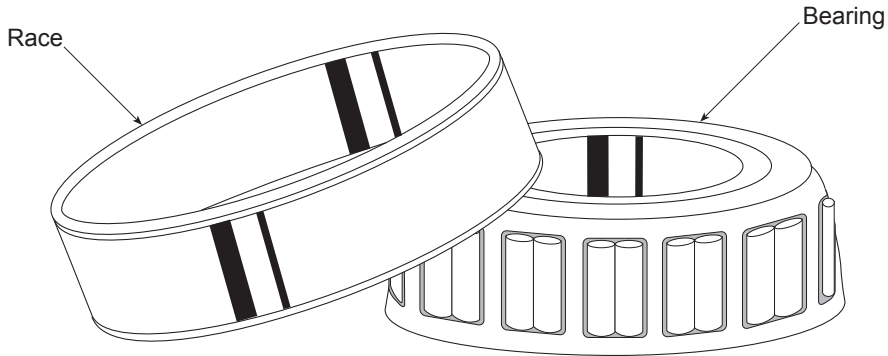
**28 SPLINE ROCKWELL CAMSHAFT
1 1/2" DIAMETER**

Stoughton Number	"A"
DNR16WKL21-243	24 3/8"

**37 SPLINE PROPAR CAMSHAFT
1 5/8" DIAMETER**

Stoughton Number	"A"
DNP16WKL30-164	16 1/2"
DNP16WKL30-214	21 1/2"
<hr/>	
DNP16WKL30-164	16 1/2"
DNP16WKL30-214	21 1/2"

Arvin-Meritor (Rockwell) camshafts also available.
Contact Stoughton Parts Sales with your needs.



**General
HYATT®**

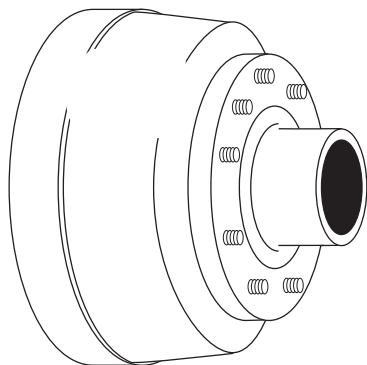
TIMKEN®
REGISTERED TRADEMARK

BEARINGS	RACES
Stoughton Number	Stoughton Number
GB28622	GB3720
GB28682	GB39520
GB3782	GB45220
GB39590	GB47620
GB45280	GB572
GB47686	GB592A
GB563	GB653
GB567	GBHH506310
GB580	GBHM212011
GB582	GBHM218210
GB593	GBHM518410
GB594A	
GB598A	
GB663	
GB665A	
GB752	
GB756A	
GBH715311	
GBH715345	
GBHM212047	
GBHM212049	
GBHM218248	
GBHM518445	

BEARINGS	RACES		
Stoughton Number	Remarks	Stoughton Number	Remarks
TB28622		TB45220	
TB28682		TBHM212011	Outer*
TB3782		TBHM218210	Inner*
TB45280		TBHM518410	
TB47686			
TB593			
TB665A			
TB752			
TB756A			
TBH715311			
TBH715345			
TBHM212049	Outer*		
TBHM218248	Inner*		
TBHM518445			

* Production standards for TN/TQ axles

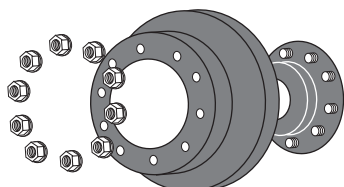
HUB AND DRUM ASSEMBLIES



OUTBOARD MOUNT (STUD MOUNT)

Stoughton Number	Vendor	Description
WB10209 – MR WB66893 WB101172	Webb	Hub (with Bearing Cups & Studs), Right Hand Drum* Studs, Right Hand
WB10209 – ML WB66893 WB101172	Webb	Hub (with Bearing Cups & Studs), Left Hand Drum* Studs, Left Hand

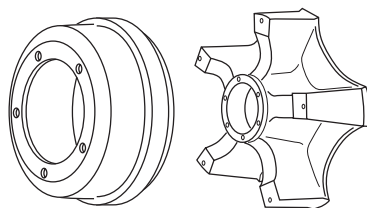
* Drum is also service replacement for Budd 2809004 and Hayes 2809003 assemblies



UNI-MOUNT 10 ASSEMBLY (HUB PILOTED)

Stoughton Number	Vendor	Consists Of:
WB20231UQ3KIT (Non ABS. Replaces Budd 106308 assy.) WB20231UQ3T-25KT (With ABS. Same, but uses WB20231--3T hub with toner ring.)	Webb	04 65081 000 00 Flanged Cap Nuts WB20231 – 3 Hub WB66864 Drum* WB101162 Studs WB101160 Stud for Alum. Wheels (optional)

* Drum is also service replacement for Hayes 2809001 and 4809001 assemblies

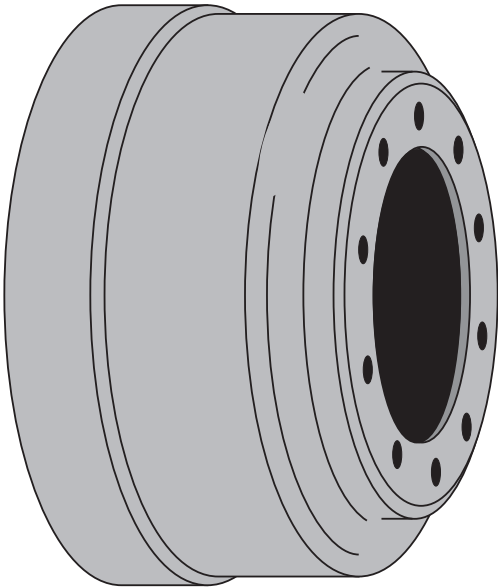


5 SPOKE HUB & DRUM

Stoughton Number	Vendor	Description
WB75209 – A WB67518	Webb #7520	Hub Assembly Drum

Call with VIN (Serial Number) for correct application

Note: See page 10-12 for more Wheel Studs



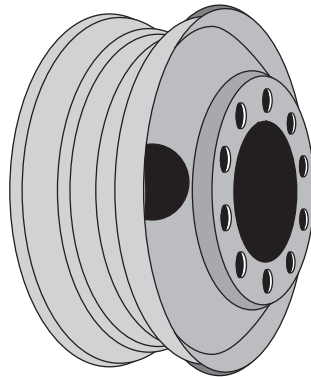
Webb Number	Gunite Number	Dayton Number
WB60876* WB61528B* WB61730 WB61780 WB62200*	3120 2577A 2705	120877 122600
WB62240 WB62997 WB63637 WB63680F* WB66864*	2730 2997	120574 122009 123416
WB66864F** WB66875F* WB66865B* WB66884* WB66884B*		123022
WB66893* WB66894* WB66895 WB66895B* WB68730*	3166 3141 3018A	122607 122550 122126
WB68760 WB67518* WB68765* WB68891 WB68891B*	2353C 2546C	122822 120586
WB68897 WB68927 WB68942 WB68981B* WB69996B	8656 3136A	120754 122455 12307

* Webb drums in stock are in our PDC. Call or log on for current inventory.

** Stoughton "Value" Drum replacement
04-65001-000-00 (cast instead of machined).

"Drop" Ship programs available for Webb, Arvin-Meritor and KIC-Reyco. Call with your needs.

WHEELS AND RIMS

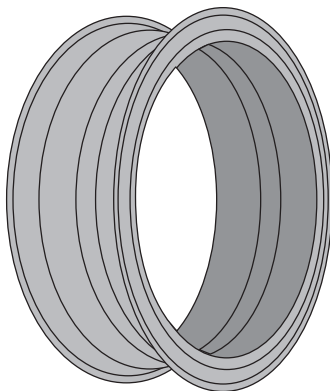


DISC WHEELS

Stoughton Number	Accuride Number	Hayes Wheel Number	Size	Material & Color	Remarks
04-65241-000-00 04-65241-245-00	Same as 28408		22.5" X 8.25"	Steel/White	Uni-mount*
	Same as 28409		24.5" X 8.25"	Steel/White	Uni-mount*
	AC27404	HA 87905	22.5" X 8.25"	Steel / White	Ball-N-Seat
	AC27406	HA 87897	24.5" X 8.25"	Steel / White	Ball-N-Seat
	AC28408	HA 90541	22.5" X 8.25"	Steel / White	Uni-mount
	AC28409	HA 90542	24.5" X 8.25"	Steel / White	Uni-mount

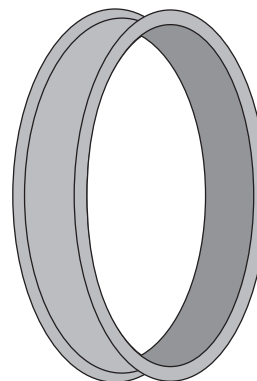
* Powder coated, includes valve stem.

Note: Accuride powder coated wheels - number is the same except the first digit changes from 2 to 5.



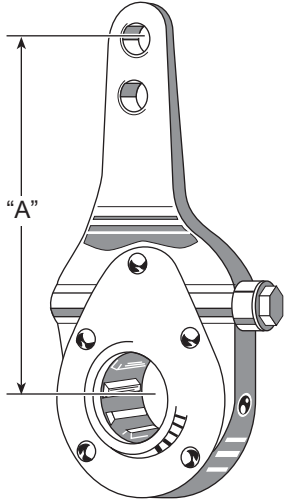
RIMS

Stoughton Number	Size	Color
AC262FL2	20" x 7.50"	Gray
AC30391N-22.5	22.5" x 8.25"	Gray
AC30391N-24.5	24.5" x 8.25"	Gray



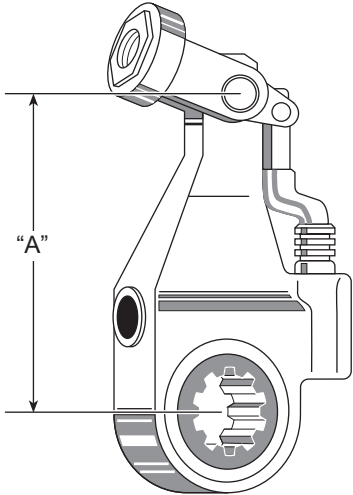
RIM SPACERS

Stoughton Number	Size	Color
AC3520KSB	20" x 3.63"	Gray
AC4020KSB	20" x 4"	Gray
AC4220KSB	20" x 4.25"	Gray
AC4420KSB	20" x 4.50"	Gray



MANUAL SLACK ADJUSTERS

Stoughton Number	Spline	"A"
MKN44041	37	6"
MKN44051	28	5", 6"
MKN44061	28	5 1/2", 6 1/2"
MKN47001	10	5", 6", 7"
MKN47011	10	5 1/2", 6 1/2"
MKN48031	10	5 1/2"
SIS2010A	10	5", 6", 7"
SIS2022A	28	5", 6", 7"



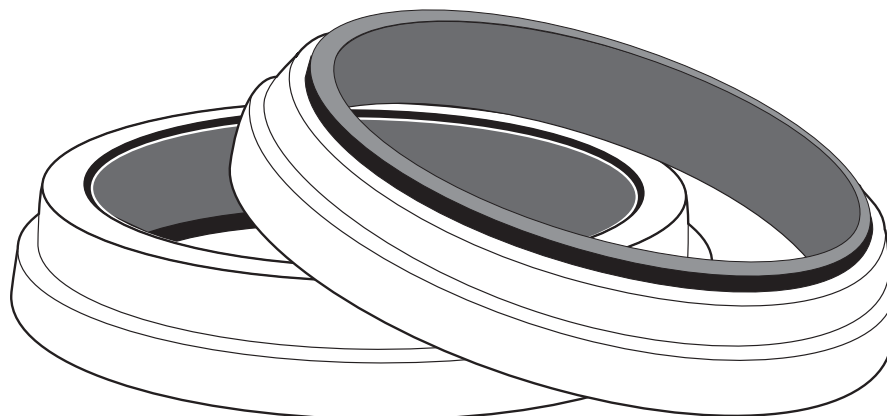
AUTOMATIC SLACK ADJUSTERS

Stoughton Number	Spline	"A"
CI21102	10	5 1/2", 6 1/2"
CI21103	10	5", 6"
CI22102	28	5 1/2", 6 1/2"
CI22103	28	5", 6"
CI23102	37	5 1/2", 6 1/2"
CI23106	37	6"
HX400-10143	10	5 1/2"
HX400-10211	28	5 1/2"
HX400-10212	28	6"
HX400-10216	10	6"
RWR801003	28	5 1/2"
RWR801074	28	6"
RWR801102	37	6"

Crewson
Industries

Haldex[®]



WHEEL SEALS

Stemco Number
ST307-0713 ST307-0723 ST307-0743 ST308-0836
ST308-0853 ST308-0856 ST308-0864 ST309-0903
ST309-0912 ST309-0915 ST309-0960 ST309-0964
ST309-0973 ST372-7003 ST373-0144 ST372-7097
ST372-7098 ST372-7099 ST382-8023 ST382-8028
ST382-8034 ST382-8036 ST383-8139 ST382-8053
ST382-8056 ST392-9012 ST392-9081 ST392-9087
ST392-9088 ST392-9094 ST392-9096 ST392-9132
ST392-9098 ST392-9099 ST392-9112



WHEEL SEAL INTERCHANGE CHART

Triseal		Stemco			CR	National	Carrier	Eaton
Part Number								
Standard Service	Severe Service	Saturn Unitized	Set	Seal	Part Number			
Trailer Axle								
TS69541	TS70541	.	ST372-7024	ST320-2173	42624	370107A	M740400	.
TS69541	TS70541	.	ST372-7091	ST320-2173
TS69590	.	.	ST372-7006	ST320-1036	35705	370002A	M746400	.
TS69520	TS70596	TS65262U	ST372-7023	ST320-2023	42622	370065A	M745400	851
TS69520	TS70596	TS65262U	ST372-7099	ST320-2023	42623	370590A	.	.
TS69520	TS70596	TS65262U	ST307-0723	ST327-2705
TS69510	TS70597	TS65261U	ST372-7013	ST320-2109	40133	370036A	M747400	850
TS69510	TS70597	TS65261U	ST372-7098	ST320-2109	40136	.	.	.
TS69510	TS70597	TS65261U	ST307-0713	ST327-2704
TS69598	TS70598	TS65060U	ST372-7043	ST320-2110	46304	370025A	M745400	859
TS69598	TS70598	TS65060U	ST372-7097	ST320-2110	46305	380025A	M755400	.
TS69598	.	TS65060U	ST307-0743	ST327-2701
TS69599	.	TS65298U	ST372-7095	ST320-2118	43752	370037A	M749400	853
TS69599	.	TS65298U	ST307-0744	ST327-2709	43753	370338A	.	.
Front Axle								
TS69611	.	TS65116U	ST382-8017	ST320-2017	32470	370018A	M710400	.
TS69628	.	TS65294U	ST382-8039	ST320-2039	39988 W/455031	370033A W/AR12	M719400 W/401253	.
TS69628	.	TS65294U	.	.	39977 W/455031	.	.	.
TS69690	.	.	ST382-8028	ST320-2028	48794	370007A	M708400	.
TS69692	.	TS65000U	ST382-8053	ST320-2181	44919	370124A	M714400	855
TS69692	.	TS65000U	ST308-0853	ST327-2708	44922	.	.	.
TS69693	.	TS65291U	ST382-8034	ST320-2034	36285	370012A	M709400	.
TS69693	.	TS65291U	M716400	.
TS69695	.	.	ST382-8044	ST320-2105	28832	370054A	M725400	.
TS69696	.	TS65078U	ST382-8056	ST320-2199	45102	370131A	M736400	857
TS69696	.	TS65078U	ST308-0856	ST327-2710	45103	.	.	.
TS69697	.	TS65092U	ST382-8064	ST320-2137	43763	370048A	M706400	.
TS69697	.	TS65092U	ST308-0864	ST327-2711	43764	370182A	.	.
TS69698	.	.	ST382-8060	ST320-2023	43800 W/455034	370020A W/AR10	.	.
TS69699	.	TS65263U	ST382-8036	ST320-2036	35059	370001A	M705400	847
TS69699	.	TS65263U	ST308-0836	ST327-2702	35066	380001A	.	.
Drive Axle								
TS69705	.	TS65275U	ST392-9010	ST320-2010	38709	370033A	M776400	.
TS69706	.	.	ST392-9099	ST320-2102	38780	370008A	.	.
TS69706	.	.	ST309-0912	ST327-2707
TS69743	.	TS65027U	ST392-9045	ST320-2091	42550 W/455024	370106A W/AR12	M760400	.
TS69780	.	.	ST392-9019	ST320-2009	48792	370057A	M786400	.
TS69781	.	TS65030U	ST392-9089	ST320-2097	52658	370069A	M791400	.
TS69782	.	.	ST392-9062	ST320-2001	48884	370121A	M769400	.
TS69785	.	TS65111U	ST392-9035	ST320-2057	34386	370047A	.	.
TS69785	.	TS65111U	ST309-0935	ST327-2728	34387	.	.	.
TS69787	.	.	ST392-9057	ST320-2104	39425	370009A	M788400	.
TS69788	TS70788	TS65071U	ST392-9112	ST320-2213	42672	370031A	M789400	852
TS69788	TS70788	TS65071U	ST309-0904	ST327-2718
TS69789	TS70789	TS65283U	ST392-9087	ST320-2162	47699	370006A	M790400	.
TS69789	TS70789	TS65283U	ST309-0970	ST327-2716
TS69791	TS70791	TS65172U	ST392-9064	ST320-2113	45158	370021A	M772400	858
TS69791	TS70791	TS65172U	ST392-9088	ST320-2113	45160	.	.	.
TS69791	TS70791	TS65172U	ST309-0964	ST327-2712
TS69794	.	TS65152U	ST392-9099	ST320-2102	38779	370023A	M770400	849
TS69794	.	TS65152U	ST309-0912	ST327-2707	38780	.	.	.
TS69794	.	TS65024U	ST392-9099	ST320-2102	38750	370024A	M777400	848
TS69794	.	TS65024U	ST309-0915	ST327-2715
TS69795	.	.	ST392-9095	ST320-2117	42800	370030A	M762400	.
TS69796	.	.	ST309-0961	ST327-2719
TS69796	TS70796	TS65270U	ST392-9003	ST320-2129	45097	370022A	M785400	856
TS69796	TS70796	TS65270U	ST392-9094	ST320-2129	45099	.	.	.
TS69796	TS70796	TS65270U	ST309-0903	ST327-2706
TS69797	.	TS65184U	ST392-9096	ST320-2114	43860	370019A	M771400	854
TS69797	.	TS65184U	ST309-0965	ST327-2713	43865	.	M782400	.
TS69798	TS70798	TS65065U	ST392-9060	ST320-2115	48000	370005A	M763400	860
TS69798	TS70798	TS65065U	ST392-9097	ST320-2115	48001	.	.	.
TS69798	TS70798	TS65065U	ST309-0960	ST327-2717
TS69799	TS70799	TS65056U	ST392-9073	ST320-2106	47695	370003A	M761400	861
TS69799	TS70799	TS65056U	ST392-9098	ST320-2106	47697	380003A	.	.
TS69799	TS70799	TS65056U	ST309-0973	ST327-2703

HUBODOMETERS



VEEDER-ROOT HUBODOMETERS

Stoughton Number	Stoughton Number
V777717-475	V777717-525
V777717-484	V777717-546
V777717-490	V777717-572
V777717-494	V777717-588
V777717-500	V777717-600
V777717-510	V777717-612
V777717-514	V777717-624
V777717-520	V777717-637



STEMCO HUBODOMETERS

Stoughton Number	Stoughton Number
ST650-0587	ST650-0610
ST650-0593	ST650-0613
ST650-0598	ST650-0626
ST650-0601	ST650-0627
ST650-0605	ST650-0687
ST650-0608	

VEEDER-ROOT HUBODOMETER MOUNTING BRACKETS

Stoughton Number
V325614-012
V325614-101
V325614-107
V325614-108

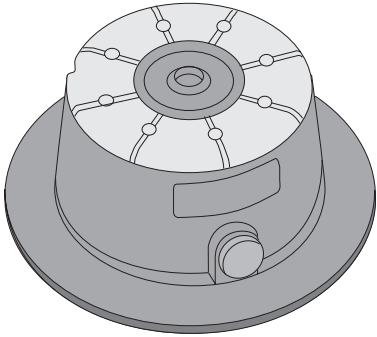
STEMCO HUBODOMETER MOUNTING BRACKETS

Stoughton Number
ST610-0003
ST610-0006
ST610-0007
ST610-0065
ST610-0084
ST640-0001
ST640-0003

For correct Hubodometer application,
call with:

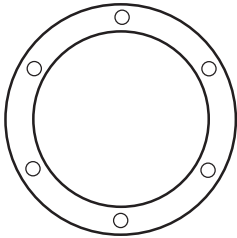
- Tire
- Size
 - Make
 - Model

- Hubcap
- Make
 - Model



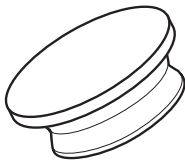
HUBCAPS

Stoughton Number	Vendor	Description
DDD-5/6H DDD-5/6P DDD-6G DDD-6H DDD-6P DDD-P DDD-7.5G	Dual Dynamics	5, 6 Hole Hubo Mount 5, 6 Hole with Plug 6 Hole Grease Cap 6 Hole Hubo Mount 6 Hole with Plug Propar 6 Hole Grease 6 1/2" Bolt Circle
ST340-4009 ST340-4013 ST340-4019 ST340-4024 ST340-4034 ST340-4042 ST340-4066 ST340-4075 ST340-4095 ST340-4186 ST340-4195 ST340-4249 ST342-4009	Stemco	6 Hole 5 1/2" Bolt Circle 5 Hole 5 1/2" Bolt Circle 3 Hole 5 1/4" Bolt Circle 6 Hole 4 1/2" Bolt Circle 6 Hole 6 5/8" Bolt Circle 6 Hole 5 1/8" Bolt Circle 6 Hole 5 1/8" Bolt Circle Propar 6 1/4"-8 Threads 6 Hole 5 1/2" Bolt Circle 4 Hole 5" Bolt Circle 6 Hole 6 3/4" Bolt Circle 6 Hole 5 1/2" Bolt Circle Grease Cap



HUBCAP GASKETS

Stoughton Number	Vendor	Description
DDD-5/6HG ST330-3009	Dual Dynamics Stemco	5, 6 Hole 6 Hole



RUBBER HUBCAP PLUGS

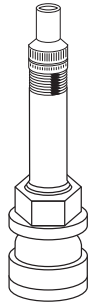
Stoughton Number	Vendor
DDD-HP ST359-5990	Dual Dynamics Stemco

KENDALL "EBL" SEMI-FLUID GREASE

Stoughton Number	Kendall Number	Remarks
04 86131 000 00	K78971661	5 Gallon Pail (35 lbs)*

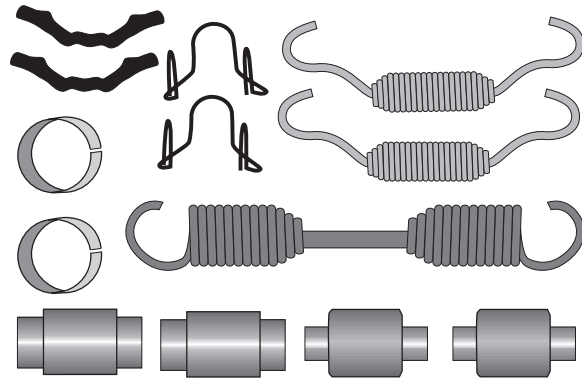
* Requires 1 1/2 lbs per hub

MISCELLANEOUS PARTS



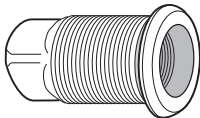
VALVE STEM

Stoughton Number
ACTR-573



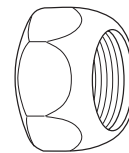
BRAKE KIT

Stoughton Number
SIQK-1HD



INNER CAP NUT

Stoughton Number	Dimensions
BD10708	3/4 + 1 1/8"-16 x 2 1/8"
BD10709	



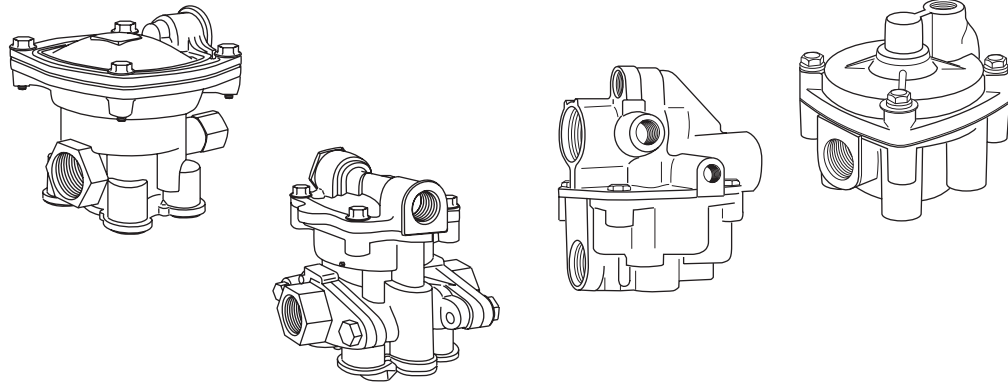
OUTER CAP NUTS

Stoughton Number	Dimensions
BD37891	1 1/8"-16
BD37892	1 1/8"-16

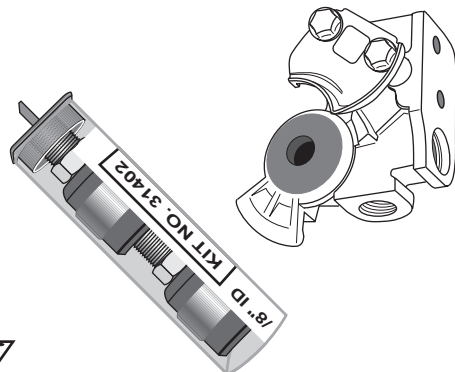
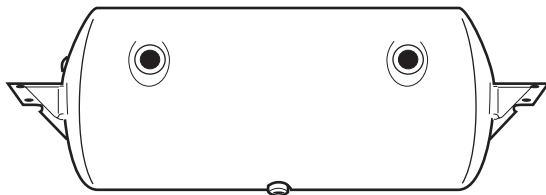


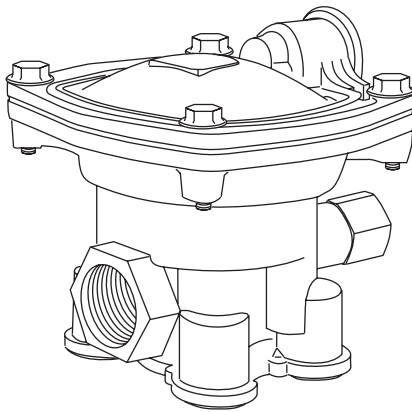
WHEEL STUDS

Stoughton Number	Description
BD106201	Right-Hand Ball 'n' Seat – Budd Metric
BD106202	Left-Hand Ball 'n' Seat – Budd Metric
BD106216	Uni-mount – Budd Metric
BD106397	Uni-mount – DBL Aluminum Wheels
HA3018501	Stud Aluminum Wheel – Hayes
HA3018503	Stud Standard Unimount– Hayes
WB101160	Uni-mount – Aluminum Wheels
WB101162	Uni-mount
WB101172	Right-Hand Ball 'n' Seat for 2023 Hub
WB101173	Left-Hand Ball 'n' Seat for 2023 Hub
WB159183	Left-Hand Ball 'n' Seat for 1020 Hub
WB159184	Right-Hand Ball 'n' Seat for 1020 Hub



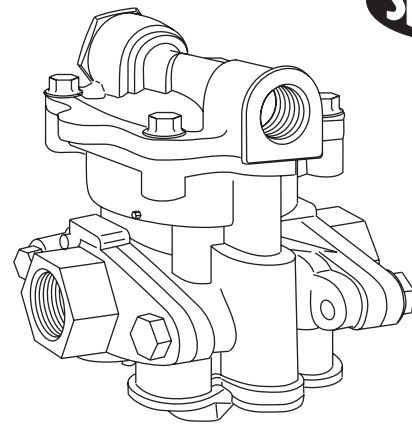
Air Valves.....	11-1
Sealco	11-1
Haldex.....	11-4
Bendix	11-5
Tramec.....	11-6
Air Tanks.....	11-7
Stoughton.....	11-7
Brake Chambers.....	11-8
Gladhands	11-9
Stoughton.....	11-9
Gladhand Components.....	11-10
Stoughton.....	11-10
Air Hose and Hardware	11-11
Stoughton.....	11-11
Drain Valves	11-15
Stoughton.....	11-15





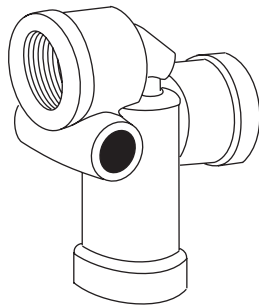
RELAY VALVE

Stoughton Number
SA110600



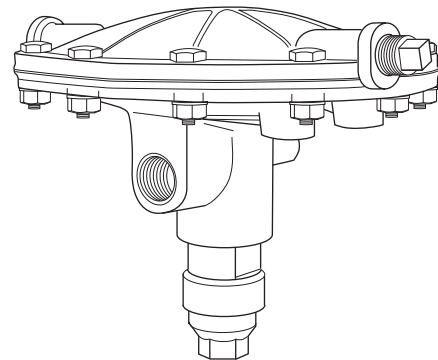
SPRING BRAKE VALVE

Stoughton Number
SA110310
SA110170
SA110171
SA110191



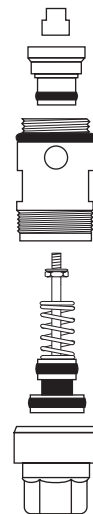
PRESSURE PROTECTION VALVE

Stoughton Number
SA140270



TRAILER VALVE

Stoughton Number
SAA1000S

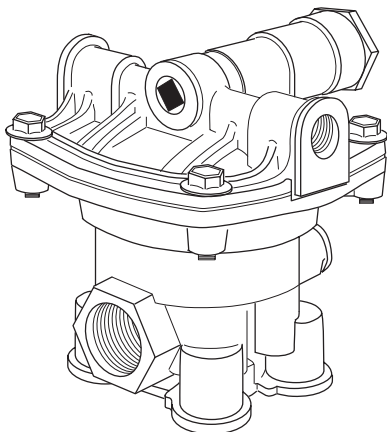


CARTRIDGE

Stoughton Number
SA1000-5A

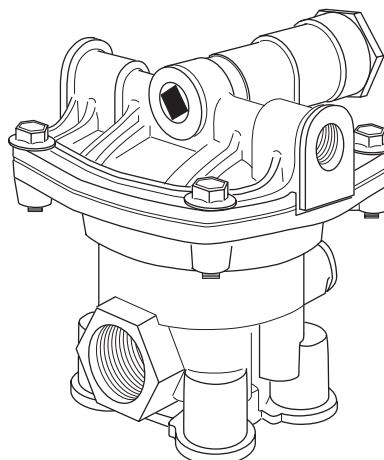
AIR VALVES

Sealco



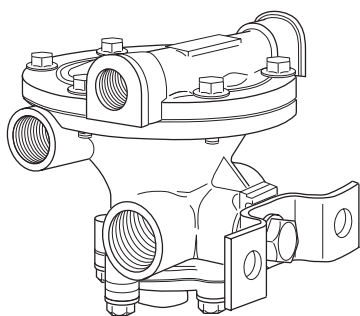
RELAY EMERGENCY VALVE

Stoughton Number
SA110200
SA110205
SA110470



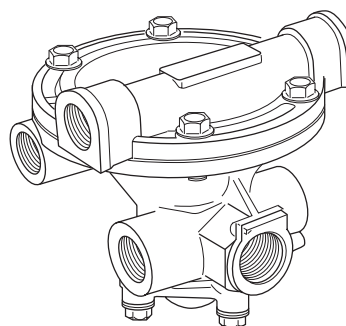
DOLLY VALVE

Stoughton Number
SA110338



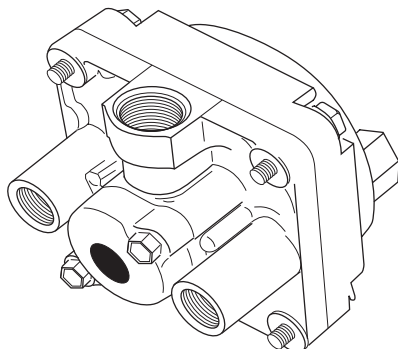
RELAY VALVE

Stoughton Number
SA110207



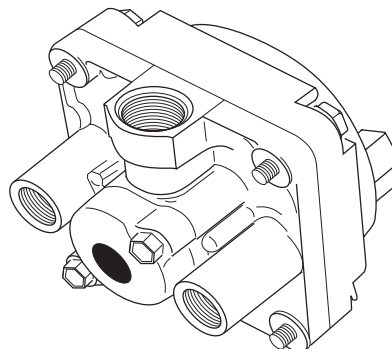
RELAY VALVE

Stoughton Number
SA110197



LOW OPENING VALVE

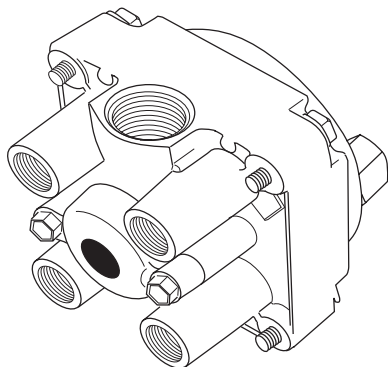
Stoughton Number
SA110365



RELAY VALVE

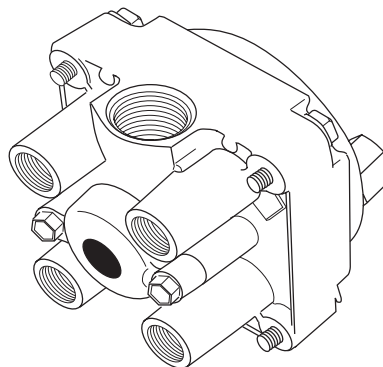
Stoughton Number
SA110410

For ABS parts, call with VIN (Serial Number) for correct application



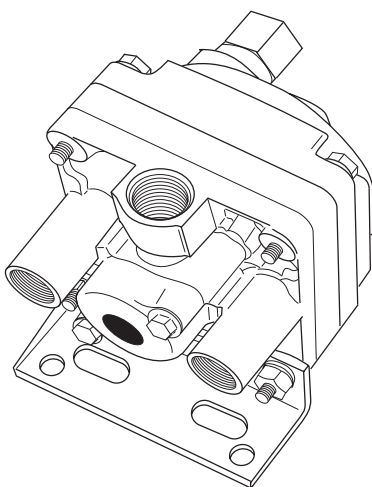
LOW OPENING VALVE

Stoughton Number
SA110380



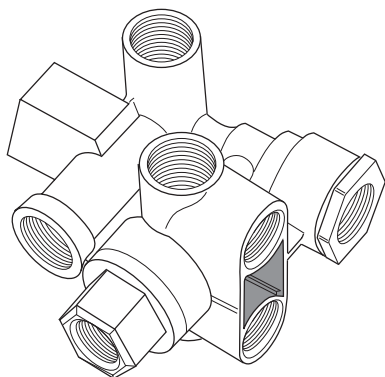
RELAY VALVE

Stoughton Number
SA110415



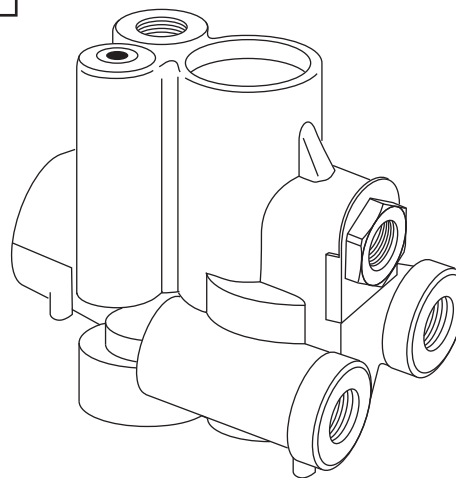
CONTROL LINE VALVE

Stoughton Number
SA110690



SPRING BRAKE CONTROL VALVE

Stoughton Number
SA110500



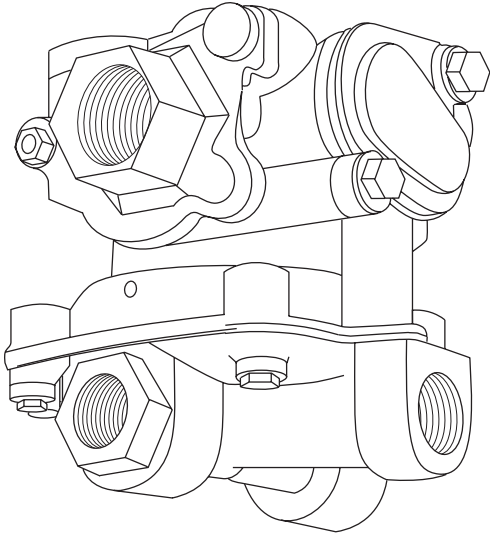
**SENSING TRAILER
EMERGENCY VALVE (STEV)**

Stoughton Number
TA51321

AIR VALVES

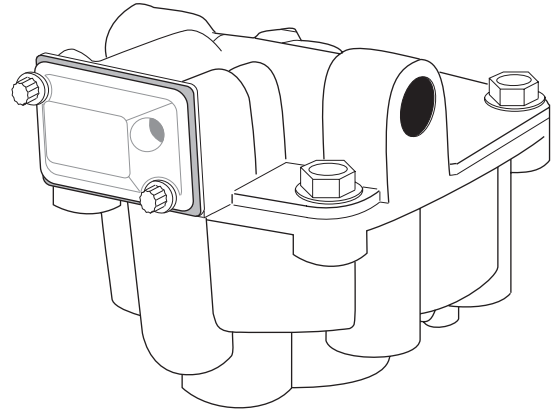
Haldex

Haldex[®]



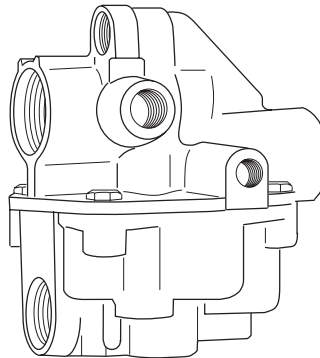
MULTI-FUNCTION VALVE – RT4

Stoughton Number	
MKN26010	MKN26020



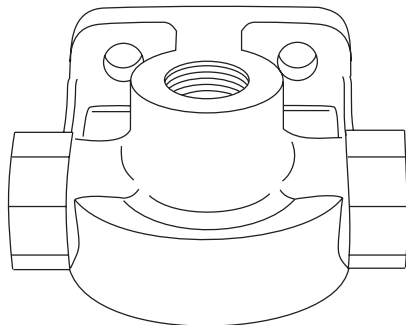
RELAY EMERGENCY VALVE

Stoughton Number	
MKN30200	MKN30300
MKN30300	MKN30400



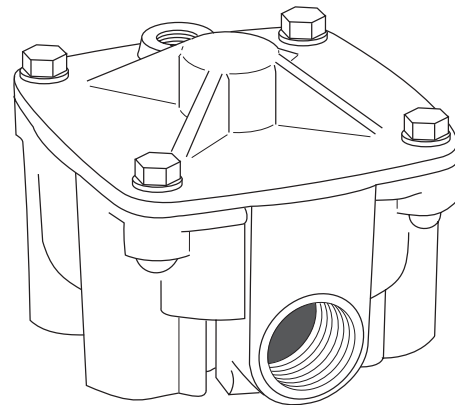
FULL FUNCTION VALVE

Stoughton Number	
MKN28600	MKN28601



QUICK RELEASE VALVE

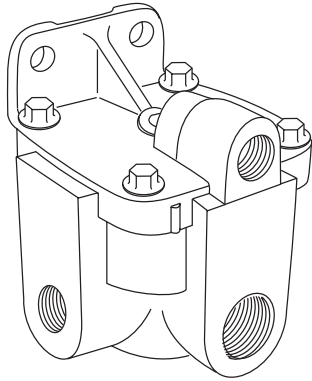
Stoughton Number	Inlet
MKN32005	3/8"
MKN32011	1/2"



RELAY VALVE – 4 PORT

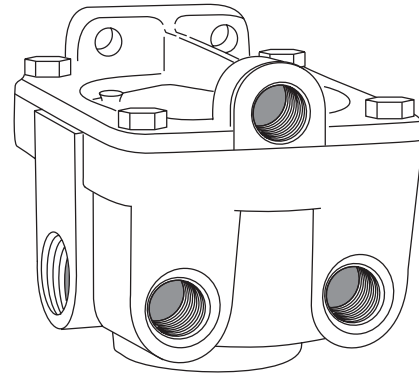
Stoughton Number	
MA103600	

AIR VALVES Haldex



RELAY VALVE – 2 PORT

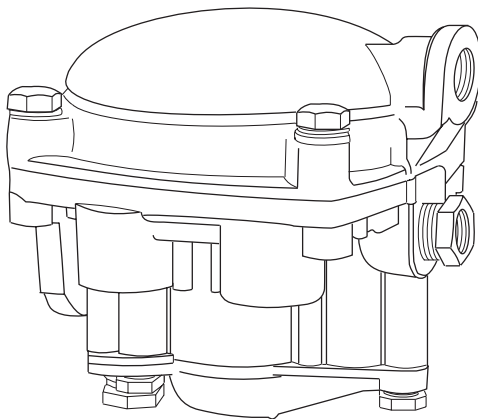
Stoughton Number
MKN28500
MKN28510
MKN28520



RELAY VALVE – 2 PORT

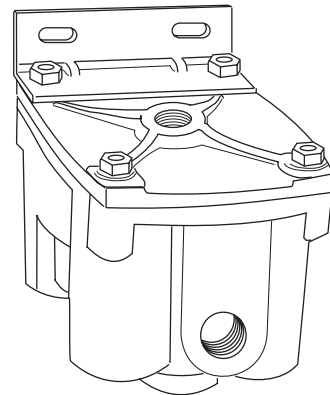
Stoughton Number
MKN28060
MKN28071
MKN28131
MKN28132
MKN28140

Bendix



RELAY EMERGENCY VALVE

Stoughton Number
BX281711

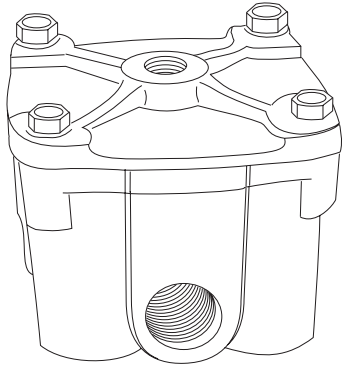


BOOSTER VALVE

Stoughton Number
BX102165

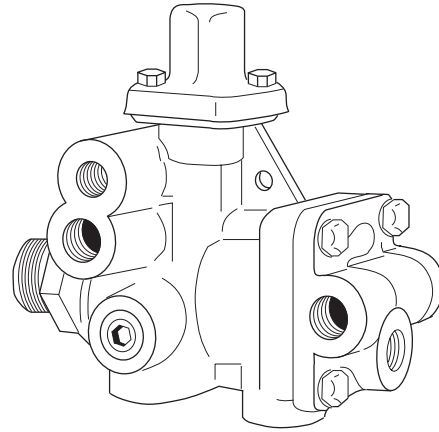
AIR VALVES

Bendix



RELAY VALVE - SERVICE

Stoughton Number
BX065104



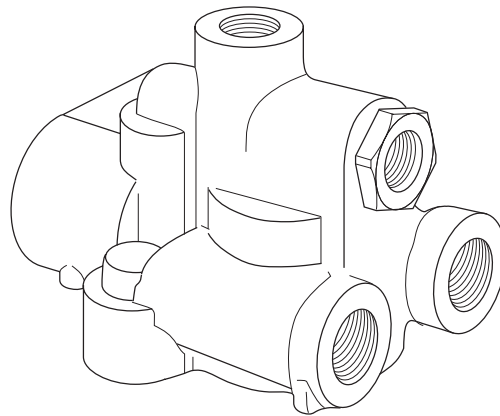
SPRING BRAKE VALVE SR5

Stoughton Number
BXKO33223

Tramec

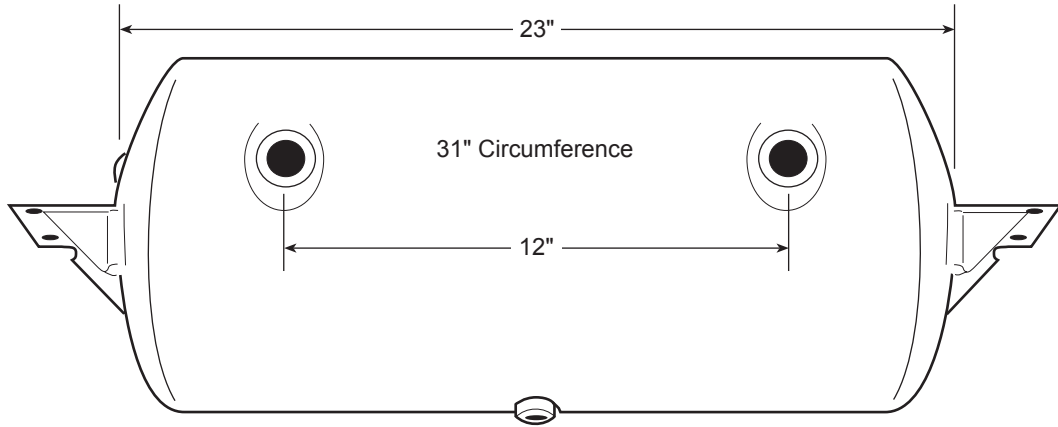
TRAMEC

Note: For ABS applications please call with last 8 letters/numbers of VIN.



SPRING BRAKE VALVE

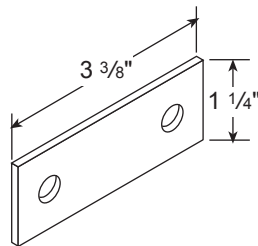
Stoughton Number
TA51301



AIR TANKS

Stoughton Number	Remarks	Port Sizes			Dimensions		
		Main Port	Drain Port	End Port	Tank Dia.	Bolt Centers	Tank Size
04 60355 000 00	Single Port	None	1/4" NPT	3/8" NPT	9 1/2"	27 1/2"	1488 in ³
04 60006 000 01	Universal	3/4" NPT	1/4" NPT	3/8" NPT	9 1/2"	27 1/2"	1488 in ³
04 60007 000 00	UPS #9542 Double Port	1/2" NPT	1/4" NPT	3/8" NPT	9 1/2"	27 1/2"	1488 in ³
04 60007 1214 00	Single Port	3/4" NPT	1/4" NPT	3/8" NPT	12"	29 1/2"	2574 in ³
04 60007 1214 20	Same as TM #9017-8-13	1/2" NPT	1/4" NPT	3/8" NPT	12"	29 1/2"	2574 in ³
04 60007 9513	Triple Port	1/2" NPT	1/4" NPT	3/8" NPT	9 1/2"	27 1/2"	1488 in ³
04 60007 9526	Double Port	3/4" NPT	1/4" NPT	3/8" NPT	9 1/2"	27 1/2"	1488 in ³
04 60007 9531	Double Port	1/2" NPT	1/4" NPT	1/2" NPT	9 1/2"	27 1/2"	1488 in ³
04 60007 9534	Double Port	3/4" NPT	1/4" NPT	3/8" NPT	9 1/2"	27 1/2"	1488 in ³
04 60007 9577 00	Same as TM #700-17-409	1/2" NPT	1/4" NPT	3/8" NPT	9 1/2"	27 1/2"	1488 in ³
*04 60476 000 00	Double Port	3/4" NPT	1/4" NPT	3/8" NPT	12"	29 1/2"	2574 in ³

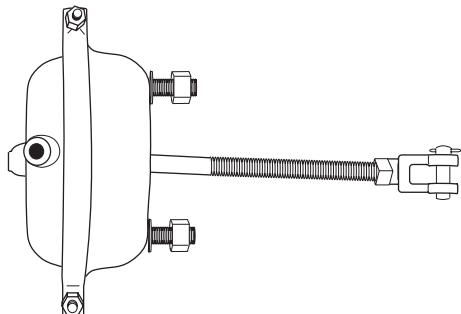
* "Jumbo" single tank system



RUBBER PAD - AIR TANK

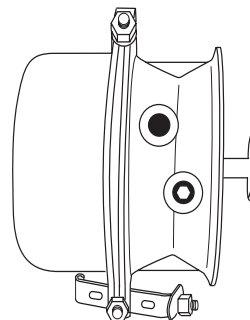
Stoughton Number
04 60058 000 00

BRAKE CHAMBERS



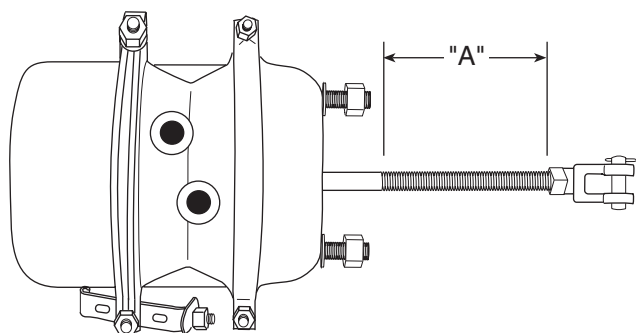
AIR CHAMBER ASSEMBLY

Stoughton Number	Type
DIP10400	24
DIP10500	30
MSC20	20
MSC24	24
MSC30	30



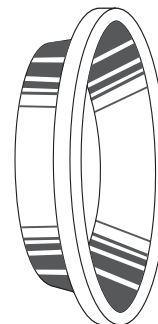
PIGGYBACK ASSEMBLY

Stoughton Number	Type
DIP18560	30 - 30
MGP3030	30 - 30
MGP3030KP40	
MGP2424L	24 - 24
MG3230008X	
MG3430008X	



SPRING BRAKE CHAMBER ASSEMBLY

Stoughton Number	Type	"A"
DIP12360	24 - 24	Long
DIP12560	30 - 30	Standard
DIP12581	30 - 30	Intraax
DIF12960	30 - 30	ELS
MGC3030CS	30 - 30	Full
MG3230051X	30 - 30	Long
MG3430051X	30 - 30	Standard
MG3430355	30 - 30	Intraax



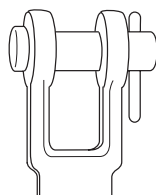
DIAPHRAGMS

Stoughton Number	Type
DIP92410	T24
DIP93010	T30
M18200	T20
M18240	T24
M18300	T30



CLAMP BAND KIT

Stoughton Number	Type
DIP92411	T24
DIP93011	T30
MRN21V	T24
MRN21X	T30



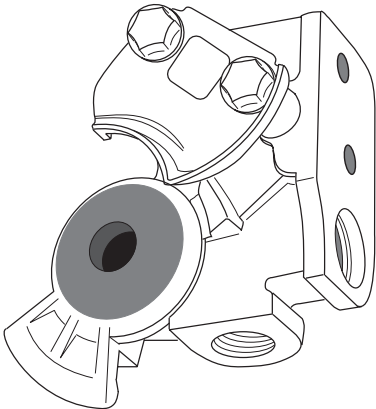
YOKE KIT

Stoughton Number
04 60357
DIP90013
MKN36470
TA53007



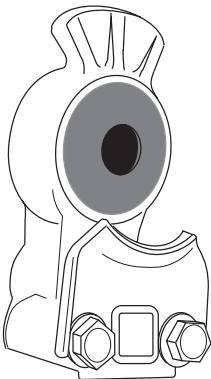
CLEVIS PIN

Stoughton Number	Diameter
M19100	1/8"
M19102	5/8"



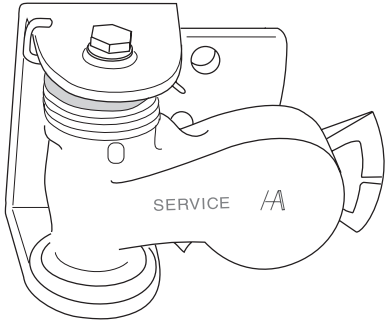
BRACKET MOUNT GLADHANDS

Stoughton Number	Description
M11440	Service, with Filter
M11441	Emergency, with Filter
TA36161	Service, 37°
TA36261	Emergency, 37°
TA36141	Service, 15°
TA36241	Emergency, 15°



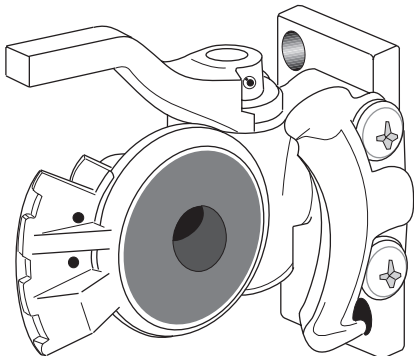
CONVENTIONAL GLADHANDS

Stoughton Number	Description
M11450	Universal, Aluminum
M11451	Emergency, Aluminum, No Filter
M11461	Emergency, Aluminum, with Filter
M11462	Service, Aluminum, with Filter
TA36101	Service
TA36201	Emergency
TA36301	Universal



SWIVEL GLADHANDS

Stoughton Number	Description
TA36131	Service
TA36231	Emergency

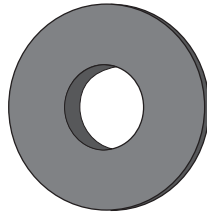


GLADHAND WITH VALVE

Stoughton Number	Description
SN441004	Service
SN441014	Emergency

GLADHAND COMPONENTS

Stoughton



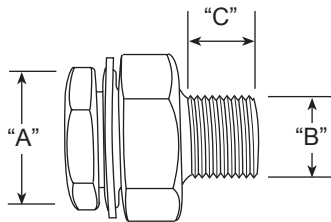
GLADHAND SEAL

Stoughton Number	Material
04 0002B 000 00	Red w/ Integrated Filter
04 0002R 000 00	Blue w/ Integrated Filter
M10024	Rubber
M10028	Rubber
TA36001	Rubber
TA36011	Blue Urethane
TA36012	Red Urethane



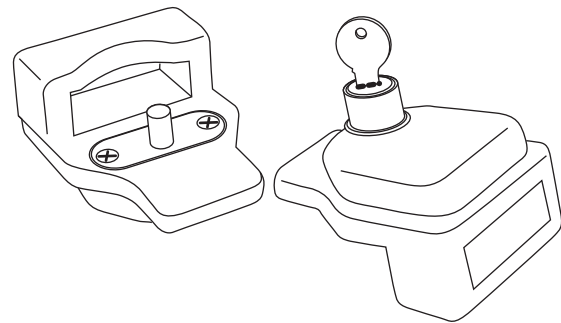
GLADHAND FILTER

Stoughton Number
M10035
TA36002



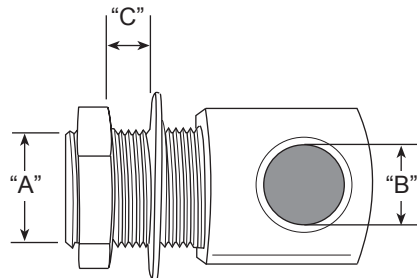
**CLAMPING STUDS FOR LOW PROFILE
INSTALLATION OF GLADHANDS**

Stoughton Number	"A" (NPT)	"B" (NPT)	"C"	O.A.L.
TA50012	1/2"	1/2"	1"-14	2.10"
TA50013	3/8"	1/2"	1"-14	1.85"



GLADHAND LOCK

Stoughton Number
BRGHL-12000



90° ANCHOR FITTING FOR FRONT GLADHAND HOSES

Stoughton Number	"A"	"B" (NPTF)	"C"	O.A.L.
TA50016	3/8" NPTF	3/8"	7/8"-20	2.20"
TA50017	3/8" NPTF	3/8"	7/8"-20	3.30"

AIR HOSE AND HARDWARE

Stoughton



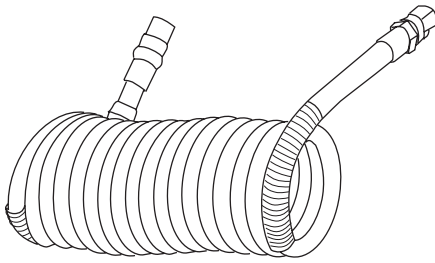
RUBBER BRAKE HOSE – 3/8"

Stoughton Number	Length
M11000	50'
M11001	250'



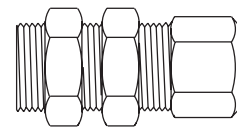
PLASTIC AIR LINE

Stoughton Number	Color	Remarks
04 60010 000 00	Blue	1/2" O.D.
04 60011 000 00	Red	1/2" O.D.
04 60099 000 00	Black	3/8" O.D.
04 60238 000 00	Blue	3/8" O.D.
04 60239 000 00	Red	3/8" O.D.



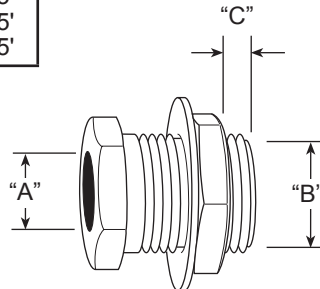
COILED AIRLINE

Stoughton Number	Color	Size
M11950	Black	1/2" x 12'
M11951	Black	3/8" x 12'
M11953	Black	3/8" x 15'
M11960	Red	1/2" x 12'
M11961	Blue	1/2" x 12'
PH11-312	R/B	1/2" x 12'
PH11-318	Blue	1/2" x 15'
PH11-3380	Red	1/2" x 15'
PH11-3390	Blue	1/2" x 15'
PH11-3400	R/B	1/2" x 15'
PH31-9623	Yellow	1/2" x 15'
TA55101	R/B	1/2" x 15'



FRAME ANCHOR

Stoughton Number
04 60025 000 00

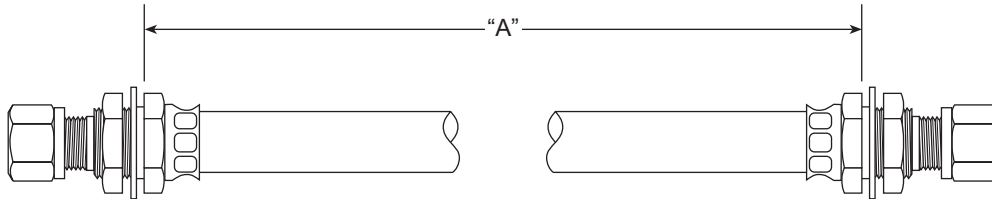


ANCHOR FITTING

Stoughton Number	"A" (NPT)	"B" (NPT)	"C"	O.A.L.
TA50004	1/8"	1/8"	5/8"	1 1/2"
TA50005	1/4"	1/4"	3/4"	1 1/2"
TA50006	3/8"	3/8"	1"	1 5/16"
TA50007	1/2"	1/2"	1 1/8"	1 1/2"

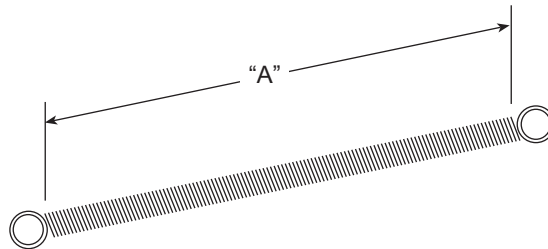
AIR HOSE AND HARDWARE

Stoughton



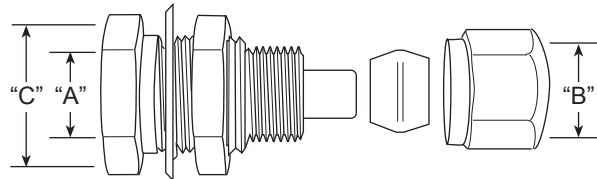
SLIDER HOSE ASSEMBLY
 $\frac{3}{8}$ " I.D. Hose, $\frac{3}{8}$ " O.D. Tube

Stoughton Number	"A"	Remarks
04 12827 078 00	78"	$\frac{7}{8}$ " I.D. Hose
04 12827 114 00	114"	$\frac{7}{8}$ " I.D. Hose
04 18503 114 00	114"	$\frac{1}{4}$ " I.D. Hose



SLIDER HOSE SPRING

Stoughton Number	"A"
M11600	26"
M11602	13 $\frac{1}{2}$ "
M11603	16 $\frac{1}{2}$ "

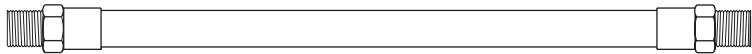


ANCHOR FITTING FOR TUBING AND SLIDER HOSES

Stoughton Number	"A" (NPT)	"B" (NPT)	"C"	O.A.L.
TA50008	$\frac{3}{8}$ "	$\frac{1}{2}$ " O.D. Tube	$\frac{7}{8}$ "	1 $\frac{3}{8}$ "
TA50009	$\frac{3}{8}$ "	$\frac{3}{8}$ " O.D. Tube	$\frac{7}{8}$ "	1 $\frac{3}{8}$ "

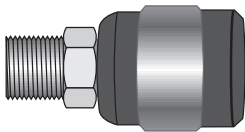
AIR HOSE AND HARDWARE

Stoughton



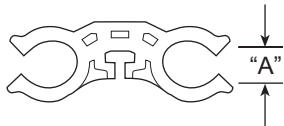
BRAKE HOSE ASSEMBLIES
Single Swivel End – 3/8" I.D.

Stoughton Number	Length
M16618	18"
M16624	24"
M16628	28"
M16630	30"
M16632	32"
M16636	36"
M16640	40"
M16642	42"
M16648	48"



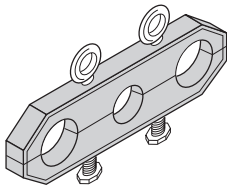
BRAKE HOSE FITTING

Stoughton Number	Hose I.D.	"A"
TA31302	3/8"	3/8"
TA31305	1/2"	3/8"
TA31306	1/2"	1/2"



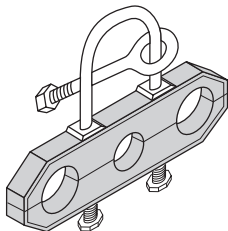
BRAKE HOSE CLAMP

Stoughton Number	"A"
TA34020	3/8"
TA34021	1/2"



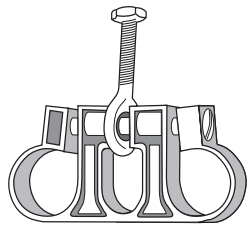
HOSE CLAMP
For 3/8" I.D. Hoses

Stoughton Number
M11543



HOSE CLAMP
For 3/8" I.D. Hoses

Stoughton Number
M11544



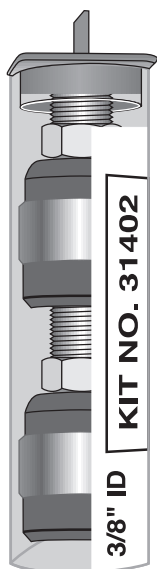
HOSE CLAMP
For 3/8" and 1/2" I.D. Hoses

Stoughton Number
M11546

AIR HOSE AND HARDWARE

Stoughton

Air Brake Hose End Kits and Assemblies



- Meets the requirements of DOT 106 and SAE J4102.
- Swivel Ends reduce residual torque in hose for longer life – no need to disconnect both ends to service the brake system.
- Components in contact with the air are made of corrosion resistant brass and nylon to improve air system life.

AIR BRAKE HOSE END KIT

Stoughton Number	Description
TA31402	Two End Fittings 3/8" NPTF
TA31403	Two End Fittings 1/2" NPTF
TA31407	One End Fitting 3/8" NPTF & One 1/4" NPTF Adapter

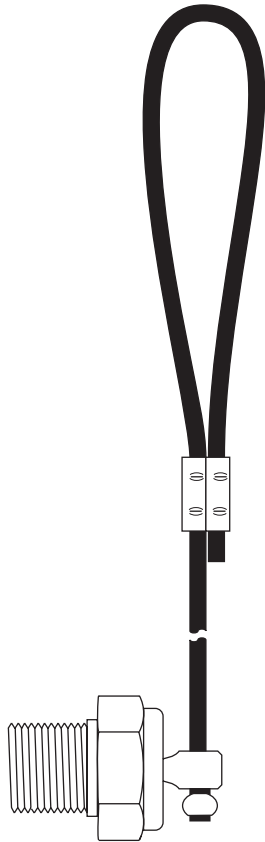
Hose End Kits for 3/8" I.D. Hose



- Manufactured to DOT 106 specifications.

HOSE END KITS

Stoughton Number	Description
TA31408	One 3/8" NPTF End Fitting with 3 1/2" Spring Guard Length, with Plastic Barb
TA31409B	One 1/2" NPTF End Fitting with 3 1/2" Spring Guard Length, with Brass Barb



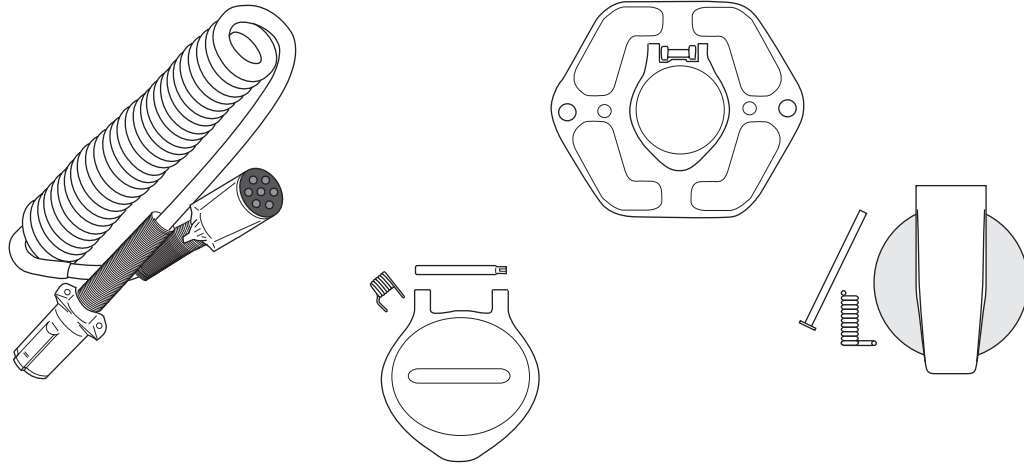
REMOTE CONTROL DRAIN VALVE & CABLE ASSEMBLY

Stoughton Number	Remarks
TA35002-048	Valve & 48" Cable
TA35002-060	Valve & 60" Cable

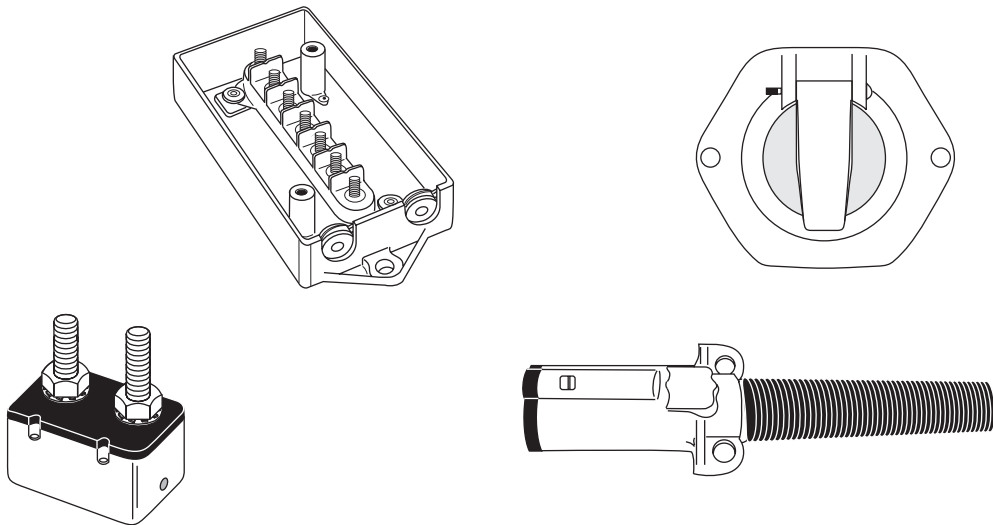


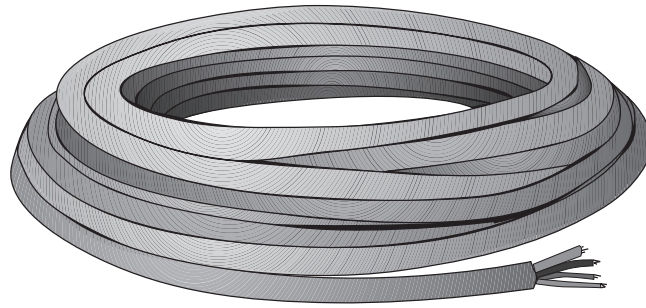
REMOTE CONTROL DRAIN VALVE

Stoughton Number	Description
TA35013	Valve, 64" of cable and unclinched clip
TA35000	Valve only
TA35001-052	52" of cable only
TA35001-064	64" of cable only



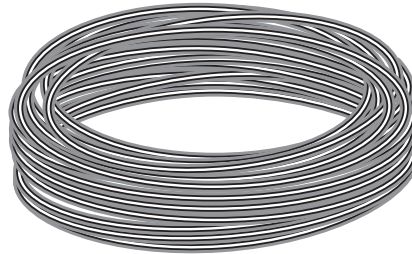
Bulk Cable	12-1
Stoughton.....	12-1
Receptacles.....	12-2
Haldex.....	12-2
Tramec.....	12-3
Connectors	12-4
Stoughton.....	12-4





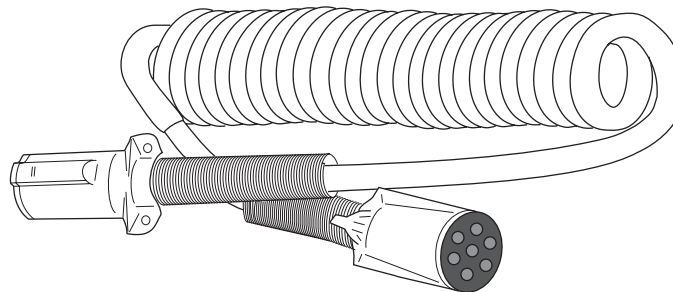
BULK CABLE

Stoughton Number	Length	Material
MBE28714	100'	(7) 14 Gauge Wires
MBE28414	100'	(4) 14 Gauge Wires
MBE28614	100'	(6) 14 Gauge Wires
MBE28712	100'	(7) 12 Gauge Wires



POLYETHYLENE TUBING

Stoughton Number	Length	Material
04 85043 000 00	Varies	1/4" I.D. Black Tubing



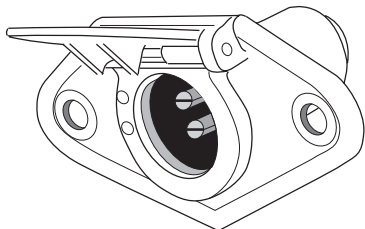
COILED CABLE WITH PLUGS

Stoughton Number	Length	Remarks
MBE27031	15'	(6) 12 Ga. & 1 (10) Ga. Wires
MBE27039	12'	(7) 14 Gauge Wires
PH30-9621	15'	Green "Lectra Coil"
TA45015	15'	

RECEPTACLES

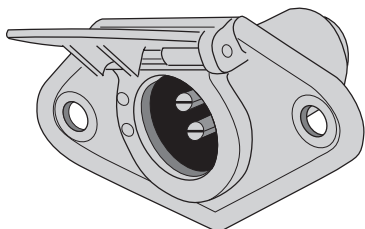
Haldex

Haldex®



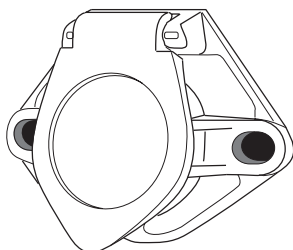
4-WAY RECEPTACLE ASSEMBLY

Stoughton Number	Remarks
MBE23402	Female, 2 Bolt Plug-In
PH15-400	Female, 2 Bolt Plug-In
TA38494	Female, 2 Bolt Plug-In



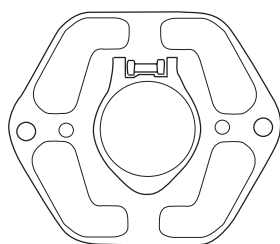
6-WAY RECEPTACLE ASSEMBLY

Stoughton Number	Remarks
MBE23602	Female, 2 Bolt Plug-In
PH15-600	Female, 2 Bolt Plug-In
TA38496	Female, 2 Bolt Plug-In



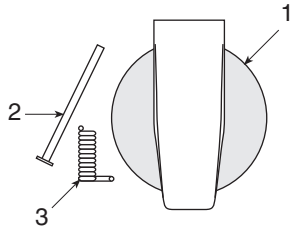
7-WAY RECEPTACLE ASSEMBLY

Stoughton Number	Remarks
MBE23703	Female, 2 Bolt Plug-In
PH15-720	Female, 2 Bolt Plug-In, Split pins
TA38497	Female, 2 Bolt Plug-In, Split pins
TL50872	Female, 2 Bolt Plug-In, Split pins



7-WAY RECEPTACLE

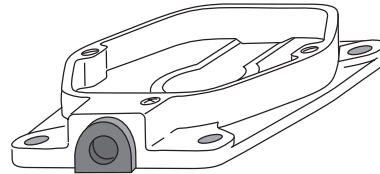
Stoughton Number	Description
M24000	Split pins, no breakers
M24001	Split pins, no breakers
M24020	Split pins, 20 amp breakers
M24030	Split pins, 30 amp breakers
M24120	Split pins, 20 amp breakers with adapter housing (Stoughton Number M24100)
PH16-760	Split pins, no breakers
PH16-762	Split pins, 20 amp breakers
TA38202	Split pins, no breakers
TA38213	Split pins, 20 amp breakers
TA38215	Split pins, 30 amp breakers
TA382328G	Split pins, no breakers
TL50860	Split pins, no breakers
TL50861	Split pins, no breakers
TL50865	Split pins, 20 amp breakers



7-WAY COVER KIT

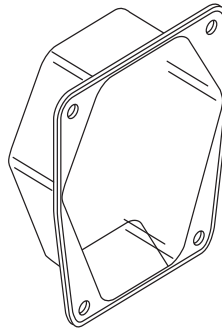
Stoughton Number
PH16-798
TA38204
TL50875

Item No.	Description
1	Cover
2	Hinge Pin
3	Spring



ADAPTER BOX

Stoughton Number	Remarks
PH16-779	2 1/2" Deep
TA38260	1" Deep, Bottom Entry
TA38260B	1" Deep, Back Entry
TA38265	2" Deep, Bottom Entry
TA38265B	2" Deep, Back Entry
TA38265-G4	2" Deep, Bottom Entry
TL5088L	2" Deep, Bottom Entry
TL50883	2" Deep, Back Entry

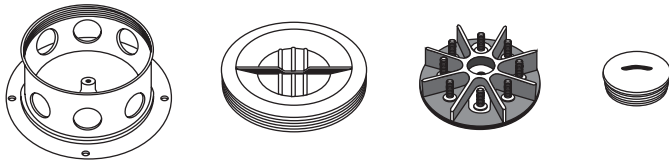


ADAPTER HOUSING, DIE CAST

Stoughton Number
M24100

CONNECTORS

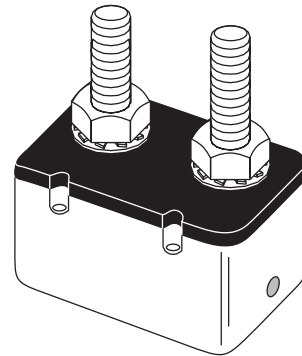
Stoughton



7-WAY COVER KIT

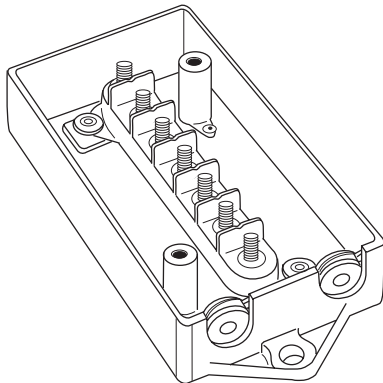
Stoughton Number
TL50400

Contents	
1	Junction Box
1	Cap
1	Terminal Block
4	Filler Plugs
Also includes Assembly and Mounting Screws	



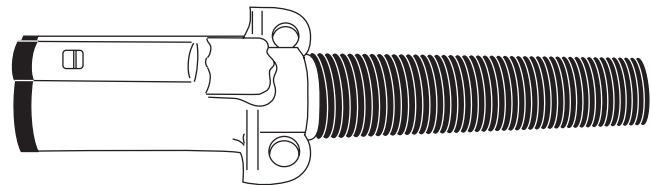
CIRCUIT BREAKERS

Stoughton Number	Remarks
M22315	15 Amp
M22330	30 Amp



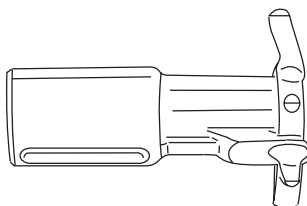
7 TERMINAL JUNCTION BOX

Stoughton Number	Remarks
PH15-961	Box w/ Top and Grommets
M22010	Box w/ Top and Grommets
M22020	Box w/ Top and Grommets
M22040	Box w/ Top and Grommets



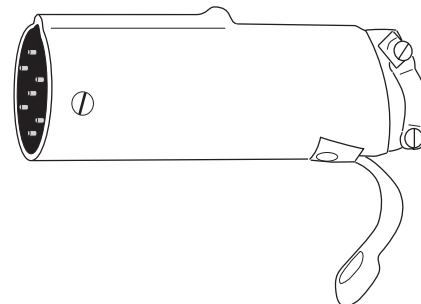
7 TERMINAL PLUG WITH SPRING

Stoughton Number
MBE23784
PH15-730



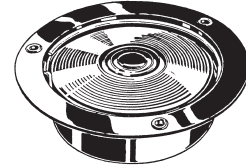
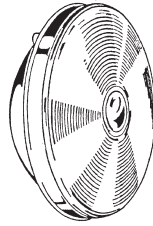
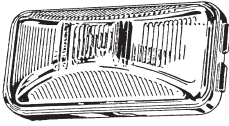
MALE PLUG

Stoughton Number	Remarks
MBE23102	1-Way
MBE23403	4-Way
MBE23603	6-Way

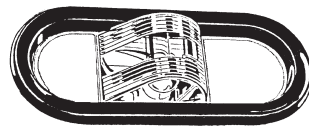
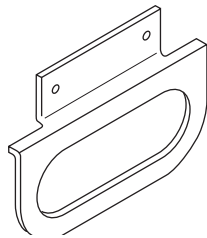
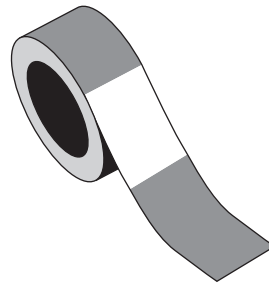
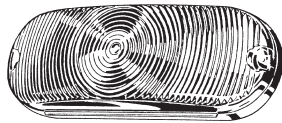


MALE PLUG

Stoughton Number	Remarks
MBE23783	7-Way
MBE23101	Single



Lights	13-1
Mid-Turn Signals	13-2
Stoughton.....	13-2
Decal Reflectors	13-3
Stoughton.....	13-3
Conspicuity Tape	13-4
Mounting Brackets.....	13-4
Stoughton.....	13-4

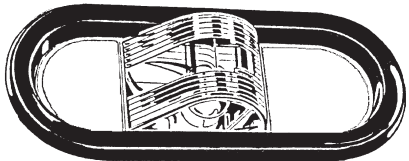
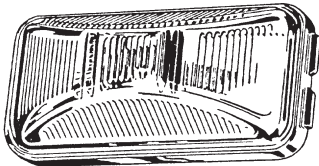
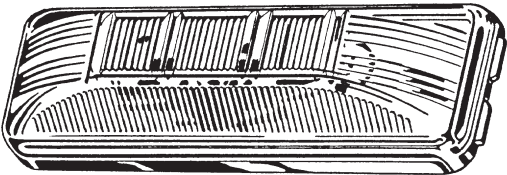
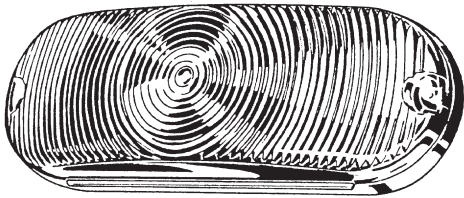


Grote
THE FIRST NAME
IN TRUCK SAFETY SYSTEMS

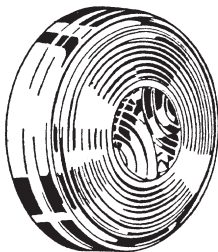
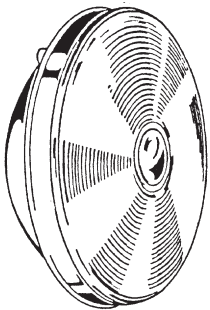
Truck-Lite®



Trucklite is our
production standard.
Full line available in our PDC.
Call with your needs.



Reflectors
Replacement Lenses
Stop, Turn, & Tail Lights
Clearance & Marker Lights
Utility, License & Dome Lights



MID-TURN SIGNALS

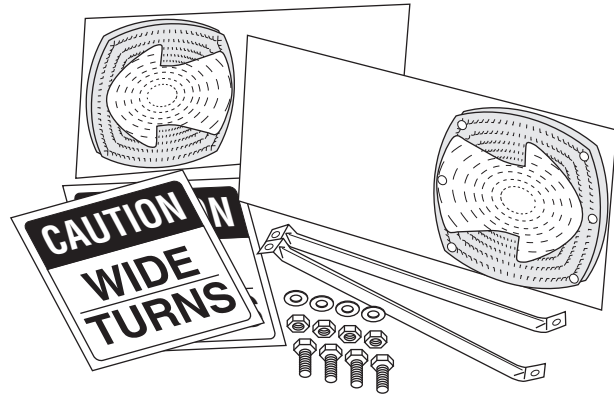
Stoughton

Dealer's Choice Kits
One part fits either side!

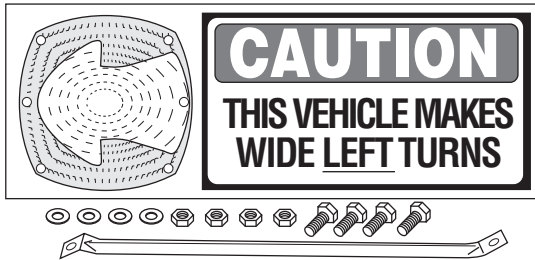
Because the decal is not applied at the factory, you choose which direction you want the arrow to point, then apply the decal!

Features

- 8" Electric blinking arrow (amber, 12 volt)
- CHP & DOT approved under section #108
- 8" x 12" DOT-approved statements included

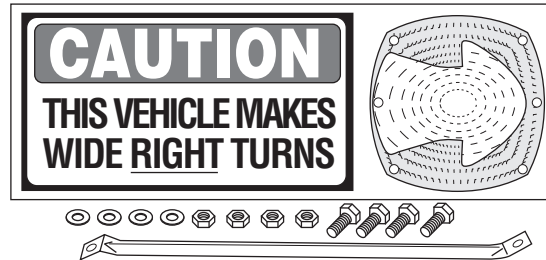


Stoughton Number	Material	Dimensions
SSG-1800KIT	18 Ga. Galvanized Steel	8" x 18"
SSS-1800KIT	18 Ga. Stainless Steel	8" x 18"



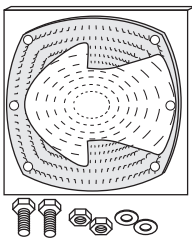
TURN SIGNAL – LEFT (WITH DECAL)

Stoughton Number	Material	Dimensions
SSGL102	22 Ga. Galvanized Steel	8" x 24"



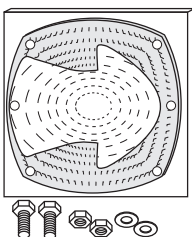
TURN SIGNAL – RIGHT (WITH DECAL)

Stoughton Number	Material	Dimensions
SSGR101	22 Ga. Galvanized Steel	8" x 24"



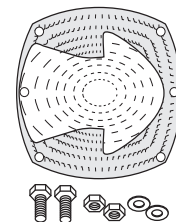
TURN SIGNAL – LEFT

Stoughton Number	Material	Dimensions
SSGL202	18 Ga. Galvanized Steel	8" x 18"



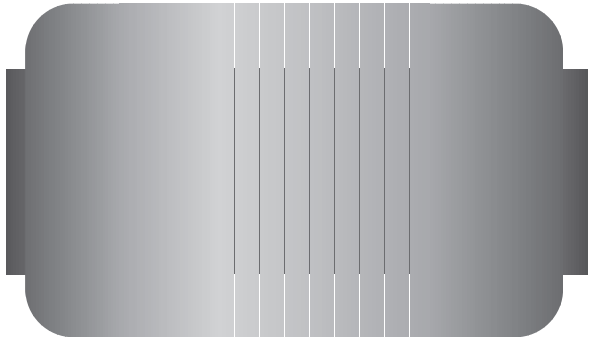
TURN SIGNAL – RIGHT

Stoughton Number	Material	Dimensions
SSGR201	18 Ga. Galvanized Steel	8" x 18"

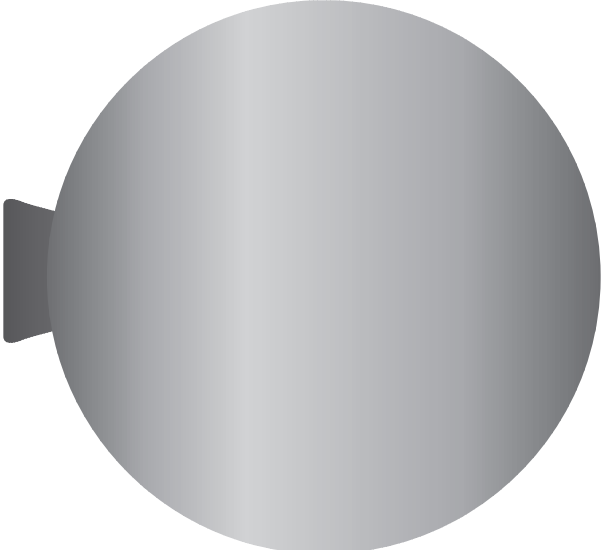


TURN SIGNAL LENS ONLY

Stoughton Number
SSENS



Stoughton Number	Remarks
PM489A	2 3/4" x 1 3/4" Amber
PM489R	2 3/4" x 1 3/4" Red

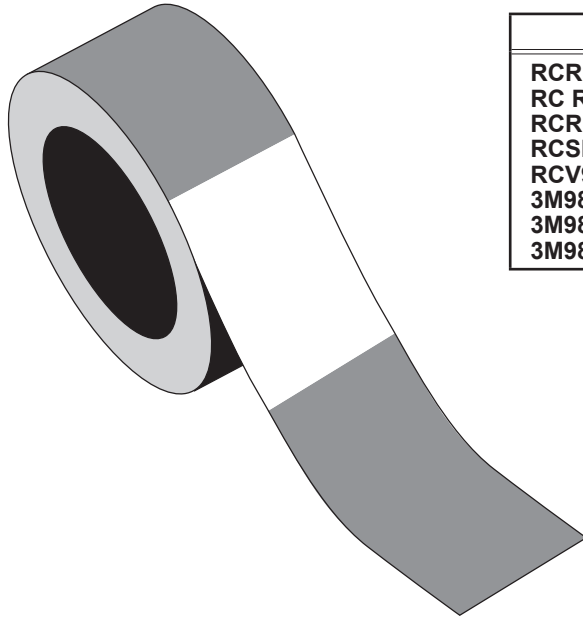


Stoughton Number	Remarks
PM490A	2 7/8" Round Amber
PM490R	2 7/8" Round Red



Stoughton Number	Remarks
PM491A	4 5/16" x 1 11/16" Amber
PM491R	4 5/16" x 1 11/16" Red

CONSPICUITY TAPE



CONSPICUITY TAPE

Stoughton Number	Dimensions	Remarks
RCRED	2" x 150'	7 Year
RC R/S DAYBRIGHT	2" x 150'	3 Year
RCRED/SILVER90	2" x 90"	7 Year
RCSILVER	2" x 150'	7 Year
RCV92-5649020150	2" x 150'	3 Year
3M981-326	2" x 150' – 6" Red x 6" White	7 Year
3M983-10	2" x 150' – White	7 Year
3M983-32	2" x 150'	7 Year

VAN KITS

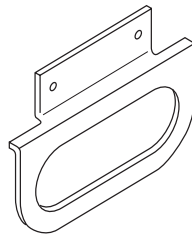
Stoughton Number
RCVANKIT53

Each Kit consists of one applicator, instructions, and enough material to do the appropriate size trailer

**Other products available.
Call with your needs.**

MOUNTING BRACKETS

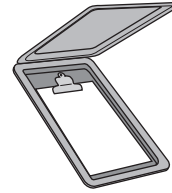
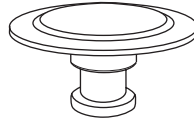
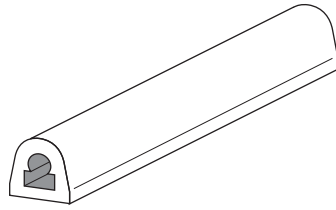
Stoughton



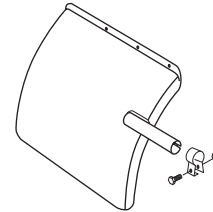
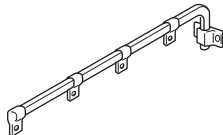
LAMP MOUNTING BRACKET

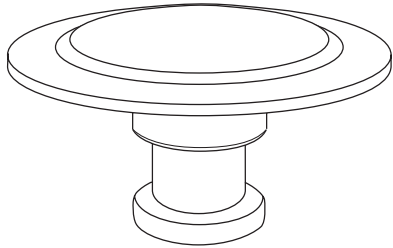
Stoughton Number
01 11814 000 00

For ABS Lamp Bracket, call with VIN (Serial Number) for correct application



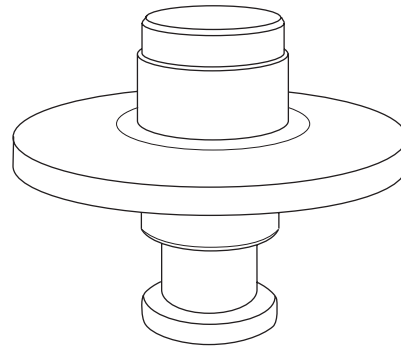
Kingpins.....	14-1
Stoughton.....	14-1
Manifest Boxes.....	14-2
Placards and Decals.....	14-3
Stoughton.....	14-3
Bumpers.....	14-4
Stoughton.....	14-4
Tire Carrier and Hardware.....	14-4
Stoughton.....	14-4
Sealants and Tapes.....	14-5
Mudflaps.....	14-5
Stoughton.....	14-5
Mudflap Brackets.....	14-6
Stoughton.....	14-6
FB-27 Brackets.....	14-7
Stoughton.....	14-7
Quarter Fenders.....	14-8
Stoughton.....	14-8
Other Parts.....	14-9
Stoughton.....	14-9
Fruehauf.....	14-10
Hyundai.....	14-10
Monon.....	14-10
Trailmobile.....	14-11
Shop Supplies.....	14-12





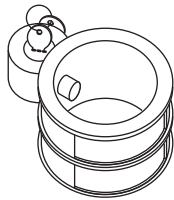
2" SAE KINGPIN – KP-T-809 SERIES

Stoughton Number	Bolster Plate Thickness
HHKP-T-809CF	.25"
HHKP-T-809F	.38"
HHKP-T-809BF	.25"



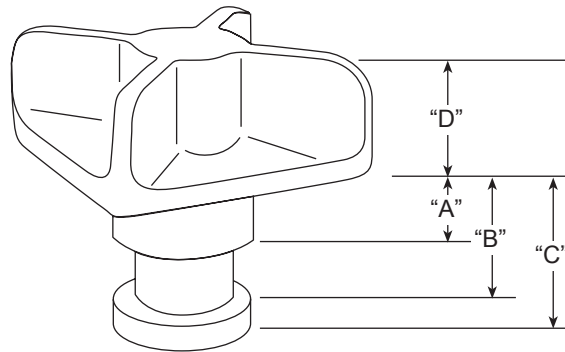
2" KINGPIN

Stoughton Number	Vendor & Vendor No.	Bolster Plate Thickness
HHKP-T-880	Holland KP-T-880	.38"
HHKP-T-880-C	Holland KP-T-880C	.25"



KING PIN LOCK

Stoughton Number
BRKL-3000

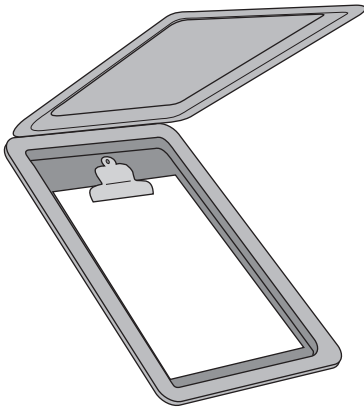


2" KINGPIN – CRUCIFORM SERIES

Stoughton Number	Bolster Plate Thickness	"A"	"B"	"C"	"D"
04 85002 001 00* HHKP-T-5-C	.25"	1.558"	3.012"	3.574"	2.473"

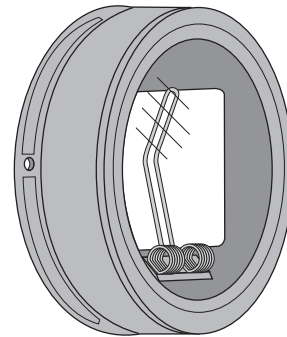
* Refer to HKP-AAR-5-C for specifications

MANIFEST BOXES



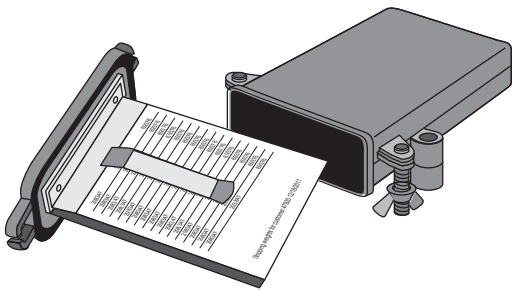
MANIFEST BOX – 8" x 13"

Stoughton Number
04 85084 P10-10



BETTS REGISTRATION HOLDER "PS1"

Stoughton Number	Remarks
04 85294 000 00	Holder & Lens
04 85294 000 01	Lens Only
04 85294 000 02	O-Ring



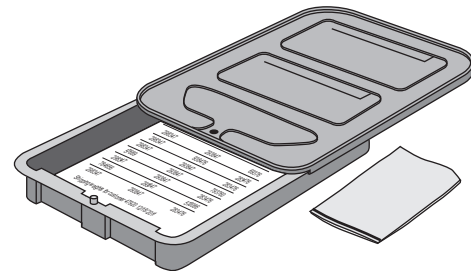
**SECURITY BOX –
DIE CAST ALUMINUM
5.25" X 7" X 2"**

Stoughton Number
JK300



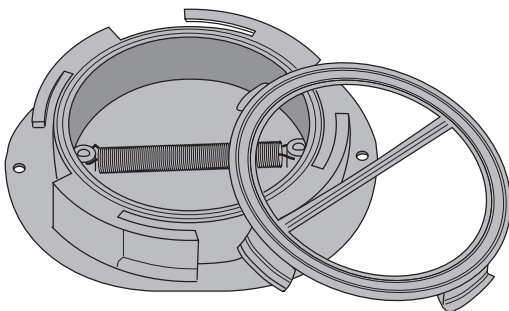
PERMIT HOLDER – ALUMINUM

Vendor & Vendor No.
Grote 43424



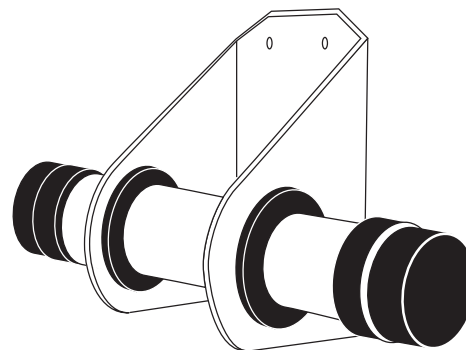
**PLASTIC RECORD BOX
10" X 14"**

Stoughton Number
JK500



DOCUMENT HOLDER

Stoughton Number	Vendor
TL97960	Trucklite



**TUBE TYPE
HOLDER**

Stoughton Number
04 85206 000 CK

**REPLACEMENT
END CAP**

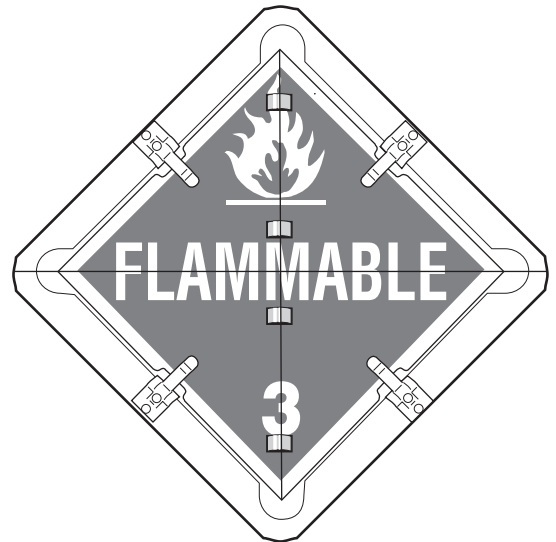
Stoughton Number
04 85206 000 01

PLACARDS AND DECALS Stoughton



SLIDE IN PLACARD – HOLDER ONLY

Stoughton Number	Vendor & Vendor No.
04 85488 000 00	Labelmaster 80SM



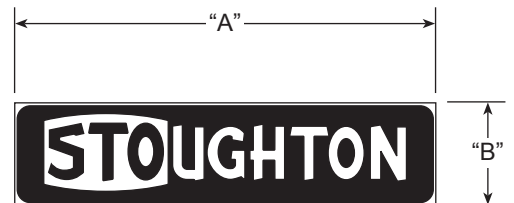
FLIP TYPE PLACARD – SPLIT

Stoughton Number	Vendor & Vendor No.
04 85273 000 02 LB81-CLIP	Labelmaster 81-8FSO Replacement Clips



FLIP TYPE PLACARD

Stoughton Number	Vendor & Vendor No.
04 85273 000 01 LB86-8C	Labelmaster 81-8FO Canadian



DECALS

Stoughton Number	"A"	"B"
04 08726 000 00	11 3/8"	2 3/4"
04 08726 001 00	13 3/8"	3 1/4"

Z-PLATE

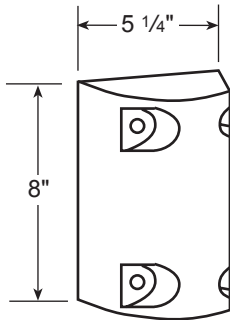
Stoughton Number
04-21202-000-00

Z-DOOR

Stoughton Number
04-22820-000-00

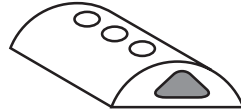
BUMPERS

Stoughton



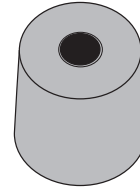
DOCK BUMPER

Stoughton Number	Description
04 85341 000 00	5 1/4" x 3" Hole Center



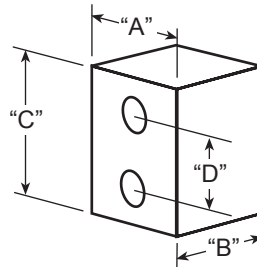
DOCK BUMPER

Stoughton Number	Description
04 14668 000 00	Diamond D2-50



DOOR BUMPER

Stoughton Number
PP-70-1044



Hardware per Bumper:
 (2) Locknuts – 04 95505 000 00
 (2) Bolts – 04 95004 500 00
 (4) Washers – 04 96008 000 00

DOCK BUMPER – OUR FORMER PRODUCTION STANDARD

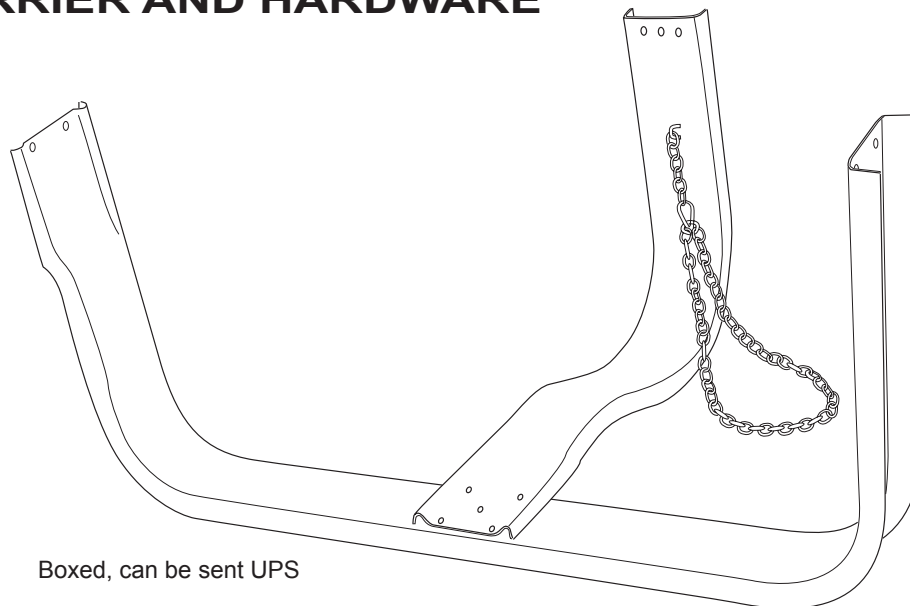
Stoughton Number	"A"	"B"	"C"	"D"	Description
04 85104 000 00	3 1/2"	3 1/4"	6"	3"	Blue Polyurethane
04 85104 000 01	3 1/2"	3"	6"	3"	
04 85104 000 X2		2 1/8"		6 1/2"	
04 85104 000 X4	5 3/4"	4.5"		3 1/2"	
04 85104 PLY 00	3 1/2"	3 1/4"	6"	3"	

DOCK BUMPER – OUR CURRENT PRODUCTION STANDARD

Stoughton Number	"A"	"B"	"C"	"D"	Description
04-86997-000-00	3 1/2"	3 1/4"	6"	3"	Black Polyurethane

TIRE CARRIER AND HARDWARE

Stoughton



Boxed, can be sent UPS

TIRE CARRIER

Stoughton Number
FE981-00159

Pictured

MOUNTING HARDWARE

Stoughton Number
FE981-00055

TIRE CARRIER

Stoughton Number
P09-02

With hardware, boxed
 No picture available



SEALANT

Stoughton Number	Description
MP30-AALUM	Manus-Bond 30A Aluminum
MP30-AWHITE	Manus-Bond 30A White
MP52-AALUM	Manus-Bond 52A Aluminum
MP65-AALUM	Manus-Prene 65A Aluminum
MP65-AWHITE	Manus-Prene 65A White
MP65-BGRAY	Manus-Bond 65B Gray
MP65-CGRAY	Manus-Bond 65C Gray
MP73A-ALUM	Manus-Bond 73A Aluminum
MP73A-BLACK	Manus-Bond 73A Black
MP73A-CLEAR	Manus-Bond 73A Clear
MP73A-WHITE	Manus-Bond 73A White
MP75AM	Roof Adhesive
MP75-AMGRAY	Roof Adhesive
MP75-AMWHITE	Roof Adhesive
MP501-AGRAY	Manus-Bond 501A Aluminum
MP501-AWHITE	Manus-Bond 501A White
04 85208 000 01	Sikaflex 221 White
04 85208 000 02	Sikaflex 221 Grey
UNM 6325	Silaprene 6325 Grey
UNM 6328	Silaprene 6328 Super White

FIELD REPAIR TAPE

Stoughton Number	Description
MP4" AFT	4" x 50' Roof Tape – "Aluma-Foil" Roll
MP4" WTT	4" x 50' Roll Panel Tape – "White-Foil" Roll
MP6" AFT	6" x 50' Roof Tape – "Aluma-Foil" Roll
MP6" WTT	6" x 50' Roll Panel Tape – "White-Foil" Roll

ADHESIVE TAPE

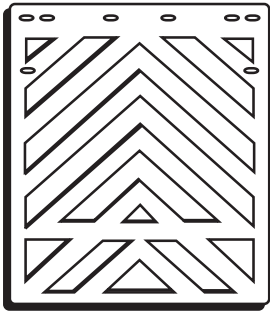
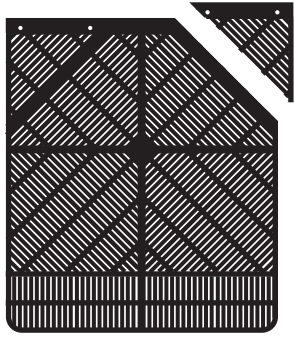
Stoughton Number	Description
04 85011 000 00	Steel/Alum. Tape – 4" Wide x 180' Roll
04 85011 001 XX	Steel/Alum. Tape – 2" Wide x 180' Roll
04 85017 001 XX	Roof Edge Tape – 1/16" x 1" x 100' Roll
MP1858	Manus Grip Tape – 1/8" x 5/8" x 65' Roll

FOAM TAPE

Stoughton Number	Description
04 85016 000 XX	Foam Tape - 1/8" x 3/4" x 100'
04 85299 000 XX	Foam Tape – 3/32" x 1/4" x 150'
04 85299 001 XX	Foam Tape – 3/32" x 1 1/2" x 100'

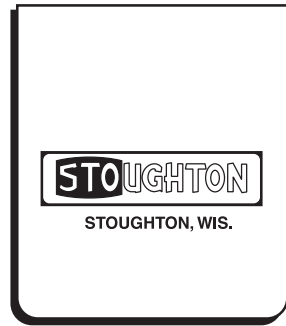
Note: Sold in pairs.

MUDFLAPS Stoughton



MUDFLAPS – BLACK RUBBER

Stoughton Number	Description
MUDFLAP 24x24	1/4" x 24" x 24"
MUDFLAP 24x30	1/4" x 24" x 30"
MUDFLAP 24x36	1/4" x 24" x 36"



AEROFLAPS

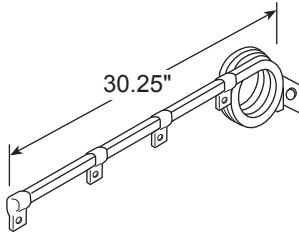
Stoughton Number	Description
FE033-08001 - AEROFLAP	24" x 24"
FE033-08002 - AEROFLAP	24" x 30"
FE033-08004 - AEROFLAP	24" x 36"

MUDFLAPS – RIGID POLYETHYLENE

Stoughton Number	Description
04 86408 001 00	24" x 30" OEM Standard w/ Logo (Black)
FE031 00636	24" x 30" White, Plain, No Logo

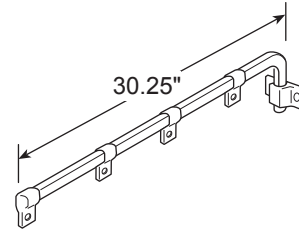
MUDFLAP BRACKETS

Stoughton



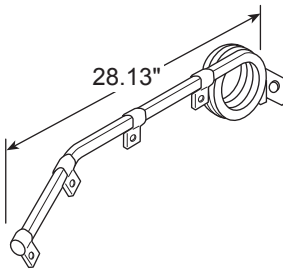
SQUARE TRIPLE COIL BRACKET KIT & ARMS

Stoughton Number	Bar Size	Description
FE031-00123	.63"	Complete Kit



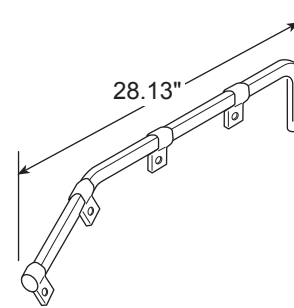
RIGHT ANGLE BRACKET KIT & ARMS

Stoughton Number	Bar Size	Description
FE031-00125	.63"	Complete Kit



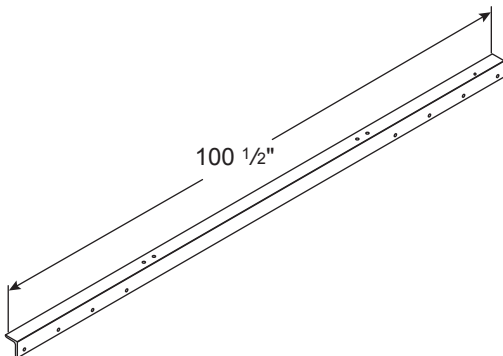
SHORTIE SQUARE TRIPLE COIL BRACKET KIT & ARMS

Stoughton Number	Bar Size	Description
FE031-00133	.63"	Complete Kit
FE031-00104	.75"	Complete Kit



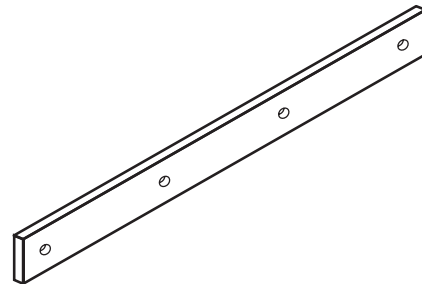
SHORTIE RIGHT ANGLE BRACKET KIT & ARMS

Stoughton Number	Bar Size	Description
FE031-00135	.63"	Complete Kit
FE031-00105	.75"	Complete Kit



**MUDFLAP ANGLE
PRODUCTION STANDARD
"TOP SELLER"**

Stoughton Number
01 14975 000 00

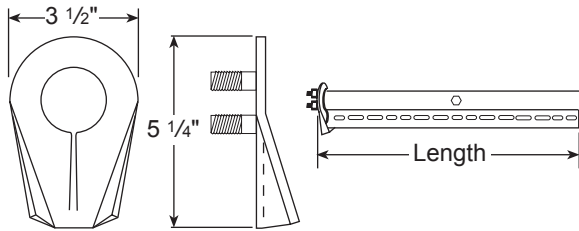


MUDFLAP REINFORCING BAR

Stoughton Number
01 07286 000 00

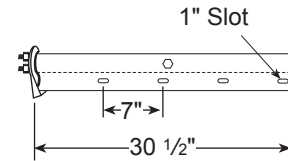
FB-27 BRACKETS

Stoughton



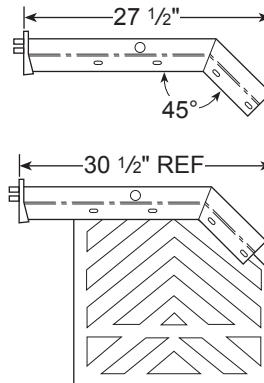
STANDARD FB-27 BRACKETS

Stoughton Number	Length	Description
FE033-00270	28"	Black Primed Steel



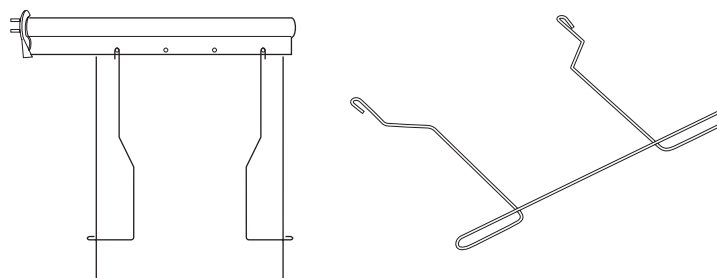
FRAME MOUNT FB-27 BRACKETS

Stoughton Number	Material
FE033-00868	Black Primed Steel
FE033-00870	Polished Stainless Steel



SHORTIE FB-27 BRACKETS

Stoughton Number	Material
FE033-00864	Black Primed Steel
FE033-00865	Polished Stainless Steel

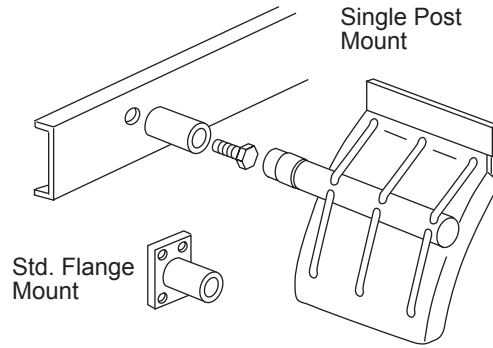


ANTI-SAIL BRACKET

Stoughton Number	Material
FE033-00076	Polished Stainless Steel
FE033-00079	Black Primed Steel

QUARTER FENDERS

Stoughton

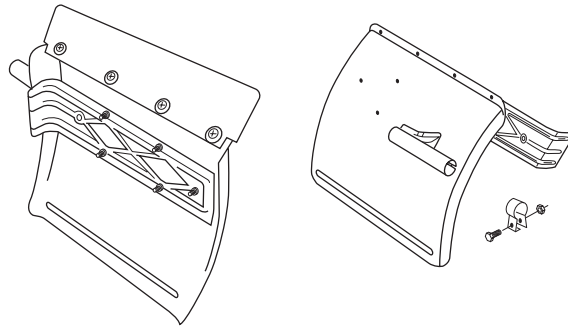


**STANDARD
FLANGE MOUNT**

Stoughton Number
FE031-00234

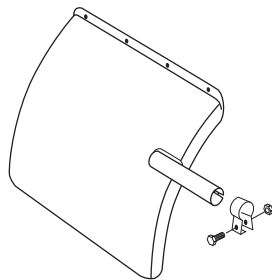
**SINGLE
POST MOUNT**

Stoughton Number
FE031-00235



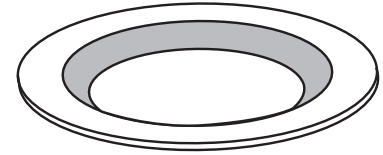
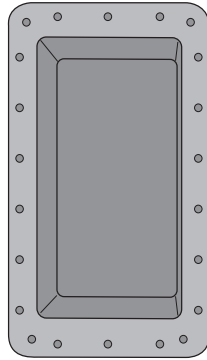
QUARTER FENDER KIT

Stoughton Number	Material
FE031-00400	Black Primed Steel
FE031-00402	Polished Stainless Steel



QUARTER FENDER KIT

Stoughton Number	Material
FE031-00406	Black Plastic

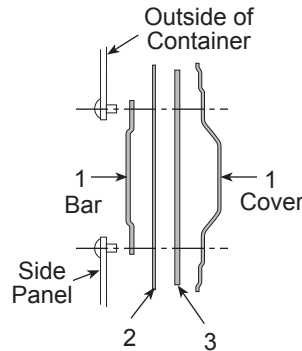


"A" TRACK COVER

Stoughton Number
04 14722 000 00

RECESS PANS

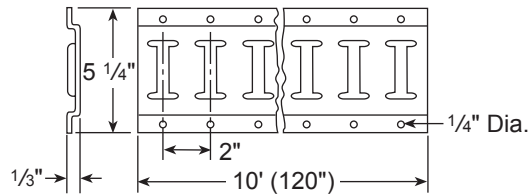
Stoughton Number	Depth	Cutout Size	Overall Size	Material
01 15792 000 00	1 3/16"	13" x 21"	15" x 23"	Aluminum
PP-80-110	2 1/4"	11 3/4" x 17 3/4"	15" x 21"	Plastic
PP-80-115	2 1/4"	9 3/4" x 17 1/2"	13" x 20 1/2"	Plastic JB Hunt Container
P-80-197-8	2 1/4"	11 3/4" x 17 3/4"	15" x 21"	Aluminum
P-80-197-8WHT	2 1/4"	11 3/4" x 17 3/4"	15" x 21"	Aluminum (white)



TIE DOWN BAR ASSEMBLY

Item No.	Stoughton Number	Description
1	04 85625 001 00	Bar Tie Down Assembly
2	04 14457	Gasket w/ Rivet Holes
3	04 14448	Gasket, Ring Style

J.B Hunt Container

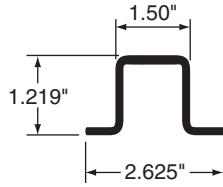


SERIES "A" AND SERIES "E" TRACK

Stoughton Number	Remarks
03 17778 618 00	618" A-Track, Galvanized
04 85327 120 00	120" E-Track, Color/Coating May Vary
04 85327 618 00	618" E-Track, Galvanized

OTHER PARTS

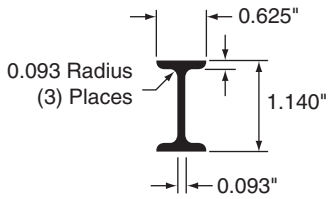
Fruehauf



FLOOR HAT SECT, 47' 1"

Stoughton Number
FRU#STK13961-47

Hyundai



10' FLOOR INSERT, REEFER EXTRUDED

Stoughton Number
HY#1000-9097



30.35" RAIL PROTECTOR, RH

Stoughton Number
HY#2000-8135

121.66" RAIL PROTECTOR, RH

Stoughton Number
HY#2000-8138

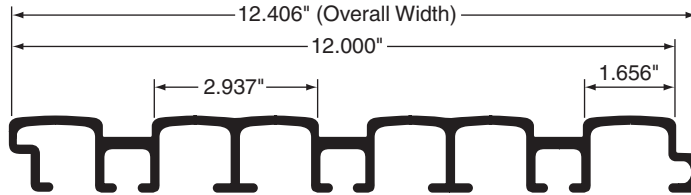
30.35" RAIL PROTECTOR, LH

Stoughton Number
HY#2000-8142

121.66" RAIL PROTECTOR, LH

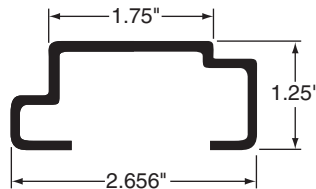
Stoughton Number
HY#2000-8145

Monon



ALUMINUM "S" BOARD

Stoughton Number
MON-AX054320



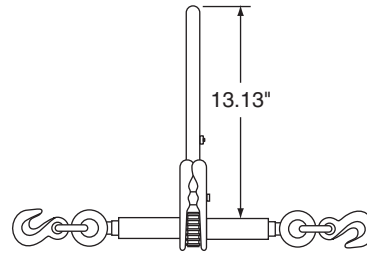
SERVICE TUNNEL

Stoughton Number
MON-AX054340



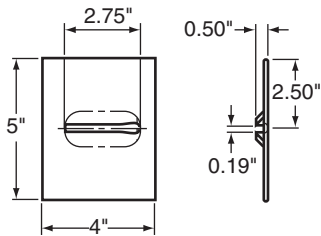
RUBBER BUMPER, 2-HOLE

Stoughton Number
TM11-1-248



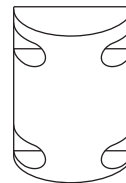
0.38" LOAD BINDER, RATCHET, H/H

Stoughton Number
TM700-1-44



5" x 4" CLIP FOR CROSSMEMBER

Stoughton Number
TM700-1-66



BUMPER, RUBBER, 4-HOLE

Stoughton Number
TM700-99-484

SHOP SUPPLIES



MULE HEAD BRAND

Stoughton Number	Material
MULE BMW-6	Hand Wipes, 10" x 12", 72 per carton
MULE DT-1	Truck and Trailer Wash, Gallon
MULE PP	Plastic Pump for Gallon Hand Cleaners
MULE RHC-G	Original Red Hand Cleaner, Gallon
MULE RHC-QT	Original Red Hand Cleaner, Quart
MULE SA-1	Smokin' Al Aluminum Cleaner, Gallon

CHAMPION CUTTING TOOLS (DRILL BIT SETS)



Stoughton Number	Material
CHTWISTER-XL28	28 Assorted Bit Set
CHXGO-10	#10 Bit 12 Pack
CHXL28-1/2	1/2" 6 Pack
CHXL28-1/4	1/4" 12 Pack
CHXL28-1/8	1/8" 12 Pack
CHXL28-11/64	11/64" 12 Pack
CHXL28-13/64	13/64" 12 Pack
CHXL28-17/64	17/64" 12 Pack
CHXL28-25/64	25/64" 12 Pack
CHXL28-3/16	3/16" 12 Pack
CHXL28-3/8	3/8" 6 Pack
CHXL28-5/16	5/16" 6 Pack
CHXL28-7/32	7/32" 12 Pack
CHXL28-9/32	9/32" 12 Pack

TOUCH-N-SEAL FOAM PRODUCTS



Stoughton Number	Material
FOAM 4004517100	23# Liner Bond
FOAM 4004520200	200 Board Foot Foam Kit
FOAM 4004520600	600 Board Foot Foam Kit
FOAM 4004529930	Conical Nozzle Kit
FOAM 4004529940	Fan Type Nozzle Kit
FOAM 4505100080	Calibration Nozzle Kit

SEYMOUR BRAND PAINT PRODUCTS

20 OZ CANS, 12 CANS PER CASE, UNIT OF MEASURE, 1 CAN = 1 PIECE



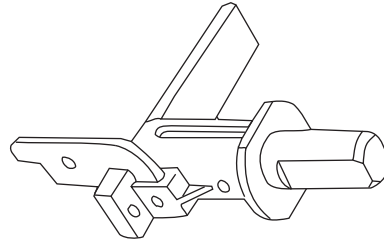
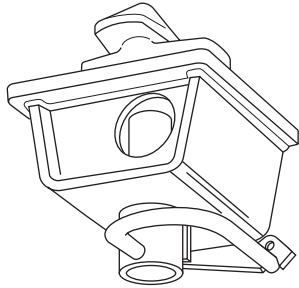
Stoughton Number	Material
04 00011 000 00	Low Solid Gloss Black
04 00012 000 00	Low Solid Gray Primer
04 00013 000 00	Low Solid Gloss White
04 00014 000 00	Low Solid Aluminum
04 00015 000 00	High Solid Red
04 00016 000 00	High Solid Red Oxide Primer
04 00017 000 00	Low Solid No Smudge Aluminum
04 00018 000 00	High Solid Light Gray Primer
04 00019 000 00	High Solid Gloss Black
04 00020 000 00	High Solid Gloss White

POWERBRACE

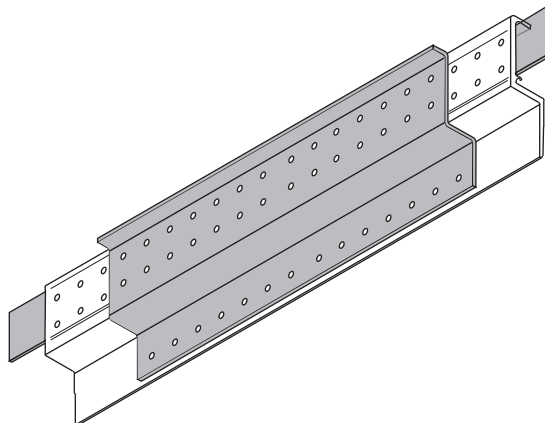
12.2 OZ CANS, 12 CANS PER CASE, UNIT OF MEASURE, 1 CAN = 1 PIECE



Stoughton Number	Material
MR P50365A	Post Weld Zinc Match Spray for Lockrods Corrosion Resistant

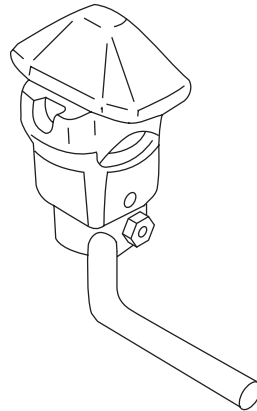


Locking Pins	15-1
Stoughton.....	15-1
Twist Locks	15-4
Stoughton.....	15-4
Stacking Post Assemblies	15-6
Stoughton.....	15-6
Intermediate Headers	15-6
Stoughton.....	15-6
Rear Corner Posts / Rear Bolsters	15-7
Stoughton.....	15-7
Front Corner Posts	15-7
Stoughton.....	15-7
Miscellaneous Parts	15-8
Stoughton.....	15-8
Container Rail Splice Plates	15-9
Stoughton.....	15-9
Lower Rails – Stoughton.....	15-10
Upper Rails – Stoughton.....	15-12



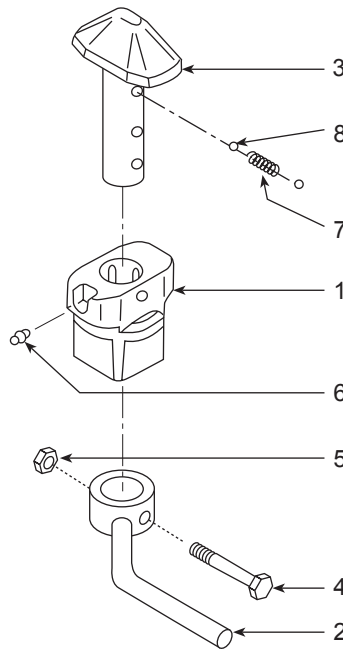
LOCKING PINS Stoughton

Note: More styles are available than are listed in this catalog. Please call with your specific application.



TWIST LOCK

Part Number	Remarks	Type
04 85496 008 01	Roadside	F77SNS
04 85496 008 02	Curbside	J1905.265.000-S



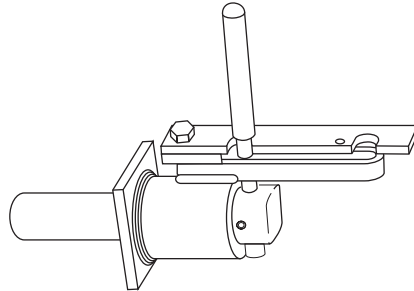
TWIST LOCK BREAKDOWN

Item No.	Part Number	Description	Quantity
1	J1905.228.001	Housing	1
2	J1905.265.100S	Handle Assembly	1
3	J1905.228.004	Locking Pin	1
4	J1000.004.004	Hex Bolt - 1/2" x 3"	1
5	J1000.005.003	Sec. Bolt - 1/2"	1
6	J1905.000.185	Grease Nipple	1
7	J1905.000.194	Spring	1
8	P16-01	Ball	2

LOCKING PINS

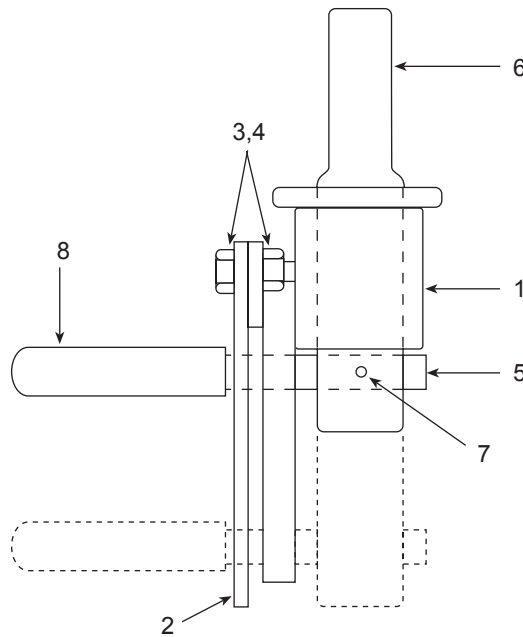
Stoughton

Note: More styles are available than are listed in this catalog. Please call with your specific application.



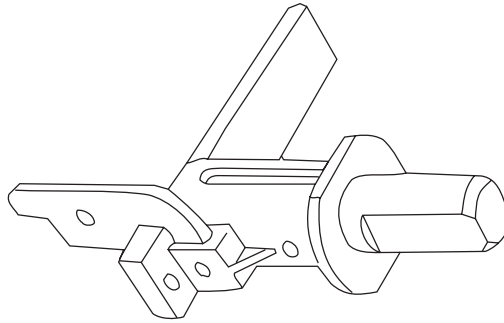
FRONT PIN LOCK

Part Number	Remarks
04 85507 100 00	Roadside
04 85507 200 00	Curbside



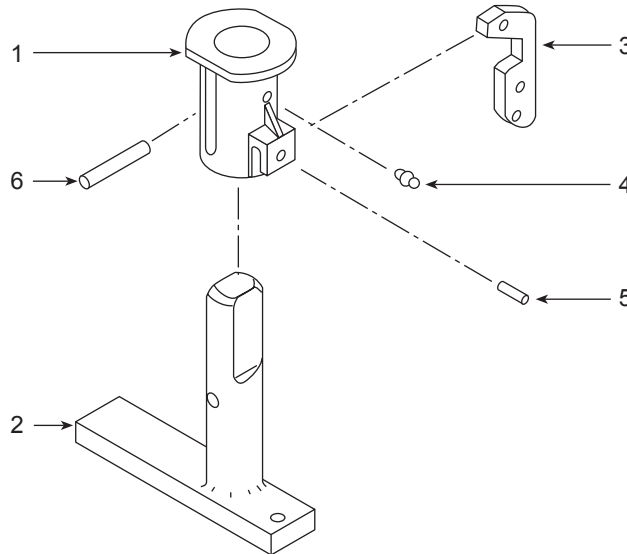
FRONT PIN LOCK BREAKDOWN

Item No.	Description	Quantity
1	Housing	1
2	Latch	1
3	Bolt	1
4	Nut	1
5	Handle	1
6	Locking Pin	1
7	Tension Pin	1
8	Grip	1



FRONT LOCKING PIN ASSEMBLY

Part Number	Remarks	Type
04 85496 008 01	Roadside	FB88HL
04 85496 008 02	Curbside	FB88HL
04 85496 009 01	Roadside	F77SNS
04 85496 009 02	Curbside	F77SNS

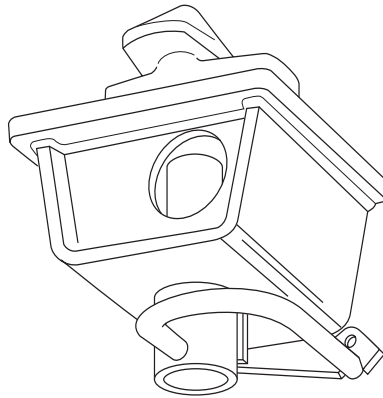


**FRONT LOCKING PIN BREAKDOWN
FB88HL STYLE SHOWN FOR REFERENCE ONLY**

Item No.	Description	Quantity
1	Housing	1
2	Handle Assembly	1
3	Latch	1
4	Grease Nipple	1
5	Rolled Pin - $\frac{5}{16}$ " x $\frac{7}{8}$ "	1
6	Rolled Pin - $\frac{3}{8}$ " x $2 \frac{3}{8}$ "	1

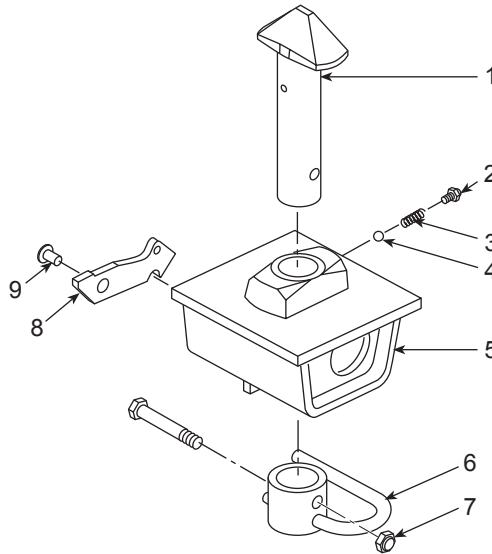
TWIST LOCKS

Stoughton



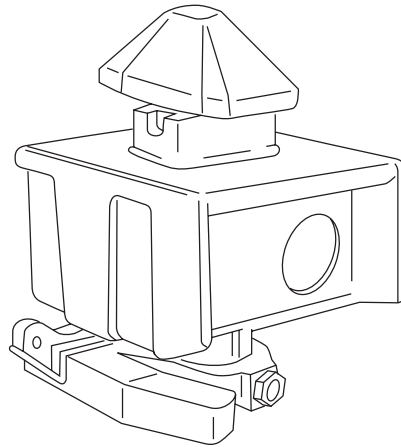
NON-RETRACTABLE TWIST LOCK

Part Number	Remarks
04 85506 100 00	Roadside
04 85506 200 00	Curbside



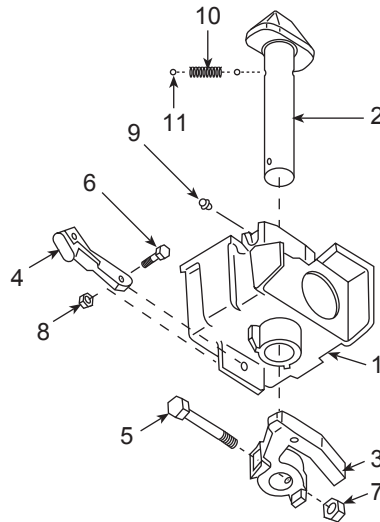
**NON-RETRACTABLE TWIST LOCK BREAKDOWN
SHOWN FOR REFERENCE ONLY**

Item No.	Description	Quantity
1	Stem or Pin	1
2	Grease Fitting	1
3	Spring	1
4	Ball	1
5	Housing Assembly	1
6	Operating Handle Left Hand	1
6	Operating Handle Right Hand	1
7	M10 Nut	1
8	Latch	1
9	Rivet	1



TWIST LOCK

Part Number	Remarks
J1905.177.000	F33NS Style, Same Roadside and Curbside, Remove and Replace Handle

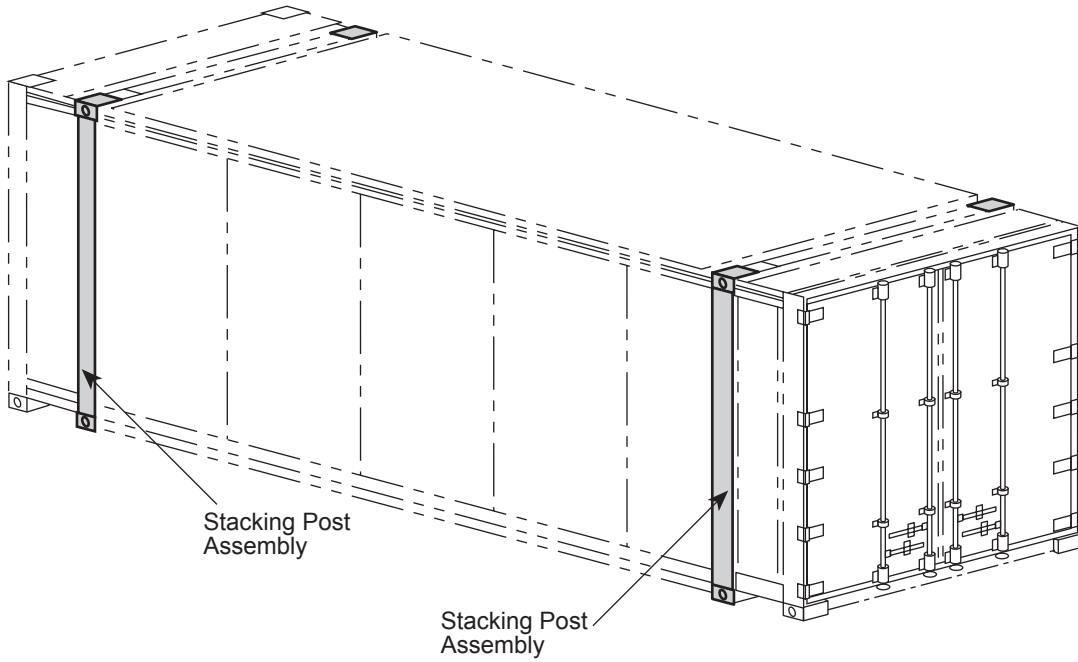


**NON-RETRACTABLE TWIST LOCK BREAKDOWN
F33NS STYLE SHOWN FOR REFERENCE ONLY**

Item No.	Description	Quantity
1	Housing	1
2	Locking Pin	1
3	Handle	1
4	Latch	1
5	Hex Bolt - 1/2" x 4"	1
6	Hex Bolt - 3/8" x 1 1/2"	1
7	Sec. Nut - 1/2"	1
8	Sec. Nut - 3/8"	1
9	Grease Nipple	1
10	Spring	1
11	Ball	2

STACKING POST ASSEMBLIES

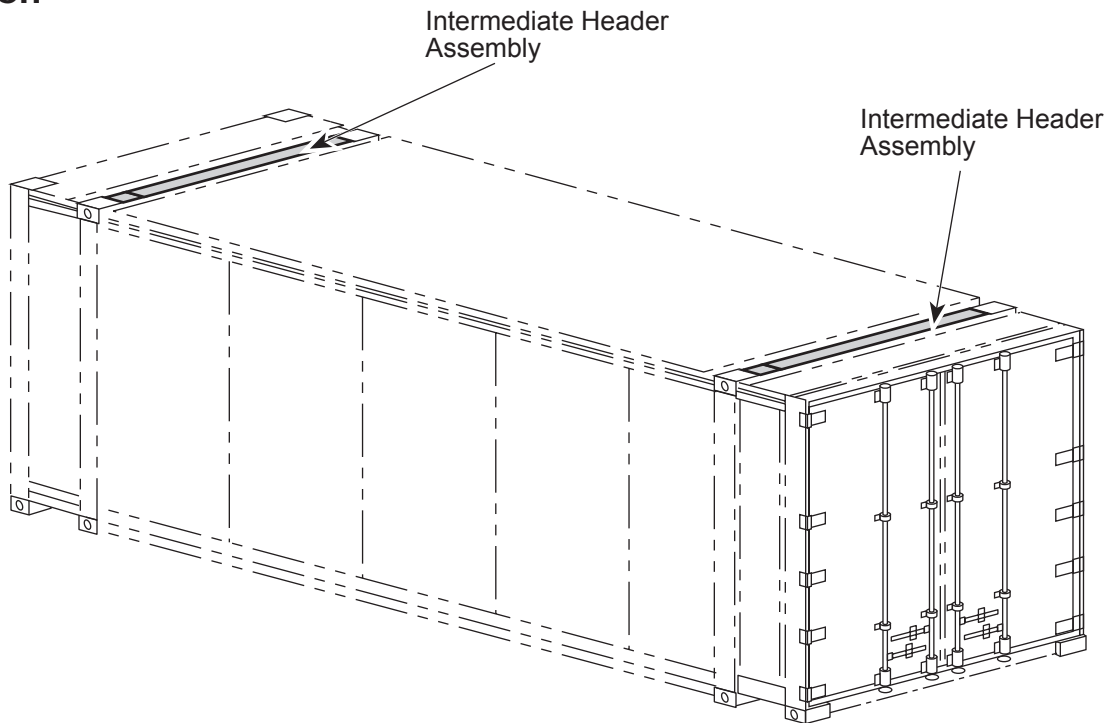
Stoughton



Call with VIN (Serial Number) for correct application

INTERMEDIATE HEADERS

Stoughton

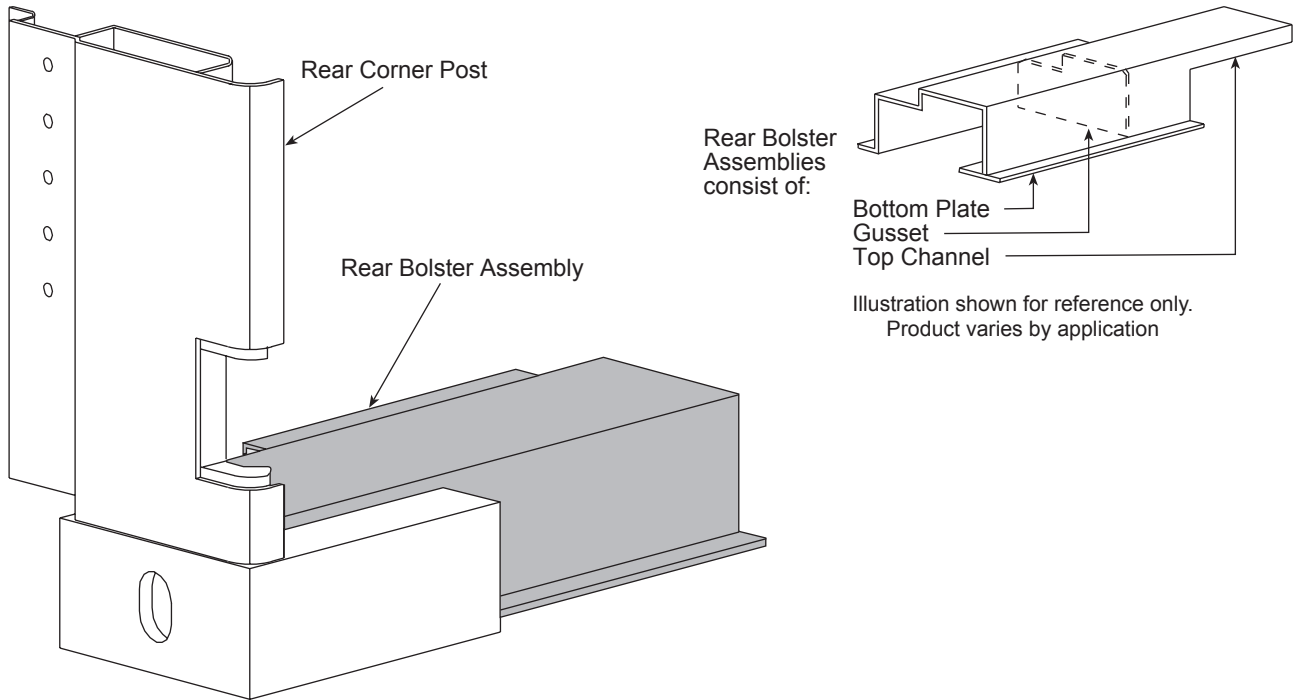


Note: Center latch for J.B. Hunt container chassis ("rat-trap") – 04 85684 000 00
"Repair" Kit for Center Latch – EB960-2P12

Call with VIN (Serial Number) for correct application

REAR CORNER POSTS / REAR BOLSTERS

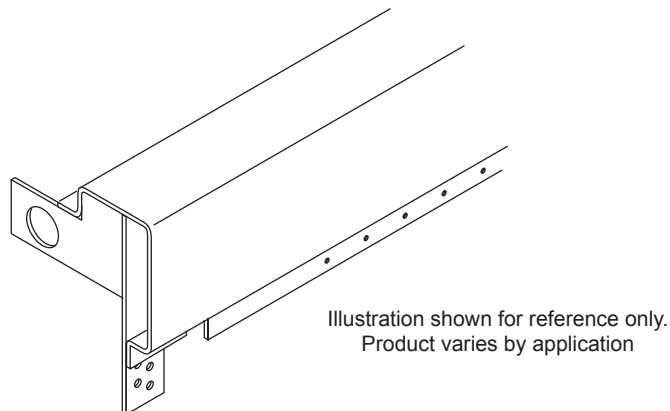
Stoughton



Call with VIN (Serial Number) for correct application

FRONT CORNER POSTS

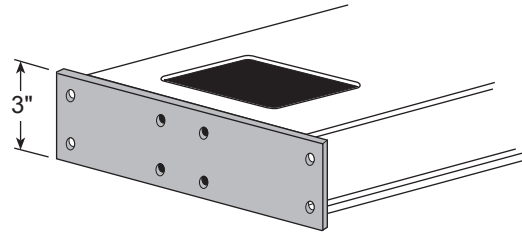
Stoughton



Call with VIN (Serial Number) for correct application

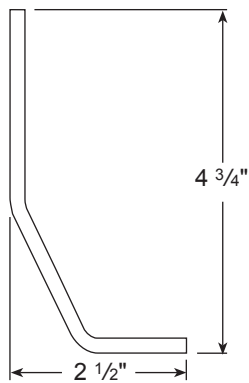
MISCELLANEOUS PARTS

Stoughton



REAR CROSSMEMBER WITH TUNNEL

Call with VIN (Serial Number) for correct application



TUNNEL SIDE LEG

Stoughton Number	Length
01 10085 000	126"

CONTAINER RAIL SPLICE PLATES

Stoughton

Upper and Lower Rail Splicing Statement for Stoughton Trailers, Inc.

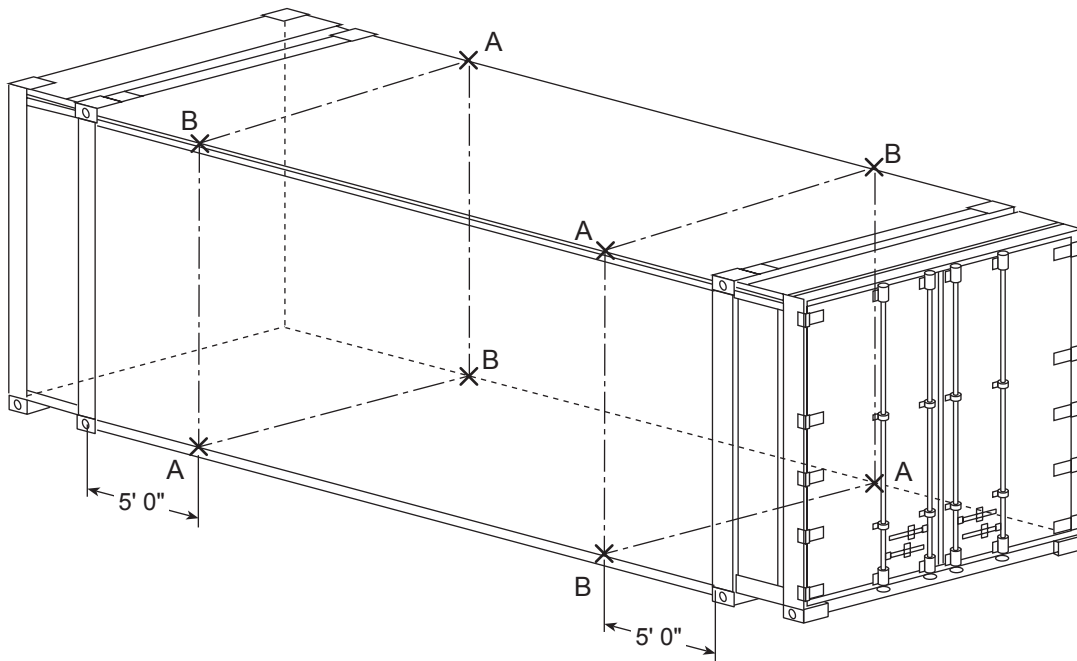
When repairs are to be made to the upper and/or lower rail of a container it is imperative that it be done properly.

The repair procedure and materials to be used should be according to the vehicle manufacture's recommended repair procedure for that particular trailer.

For the best results it is recommended by the A.A.R.(Association of American Railroads) no more than one splice section of rail is permitted in any upper or lower rail between the intermediate stacking frames. In addition, no more than one splice is permitted 5 feet from forward stacking frame of container.

The splice material, number and type of fasteners should provide strength requirements equal to or better than the original section of rail.

With these things in mind, properly repairing the upper and/or lower rail should provide the container with the structural integrity required of it for its useful life.



Permissible Splice Locations

If splice(s) exist(s) at any "A" location, then splice is permitted at any other "A" location(s). If splice(s) exist(s) at any "B" location, then splice is permitted at any other "B" location(s). Neither "A" location may be spliced if either "B" location on the same side is spliced. Neither "B" location may be spliced if either "A" location on the same side is spliced.

Note: No more than one splice section of rail is permitted in any upper or lower rail.

Important Notice

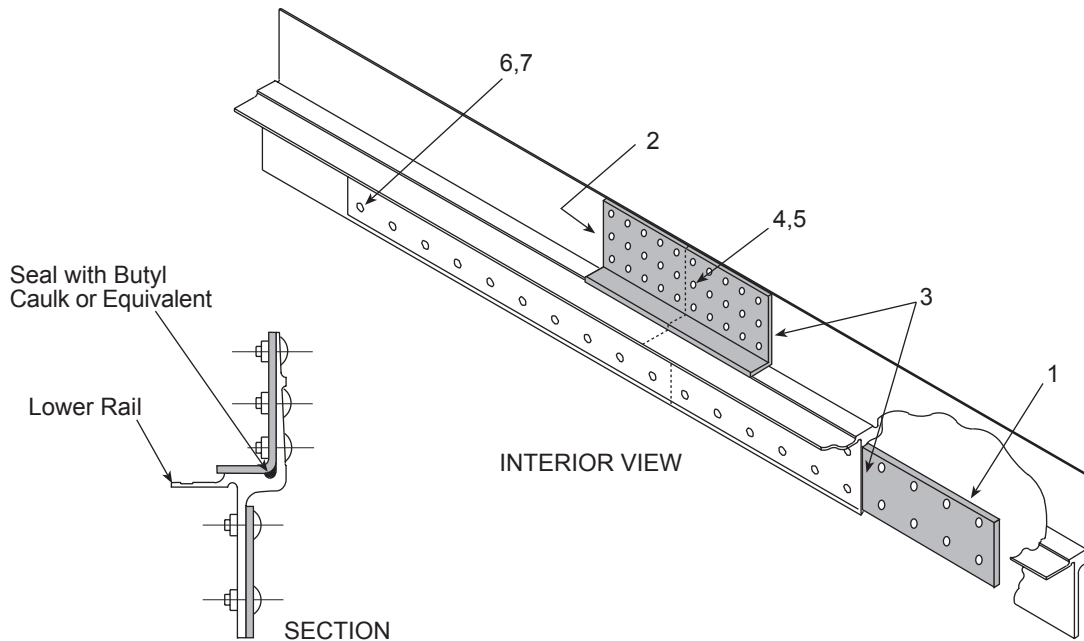
Absolutely no welding is to be used when structural repairs are done to extruded aluminum upper and lower rails. Upper and lower rails on all containers are made from a heat treated aluminum alloy, 6061-T6, with specific strength features required for containers.

CONTAINER RAIL SPLICE PLATES

Lower Rails – Stoughton

Lower Rail Splice Procedure

- Do not weld on the lower rail.
- On containers, the splice is to be made 12" forward of the centerline of a sidewall post.
- Holes for fasteners are to be transfer drilled.



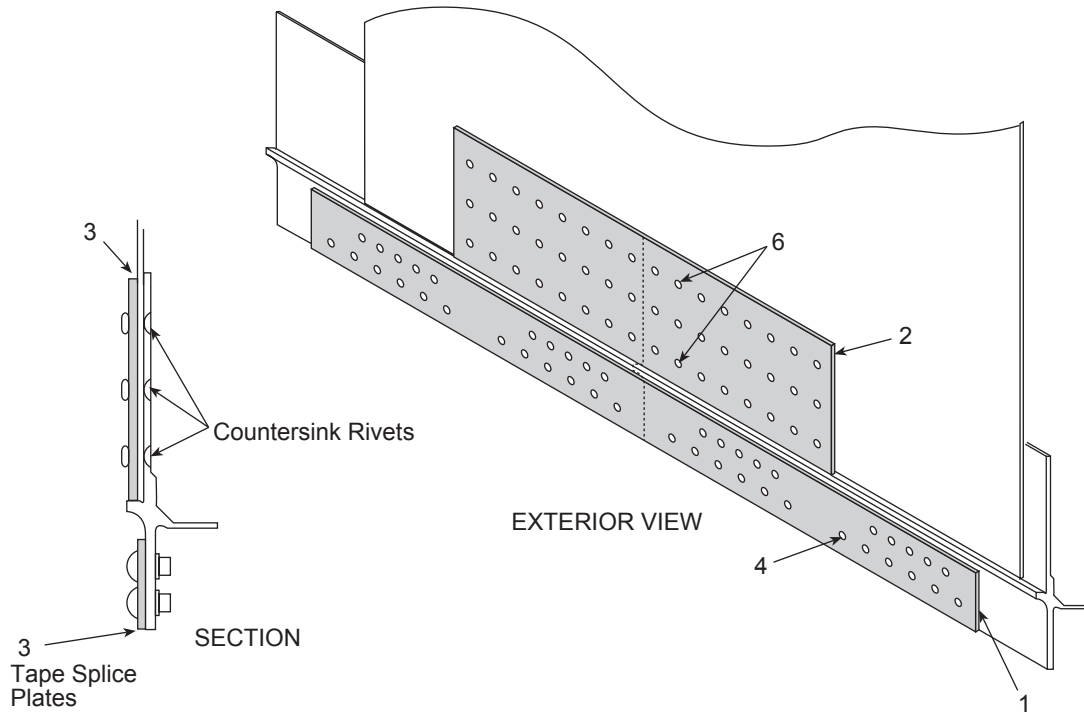
Item No.	Part Number	Description	Quantity
1	01 07983	Inner Splice Plate	1
2	01 10651	Outer Splice Plate	1
3	04 85011	Tape Sealant 4" Wide	52"
4	04 97012	* Magna Grip Pin MGPB-R8-10-CA	30
5	04 97013	* Magna Grip Collar MGC-R8-C	30
6	04 97001	* Magna Grip Pin MGPB-R8-12-CA	40
7	04 97002	* Magna Grip Collar MGC-R14-C	40

CONTAINER RAIL SPLICE PLATES

Lower Rails – Stoughton

Lower Rail Splice Procedure

- Do not weld on the lower rail.
- On containers, the splice is to be made 12" forward of the centerline of a sidewall post.
- Holes for fasteners are to be transfer drilled.



FOR CONTAINERS WITH BOTTOM RAIL SECTION 02 13840

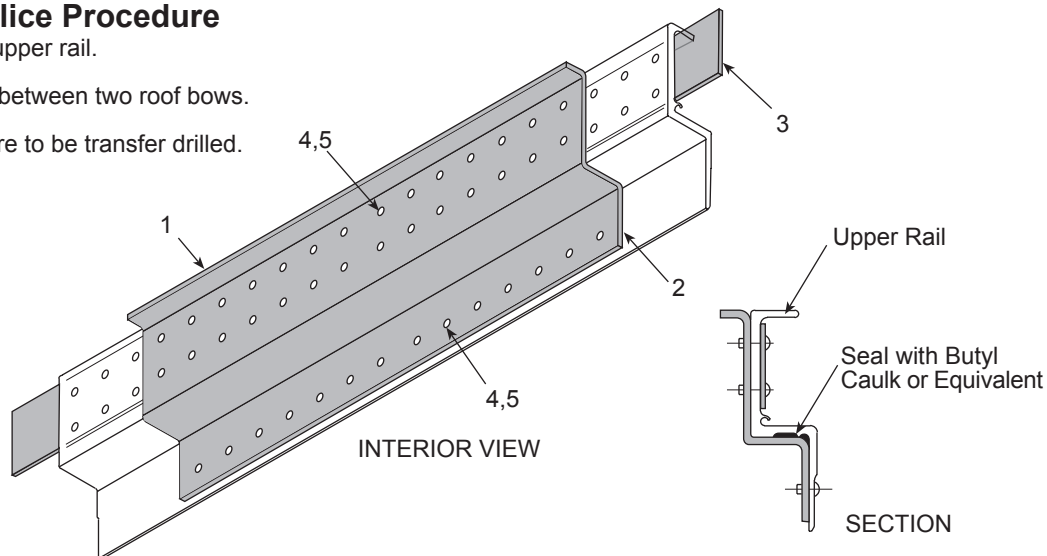
Item No.	Part Number	Description	Quantity
1	01 15805	Lower Splice Plate	1
2	01 15806	Upper Rail Splice Plate	1
3	04 85011	Tape Sealant 4" Wide	60"
4	04 97001	* Magna Grip Pin 3/8 Dia. x .125-.875	44
5	04 97002	* Magna Grip Collar 3/8 Dia.	44
6	04 98055 750 XX	Rivet, CSK HD, 1/4 Dia., 2117-T4 Alum.	48

CONTAINER RAIL SPLICE PLATES

Upper Rails – Stoughton

Upper Rail Splice Procedure

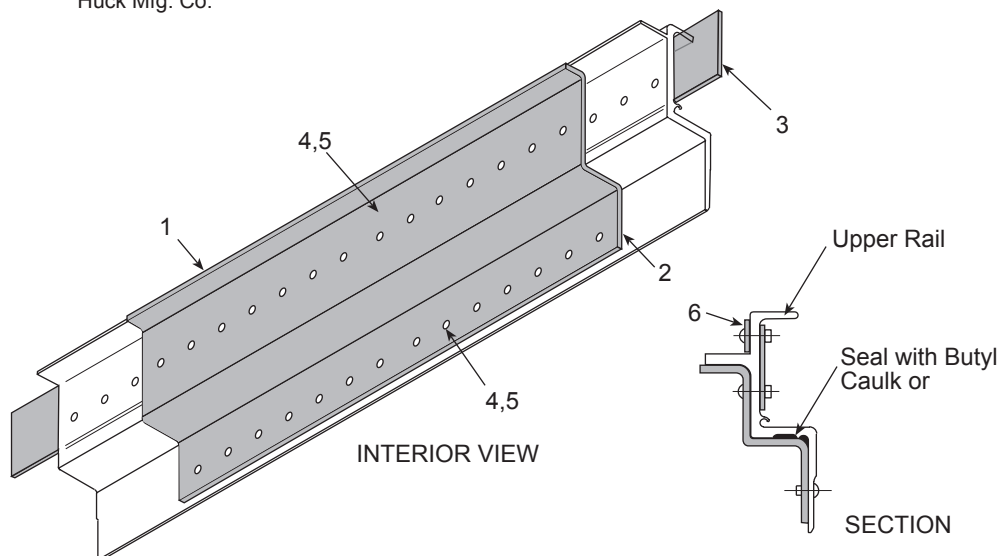
- Do not weld on the upper rail.
- Splice is to be made between two roof bows.
- Holes for fasteners are to be transfer drilled.



FOR CONTAINERS WITH UPPER RAIL SECTION 02 10205

Item No.	Part Number	Description	Quantity
1	01 10658	Inner Rail Splice Plate	1
2	04 85011	Tape Sealant 4" Wide	40"
3	01 10640	Outer Rail Splice Reinforcement	1
4	04 97012	* Magna Grip Pin MGPB-R8-10-CA	58
5	04 97013	* Magna Grip Collar MGC-R8-C	58

*Huck Mfg. Co.



FOR CONTAINERS WITH UPPER RAIL SECTION 02 09827

Item No.	Part Number	Description	Quantity
1	01 10639	Inner Rail Splice Plate	1
2	04 85011	Tape Sealant 4" Wide	40"
3	01 10640	Outer Rail Splice Reinforcement	1
4	04 97012	* Magna Grip Pin MGPB-R8-10-CA	58
5	04 97013	* Magna Grip Collar MGC-R8-C	58
6	01 10646	Upper Rail Splice Reinforcement	1

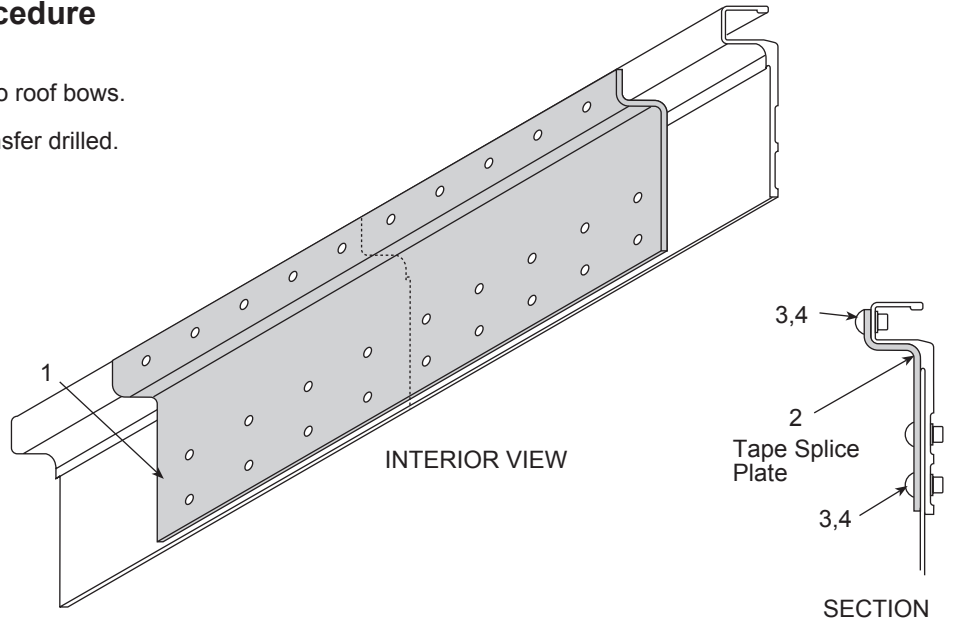
*Huck Mfg. Co.

CONTAINER RAIL SPLICE PLATES

Upper Rails – Stoughton

Upper Rail Splice Procedure

- Do not weld on the upper rail.
- Splice is to be made between two roof bows.
- Holes for fasteners are to be transfer drilled.



FOR CONTAINERS WITH UPPER RAIL SECTION 02 13865

Item No.	Part Number	Description	Quantity
1	01 15804	Upper Rail Splice Plate	1
2	04 85011	Tape Sealant 4" Wide	36"
3	04 97012	* Magna Grip Pin MGPB-R8-10-CA	28
4	04 97013	* Magna Grip Collar MGC-R8-C	28

*Huck Mfg. Co.



Part Number	Page(s)	Part Number	Page(s)	Part Number	Page(s)	Part Number	Page(s)
00 10204 121 25.....	4-3	01 09169 000 00.....	1-9	01 14719 XXX 01.....	2-35	02 05184.....	2-1, 2-16
00 10204 140 00.....	4-3	01 09848 XXX 00.....	1-29	01 14972 000 00.....	4-6	02 05195 120 00.....	6-2
00 14000 144 49.....	2-36	01 09849 XXX 00.....	1-9	01 14975 000 00.....	14-6	02 06388.....	2-10, 2-17
00 14036 120 36.....	2-36	01 09902 000 00.....	2-20	01-14989-000-00.....	9-27	02 06388 083 50.....	1-32
00 15040 102 12.....	3-11	01 09904 110 PV.....	2-36	01 15199 000 00.....	4-6	02 06388 091 50.....	1-32
00 15040 103 00.....	3-11	01 09904 XX1 01.....	2-36	01 15352 000 00.....	2-18	02 06517 109 75.....	2-19
00 15040 103 12.....	3-11	01 09904 XX2 01.....	2-36	01 15784 000 00.....	4-3	02 06626.....	5-2
01 04012 100 00.....	7-1	01 09904 XX2 07.....	2-36	01 15792 000 00.....	1-41, 14-9	02 06654 100 25.....	6-3
01 04012 200 00.....	7-1	01 09904 XXX 07.....	2-36	01 15804.....	15-13	02 06831.....	2-10, 2-17
01 04013 001 00.....	7-1	01 09904 XXX 15.....	2-36	01 15805.....	15-11	02 06831 000 XX.....	1-32
01 04023 000 00.....	4-6	01 09918 000 00.....	1-30	01 15806.....	2-16, 15-11	02 06902 111 12.....	2-19
01 04109 XXX 00.....	1-29	01 09920 XXX 00.....	1-21	01-16197-000-00.....	9-27	02 09727.....	2-1, 2-16
01-04255-002-00.....	9-27	01 09943 001 00.....	7-1	01 16658 XX9 10.....	2-35	02 09828.....	2-1, 2-16
01 04642 XXX 01.....	1-9	01 09943 002 00.....	7-1	01 17051 1XX XX.....	2-35	02 09859 110 00.....	2-19
01 04821 XXX 00.....	5-40	01 09943 003 00.....	7-1	01 17051 2XX XX.....	2-35	02 10205.....	2-10, 2-17
01 04822 000 00.....	5-40	01 09943 004 00.....	7-1	01 18090 000 00.....	1-7	02 10205 091 00.....	1-32
01 04825 010 01.....	5-40	01 09943 008 00.....	7-1	01 18760 X07 06.....	1-10	02 10205 091 38.....	2-1
01 04834 015 00.....	5-40	01 09943 009 00.....	7-1	01 19642 100 00.....	1-10	02 11132.....	2-10
01 04857 000 00.....	5-40	01 09945 000 00.....	7-1	01 19642 200 00.....	1-10	02 11132 091 00.....	1-32
01 04921 000 00.....	6-5	01 10034 001 00.....	1-29	01 19643 000 00.....	1-30	02 11202 105 31.....	2-23
01 04993 000 00.....	1-29	01 10034 XXX 00.....	1-29	01 19661 000 00.....	2-18	02 11321 105 63.....	2-19
01 05425.....	7-8	01 10038 000 00.....	1-9	01 19798 X06 00.....	1-22	02 11426 216 00.....	3-12
01 05646 000 00.....	5-40	01 10041 006 00.....	2-20	01 19981 006 00.....	1-30	02 11815 109 25.....	2-19
01-06284.....	5-47	01 10085 000.....	15-8	01 20165 100 00.....	1-10	02 11885 624 12.....	2-44
01 06360 000 00.....	1-29	01 10246 000 00.....	7-1	01 20165 200 00.....	1-10	02 11920.....	2-10
01 06407 064 00.....	2-20	01 10315 000 00.....	2-18	01 20165 XXX 00.....	1-10	02 11921.....	2-1
01 06499 001 00.....	6-2	01 10639.....	15-12	01-20167-000-00.....	1-23	02 13350.....	2-1
01 06606 001 00.....	5-41	01 10640.....	2-17, 15-12	01 20835 106 00.....	1-29	02 13351.....	2-10
01 06645 000 XX.....	1-32	01 10646.....	15-12	01 20835 206 00.....	1-29	02-13352.....	2-20
01 06650 001 00.....	7-1	01 10651.....	2-16, 15-10	01 20838 106 00.....	1-10	02 13352 110 00.....	2-19
01 06668 000 00.....	1-29	01 10658.....	2-17, 15-12	01 20838 108 00.....	1-10	02 13430.....	2-1
01 07018 027 03.....	3-11	01 10794 006 00.....	1-21	01 20838 206 00.....	1-10	02 13503 110 00.....	2-20
01 07018 030 03.....	3-11	01 10801 000 00.....	4-6	01 20838 208 00.....	1-10	02 13840.....	2-1
01 07018 040 03.....	3-11	01 10857 000 00.....	7-1	01 20901.....	2-16	02 13865.....	2-10
01 07018 045 03.....	3-11	01 10871 000 00.....	5-40	01 21117 006 00.....	2-23	02 13865 091 00.....	1-32
01 07018 048 03.....	3-11	01 11007 000 00.....	7-1	01 21117 006 01.....	2-23	02 14396 096 00.....	2-20
01 07018 053 03.....	3-11	01 11010 006 00.....	1-21	01 21117 013 00.....	2-23	02 14610.....	2-1
01 07018 100 03.....	3-11	01 11548 000 00.....	5-12	01 21121 006 00.....	2-23	02 14656 110 00.....	2-23
01 07043 010 00.....	5-40	01 11601 002 00.....	1-21	01 21122 006 00.....	2-23	02 14656 122 38.....	2-23
01 07044 100 00.....	5-40	01 11610 000 00.....	1-40	01 21122 013 00.....	2-23	02 14657.....	2-10
01 07044 200 00.....	5-40	01 11627 000 00.....	2-17	01-21144-006-00.....	1-23	02 14899 105 31.....	2-20
01 07061 000 00.....	7-1	01 11627 001 00.....	2-17	01 21745.....	2-17	02 14900 110 00.....	2-20
01 07129 024 00.....	4-3	01 11814 000 00.....	13-4	01 21746.....	2-16	02 16542 110 00.....	2-23
01 07187 001 00.....	5-42	01 11904 000 00.....	2-18	01 21901.....	2-16	02 16543 106 38.....	2-23
01 07187 008 00.....	5-42	01 12168 000 00.....	2-17	01 21923.....	2-17	02 16543 122 38.....	2-23
01 07224 001 00.....	6-5	01 12558 000 00.....	5-42	01 22009 000 00.....	1-7	02 16544.....	2-1, 2-16
01 07224 002 00.....	6-5	01 12992 006 00.....	1-30	01 22238 000 00.....	2-47	02 16545.....	2-10
01 07286 000 00.....	14-6	01 12993 000 00.....	1-40	01 22503 XX6 00.....	2-36	02 16545 000 00.....	1-32
01 07476.....	2-16	01 12994 XXX 00.....	1-9	01 22503 XX6 02.....	2-36	02 16671 109 12.....	1-10
01 07544.....	2-17	01 12994 XXX 01.....	1-9	01 22583 106 00.....	1-10	02 18804 613 50.....	2-10, 2-18
01 07739 000 00.....	1-9	01 12994 XXX 04.....	1-9	01 22583 206 00.....	1-10	02-19144.....	2-20
01 07884 000 00.....	6-5	01 12994 XXX 05.....	1-9	01 23032.....	2-16	02 19144 107 56.....	2-20
01 07979.....	2-17	01 12997 006 00.....	1-21	01 23264 006 00.....	2-23	02 19469.....	2-1
01 07983.....	2-16, 15-10	01 12998 006 00.....	1-21	1R11-028.....	9-25	02 19470 314 00.....	2-18
01 08004 100 00.....	2-17	01 12999 000 00.....	1-21	1R12-014.....	9-25	02 20021.....	2-2
01 08004 200 00.....	2-17	01 13080 006 00.....	2-22	1R12-066.....	9-25	02 20022.....	2-2
01 08034 XXX 00.....	1-29	01 13208 015 02.....	2-19	1R12-069.....	9-25	02 20066 322 38.....	2-18
01 08215 XXX 00.....	2-36	01 13214 XXX 04.....	2-36	1R12-090.....	9-25	02 20498.....	2-2, 2-16
01 08525 XXX 00.....	1-21	01 13591 200 00.....	1-10	1R12-093.....	9-25	02 20548.....	2-16
01 08561 105 01.....	2-36	01 13667 007 00.....	1-9	1R12-167.....	9-25	02 20572.....	2-2, 2-16
01 08561 110 01.....	2-36	01 13685 007 00.....	1-22	1R13-038.....	9-25	02 20573.....	2-10, 2-17
01 08581 XXX 01.....	1-9	01 13757 X04 00.....	2-36	1R14-028.....	9-25	02 22153.....	2-10
01 08581 XXX 05.....	1-9	01 13757 X06 00.....	2-36	1R14-039.....	9-25	02 22154.....	2-2
01 08637 XXX 00.....	1-9	01 13757 X11 00.....	2-36	02 04079.....	5-2	02 22400.....	2-2
01 08637 XXX 01.....	1-9	01 13943 000 00.....	2-18	02 04306.....	2-18	02 22626.....	2-10
01 08808 XXX 00.....	1-9, 1-25	01 13951 100 00.....	1-10	02 04793 110 00.....	2-19	02 22823.....	2-3, 2-16
01 08875 000 00.....	7-1	01 14409 000 00.....	1-9	02 04793 125 00.....	2-19	02 22839.....	2-16
01 08913 000 00.....	7-1	01 14703 X06 09.....	2-35	02 04795.....	2-10	02-22839.....	2-2
01 09031 XXX 00.....	1-29	01 14707 000 00.....	1-30	02 04922 108 75.....	2-19	02 22843.....	2-16
01 09033 XX1 00.....	2-36	01 14708 XXX 00.....	1-29	02 04922 126 75.....	2-19	02 24154.....	2-3



Part Number	Page(s)	Part Number	Page(s)	Part Number	Page(s)	Part Number	Page(s)
02 24169.....	2-3	04 09600 000 00.....	5-12	04 60007 9513.....	11-7	04 85294 000 02.....	14-2
2B9-201.....	9-25	04 09728 000 00.....	1-3	04 60007 9526.....	11-7	04 85299 000 XX.....	14-5
2B9-206.....	9-25	04 09816 000 00.....	1-3	04 60007 9531.....	11-7	04 85299 001 XX.....	14-5
2B12-300.....	9-25	04 10207 000 00.....	3-1	04 60007 9534.....	11-7	04 85327 120 00.....	14-9
2B12-307.....	9-25	04 10207 002 00.....	3-1	04 60007 9577 00.....	11-7	04 85327 618 00.....	14-9
2B12-309.....	9-25	04 12514.....	5-12	04 60010 000 00.....	11-11	04 85341 000 00.....	14-4
2B12-313.....	9-25	04 12827 078 00.....	11-12	04 60011 000 00.....	11-11	04 85376 000 00.....	5-41
2B12-406.....	9-25	04 12827 114 00.....	11-12	04 60025 000 00.....	11-11	04 85381 000 00.....	5-42
2B14-356.....	9-25	04 12834 100 00.....	1-3	04 60058 000 00.....	11-7	04 85451 XXX 00.....	5-1
2B14-359.....	9-25	04 12834 200 00.....	1-3	04 60099 000 00.....	11-11	04 85456 001 00.....	5-42
2B14-360.....	9-25	04 12835 000 00.....	1-3	04 60238 000 00.....	11-11	04 85456 002 00.....	5-42
2C-PVW.....	2-2	04 13580 111 88.....	2-23	04 60239 000 00.....	11-11	04 85456 003 00.....	5-42
2PVW.....	2-2	04 13847 109 88.....	1-10	04 60355 000 00.....	11-7	04 85478 000 53.....	5-3
03 04604 144 00.....	6-6	04 13853 000 00.....	1-3	04 60357.....	11-8	04 85487 000 00.....	5-42
03 06347 110 00.....	2-20	04 14279 109 12.....	1-10	04 60476.....	11-7	04 85487 000 02.....	5-42
03 06347 124 75.....	2-20	04 14448.....	14-9	04-65001-000-00.....	10-5	04 85488 000 00.....	14-3
03 07882 004 00.....	6-3	04 14457.....	14-9	04 65081 000 00.....	10-4	04 85496 008 01.....	15-1, 15-3
03 09372 108 75.....	2-23	04 14668 000 00.....	14-4	04-65241-000-00.....	10-6	04 85496 008 02.....	15-1, 15-3
03 09686 108 75.....	2-20	04 14722 000 00.....	2-47, 14-9	04-65241-245-00.....	10-6	04 85496 009 01.....	15-3
03 09686 125 25.....	2-20	04 14908 000 00.....	1-3	04 80291 001 00.....	7-8	04 85496 009 02.....	15-3
03 09735 000 00.....	2-20	04 16546 000 00.....	1-3	04 85002 001 00.....	14-1	04 85506 100 00.....	15-4
03 10206 108 75.....	2-20	04 16654 001 01.....	2-36	04 85004 000 05.....	5-9	04 85506 200 00.....	15-4
03 10581 108 75.....	2-23	04 16654 126 00.....	2-36	04 85004 100 00.....	5-8	04 85507 100 00.....	15-2
03 12613 105 62.....	2-20	04 18306 000 00.....	1-3	04 85004 100 KIT.....	5-8	04 85507 200 00.....	15-2
03 12991 110 00.....	1-30	04 18454 001 00.....	6-4	04 85004 200 00.....	5-8	04 85521 XXX 01.....	5-1
03 13042 108 75.....	2-22	04 18503 114 00.....	11-12	04 85004 200 KIT.....	5-8	04 85592 075 00.....	8-1
03 13432 108 75.....	2-22	04 18583 001 00.....	4-4	04 85005 100 KIT.....	5-10	04 85592 100 00.....	8-1
03 13509 108 75.....	2-20	04 18998 006 00.....	2-22	04 85005 200 KIT.....	5-10	04 85625 001 00.....	2-47, 14-9
03 14275 000 00.....	2-20	04 18999 006 00.....	2-21	04 85011.....	15-10, 15-11,	04 85684 000 00.....	15-6
03 14275 109 81.....	1-30	04 19507 000 00.....	1-3		15-12, 15-13	04 85708 001 00.....	2-47
03 15456 107 38.....	1-30	04 19648 005 00.....	2-21	04 85011 000 00.....	14-5	04 85776 100 00.....	5-9
03-16930.....	2-19	04 20007 096 00.....	2-44	04 85011 001 XX.....	14-5	04 85776 200 00.....	5-9
03 16930 108 75.....	2-20	04 20018 001 00.....	6-4	04 85016 000 XX.....	3-11, 14-5	04 86131 000 00.....	10-11
03 16930 124 75.....	2-20	04 20019 002 00.....	3-1	04 85017 000 XX.....	3-11	04 86185 002 01.....	5-41
03 17778 618 00.....	14-9	04 20020 001 00.....	3-1	04 85017 001 XX.....	14-5	04 86386 001 00.....	5-13
03 19516 106 75.....	1-30	04 20098 001 00.....	2-22	04 85043 000 00.....	12-1	04 86386 003 00.....	5-12
03 85008 577 25.....	6-6	04 20098 002 00.....	2-22	04 85084.....	14-2	04 86386 005 00.....	5-22
03 85009 577 25.....	6-6	04 20577 006 00.....	2-22	04 85090 564 12.....	2-45	04 86408 001 00.....	14-5
3B14-356.....	9-25	04 20624 100 00.....	1-3	04 85090 624 12.....	2-45, 2-46	04 86970 004 00.....	2-47
3M981-326.....	13-4	04 20624 200 00.....	1-3	04 85097 000 00.....	7-42	04-86997-000-00.....	14-4
3M983-10.....	13-4	04 20671 006 00.....	2-22	04 85102 564 18.....	2-45	04 92001 000 00.....	2-47
3M983-32.....	13-4	04 20679 006 00.....	2-22	04 85102 624 18.....	2-45	04 92015 000 00.....	6-1
04 0002B 000 00.....	11-10	04 21026 000 00.....	2-22	04 85104 000 00.....	14-4	04 92015 000 05.....	6-1
04 0002R 000 00.....	11-10	04-21202-000-00.....	14-3	04 85104 000 01.....	14-4	04 92020 027 OK.....	6-1
04 00011 000 00.....	14-12	04 21216 000 00.....	2-21	04 85104 000 X2.....	14-4	04 92020 048 OK.....	6-1
04 00012 000 00.....	14-12	04 21804 096 00.....	2-44	04 85104 000 X4.....	14-4	04 92020 053 OK.....	6-1
04 00013 000 00.....	14-12	04 21987 000 00.....	1-3, 2-18	04 85104 PLY 00.....	14-4	04 92020 240 XX.....	6-1
04 00014 000 00.....	14-12	04 22044 100 00.....	1-3	04 85108 000 00.....	5-41	04 92021 027 OK.....	6-1
04 00015 000 00.....	14-12	04 22044 200 00.....	1-3	04 85112 000 00.....	5-11	04 92021 048 OK.....	6-1
04 00016 000 00.....	14-12	04 22401 001 00.....	5-1	04 85113 100 00.....	5-42	04 92021 053 OK.....	6-1
04 00017 000 00.....	14-12	04 22401 001 01.....	5-1	04 85113 200 00.....	5-42	04 92022 027 OK.....	6-1
04 00018 000 00.....	14-12	04 22402 168 00.....	5-3	04 85199 000 00.....	5-41	04 92022 048 OK.....	6-1
04 00019 000 00.....	14-12	04 22599 001 00.....	3-1	04 85200 000 50.....	5-3	04 92022 053 OK.....	6-1
04 00020 000 00.....	14-12	04-22820-000-00.....	14-3	04 85206 000 01.....	14-2	04 92080 000 00.....	6-1
04 06435 000 00.....	5-2	04 23439 006 00.....	2-22	04 85206 000 CK.....	14-2	04 92080 000 05.....	6-1
04 06435 150' BOX.....	5-2	04 23654 000 00.....	2-21	04 85208 000 01.....	14-5	04 92292 326 XX.....	6-1
04 06638 102 00.....	6-3	04 23673 000 00.....	5-1	04 85208 000 02.....	14-5	04 95003 100 00.....	8-6
04 06638 102 X6.....	6-3	04 23727 096 00.....	2-45	04 85212 000 00.....	5-13	04 95004 500 00.....	14-4
04 06638 102 XX.....	6-3	04 23728 096 00.....	2-45	04 85213 000 00.....	5-13	04 95007 125 00.....	8-6
04 06638 DRILL 00.....	6-3	04 24346 001.....	2-3	04 85221 000 50.....	5-3	04 95028 075 00.....	8-5
04 06638 DRILL XX.....	6-3	04 24346 002.....	2-3	04 85221 000 LD.....	5-3	04 95028 100 00.....	8-5
04 06638 KIT.....	6-5, 8-1	04 24346 003.....	2-3	04 85221 000 X3.....	5-3	04 95029 100 00.....	3-10, 8-1
04 07052 102 00.....	6-3	04 45985 100 00.....	5-2	04 85221 001 50.....	5-3	04 95033 100 00.....	8-1
04 07656 000 00.....	5-42	04-50517-228-00.....	9-27	04 85221 002 50.....	5-3	04 95033 125 00.....	8-1
04 07660.....	3-1	04 50563 228 00.....	9-27	04 85273 000 01.....	14-3	04 95033 150 00.....	8-1
04 08316 000 00.....	5-13	04 52727 800 00.....	5-1	04 85273 000 02.....	14-3	04 95075 100 00.....	3-10, 8-1
04 08725 250 00.....	5-2	04 60006 000 01.....	11-7	04 85274 000 00.....	5-42	04 95501 000 00.....	8-6
04 08725 500 00.....	5-2	04 60007 000 00.....	11-7	04 85275 620 00.....	2-45	04 95502 000 00.....	8-6
04 08726 000 00.....	14-3	04 60007 1214 00.....	11-7	04 85294 000 00.....	14-2	04 95503 000 00.....	8-6
04 08726 001 00.....	14-3	04 60007 1214 20.....	11-7	04 85294 000 01.....	14-2	04 95504 000 00.....	8-6



Part Number	Page(s)	Part Number	Page(s)	Part Number	Page(s)	Part Number	Page(s)
04 95505 000 00	14-4	20 09274 001 XX	1-32	905-57-159	9-25	42624	10-9
04 95506 000 00	8-6	21 03095 KIT	5-41	905-57-223	9-25	42672	10-9
04 95528	5-47	21 03096 206 00	5-40	905-57-225	9-25	42800	10-9
04 95536 000 00	3-10, 8-1	21 04492 000 00	2-22, 4-1	905-57-228	9-25	43424	14-2
04 95549 000 00	3-10, 8-1	23 03117 000 00	3-1	905-57-235	9-25	43752	10-9
04 96004	8-6	23 04006 000 00	3-1	2353C	10-5	43753	10-9
04 96006	8-6	23 04006 001 00	3-1	2546C	10-5	43763	10-9
04 96008	8-6	23 04039 000 00	3-1	2577A	10-5	43764	10-9
04 96008 000 00	14-4	23 06636 000 00	3-1	2705	10-5	43800 W/455034	10-9
04 96031 000 00	3-10, 8-1	24 05770 000 00	4-6	2730	10-5	43860	10-9
04 96042 000 00	3-10, 8-1	31 03114 100 00	5-47	2997	10-5	43865	10-9
04 96501 200 00	6-1, 8-5	31 03114 200 00	5-47	3018A	10-5	44919	10-9
04 96501 200 T40	6-1, 8-5	31 03514	7-42	3120	10-5	44922	10-9
04 96501 250 00	6-1, 8-5	31 03704 001	5-49	3136A	10-5	45097	10-9
04 96501 300 00	6-1, 8-5	31 03704 002	5-49	3141	10-5	45099	10-9
04 96501 350 00	8-5	31 03851 001	5-49	3166	10-5	45102	10-9
04 96501 400 00	6-1, 8-5	508-60-001	9-8	6701	9-1	45103	10-9
04 96501 500 00	8-5	0538-00	9-17, 9-19	6707	9-1	45158	10-9
04 96507 150 XX	6-1, 8-5	0636-01	9-17, 9-19	6715	9-1	45160	10-9
04 96507 175 XX	6-1, 8-5	0636-02	9-17, 9-19	6717	9-1	46304	10-9
04 96507 200 XX	6-1, 8-5	0636-03	9-17, 9-19	6719	9-1	46305	10-9
04 96507 250 XX	6-1, 8-5	0636-04	9-17, 9-19	6720	9-1	47695	10-9
04 96507 300 XX	6-1, 8-5	0636-015	9-17, 9-19	6811	9-1	47697	10-9
04 96507 400 XX	6-1, 8-5	0636-025	9-17, 9-19	6828	9-1	47699	10-9
04 96507 500 XX	6-1, 8-5	0636-035	9-17, 9-19	6833	9-1	48000	10-9
04 96517 100 XX	8-5	847	10-9	6841	9-1	48001	10-9
04 96517 200 XX	8-5	848	10-9	6860	9-1	48794	10-9
04 96517 300 XX	8-5	849	10-9	6861	9-1	48884	10-9
04 97001	15-10, 15-11	850	10-9	6863	9-1	52658	10-9
04 97002	15-10, 15-11	851	10-9	6886	9-1	74001	9-1
04 97012	15-10, 15-12, 15-13	852	10-9	6891	9-1	74003	9-1
04 97013	15-10, 15-12, 15-13	853	10-9	6893	9-1	74004	9-1
04 97505 000 03	8-5	854	10-9	6894	9-1	74006	9-1
04 97507 000 00	8-5	855	10-9	6895	9-1	74025	9-1
04 97508 100 00	8-5	856	10-9	6898	9-1	74028	9-1
04 97511 000 00	8-5	857	10-9	6902	9-1	74069	9-1
04 97611 000 00	8-5	858	10-9	6903	9-1	74400	9-1
04 98002 313 XX	8-4	859	10-9	6912	9-1	74402	9-1
04 98002 375 XX	8-4	860	10-9	6913	9-1	74405	9-1
04 98002 438 XX	8-4	861	10-9	6916	9-1	74406	9-1
04 98002 500 XX	8-4	880-82920	8-5	6921	9-1	74408	9-1
04 98002 563 XX	8-4	890-60008	8-5	6924	9-1	74409	9-1
04 98002 625 XX	8-4	890-60020	8-5	6957	9-1	74411	9-1
04 98002 750 XX	8-4	900-54-079	9-2	6966	9-1	74412	9-1
04 98003 100 XX	8-4	905-55-100	9-8	6969	9-1	74413	9-1
04 98003 438 XX	8-4	905 57 001	9-25	8656	10-5	74415	9-1
04 98003 500 XX	8-4	905 57 003	9-25	12307	10-5	74416	9-1
04 98003 563 XX	8-4	905 57 009	9-25	17784-01	9-31	74417	9-1
04 98003 625 XX	8-4	905 57 014	9-25	28408	10-6	74418	9-1
04 98003 688 XX	8-4	905 57 016	9-25	28409	10-6	74420	9-1
04 98003 750 XX	8-4	905-57-023	9-25	28832	10-9	120574	10-5
04 98003 875 XX	8-4	905-57-027	9-25	32470	10-9	120586	10-5
04 98010 000 00	8-4	905 57 077	9-25	34386	10-9	120754	10-5
04 98010 000 01	8-4	905 57 078	9-25	34387	10-9	120877	10-5
04 98038 100 XX	8-4	905 57 086	9-25	35059	10-9	122009	10-5
04 98038 813 XX	8-4	905-57-94	9-25	35066	10-9	122126	10-5
04 98038 875 XX	8-4	905-57-103	9-25	35705	10-9	122455	10-5
04 98039 375 XX	8-4	905-57-113	9-25	36285	10-9	122550	10-5
04 98039 438 XX	8-4	905 57 117	9-25	38709	10-9	122600	10-5
04 98039 500 XX	8-4	905 57 120	9-25	38750	10-9	122607	10-5
04 98039 563 XX	8-4	905-57-120	9-25	38779	10-9	122822	10-5
04 98054	8-4	905 57 121	9-25	38780	10-9	123022	10-5
04 98055 750 XX	15-11	905-57-122	9-25	39425	10-9	123416	10-5
04 98505 000 00	8-5	905-57-124	9-25	39977 W/455031	10-9	370001A	10-9
04 98510	5-22	905-57-127	9-25	39988 W/455031	10-9	370002A	10-9
11M018-8	9-3	905-57-130	9-25	40133	10-9	370003A	10-9
17 03389 001 00	6-4	905-57-131	9-25	40136	10-9	370005A	10-9
17 06637 000 00	6-4	905-57-139	9-25	42550 W/455024	10-9	370006A	10-9
20 03640 000 00	1-41	905 57 150	9-25	42622	10-9	370007A	10-9
20 06677 000 XX	1-32	905-57-150	9-25	42623	10-9	370008A	10-9



Part Number	Page(s)	Part Number	Page(s)	Part Number	Page(s)	Part Number	Page(s)
370009A	10-9	AC3520KSB	10-6	BKCU231Q1A11-	9-47	BKLG0624-08	7-20
370012A	10-9	AC4020KSB	10-6	BKCU241Q1A11-	9-47	BKLG0624-09	7-20
370018A	10-9	AC4220KSB	10-6	BKLG44AB-70	7-20	BKLG0658-01	7-19, 7-21
370019A	10-9	AC4420KSB	10-6	BKLG44AB-71	7-20	BKLG0659-01	7-19, 7-21
370020A W/AR10	10-9	AC007981-001	9-26	BKLG44AB-72	7-20	BKLG0659-10	7-11, 7-15
370021A	10-9	AC27404	10-6	BKLG0050	7-15, 7-19, 7-21	BKLG0660	7-19, 7-21
370022A	10-9	AC27406	10-6	BKLG0051	7-15, 7-19, 7-21	BKLG0662	7-19, 7-21
370023A	10-9	AC28408	10-6	BKLG0055	7-15, 7-19, 7-21	BKLG0663	7-19, 7-21
370024A	10-9	AC28409	10-6	BKLG0055-01	7-15	BKLG0668	7-19, 7-21
370025A	10-9	AC30391N-22.5	10-6	BKLG0056	7-15, 7-19, 7-21	BKLG0675	7-19, 7-21
370030A	10-9	AC30391N-24.5	10-6	BKLG0056-02	7-15	BKLG0718-01	7-11, 7-21
370031A	10-9	ACTR-573	10-12	BKLG0065	7-15	BKLG0725	7-11, 7-21
370033A	10-9	AP 78491	2-47	BKLG0065-01	7-15	BKLG0726	7-21
370033A W/AR12	10-9	APWIDE-TAB	5-3	BKLG0065-02	7-15	BKLG0732-01	7-11, 7-21
370036A	10-9	AR-90-1-12	9-10	BKLG0065-04	7-15	BKLG0740-01	7-11, 7-21
370037A	10-9	AR-90-1-14	9-10	BKLG0070-02	7-11, 7-15, 7-19, 7-21	BKLG0748-17	7-20
370047A	10-9	AR-90-1-15	9-10	BKLG0083	7-19, 7-21	BKLG0884-01	7-20
370048A	10-9	AR-90-1-16	9-10	BKLG0083-01	7-12, 7-16	BKLG0888-01	7-20
370054A	10-9	AR-90-1-17	9-10	BKLG0083-03	7-12, 7-16	BKLG0888-02	7-20
370057A	10-9	AS 4713	2-18	BKLG0083-05	7-12, 7-16	BKLG0888-03	7-20
370065A	10-9	AS5782	6-2	BKLG0085	7-19, 7-21	BKLG0914-01	7-20
370069A	10-9	AS8202	6-2	BKLG0091	7-19, 7-21	BKLG0928	7-21
370106A W/AR12	10-9	AS8203	6-2	BKLG0094	7-19, 7-20, 7-21	BKLG0946	7-21
370107A	10-9	AXL 71-50-STD	10-1	BKLG0122	7-15	BKLG0950-01	7-20
370121A	10-9	AXL 71-62-LNG	10-1	BKLG0219	7-19, 7-21	BKLG0950-02	7-20
370124A	10-9	AXL 77-50-STD	10-1	BKLG0219-01	7-19, 7-21	BKLG0950-03	7-20
370131A	10-9	AXL 77-62-INT	10-1	BKLG0228-02	7-18	BKLG1364	7-19
370182A	10-9	AXL 77-62-LNG	10-1	BKLG0228-04	7-18	BKLG1570	7-19, 7-21
370338A	10-9	B-11651	9-25	BKLG0228-06	7-18	BKLG1815-05	7-15
370590A	10-9	BD10708	10-12	BKLG0229-02	7-18	BKLG1823-01	7-21
380001A	10-9	BD10709	10-12	BKLG0229-04	7-18	BKLG1823-02	7-11, 7-15
380003A	10-9	BD37891	10-12	BKLG0229-06	7-18	BKLG2130-07	7-8
380025A	10-9	BD37892	10-12	BKLG0259	7-19	BKLG2884	7-11, 7-15
19780110	9-17, 9-19	BD106201	10-12	BKLG0260	7-19	BKLG2926	7-11
19780115	9-17, 9-19	BD106202	10-12	BKLG0261-01	7-19, 7-21	BKLG2926-10	7-11
19780120	9-17, 9-19	BD106216	10-12	BKLG0264	7-19	BKLG2963-01	7-11
19780125	9-17, 9-19	BD106397	10-12	BKLG0266	7-19, 7-21, 7-29, 7-31	BKLG2963-02	7-11
19780130	9-17, 9-19	BK728003	7-15	BKLG0369-01	7-19	BKLG2963-03	7-11
19780135	9-17, 9-19	BK730638	7-15	BKLG0370-01	7-19	BKLG2963-04	7-11
19780140	9-17, 9-19	BK730640	7-15	BKLG0371-01	7-19, 7-21	BKLG2964-01	7-11
90001215	9-7	BKCH111Q1A11-	9-47	BKLG400B	7-20	BKLG2964-02	7-11
90001216	9-7	BKCH121Q1A11-	9-47	BKLG400C	7-20	BKLG2964-03	7-11
90008149	9-7	BKCH131Q1A11-	9-47	BKLG0413	7-19	BKLG2964-04	7-11
90008234	9-7	BKCH141Q1A11-	9-47	BKLG0428	7-19, 7-21	BKLG2968	7-11, 7-15
90008238	9-7	BKCH211Q1A11-	9-47	BKLG0531-02	7-19	BKLG2969	7-11, 7-15
90036177	9-7	BKCH221Q1A11-	9-47	BKLG0541-01	7-19, 7-21	BKLG2975	7-11, 7-15
90036217	9-7	BKCH231Q1A11-	9-47	BKLG0542-01	7-19, 7-21	BKLG2980	7-11, 7-15
90044162	9-7	BKCH241Q1A11-	9-47	BKLG0543-01	7-19, 7-21	BKLG2996	7-11, 7-15
90045040	9-7	BKCL111Q1A11-	9-47	BKLG0544	7-19, 7-21	BKLG3005	7-11, 7-15
90045298	9-7	BKCL121Q1A11-	9-47	BKLG0553	7-19	BKLG3011-01	7-11, 7-15
90045299	9-7	BKCL131Q1A11-	9-47	BKLG0553-05	7-21	BKLG3011-02	7-11, 7-15
90501350	9-7	BKCL141Q1A11-	9-47	BKLG0559-01	7-19, 7-21	BKLG3011-03	7-11, 7-15
90501351	9-7	BKCL211Q1A11-	9-47	BKLG0569	7-18	BKLG3012-01	7-10
90508019	9-7	BKCL221Q1A11-	9-47	BKLG0569-01	7-18	BKLG3012-02	7-10
90516945	9-7	BKCL231Q1A11-	9-47	BKLG0569-04	7-18	BKLG3012-03	7-10
90516946	9-7	BKCL241Q1A11-	9-47	BKLG0570-01	7-19, 7-21	BKLG3012-04	7-10
90557194	9-7	BKCT111Q1A11-	9-47	BKLG0574-01	7-18	BKLG3053-01	7-10
90557223	9-7	BKCT121Q1A11-	9-47	BKLG0574-02	7-18	BKLG3053-02	7-10
90557225	9-7	BKCT131Q1A11-	9-47	BKLG0574-04	7-18	BKLG3053-03	7-10
93003597	9-7	BKCT141Q1A11-	9-47	BKLG0580-02	7-18	BKLG3053-04	7-10
93003633	9-7	BKCT211Q1A11-	9-47	BKLG0580-03	7-18	BKLG3053-05	7-10
93201051	9-7	BKCT221Q1A11-	9-47	BKLG0580-05	7-18	BKLG3061-01	7-10
93400136	9-7	BKCT231Q1A11-	9-47	BKLG0599	7-21	BKLG3061-02	7-10
93400149	9-7	BKCT241Q1A11-	9-47	BKLG0613-02	7-20	BKLG3061-03	7-10
93400367	9-7	BKCU111Q1A11-	9-47	BKLG0613-03	7-20	BKLG3061-04	7-10
93400492	9-7	BKCU121Q1A11-	9-47	BKLG0615	7-21	BKLG3061-05	7-10
93400506	9-7	BKCU131Q1A11-	9-47	BKLG0624-01	7-20	BKLG3061-07	7-10
93600072	9-7	BKCU141Q1A11-	9-47	BKLG0624-02	7-20	BKLG3061-08	7-10
93600077	9-7	BKCU211Q1A11-	9-47	BKLG0624-03	7-20	BKLG3061-13	7-10
AC262FL2	10-6	BKCU221Q1A11-	9-47	BKLG0624-07	7-20	BKLG3061-14	7-10



Part Number	Page(s)	Part Number	Page(s)	Part Number	Page(s)	Part Number	Page(s)
BKLG3097-01	7-10	BKSLO523-07	9-47	BKXB-SP0011-44	9-33	CON9243	9-24
BKLG3097-02	7-10	BKSLO724-32	9-27	BKXB-SP0012-36	9-33	CON9265	9-24
BKLG3097-03	7-10	BKSLO724-38	9-27	BKXB-SP0016-67	9-33	CON9270	9-24
BKLG4001-70	7-1, 7-20	BKSLO724-42	9-27	BKXB-SP0054-02	9-33	CON9293	9-24
BKLG4001-70 L/HDW	7-20	BKSLO724-48	9-27	BKXB-SP0054-05	9-33	CON9295	9-24
BKLG4001-71	7-20	BKSL-O893	9-47	BKXB-SP0145	9-33	CON9307	9-24
BKLG4001-72	7-20	BKSLOA1238	9-47	BKXB-SPG-020-18	9-45	CON9321	9-24
BKLG4008-70	7-20	BKSLOA1239-01	9-47	BKXB-SPG-020-19	9-44	CON9362	9-24
BKLG4008-71	7-20	BKSLOA1239-02	9-47	BKXB-SPG-020-35	9-47	CON9365	9-24
BKLG4008-72	7-20	BKSLOA1261	9-47	BKXB-SPG-020-36	7-19, 7-21	CON9366	9-24
BKLG5001-70	7-18	BKSLOA1273	9-47	BKXB-ST5-008-11	7-11, 7-15, 7-19, 7-21	CON9394	9-24
BKLG5001-70 L/HDW	7-18	BKSLOA1274	9-47	BKXB-ST5-008-16	9-45, 9-47	CON9484	9-24
BKLG5001-71	7-18	BKSLOA1277-01	9-47	BLKG400B-70 L/HDW	7-20	CON9580	9-24
BKLG5001-72	7-18	BKSP0049	9-33	BRGHL-12000	11-10	CON9640	9-24
BKPP0001-33	9-44, 9-45	BKSP0075-01	9-33	BRKL-3000	14-1	CON9780	9-24
BKPP0008-16	9-44	BKSP0075-02	9-33	BX065104	11-6	CON9807	9-24
BKPP0012-04	7-19, 7-21	BKSP0075-03	9-33	BX102165	11-5	CON9921	9-24
BKPP0012-10	7-21, 9-33	BKSP0075-04	9-33	BX281711	11-5	CON9923	9-24
BKPP0012-37	9-33	BKSP0075-05	9-33	BXKO33223	11-6	DDDG-5/6H	10-11
BKPP0013-77	7-19, 7-21	BKSP0075-06	9-33	CHTWISTER-XL28	14-12	DDDG-5/6HG	10-11
BKPP0014-07	7-19, 7-21	BKSP0075-07	9-33	CHXGO-10	14-12	DDDG-5/6P	10-11
BKPP0014-27	7-19, 7-21	BKSP0075-08	9-33	CHXL28-1/2	14-12	DDDG-6G	10-11
BKPP0016-03	7-19, 7-21	BKSP0083-01	9-33	CHXL28-1/4	14-12	DDDG-6H	10-11
BKPP0016-08	9-44, 9-45	BKSP0083-02	9-33	CHXL28-1/8	14-12	DDDG-6P	10-11
BKPP0016-14	7-19, 7-21	BKSP0099	9-33	CHXL28-3/8	14-12	DDDG-7.5G	10-11
BKPP0018-02	7-19, 7-21	BKSP0100	9-33	CHXL28-3/16	14-12	DDDG-HP	10-11
BKPP0022-08	7-19, 7-21	BKSP0110	9-33	CHXL28-5/16	14-12	DDDG-P	10-11
BKPP0050-42	7-19, 7-21	BKSP0120	9-33	CHXL28-7/32	14-12	DIF12960	11-8
BKPP0050-69	7-19	BKSP0123	9-33	CHXL28-9/32	14-12	DIP10400	11-8
BKPP0050-71	9-33	BKSP0131	9-33	CHXL28-11/64	14-12	DIP10500	11-8
BKPP0050-73	9-33	BKSP0136	9-33	CHXL28-13/64	14-12	DIP12360	11-8
BKPP0050-75	9-33	BKSP0139	9-33	CHXL28-17/64	14-12	DIP12560	11-8
BKPP0052-28	9-45	BKSP0142-01	9-33	CHXL28-25/64	14-12	DIP12581	11-8
BKPP0052-30	9-44	BKSP0142-02	9-33	CI21102	10-7	DIP18560	11-8
BKPP0052-30	9-44	BKSP0142-03	9-33	CI21103	10-7	DIP90013	11-8
BKPP0052-30	9-44	BKSP0142-04	9-33	CI22102	10-7	DIP92410	11-8
BKPP0052-30	9-44	BKSP0142-05	9-33	CI22103	10-7	DIP92411	11-8
BKPP0052-30	9-44	BKSP0143	9-33	CI23102	10-7	DIP93010	11-8
BKPP0052-30	9-44	BKSP0143	9-33	CI23106	10-7	DIP93011	11-8
BKPP0052-30	9-44	BKSP0143	9-33	CKAFS 12X53	2-46	DNM10WJ227	10-1
BKPP0052-30	9-44	BKSP0143	9-33	CKAFS 16X48	2-46	DNM12WKL10-184	10-2
BKPP0052-30	9-44	BKSP0143	9-33	CKAFS 16X53	2-46	DNM12WKL20-233	10-2
BKPP0052-30	9-44	BKSP0143	9-33	CKAFS 16X53	2-46	DNM12WKR10-184	10-2
BKPP0052-30	9-44	BKSP0143	9-33	CKAFS 24X48	2-46	DNM12WKR20-233	10-2
BKPP0052-30	9-44	BKSP0143	9-33	CKAFS 24X53	2-46	DNM12WKR20-233	10-2
BKPP0052-30	9-44	BKSP0143	9-33	CKAFS 24X250	2-46	DNM16WHR50-L/R	10-1
BKPP0052-30	9-44	BKSP0143	9-33	CKAFS 48X8	2-46	DNM16WKL10-196	10-2
BKPP0052-30	9-44	BKSP0143	9-33	CKAFS 48X48	2-46	DNM16WKL10-205	10-2
BKPP0052-30	9-44	BKSP0143	9-33	CKAFS 48X53	2-46	DNM16WKL10-227	10-2
BKPP0052-30	9-44	BKSP0143	9-33	CKBES385X96X53	2-46	DNM16WKL10-231	10-2
BKPP0052-30	9-44	BKSP0143	9-33	CKBES385X96X100	2-46	DNM16WKL10-236	10-2
BKPP0052-30	9-44	BKSP0143	9-33	CKBES485X12X53	2-46	DNM16WKL10-264	10-2
BKPP0052-30	9-44	BKSP0143	9-33	CKBES2508T1WX30	3-11	DNM16WKL20-175	10-2
BKPP0052-30	9-44	BKSP0143	9-33	CKBES2508T1WX48+	3-11	DNM16WKL20-205	10-2
BKPP0052-30	9-44	BKSP0143	9-33	CKBES2508T1WX53+	3-11	DNM16WKL20-227	10-2
BKPP0052-30	9-44	BKSP0143	9-33	CKETR 102X53	3-11	DNM16WKL20-231	10-2
BKPP0052-30	9-44	BKSP0143	9-33	CKFAS 48X9	2-46	DNM16WKL20-236	10-2
BKPP0052-30	9-44	BKSP0143	9-33	CKR50-SNPTCHKIT	3-12	DNM16WKL20-264	10-2
BKPP0052-30	9-44	BKSP0143	9-33	CKTFIX	3-12	DNM16WKR10-196	10-2
BKPP0052-30	9-44	BKSP0143	9-33	CON7555	9-24	DNM16WKR10-205	10-2
BKPP0052-30	9-44	BKSP0143	9-33	CON8050	9-24	DNM16WKR10-227	10-2
BKPP0052-30	9-44	BKSP0143	9-33	CON8204	9-24	DNM16WKR10-231	10-2
BKPP0052-30	9-44	BKSP0143	9-33	CON8709	9-24	DNM16WKR10-236	10-2
BKPP0052-30	9-44	BKSP0143	9-33	CON8713	9-24	DNM16WKR10-264	10-2
BKPP0052-30	9-44	BKSP0143	9-33	CON8729	9-24	DNM16WKR20-175	10-2
BKPP0052-30	9-44	BKSP0143	9-33	CON8755	9-24	DNM16WKR20-205	10-2
BKPP0052-30	9-44	BKSP0143	9-33	CON8944	9-24	DNM16WKR20-227	10-2
BKPP0052-30	9-44	BKSP0143	9-33	CON9039	9-24	DNM16WKR20-231	10-2
BKPP0052-30	9-44	BKSP0143	9-33	CON9082	9-24	DNM16WKR20-236	10-2
BKPP0052-30	9-44	BKSP0143	9-33	CON9101	9-24	DNM16WKR20-242	10-2
BKPP0052-30	9-44	BKSP0143	9-33			DNP16WKL30-164	10-2



Part Number	Page(s)	Part Number	Page(s)	Part Number	Page(s)	Part Number	Page(s)
DNP16WKL30-214	10-2	FE021-00050	5-42	FRU#STK20511	3-3	FW BKSLOA1445-01	9-47
DNR16WKL21-243	10-2	FE021-00051	5-42	FRU#STK020522	2-24	FW BKSLOA1445-02	9-47
DOR-1208829	2-24	FE021-00052	5-42	FRU#STK21038-47	2-4	GB563	10-3
DOR-1209108	3-2	FE021-00053	5-42	FRU#STK21038-52	2-4	GB567	10-3
DOR-1210513	2-24	FE022-00577	5-42	FRU#STK30237-109	2-24	GB572	10-3
DOR-2511068	2-4	FE022-01022	5-41	FRU#WCC8010-2FW	2-38	GB580	10-3
DOR-2511068-558	2-4	FE023-00492	5-47	FRU#WCC8051-SPA	1-11	GB582	10-3
DOR-2511074-558	2-11	FE024-02500	5-41	FRU#WCC8051-SPN	1-11	GB592A	10-3
DOR-2511202	2-11	FE024-02501	5-41	FRU#WCC8051-SPW	1-12	GB593	10-3
DOR-2511203	2-4	FE025-10100	5-44	FRU#WCD1971-6	1-23	GB594A	10-3
DOR-2511208-348	2-11	FE025-10101	5-46	FRU#WCD-3596-11	1-23	GB598A	10-3
DOR-2511230-568	2-4	FE025-10102	5-46	FRU#WCE007812001	5-22	GB653	10-3
DOR-2511232-348	2-18	FE025-10311	5-47	FRU#WCF3721-1	1-33	GB663	10-3
DOR-2709311	2-24	FE025-60407	5-40	FRU#WCF3959-1	1-33	GB665A	10-3
DOR-2810093	5-14	FE025-60409	5-40	FRU#WCF5519	2-38	GB752	10-3
DOR-2810919	5-14	FE031-00104	14-6	FRU#WCF5903-901	1-33	GB756A	10-3
DOR-4101481	5-14	FE031-00105	14-6	FRU#WCF9003-2	1-33	GB3720	10-3
DOR-4101482	5-14	FE031-00123	14-6	FRU#WCF9212-900W	1-12	GB3782	10-3
DOR-5609022	5-14	FE031-00125	14-6	FRU#WCF-9230-1	1-23	GB28622	10-3
DOR-45248614	5-22	FE031-00133	14-6	FS5505	9-25	GB28682	10-3
DOR-121069907	3-2	FE031-00135	14-6	FS6803	9-25	GB39520	10-3
DOR-251047902	1-33	FE031-00234	14-8	FS6890	9-25	GB39590	10-3
DOR-251122102	1-33	FE031-00235	14-8	FS6902	9-25	GB45220	10-3
DOR-251128702	1-33	FE031-00400	14-8	FS6905	9-25	GB45280	10-3
DOR-1207863092	3-2	FE031-00402	14-8	FS7135	9-25	GB47620	10-3
DOR-1208898099	3-2	FE031-00406	14-8	FS7136	9-25	GB47686	10-3
DOR-FA30382	1-11	FE031 00636	14-5	FS7140	9-25	GBH715311	10-3
DOR-FA30783	1-11	FE033-00076	14-7	FS7400	9-25	GBH715345	10-3
DOR-FA3068267	1-11	FE033-00079	14-7	FS7403	9-25	GBHH506310	10-3
DOR-FB30382	1-11	FE033-00270	14-7	FS7405	9-25	GBHM212011	10-3
DOR-FR30382	1-11	FE033-00864	14-7	FS7410	9-25	GBHM212047	10-3
DOR-FR30781	1-11	FE033-00865	14-7	FS7424	9-25	GBHM212049	10-3
DOR-FR2804118	1-11	FE033-00868	14-7	FS7798	9-25	GBHM218210	10-3
DOR-FR2898301	1-11	FE033-00870	14-7	FS8050	9-25	GBHM218248	10-3
DOR-SD-36-919-13	2-37	FE033-08001 - AEROFLAP	14-5	FS8204	9-25	GBHM518410	10-3
DOR-SD-38-503-24	2-37	FE033-08002 - AEROFLAP	14-5	FS8708	9-25	GBHMS18445	10-3
DOR-SG-38-503-24	2-37	FE033-08004 - AEROFLAP	14-5	FS8709	9-25	GD#4-09864-09940	2-5
DOR-SW-38-503-24	2-37	FE981-00055	14-4	FS8746	9-25	GD#4-14046-09940	2-12
DP05048120PW/GV	5-1	FE981-00159	14-4	FS8755	9-25	GD#4-23854-09932	2-12
DP07548110PW/GV	5-1	FE982-00046	6-6	FS8803	9-25	GD# 64HATPOST	2-24
DP07548120PW/AL	5-1	FE983-00135	6-6	FS8944	9-25	GD#136-46	7-2
DP07548120PW/GV	5-1	FOAM 4004517100	14-12	FS8949	9-25	GD#136-47	7-2
DP07548120SS/GV	5-1	FOAM 4004520200	14-12	FS9039	9-25	GD#00300	2-24
DP10048110PW/GV	5-1	FOAM 4004520600	14-12	FS9069	9-25	GD#00400	2-24
DP12548110PW/GV	5-1	FOAM 4004529930	14-12	FS9082	9-25	GD#00600	1-12
EB960-2P12	15-6	FOAM 4004529940	14-12	FS9083	9-25	GD#08014	1-12
EB6606-50	5-42	FOAM 4505100080	14-12	FS9098	9-25	GD#08138	5-16
ETSCUF 3/8" 52BL	2-46	FRU#586930	5-42	FS9101	9-25	GD#08206	5-16
ETSCUF 5/8" 53WT	2-46	FRU#BCF4678	5-15	FS9105	9-25	GD#08581	3-3
ETSCUFF 12X28	2-46	FRU#BCF4678-1	5-15	FS9121	9-25	GD#08670	1-12
ETSCUFF 12X53	2-46	FRU#DBA00158300	5-15	FS9122	9-25	GD#08670-41	1-12
ETSCUFF 18X48WT	2-46	FRU#DCA-02-42	5-15	FS9177	9-25	GD#09416	1-12
ETSCUFF 18X52BL	2-46	FRU#DCD-0292-1	5-48	FS9192	9-25	GD#09432	1-31
ETSCUFF 18X53WT	2-46	FRU#DCE-8681-1	5-15	FS9213	9-25	GD#09432-P	1-31
ETSCUFF Z BLK	2-46	FRU#DCF-00451	5-16	FS9264	9-25	GD#11297	2-38
ETSCUFF Z WHT	2-46	FRU#DCF-3980-1	5-16	FS9265	9-25	GD#11298	2-38
FE012-00003	7-8	FRU#DXA-000682	5-48	FS9270	9-25	GD#11299	2-38
FE013-00073	7-7	FRU#DXA-000686	5-48	FS9291	9-12, 9-25	GD#11300	2-38
FE013-00141	7-7	FRU#DXA-0687	5-16	FS9293	9-12, 9-15, 9-25	GD#11301	2-39
FE013-00174	7-8	FRU#DXA-000696	5-48	FS9294	9-12, 9-25	GD#11302	2-39
FE013-00240	7-7	FRU#FCF001671001	7-2	FS9295	9-12, 9-15, 9-25	GD#11304	2-39
FE013-00426	7-8	FRU#RCC-8431-3	3-2	FS9304	9-11, 9-25	GD#11305	2-39
FE013-00427	7-8	FRU#RCE-0169-1	3-3	FS9362	9-11, 9-25	GD#11312	2-40
FE013-00436	7-8	FRU#RCF-3718-1	3-3	FS9365	9-25	GD#11313	2-40
FE013-00437	7-8	FRU#RCF-4048-1	3-3	FS9366	9-25	GD#14048	1-13
FE013-00991	7-8	FRU#RCF-4335-4	3-3	FS9422	9-25	GD#14113	3-3
FE013-00992	7-8	FRU#RCF-8426-1	3-3	FS9463	9-11, 9-25	GD#15152	5-16
FE013-00993	7-8	FRU#RCF-8426-2	3-3	FS9626	9-25	GD#18380	3-3
FE013-01192	7-7	FRU#RCF-8426-3	3-3	FS9921	9-25	GD#44573	5-22
FE021-00043	5-42	FRU#STK13961-47	14-10	FS9923	9-25	GD#45064	5-48



Part Number	Page(s)	Part Number	Page(s)	Part Number	Page(s)	Part Number	Page(s)
GD#45985	5-4	GF83302	9-1	H841-00	9-43	H11485-15	9-27
GD#47563	5-17	GF83303	9-1	H7016-01	9-29	H11485-17	9-27
GD#70262	2-25	GF83304	9-1	H7040-11	9-26, 9-29, 9-31	H11625-01	9-35
GD#76340	1-34	GF83308	9-1	H7052-02	9-29, 9-31	H11642-05	9-27
GD#95573	5-4	GF83309	9-1	H7701-01	9-29, 9-31	H11642-10	9-27
GD#95583	5-4	GF83312	9-1	H7701-02	9-31	H11642-12	9-27
GD#95586	5-4	GF83314	9-1	H7701-03	9-31	H12713-14	9-27
GD#95587	5-4	GF83317	9-1	H7701-04	9-31	H12713-15	9-27
GD#3190100	5-22	GF83318	9-1	H7701-05	9-29, 9-31	H12713-31	9-27
GD#31800904	5-17	GF83353	9-1	H7701-06	9-29, 9-31	H12713-39	9-27
GD#31801018	5-17	GF83362	9-1	H7701-07	9-29, 9-31	H12713-40	9-27
GD#40701201	1-7	GF83400	9-1	H7701-08	9-29, 9-31	H12715-01	9-37, 9-39
GD#40701227	1-7	GF83401	9-1	H7702-01	9-29	H12716-01	9-2, 9-3, 9-6, 9-37, 9-39
GD#40803901	1-13	GF85000	9-1	H7702-02	9-29	H12779-01	9-2, 9-3, 9-6, 9-35, 9-37, 9-39, 9-41
GD#40900411	2-25	GF85001	9-1	H7702-03	9-29	H12780-01	9-37, 9-39, 9-41
GD#40900610	2-25	GF85003	9-1	H7702-04	9-29	H12781-01	9-37, 9-41
GD#40910400	2-25	GF85005	9-1	H7702-05	9-29	H12781-07	9-39
GD#41200891	1-34	GF85006	9-1, 9-17, 9-19	H7702-06	9-29, 9-31	H12785-01	9-37, 9-39
GD#41201967	1-34	GF85009	9-1	H7703-01	9-29, 9-31	H16006-01	9-35
GD#41203002	3-4	GF85026	9-1	H7703-03	9-31	H16014-14	9-34
GD#41203006	3-4	GF85029	9-1	H7703-04	9-31	H16014-17	9-34
GD#41203008	3-4	GF85300	9-1	H7703-05	9-29, 9-31	H16014-14	9-34
GD#41203162	1-34	GF85301	9-1	H7703-06	9-29, 9-31	H16150-01	9-31
GD#41203162	1-34	GF85301	9-1	H7703-07	9-29, 9-31	H16158-01	9-31
GD#41203163	1-34	GF85302	9-1	H7703-08	9-29, 9-31	H16169-01	9-31
GD#41203178	1-34	GF85303	9-1	H7717-01	9-31	H16171-01	9-31
GD#41203196	1-34	GF85304	9-1	H8010-14	9-35, 9-37, 9-39, 9-41, 9-43	H16175-01	9-31
GD#41700304	4-6	GF85305	9-1	H8010-50	9-4	H16178-01	9-31
GD#42500813	5-17	GF85307	9-1	H8010-52	9-35	H16179-01	9-31
GD#43000001	1-34	GF85310	9-1	H8016-00	9-35	H16196-03	9-31
GD#60304401	2-11	GF85311	9-1	H8018-01	9-37	H16197-03	9-31
GD#60304402	2-11	GF85315	9-1	H8018-02	9-4, 9-35, 9-39, 9-41, 9-43	H16199-05	9-31
GD#60304406	2-11	GF85318	9-1	H8026-00	9-3, 9-35, 9-37, 9-39, 9-41, 9-43	H16239-02	9-31
GD#60307101	2-5	GF85700	9-1	H8028-00	9-4, 9-35, 9-37, 9-39, 9-41, 9-43	H16293-01	9-31
GD#60308901	2-5	GF85702	9-1	H8040-00	9-35, 9-37, 9-39, 9-41, 9-43	H16319-01	9-31
GD#60308901-327	2-5	GF85703	9-1	H8054-00	9-35, 9-37, 9-39	H16319-02	9-31
GD#60309001	2-11	GF85704	9-1	H8098-01	9-35	H16319-04	9-31
GD#60309001-3246	2-11	GF85705	9-1	H9276-00	9-35	H16319-07	9-31
GD#60311601	1-34	GF85709	9-1	H9627-00	9-35, 9-37, 9-39, 9-41, 9-43	H16319-08	9-31
GD#60311701	2-11	GF85711	9-1	H9700-MAC	9-30	H16319-51	9-31
GD#60312306	2-5	GF87001	9-1	H9700-SU	9-30	H16319-52	9-31
GD#60314403	2-19	GF89422	9-1	H9700-TS	9-30	H16319-57	9-31
GD#60315409	2-5	H32-00	9-35	H9700-TU	9-30	H16319-58	9-31
GD#60402901	5-4	H33-01	9-35, 9-37, 9-39, 9-41, 9-43	H10287-01	9-28	H16353-01	9-30
GD#60403001	5-4	H34-04	9-29, 9-31	H10562-00	9-29, 9-31	H16398-04	9-29, 9-31
GD#60409004	2-25	H35-00	9-29, 9-31	H11154-00	9-31	H16481-01	9-31
GD#60424104	1-25	H37-03	9-29, 9-31	H11409-01	9-3, 9-4, 9-41, 9-43	H16483-01	9-31
GD#69102183	1-3	H38-00	9-43	H11410-00	9-35	H16621-01	9-38
GD#69102520	1-13	H177-00	9-43	H11411-00	9-35	H16621-03	9-38
GD#69102520-015	1-13	H405-01	9-35	H11412-01	9-35, 9-39	H16868-01	9-29, 9-31
GD#69102526	3-4	H405-36	9-35	H11412-02	9-35, 9-37	H16987-01	9-38
GD#69102998	2-25	H405-37	9-37	H11412-03	9-35	H16987-03	9-38
GD#69103003	2-25	H702-01	9-31	H11412-04	9-35	H17690-01	9-40
GD#69103212	1-35	H710-00	9-29, 9-31	H11412-06	9-35	H17708-01	9-40
GD#69104357	2-25	H712-01	9-31	H11412-07	9-35	H17916-01	9-40
GD#69201602	3-4	H712-05	9-31	H11412-13	9-39	H17919-01	9-37, 9-41, 9-43
GD#69104743002	1-13	H712-06	9-31	H11412-16	9-3, 9-37, 9-41	H18010-01 (for 2001)	9-43
GD#69105418001	1-13	H712-09	9-31	H11412-31	9-41	H18064-01	9-41, 9-43
GD#0832768701788	2-40	H712-10	9-31	H11412-32	9-41	H18150-05	9-34
GF83201	9-1	H712-11	9-31	H11414-00	9-35	H18150-07	9-34
GF83202	9-1	H712-12	9-31	H11420-00	9-35	H18150-19	9-27, 9-34
GF83203	9-1	H715-00	9-29, 9-31	H11421-01	9-3, 9-35, 9-37, 9-39, 9-41, 9-43	H18426-01	9-41
GF83204	9-1	H718-00	9-43	H11456-00	9-43	H18723-01	9-31
GF83207	9-1	H719-02	9-29, 9-31	H11479-00	9-43	H18797-01 (for 2011)	9-43
GF83209	9-1	H722-00	9-29, 9-31	H11485-11	9-27	H19033-01	9-43
GF83215	9-1	H729-00	9-29	H11485-12	9-27	H19033-03	9-43
GF83216	9-1	H750-03	9-29	H11485-14	9-27	H19141-01	9-43
GF83219	9-1	H756-00	9-29, 9-31			H19142-00	9-43
GF83221	9-1	H759-00	9-29, 9-31			H19211-01	9-43
GF83225	9-1	H817-00	9-43			H19224-01	9-4
GF83242	9-1	H837-00	9-31				



Part Number	Page(s)	Part Number	Page(s)	Part Number	Page(s)	Part Number	Page(s)
H19234-01	9-43	HHXA-0298	7-29	HHXA-V-1912-2	7-23	HHXB-GP-38-1-12E	7-25
H19237-01	9-43	HHXA-0306-1	7-29, 7-31	HHXA-V-1913	7-23, 7-29	HHXB-GP-38-1-14A	7-29
H19237-02	9-43	HHXA-01763-2	7-28, 7-30	HHXA-V-1914	7-23, 7-25, 7-29, 7-31	HHXB-GP-38-2-E	7-31
H19243-01	9-43	HHXA-01764-1	7-28, 7-30	HHXA-V-1916	7-23, 7-25	HHXB-GP-38-138-5	7-23, 7-25
H19243-03	9-43	HHXA-01765-1	7-28, 7-30	HHXA-V-1916-1	7-23, 7-25	HHXB-H-32-2	7-23
H19244-01	9-43	HHXA-01774	7-29, 7-31	HHXA-V-1920	7-23	HHXB-H-36	7-23
H19282-01	9-43	HHXA-01787-2	7-28, 7-30	HHXA-V-1927	7-23	HHXB-H-332	7-23
H19299-03	9-4	HHXA-01787-3	7-28, 7-30	HHXA-V-1928	7-23	HHXB-LG0544	7-31
H19300-03	9-4	HHXA-01792	7-29, 7-31	HHXA-V-1928-1	7-23	HHXB-LG1570	7-25
H19360-01	9-29, 9-30	HHXA-01918	7-29, 7-31	HHXA-V-1929	7-23	HHXB-MSR-316C500	7-23
H19360-02	9-29, 9-30	HHXA-01918-1	7-29, 7-31	HHXA-V-1938	7-23, 7-25	HHXB-PW-1916-218	7-31
H19360-03	9-29, 9-30	HHXA-01966-1	7-28, 7-30	HHXA-V-1957	7-23	HHXB-SPG-020-02	7-24
H19360-04	9-29, 9-30	HHXA-01967-1	7-28, 7-30	HHXA-V-1962	7-23	HHXB-T-45-1	7-29, 7-31
H19360-05	9-29, 9-30	HHXA-01970-1	7-28, 7-30	HHXA-V-1966-2	7-23	HHXB-V-444-1	7-23, 7-25, 7-29, 7-31
H19360-06	9-29, 9-30	HHXA-01971-1	7-28, 7-30	HHXA-V-05159A	7-23	HHXB-V-643-A2	7-23
H19360-07	9-29, 9-30	HHXA-01972-2	7-28, 7-30	HHXA-V-06600	7-25	HHXB-V-647	7-23, 7-25, 7-29
H19360-08	9-29, 9-30	HHXA-01976-1	7-28, 7-30	HHXA-V-06601	7-25	HHXB-V-647-2	7-31
H19360-09	9-29, 9-30	HHXA-01976-4	7-28, 7-30	HHXA-V-06602	7-24	HHXB-V-747	7-23, 7-25, 7-29
H19364-01	9-29, 9-30	HHXA-02059	7-29	HHXA-V-06603	7-24	HHXB-V-851	7-23
H19364-02	9-29, 9-30	HHXA-02195	7-29, 7-31	HHXA-V-06604-1	7-24	HHXB-V-1915	7-23, 7-25, 7-29, 7-31
H19364-03	9-29, 9-30	HHXA-02197	7-29, 7-31	HHXA-V-06606	7-24	HHXB-V-1926	7-23
H19364-04	9-29, 9-30	HHXA-02198-1	7-29, 7-31	HHXA-V-06611	7-25	HHXB-V-1949	7-23
H19364-05	9-29, 9-30	HHXA-02198-2	7-29, 7-31	HHXA-V-06618	7-24	HHXB-V-06621	7-24
H19364-06	9-29, 9-30	HHXA-02654-1	7-28, 7-30	HHXA-V-06623-A	7-25	HHXB-V-06630	7-25
H19364-07	9-29, 9-30	HHXA-02660-1	7-28, 7-30	HHXA-V-06624-A	7-24	HHXB-V-06632	7-25
H19364-08	9-29, 9-30	HHXA-02662-1	7-28, 7-30	HHXA-V-06625-A	7-24	HHXB-V-07054	7-23, 7-25
H19364-09	9-29, 9-30	HHXA-02689	7-29, 7-31	HHXA-V-06628-000-0 thru -505-0	7-25	HKP-AAR-5-C	14-1
H19365-01	9-29, 9-30	HHXA-02691	7-29, 7-31	HHXA-V-06628-010-1 thru -515-1	7-25	HSB354-00	9-26, 9-33
H19365-02	9-29, 9-30	HHXA-02709	7-29, 7-31	HHXA-V-06628-020-2 thru -514-2	7-25	HSB355-00	9-26, 9-33
H19365-03	9-29, 9-30	HHXA-03337	7-29, 7-31	HHXA-V-06629	7-25	HSB356-00	9-26, 9-33
H19365-04	9-29, 9-30	HHXA-03921-1	7-29	HHXA-V-07085	7-24	HSB360-00	9-26, 9-33
H19365-05	9-29, 9-30	HHXA-04170-1	7-29, 7-31	HHXA-V-07132-0 thru -5	7-25	HSB363-00	9-26, 9-33
H19365-06	9-29, 9-30	HHXA-04170-2	7-29, 7-31	HHXA-V-07133-0 thru -5	7-25	HSB365-00	9-26, 9-33
H19365-07	9-29, 9-30	HHXA-04171-1	7-29, 7-31	HHXA-V-07601-1	7-25	HSB365-01	9-26, 9-33
H19365-08	9-29, 9-30	HHXA-04171-2	7-29, 7-31	HHXA-V-07601-2	7-25	HSTRA-693	9-26
H19365-09	9-29, 9-30	HHXA-04681	7-25, 7-29, 7-31	HHXB-21S187-1000	7-29, 7-31	HSTRA-697	9-26
H19515-01	9-40	HHXA-04745-1	7-28, 7-30	HHXB-21-S-187-1250	7-23	HSTRA-699	9-26
H20289-01	9-2, 9-3, 9-6, 9-41	HHXA-04745-2	7-28, 7-30	HHXB-21-S-218-1500	7-24	HSTRA-1492	9-26
H20324-01	9-40	HHXA-06224-A	7-31	HHXB-21S-3753000	7-23, 7-25, 7-29	HTA-1631-19	9-21
H20324-03	9-40	HHXA-CRP-V-1917	7-23	HHXB-0140	7-23	HTA1631-19	9-22
H20728-01	9-29	HHXA-CRP-V-06633	7-24	HHXB-0307-PM	7-29, 7-31	HTA20032	9-22
H20729-01	9-29	HHXA-CRP-V-06634	7-24	HHXB-0308-PM	7-29, 7-31	HTB20035	9-21, 9-23
H20730-01	9-29	HHXA-CRP-V-06635	7-25	HHXB-338	7-23, 7-25, 7-29, 7-31	HTB20701	9-22
H20732-01	9-29, 9-31	HHXA-H-38	7-29	HHXB-767	7-23, 7-25, 7-31	HTC-15027-1	9-21
H20732-02	9-31	HHXA-LG0559	7-25	HHXB-1108	7-23, 7-25, 7-29, 7-31	HTC-15027-2	9-21
H20733-01	9-29	HHXA-LG0570	7-31	HHXB-01744	7-29	HTC15027-2	9-21
H20734-01	9-29	HHXA-LG0880	7-31	HHXB-01744-1	7-31	HTC-15028-1	9-21
H22657-01	9-40	HHXA-S8-2A001	7-22	HHXB-01762	7-29	HTC15028-2	9-21
H22657-03	9-40	HHXA-S8-2A113	7-22	HHXB-01789	7-25, 7-29, 7-31	HTC20005-1	9-23
H71024-01	9-3	HHXA-S8-3A105	7-22	HHXB-01791	7-29, 7-31	HTC20005-2	9-23
HA 87897	10-6	HHXA-S9-2A001	7-22	HHXB-01977	7-25, 7-29, 7-31	HTC20006-1	9-23
HA 87905	10-6	HHXA-S9-2A113	7-22	HHXB-01987	7-29, 7-31	HTC20006-2	9-23
HA 90541	10-6	HHXA-S9-3A105	7-22	HHXB-02065	7-29, 7-31	HTC20007-1	9-23
HA 90542	10-6	HHXA-V25-0 thru -5	7-23	HHXB-02157	7-29, 7-31	HTC20007-2	9-23
HA3018501	10-12	HHXA-V50-0 thru -5	7-23	HHXB-3103	7-23, 7-25, 7-29, 7-31	HTC20008-1	9-23
HA3018503	10-12	HHXA-V60-A-0 thru -5	7-23	HHXB-03370-1	7-29, 7-31	HTC20008-2	9-23
HHJS-300-B6S	7-8	HHXA-V63-A-0 thru -5	7-23	HHXB-03372	7-29	HTC20011-1	9-21, 9-23
HHKP-T-5-C	14-1	HHXA-V-90-0	7-8, 7-23, 7-25	HHXB-04112	7-29, 7-31	HTC20011-2	9-21, 9-23
HHKP-T-809BF	14-1	HHXA-V-90-2	7-23, 7-25	HHXB-04113	7-29	HTC20012-1	9-21
HHKP-T-809CF	14-1	HHXA-V-630-2	7-23, 7-25	HHXB-04133	7-31	HTC20012-2	9-21
HHKP-T-809F	14-1	HHXA-V-796-B-1	7-23, 7-25	HHXB-04676	7-25, 7-29, 7-31	HTC20013-1	9-21, 9-23
HHKP-T-880	14-1	HHXA-V-796-L	7-25	HHXB-06217	7-31	HTC20013-2	9-21, 9-23
HHKP-T-880-C	14-1	HHXA-V-796-WS	7-25	HHXB-06219	7-31	HTC20014-1	9-21, 9-23
HHLG75-2A001	7-22	HHXA-V-971	7-23, 7-25	HHXB-06372	7-24, 7-25	HTC20014-2	9-21, 9-23
HHLG75-2A113	7-22	HHXA-V-1901-1	7-23, 7-25, 7-29, 7-31	HHXB-07618	7-25	HTC20015-1	9-23
HHLG1823-01	7-29	HHXA-V-1901-2	7-23, 7-25, 7-29	HHXB-BAL-023-01	7-24	HTC20015-2	9-23
HHLG2191-01	7-31	HHXA-V-1903-1	7-25	HHXB-C-38-C-214	7-25	HTC-20016-1	9-21
HHLGS-3A105	7-22	HHXA-V-1910	7-23, 7-25, 7-29, 7-31	HHXB-CX14-18F-58	7-29	HTC20016-1	9-21, 9-23
HHRK-V-05801-1	7-23	HHXA-V-1912-1	7-23	HHXB-CX14-28F-58	7-23, 7-31	HTC-20016-2	9-21
HHRK-V-05801-2	7-23			HHXB-FW-25	7-23, 7-29	HTC20016-2	9-21, 9-22, 9-23



Part Number	Page(s)	Part Number	Page(s)	Part Number	Page(s)	Part Number	Page(s)
HTC-20016-3	9-21	HY#1000-4925	2-26	JIA40XL-T-19	7-40	JID10201.1	7-41
HTC20016-3	9-21, 9-23	HY#1000-4926	2-12	JIA40XR-G1-17	7-40	JID10201.2	7-41
HTC20021-1	9-23	HY#1000-4927	2-12	JIA40XR-G-17	7-40	JID10201.3	7-41
HTC20021-2	9-23	HY#1000-5097	2-26	JIA40XR-G-19	7-40	JID10254.1	7-41
HTC20023	9-21, 9-23	HY#1000-5098	1-35	JIA40XR-T1-14	7-40	JID10254.2	7-41
HTC20035	9-21	HY#1000-5678	2-6	JIA40XR-T1-17	7-40	JID10254.3	7-41
HTC20037	9-23	HY#1000-5950	2-26	JIA40XR-T1-19	7-40	JK300	14-2
HTC20040-1	9-23	HY#1000-6153	2-12	JIA40XR-T-17	7-40	JK500	14-2
HTC20040-2	9-23	HY#1000-6251	3-5	JIA40XR-T-19	7-40	K78971661	10-11
HTC20041-1	9-23	HY#1000-6253	2-26	JIA40X-T1-14	7-40	KPEC-53A/BSFK	6-6
HTC20041-2	9-23	HY#1000-7412	1-35	JIA40X-T1-17	7-40	KPEC-1055A/BSFK	6-6
HTC20042-1	9-23	HY#1000-8568	2-12	JIA40X-T1-19	7-40	KPPF100A/B	6-6
HTC20042-2	9-23	HY#1000-8761	2-26	JIA40X-T-17	7-40	KPQP300-QT	6-6
HTC20043-1	9-23	HY#1000-9097	14-10	JIA40X-T-19	7-40	KPSQUEEGEE-18	6-6
HTC20043-2	9-23	HY#1000-9668	5-18	JIA10033	7-41	KW8-30-444-102	7-36
HTC20047-1	9-23	HY#1001-1202	2-27	JIA10037.1	7-41	KW9-10-305-102	7-38
HTC20047-2	9-23	HY#1001-2219	1-4	JIA10037.3	7-41	KW9-30-305-102	7-38
HTC20048-1	9-23	HY#1001-2220	1-4	JIA10038.6	7-41	KW9-30-400-102	7-38
HTC20048-2	9-23	HY#1001-3197	2-27	JIA10038.7	7-41	KW9-30-444-102	7-38
HTC-20069	9-21	HY#1001-3434	1-4	JIA10040	7-41	KW9-53-400-102	7-38
HTC20069	9-22	HY#1001-3435	1-4	JIA10048	7-41	KW18-30-444-102	7-36
HTC-22045	9-20	HY#1001-4978	1-4	JIA10049	7-41	KW19-10-305-102	7-38
HTS2770	9-22	HY#1001-5378	1-4	JIA10052.3	7-41	KW19-30-305-102	7-38
HTS-3646	9-21	HY#1001-5416	1-4	JIA10054.3	7-41	KW19-30-400-102	7-38
HTS3646	9-22	HY#1001-5708	2-12	JIA10054.6	7-41	KW19-30-444-102	7-38
HTS-6412	9-25	HY#1001-5731	2-6	JIA10054.7	7-41	KW19-53-400-102	7-38
HTS-6914	9-21	HY#1001-6167	1-4	JIA10059.1	7-41	KW1051-A1	7-37, 7-39
HTS6914	9-22	HY#1001-6265	1-35	JIA10101	7-41	KW1102-A2	7-37, 7-39
HTS-11613	9-21	HY#2000-0335	1-23	JIA10102	7-41	KW1102-A9	7-37, 7-39
HTS11613	9-22	HY#2000-0492	7-2	JIA10212	7-41	KW1151-B1	7-37, 7-39
HTS-14108	9-20	HY#2000-0735	7-2	JIA10218	7-41	KW1151-B4	7-37, 7-39
HTS-20000-1	9-21	HY#2000-1761	1-13	JIA10230	7-41	KW1151-B17	7-37, 7-39
HTS20000-1	9-22	HY#2000-2753	1-13	JIA10242	7-41	KW1151-B36	7-37, 7-39
HTS-20000-2	9-21	HY#2000-2799	3-5	JIA10249	7-41	KW1151-B81	7-37, 7-39
HTS20000-2	9-22	HY#2000-2893	7-2	JIA10255	7-41	KW1151-B99	7-37, 7-39
HTS-20001	9-21	HY#2000-3024	1-13	JIA10260.1	7-41	KW1351-A1	7-37, 7-39
HTS20002	9-22	HY#2000-3977	5-18	JIA10283	7-41	KW1351-A3	7-37, 7-39
HTS-20010	9-21, 9-24	HY#2000-5584	1-23	JIB10036	7-41	KW1351-A7	7-37, 7-39
HTS20010	9-22	HY#2000-7553	1-14	JIB10066	7-41	KW1401-A4	7-37, 7-39
HTS20023	9-21, 9-23	HY#2000-8135	14-10	JIB10130	7-41	KW1402-A-1	7-37, 7-39
HTS-20031/2	9-21	HY#2000-8138	14-10	JIB10229	7-41	KW1402-A1	7-37, 7-39
HTS20031/2	9-22	HY#2000-8142	14-10	JIB10236	7-41	KW1402-A7	7-37, 7-39
HTS-20032	9-21	HY#2000-8145	14-10	JIB10261	7-41	KW1402-A9	7-37, 7-39
HTS-20033/2	9-21	HY#2000-8663	1-14	JIB10285	7-40	KW1453-A1	7-37, 7-39
HTS20033/2	9-22	HY#2001-0723	1-14	JIC10035	7-41	KW1453-A5	7-37, 7-39
HTS-20127	9-24	HY#2001-3205	1-14	JIC10078	7-41	KW1453-A40	7-37, 7-39
HTS-20700	9-21	HY#2001-4752	1-14	JIC10085	7-41	KW1453-A61	7-37, 7-39
HTS-20701	9-21	HY#2001-6270	1-14	JIC10108	7-41	KW1655-A32	7-37, 7-39
HTS-21800	9-24	HY#2002-6492	1-14	JIC10135	7-41	KW1751-A1	7-37, 7-39
HTS-22045	9-24	HY#2003-2332	1-14	JIC10155	7-41	KW1752-A4	7-37, 7-39
HTS-22948	9-24	HY#9000-2801	3-5	JIC10177	7-41	KW1904-A14	7-37
HX400-10143	10-7	IQ62CA06201S	7-8	JIC10209	7-41	KW1914-A1	7-37, 7-39
HX400-10211	10-7	JI000.004.004	15-1	JIC10217	7-41	KW6364-1	7-37, 7-39
HX400-10212	10-7	JI000.005.003	15-1	JIC10233	7-41	KW6365-1	7-37, 7-39
HX400-10216	10-7	JI905.000.185	15-1	JIC10234	7-41	KW6866	7-37, 7-39
HY#1000-2725	3-5	JI905.000.194	15-1	JIC10256	7-41	KW6883	7-33, 7-35, 7-37, 7-39
HY#1000-2740	2-26	JI905.177.000	15-5	JIC10257	7-41	KW6884	7-33, 7-35, 7-37, 7-39
HY#1000-2741	2-26	JI905.228.001	15-1	JIC10259	7-41	KW6943-3	7-37, 7-39
HY#1000-3146	1-35	JI905.228.004	15-1	JIC10262	7-41	KW6948-1	7-37, 7-39
HY#1000-3453	2-26	JI905.265.100S	15-1	JIC10263	7-41	KW6956-1	7-37, 7-39
HY#1000-3944	3-5	JIA40X-G1-17	7-40	JIC10592.2	7-41	KW6997-0	7-38
HY#1000-3953	3-5	JIA40X-G-17	7-40	JID10116.1	7-41	KW6997-1	7-38
HY#1000-3979	2-6	JIA40X-G-19	7-40	JID10116.2	7-41	KW6997-2	7-38
HY#1000-3986	2-12	JIA40XL-G1-17	7-40	JID10116.3	7-41	KW6997-3	7-38
HY#1000-4167	1-4	JIA40XL-G-17	7-40	JID10140.1	7-41	KW6997-5	7-38
HY#1000-4168	1-4	JIA40XL-G-19	7-40	JID10140.2	7-41	KW8829-17	7-37, 7-39
HY#1000-4293	2-26	JIA40XL-T1-14	7-40	JID10140.3	7-41	KW8897-0	7-38
HY#1000-4707	2-6	JIA40XL-T1-17	7-40	JID10146.1	7-41	KW8897-1	7-38
HY#1000-4711	2-6	JIA40XL-T1-19	7-40	JID10146.2	7-41	KW8897-2	7-38
HY#1000-4717	2-6	JIA40XL-T-17	7-40	JID10146.3	7-41	KW8897-3	7-38



Part Number	Page(s)	Part Number	Page(s)	Part Number	Page(s)	Part Number	Page(s)
KW8897-5	7-38	KW730122	7-33, 7-35	KWLPR 2-50-102-400	7-34	M710400	10-9
KW8984	7-35, 7-37, 7-39	KW730143	7-33, 7-35	KWLPR 2-50-102-444	7-34	M714400	10-9
KW8994	7-37, 7-39	KW730152	7-33, 7-35	KWLPR-2-53-305	7-38	M716400	10-9
KW8999-0	7-38	KW730157	7-33, 7-35	KWLPR-2-53-400	7-38	M719400 W/401253	10-9
KW8999-1	7-38	KW730166	7-33, 7-35	KWLPS-2-30-444	7-36	M725400	10-9
KW8999-2	7-38	KW730215	7-35	KY#2906	5-18	M736400	10-9
KW8999-3	7-38	KW730590	7-33, 7-35	KY#15556-3	1-14	M740400	10-9
KW8999-5	7-38	KW730638	7-33	KY#6616396000	5-18	M745400	10-9
KW9021-1	7-36	KW730640	7-11, 7-33	KY#6616600000	5-18	M746400	10-9
KW9021-3	7-36	KW741158	7-33	LASCO Roof 103W	3-11	M747400	10-9
KW9021-5	7-36	KW742110	7-35	LB81-CLIP	14-3	M749400	10-9
KW9298-1	7-37, 7-39	KW742111	7-33	LB86-8C	14-3	M755400	10-9
KW9298-2	7-37, 7-39	KW742126	7-35	LUF-60113	1-5	M760400	10-9
KW9366-3	7-37, 7-39	KW742139	7-33	LUF-65278	1-5	M761400	10-9
KW9374-1	7-37, 7-39	KW750002	7-33, 7-35	LUF-A60252	1-15	M762400	10-9
KW9375	7-37, 7-39	KW750003	7-33	LUF-A65611	1-15	M763400	10-9
KW9558-0	7-38	KW750005	7-33	LUF-B62046	7-2	M769400	10-9
KW9558-1	7-38	KW750212	7-33, 7-35	LUF-E7072822	3-6	M770400	10-9
KW9558-2	7-38	KW750238	7-33	LUF-E7087414	1-31	M771400	10-9
KW9558-3	7-38	KW750812	7-33, 7-35	M10024	11-10	M772400	10-9
KW9558-5	7-38	KW751173	7-33, 7-35	M10028	11-10	M776400	10-9
KW9645-1	7-36	KW751174	7-33, 7-35	M10035	11-10	M777400	10-9
KW9645-3	7-36	KW751175	7-35	M11000	11-11	M782400	10-9
KW9645-5	7-36	KW751226	7-35	M11001	11-11	M785400	10-9
KW9958-1	7-36	KW751560	7-35	M11440	11-9	M786400	10-9
KW9958-3	7-36	KW751562	7-35	M11441	11-9	M788400	10-9
KW9958-5	7-36	KW751564	7-33	M11450	11-9	M789400	10-9
KW9966-1	7-36	KW751566	7-33	M11451	11-9	M790400	10-9
KW9966-3	7-36	KW751569	7-33	M11461	11-9	M791400	10-9
KW9966-5	7-36	KW751601	7-35	M11462	11-9	MA103600	11-4
KW73005	7-35	KWCMS 2-10-102-316	7-32	M11543	11-13	MANAC#353-239	5-18
KW112003	7-8	KWCMS 2-10-102-400	7-32	M11544	11-13	MANAC#501-300	2-27
KW201031	7-33, 7-35	KWCMS 2-10-102-444	7-32	M11546	11-13	MANAC#501-452	2-27
KW201060	7-33, 7-35	KWCMS 2-30-102-316	7-32	M11600	11-12	MANAC#501-480	2-27
KW201208	7-33, 7-35	KWCMS 2-30-102-400	7-32	M11602	11-12	MANAC#501-4085	1-31
KW201209	7-33, 7-35	KWCMS 2-30-102-444	7-32	M11603	11-12	MANAC#502-407C	3-6
KW201218	7-33, 7-35	KWCMS-2-33-317	7-7, 7-32	M11950	11-11	MANAC#502-420	3-6
KW201226	7-33, 7-35	KWCMS 2-50-102-316	7-32	M11951	11-11	MANAC#567-058	1-15
KW201702	7-33	KWCMS 2-50-102-400	7-32	M11953	11-11	MANAC#567-0581	1-15
KW202403	7-33, 7-35	KWCMS 2-50-102-444	7-32	M11960	11-11	MANAC#579-067	2-40
KW202745	7-33, 7-35	KWJ-27-BX-3	7-37, 7-39	M11961	11-11	MBE23101	12-4
KW203305	7-33, 7-35	KWJ-122-B	7-37, 7-39	M16618	11-13	MBE23102	12-4
KW203514	7-33, 7-35	KWJ-1219	7-37, 7-39	M16624	11-13	MBE23402	12-2
KW203878	7-33, 7-35	KWJ-3237	7-37, 7-39	M16628	11-13	MBE23403	12-4
KW716007	7-33, 7-35	KWJ-3292	7-37, 7-39	M16630	11-13	MBE23602	12-2
KW716008	7-33, 7-35	KWJ-4154	7-39	M16632	11-13	MBE23603	12-4
KW716059	7-7, 7-32	KWJ-4514-3	7-37, 7-39	M16636	11-13	MBE23703	12-2
KW721009	7-33, 7-35	KWJ-4702	7-37, 7-39	M16640	11-13	MBE23783	12-4
KW722000	7-33, 7-35	KWJ-4890	7-37	M16642	11-13	MBE23784	12-4
KW722017	7-33, 7-35	KWJ-4928-1	7-37, 7-39	M16648	11-13	MBE27031	12-1
KW724010	7-33, 7-35	KWJ-5309	7-33, 7-35, 7-37, 7-39	M18200	11-8	MBE27039	12-1
KW724036	7-35	KWJ-5310-1	7-37, 7-39	M18240	11-8	MBE28414	12-1
KW724037	7-33	KWJ-5311-1	7-37, 7-39	M18300	11-8	MBE28614	12-1
KW725001	7-33, 7-35	KWJ-5312-1	7-37, 7-39	M19100	11-8	MBE28712	12-1
KW725002	7-33, 7-35	KWJ-5313	7-37, 7-39	M19102	11-8	MBE28714	12-1
KW725003	7-33, 7-35	KWJ-5321	7-37, 7-39	M22010	12-4	MG3230008X	11-8
KW725046	7-33, 7-35	KWJ-7043-A-B	7-33, 7-35, 7-37, 7-39	M22020	12-4	MG3230051X	11-8
KW727000	7-33, 7-35			M22040	12-4	MG3430008X	11-8
KW727001	7-33, 7-35	KWJ-7153	7-37, 7-39	M22315	12-4	MG3430051X	11-8
KW727002	7-33, 7-35	KWJ-7324	7-37, 7-39	M22330	12-4	MG3430355	11-8
KW728000	7-33, 7-35	KWLPR 2-10-102-305	7-34	M24000	12-2	MGC3030CS	11-8
KW728003	7-11, 7-33	KWLPR 2-10-102-400	7-34	M24001	12-2	MGP2424L	11-8
KW729002	7-33, 7-35	KWLPR 2-10-102-444	7-34	M24020	12-2	MGP3030	11-8
KW729005	7-33, 7-35	KWLPR 2-30-102-305	7-34	M24030	12-2	MGP3030KP40	11-8
KW729016	7-35	KWLPR 2-30-102-400	7-34	M24100	12-2, 12-3	MKN26010	11-4
KW730005	7-35	KWLPR 2-30-102-444	7-34	M24120	12-2	MKN26020	11-4
KW730007	7-33, 7-35	KWLPR-2-30-305	7-38	M705400	10-9	MKN28060	11-5
KW730011	7-33, 7-35	KWLPR-2-30-400	7-38	M706400	10-9	MKN28071	11-5
KW730092	7-33, 7-35	KWLPR-2-30-444	7-38	M708400	10-9	MKN28131	11-5
KW730113	7-33, 7-35	KWLPR 2-50-102-305	7-34	M709400	10-9	MKN28132	11-5



Part Number	Page(s)	Part Number	Page(s)	Part Number	Page(s)	Part Number	Page(s)
MKN28140	11-5	MP65-CGRAY	14-5	MRHB-1156-6-3	5-12, 5-41	NH1Q22-131N000Y0	9-7
MKN28500	11-5	MP65-H ALUM	3-12	MRHB-1156-6-SS	5-12	NH1Q22-132N000Y0	9-7
MKN28510	11-5	MP73A-ALUM	14-5	MRHP-1054-9	5-22	NH1Q22-141N000Y0	9-7
MKN28520	11-5	MP73A-BLACK	14-5	MRHP-1054-12	5-22, 5-41	NH1Q22-142N000Y0	9-7
MKN28600	11-4	MP73A-CLEAR	14-5	MRHVSH-HWLH	5-9	NL1Q12-111N000Y0	9-7
MKN28601	11-4	MP73A-WHITE	14-5	MRHVSH-HWRH	5-9	NL1Q12-112N000Y0	9-7
MKN30200	11-4	MP75AM	14-5	MRHW-1054-8	5-22	NL1Q12-121N000Y0	9-7
MKN30300	11-4	MP75-AMGRAY	3-12, 14-5	MRMC1166	5-11	NL1Q12-122N000Y0	9-7
MKN30400	11-4	MP75-AMWHITE	14-5	MRN21V	11-8	NL1Q12-131N000Y0	9-7
MKN32005	11-4	MP501-AGRAY	14-5	MRN21X	11-8	NL1Q12-132N000Y0	9-7
MKN32011	11-4	MP501-AWHITE	14-5	MRP41923	5-11	NL1Q12-141N000Y0	9-7
MKN36470	11-8	MP1858	3-11, 14-5	MRP41933	5-11	NL1Q12-142N000Y0	9-7
MKN44041	10-7	MR1064	5-7, 5-8	MRP41943	5-11	NL1Q22-111N000Y0	9-7
MKN44051	10-7	MR2091	5-7	MRP41953	5-11	NL1Q22-112N000Y0	9-7
MKN44061	10-7	MR2092	5-7	MR P50005A	5-10	NL1Q22-121N000Y0	9-7
MKN47001	10-7	MR2497	5-9	MR P50305 LH KIT	5-10	NL1Q22-122N000Y0	9-7
MKN47011	10-7	MR2498	5-9	MR P50315 RH KIT	5-10	NL1Q22-131N000Y0	9-7
MKN48031	10-7	MR4003	5-7	MR P50325A	5-10	NL1Q22-132N000Y0	9-7
MON-AA100140	2-13	MR4004	5-7	MR P50335A	5-10	NL1Q22-141N000Y0	9-7
MON-AA100170	2-13	MR4005	5-7, 5-8, 5-9, 5-10	MR P50365A	5-10, 14-12	NL1Q22-142N000Y0	9-7
MON-AA100290	2-13	MR4006	5-7, 5-8, 5-9, 5-10	MR P50425A	5-10	NT1Q12-111N000Y0	9-7
MON-AB039418	2-6	MR4007	5-7	MR P50575 LH KIT	5-10	NT1Q12-112N000Y0	9-7
MON-AI004544	1-25	MR4009	5-8	MR P50585 RH KIT	5-10	NT1Q12-121N000Y0	9-7
MON-AI015486	3-6	MR4011	5-7, 5-8, 5-9, 5-10	MR P50815 LH KIT	5-10	NT1Q12-122N000Y0	9-7
MON-AI040784	1-25	MR4012	5-7, 5-8, 5-9, 5-10	MR P50825 RH KIT	5-10	NT1Q12-131N000Y0	9-7
MON-AI041400-0-P	2-27	MR4041	5-9	MR P50915 LH KIT	5-10	NT1Q12-132N000Y0	9-7
MON-AI042138	1-5	MR4042	5-7, 5-8, 5-9, 5-10	MR P50925 RH KIT	5-10	NT1Q12-141N000Y0	9-7
MON-AX038496	2-27	MR4043	5-7, 5-8	MR P50935 LH KIT	5-10	NT1Q12-142N000Y0	9-7
MON-AX040364	3-6	MR4044	5-7, 5-8	MR P50945 RH KIT	5-10	NT1Q22-111N000Y0	9-7
MON-AX042110-099	3-6	MR4049	5-7, 5-8, 5-9	MR P50995	5-41	NT1Q22-112N000Y0	9-7
MON-AX042641	1-15	MR4064	5-8	MR P107845A	5-12	NT1Q22-121N000Y0	9-7
MON-AX054320	14-10	MR4067	5-8	MR P108835A	5-12, 5-41	NT1Q22-122N000Y0	9-7
MON-AX054340	14-10	MR 4077	5-41	MR P108855A	5-12	NT1Q22-131N000Y0	9-7
MON-AX054343	2-27	MR 4085	5-41	MR P1156061A	5-12, 5-41	NT1Q22-132N000Y0	9-7
MON-AX054344	1-25	MR4090	5-7, 5-8, 5-9, 5-10	MSC20	11-8	NT1Q22-141N000Y0	9-7
MON-AX054345	2-13	MR4103	5-11	MSC24	11-8	NT1Q22-142N000Y0	9-7
MON-AX054359	2-6	MR4105	5-7	MSC30	11-8	NU1Q12-111N000Y0	9-7
MON-AX054376	2-27	MR4106	5-7	MUDFLAP 24x24	14-5	NU1Q12-112N000Y0	9-7
MON-AX054376-115	2-27	MR4107	5-7	MUDFLAP 24x30	14-5	NU1Q12-121N000Y0	9-7
MON-AX054377	2-27	MR4140	5-8, 5-9	MUDFLAP 24x36	14-5	NU1Q12-122N000Y0	9-7
MON-AX054379	2-13	MR4141	5-8, 5-9	MULE BMW-6	14-12	NU1Q12-131N000Y0	9-7
MON-AX054380	2-6	MR4142	5-8, 5-9	MULE DT-1	14-12	NU1Q12-132N000Y0	9-7
MON-EC033530	1-15	MR4146	5-7, 5-8, 5-9, 5-10	MULE PP	14-12	NU1Q12-141N000Y0	9-7
MON-EC033532	1-15	MR4147	5-8	MULE RHC-G	14-12	NU1Q12-142N000Y0	9-7
MON-EC041408-B	1-16	MR4148	5-8	MULE RHC-QT	14-12	NU1Q22-111N000Y0	9-7
MON-ED045011	5-18	MR4153	5-9	MULE SA-1	14-12	NU1Q22-112N000Y0	9-7
MON-ED045011 W/O	5-18	MR4154	5-9	NC6203071	5-4	NU1Q22-121N000Y0	9-7
MON-EDA44974L	5-11	MR4155	5-9	NC6227771	5-4	NU1Q22-122N000Y0	9-7
MON-EDA44974R	5-11	MR4156	5-9	NC6237871	5-4	NU1Q22-131N000Y0	9-7
MON-PC1310	5-18	MR4164	5-11	NC6238871	5-4	NU1Q22-132N000Y0	9-7
MON-V01-107	3-6	MR4165	5-11	NC6246071	5-4	NU1Q22-141N000Y0	9-7
MON-V01-150	2-13	MR4166	5-11	NC6280871	5-4	NU1Q22-142N000Y0	9-7
MON-V02-102F	2-27	MR4207	5-7, 5-8, 5-9, 5-10	NC6292871	5-4	NW481-00-206	9-15
MON-V02-197R	1-5	MR4208	5-7, 5-8, 5-9, 5-10	NC6582771	5-4	NW481-00-225	9-3
MON-V02-198L	1-5	MR4223	5-9	NC CORNER REPLAC	5-1	NW481-00-264	9-15
MON-V04-132	1-16	MR4224	5-10	NC TS ASSY	5-4	NW481-00-291	9-13
MON-V07-109E	3-6	MR4225	5-10	NC TS ASSY 1	5-4	NW481-00-292	9-13
MON-V07-118-B	3-6	MR4226	5-10	NDSC-1	6-5	NW481-00-295	9-2, 9-6, 9-15
MON-V09-189A-RS	7-3	MR4227	5-10	NH1Q12-111N000Y0	9-7	NW481-00-320	9-2
MON-V09-189B-CS	7-3	MR4228	5-10	NH1Q12-112N000Y0	9-7	NW481-00-329	9-2, 9-6
MP4" AFT	14-5	MR4229	5-10	NH1Q12-121N000Y0	9-7	NW481-00-385	9-2
MP4" WTT	14-5	MR4230	5-10	NH1Q12-122N000Y0	9-7	NW481-00-394	9-9
MP6" AFT	14-5	MRBU-1062-4	5-12, 5-41	NH1Q12-131N000Y0	9-7	NW481-00-395	9-5
MP6" WTT	14-5	MRDLBU-HW	5-7	NH1Q12-132N000Y0	9-7	NW481-00-396	9-5
MP30-AALUM	14-5	MRDLNH-HWLH	5-8	NH1Q12-141N000Y0	9-7	NW481-00-406	9-9
MP30-AWHITE	14-5	MRDLNH-HWRH	5-8	NH1Q12-142N000Y0	9-7	NW481-00-449	9-9
MP52-AALUM	14-5	MRH-1060-4	5-12	NH1Q22-111N000Y0	9-7	NW481-00-450	9-9
MP65-AALUM	14-5	MRH-1078-3	5-12	NH1Q22-112N000Y0	9-7	NW508-57-000	9-9, 9-24
MP65-AWHITE	14-5	MRH-1081-3	5-12	NH1Q22-121N000Y0	9-7	NW605-46-163	9-3
MP65-BGRAY	14-5	MRH-1081-5	5-12	NH1Q22-122N000Y0	9-7	NW900-01-215	9-3, 9-15



Part Number	Page(s)	Part Number	Page(s)	Part Number	Page(s)	Part Number	Page(s)
NW900-01-216	9-3, 9-15	NW905-20-828	9-11	NW930-03-597	9-3, 9-9, 9-11, 9-13, 9-15	PINE AE1D1005176	2-13
NW900-08-139	9-11	NW905-20-843	9-14	NW930-03-609	9-15	PINE AE1P0002705	2-13
NW900-08-147	9-11, 9-13, 9-15	NW905-20-846	9-12, 9-14	NW930-03-633	9-3	PINE AE1P0005205	2-13
NW900-08-149	9-3, 9-11, 9-13, 9-15	NW905-20-856	9-14	NW932-01-051	9-3, 9-11, 9-13, 9-15	PINE AE2P0002725	2-7
NW900-08-182	9-13	NW905-20-857	9-14	NW932-01-055	9-11, 9-13, 9-15	PINE AE2P0005210	2-7
NW900-08-185	9-15	NW905-20-858	9-14	NW932-01-070	9-9	PINE AE23000	2-7
NW900-08-186	9-3	NW905-20-859	9-14	NW934-00-136	9-3, 9-9, 9-11, 9-13, 9-15	PINE AE54111	5-19
NW900-08-196	9-15	NW905-21-142	9-12	NW934-00-149	9-3, 9-9, 9-11, 9-13, 9-15	PINE AE333011031	1-26
NW900-08-198	9-3	NW905-21-302	9-5	NW934-00-244	9-3	PINE AE333201030	1-26
NW900-08-247	9-9	NW905-21-304	9-5	NW934-00-367	9-3, 9-15	PINE AE333201031	1-26
NW900-18-445	9-11, 9-13, 9-15	NW905-21-306	9-5	NW934-00-472	9-3	PINE AMEB6465	1-8
NW900-23-001	9-11, 9-12, 9-15	NW905-21-308	9-5	NW934-00-480	9-3	PINE ASB 5106-CS	1-16
NW900-23-002	9-11, 9-12, 9-15	NW905-21-742	9-5, 9-9	NW934-00-492	9-3, 9-9, 9-11, 9-13, 9-15	PINE ASB 5164	1-16
NW900-25-257	9-15	NW905-21-743	9-5, 9-9	NW934-00-500	9-13	PINE ASB 5559	1-16
NW900-25-285	9-2	NW905-31-170	9-10	NW934-00-506	9-3, 9-9, 9-11, 9-13, 9-15	PINE ASB 5950	1-16
NW900-31-182	9-11	NW905-31-171	9-10	NW936-00-072	9-3, 9-9, 9-11, 9-13, 9-15	PINE CC11100	1-5
NW900-33-785	9-15	NW905-31-204	9-13	NW936-00-077	9-3, 9-9, 9-11, 9-13, 9-15	PINE CCB7177	1-5
NW900-34-137	9-3	NW905-31-205	9-13	NW936-00-168	9-13	PINE GB4382L	7-3
NW900-34-145	9-3	NW905-31-339	9-9	NW936-00-553	9-9	PINE GB4382R	7-3
NW900-34-147	9-3	NW905-44-817	9-10	NW50616000	7-11	PINE PILGB1314L	7-3
NW900-34-494	9-3	NW905-44-818	9-10	NW50616001	7-11	PINE PILGB1314R	7-3
NW900-36-177	9-11, 9-13, 9-15	NW905-44-830	9-10	NW50616007	7-11	PINE PILGB1315L	7-3
NW900-36-217	9-3	NW905-44-831	9-10	P03-215-H	7-8	PINE PILGB1315R	7-3
NW900-36-274	9-9	NW905-46-132	9-3, 9-5	P03-215V	7-8	PINE RC14300	3-7
NW900-36-275	9-9	NW905-46-134	9-3, 9-5	P03-221H	7-8	PINE RCB-2629	3-7
NW900-38-413	9-3	NW905-46-136	9-3	P03-221V	7-8	PINE REB-0395	5-19
NW900-44-162	9-3, 9-9, 9-10, 9-15	NW905-46-138	9-3	P04-10-26-41	7-8	PINE SPB0847	2-27
NW900-44-448	9-10	NW905-46-155	9-3	P04-10-42-57	7-8	PM489A	13-3
NW900-44-794	9-15	NW905-46-157	9-3	P04-10-56-72	7-8	PM489R	13-3
NW900-44-977	9-12	NW905-46-158	9-3	P05-300	7-7	PM490A	13-3
NW900-44-978	9-12	NW905-46-160	9-3	P05-310	7-7	PM490R	13-3
NW900-44-979	9-12	NW905-46-161	9-3	P06-345	7-7	PM491A	13-3
NW900-45-040	9-3, 9-15	NW905-46-164	9-3	P06-410	7-7	PM491R	13-3
NW900-45-054	9-3	NW905-46-166	9-3	P06-411	7-7	PP-70-1044	14-4
NW900-45-298	9-9	NW905-46-178	9-3	P06-431	7-7	PP-80-110	14-9
NW900-45-302	9-3	NW905-46-205	9-3	P08-02	5-49	PP-80-115	14-9
NW900-45-491	9-9	NW905-46-207	9-3	P09-02	14-4	PP-1076	5-41
NW900-54-007	9-2, 9-3, 9-6	NW905-46-208	9-3	P10-10	14-2	PP-1077	5-41
NW900-54-811	9-3	NW905-46-210	9-3	P10-1300 S/S	5-41	RCRED	13-4
NW900-54-814	9-3	NW905-46-211	9-3	P10-1500 S/S	5-41	RCRED/SILVER90	13-4
NW905-01-261	9-15	NW905-46-213	9-3	P10-1900	5-41	RC R/S DAYBRIGHT	13-4
NW905-01-262	9-15	NW905-46-214	9-3	P10-1900 S/S	5-41	RCSILVER	13-4
NW905-01-289	9-11	NW905-46-216	9-3	P16-01	15-1	RCV92-5649020150	13-4
NW905-01-290	9-11	NW905-46-270	9-3	P-80-197-8	1-41, 14-9	RCVANKIT53	13-4
NW905-01-350	9-3	NW905-47-940	9-5	P-80-197-8WHT	14-9	RK-11442	7-10
NW905-01-351	9-3	NW905-47-950	9-3, 9-5	PH11-312	11-11	RK-11443	7-10
NW905-08-004	9-11, 9-13, 9-15	NW905-47-990	9-5	PH11-318	11-11	RK-11682	7-14
NW905-08-009	9-3, 9-15	NW905-48-007	9-9	PH11-3380	11-11	RK-11683	7-14
NW905-16-500	9-11	NW905-48-019	9-5	PH11-3390	11-11	RT0001-08	9-17, 9-19
NW905-16-501	9-11	NW905-48-021	9-5	PH11-3400	11-11	RT0002-05	9-17, 9-19
NW905-16-542	9-13, 9-15	NW905-48-023	9-5	PH15-400	12-2	RT0003-07	9-17, 9-19
NW905-16-543	9-13, 9-15	NW905-48-040	9-3	PH15-600	12-2	RT0075-20	9-17, 9-19
NW905-16-817	9-3	NW905-48-066	9-5	PH15-720	12-2	RT1035-20	9-17, 9-19
NW905-16-818	9-3	NW905-54-107	9-2, 9-6	PH15-730	12-4	RT1605-00	9-16, 9-18
NW905-16-819	9-3	NW905-54-615	9-2, 9-6	PH15-961	12-4	RT1605-01	9-16, 9-18
NW905-19-710	9-11	NW905-54-664	9-2, 9-6	PH16-760	12-2	RT08211-01	9-17, 9-19
NW905-19-711	9-11	NW905-54-994	9-6	PH16-762	12-2	RT10910-01	9-17, 9-19
NW905-19-712	9-11	NW905-57-139	9-15	PH16-779	12-3	RT12915-03	9-17
NW905-19-713	9-11	NW905-57-159	9-3	PH16-798	12-3	RT12920-01	9-17, 9-19
NW905-19-773	9-11	NW905-57-173	9-15	PH30-9621	12-1	RT14344-01	9-17, 9-19
NW905-20-219	9-11	NW905-57-223	9-3	PH31-9623	11-11	RT14345-01	9-17, 9-19
NW905-20-220	9-11	NW905-57-225	9-3			RT17353-01	9-17, 9-19
NW905-20-235	9-11	NW905-60-012	9-8			RT18842-01	9-17, 9-19
NW905-20-338	9-14	NW905-168-16	9-3			RT19260-01	9-16, 9-18
NW905-20-340	9-12	NW930-02-893	9-11			RT19354-159	9-17
NW905-20-363	9-14	NW930-02-907	9-3			RT19630-01	9-16, 9-18
NW905-20-473	9-14	NW930-02-921	9-12			RT19638-01	9-16, 9-18
NW905-20-561	9-14	NW930-02-969	9-12			RT19753-01	9-16, 9-18
NW905-20-568	9-14	NW930-02-993	9-11, 9-12			RT19766-01	9-16, 9-18
NW905-20-620	9-12	NW930-03-029	9-11, 9-12			RT19772-01	9-16, 9-18
						RT19788-02	9-17, 9-19



Part Number	Page(s)	Part Number	Page(s)	Part Number	Page(s)	Part Number	Page(s)
RT19789-02	9-17, 9-19	SA110200	11-2	SSG-1800KIT	13-2	ST327-2715	10-9
RT19913-01	9-17, 9-19	SA110205	11-2	SSGL102	13-2	ST327-2716	10-9
RT19914-01	9-17, 9-19	SA110207	11-2	SSGL202	13-2	ST327-2717	10-9
RT20012-01	9-17, 9-19	SA110310	11-1	SSGR101	13-2	ST327-2718	10-9
RT20018-01	9-17, 9-19	SA110338	11-2	SSGR201	13-2	ST327-2719	10-9
RT20029-01	9-17, 9-19	SA110365	11-2	SSELENS	13-2	ST327-2728	10-9
RT20108-02	9-19	SA110380	11-3	SSS-1800KIT	13-2	ST330-3009	10-11
RT20161-01	9-19	SA110410	11-2	ST307-0713	10-8, 10-9	ST340-4009	10-11
RT20740-01	9-16, 9-18	SA110415	11-3	ST307-0723	10-8, 10-9	ST340-4013	10-11
RT20740-02	9-16, 9-18	SA110470	11-2	ST307-0743	10-8, 10-9	ST340-4019	10-11
RT21225-48	9-16, 9-18	SA110500	11-3	ST307-0744	10-9	ST340-4024	10-11
RT21491-01	9-17, 9-19	SA110600	11-1	ST308-0836	10-8, 10-9	ST340-4034	10-11
RT21580-42	9-19	SA110690	11-3	ST308-0853	10-8, 10-9	ST340-4042	10-11
RT21580-48	9-19	SA140270	11-1	ST308-0856	10-8, 10-9	ST340-4066	10-11
RT22662-01	9-16	SAA1000S	11-1	ST308-0864	10-8, 10-9	ST340-4075	10-11
RT23329-01	9-17, 9-19	SAF2022100000190	7-15	ST309-0903	10-8, 10-9	ST340-4095	10-11
RT23329-02	9-17	SAF2022300000020	7-15	ST309-0904	10-9	ST340-4186	10-11
RT23334-01	9-17, 9-19	SAF2034160000150	7-15	ST309-0912	10-8, 10-9	ST340-4195	10-11
RT703334-01	9-16	SAF2034200000170	7-15	ST309-0915	10-8, 10-9	ST340-4249	10-11
RT0821001	9-17, 9-19	SAF2111100000430	7-15	ST309-0935	10-9	ST342-4009	10-11
RT1979001	9-17	SAF2111100000440	7-15	ST309-0960	10-8, 10-9	ST359-5990	10-11
RTT1705	9-17, 9-19	SAF2111100000450	7-15	ST309-0961	10-9	ST372-7003	10-8
RTT1859	9-17, 9-19	SAF2111100000460	7-15	ST309-0964	10-8, 10-9	ST372-7006	10-9
RTT3164	9-17, 9-19	SAF2111100000470	7-15	ST309-0965	10-9	ST372-7013	10-9
RTT5496	9-17, 9-19	SAF2111100000480	7-15	ST309-0970	10-9	ST372-7023	10-9
RTT7292	9-17, 9-19	SAF2111100000490	7-15	ST309-0973	10-8, 10-9	ST372-7024	10-9
RW2210-D-6868	10-1	SAF2111100000500	7-15	ST320-1036	10-9	ST372-7043	10-9
RW2210-E-6869	10-1	SAF2111100000510	7-15	ST320-2001	10-9	ST372-7091	10-9
RW2210-F-6870	10-1	SAF2111100000520	7-15	ST320-2009	10-9	ST372-7095	10-9
RW2210-G-6871	10-1	SAF2111100000530	7-15	ST320-2010	10-9	ST372-7097	10-8, 10-9
RW2210-Q-8155	10-1	SAF2111200000130	7-14	ST320-2017	10-9	ST372-7098	10-8, 10-9
RW2210-R-8156	10-1	SAF2111200000140	7-14	ST320-2023	10-9	ST372-7099	10-8, 10-9
RW3299-A-5981	10-1	SAF2111200000150	7-14	ST320-2028	10-9	ST373-0144	10-8
RW3299-T-5844	10-1	SAF2111200000160	7-14	ST320-2034	10-9	ST382-8017	10-9
RWKIT8069	10-1	SAF2111200000170	7-14	ST320-2036	10-9	ST382-8023	10-8
RWKIT8078	10-1	SAF2111200000230	7-14	ST320-2039	10-9	ST382-8028	10-8, 10-9
RWKIT8091	10-1	SAF2111200000240	7-14	ST320-2057	10-9	ST382-8034	10-8, 10-9
RWR801003	10-7	SAF2111200000250	7-14	ST320-2091	10-9	ST382-8036	10-8, 10-9
RWR801074	10-7	SAF2111200000260	7-14	ST320-2097	10-9	ST382-8039	10-9
RWR801102	10-7	SAF21112000002480	7-14	ST320-2102	10-9	ST382-8044	10-9
S02 101 102 002	5-47	SAF21112000002490	7-14	ST320-2104	10-9	ST382-8053	10-8, 10-9
S-1013	9-25	SAF21112000002500	7-14	ST320-2105	10-9	ST382-8056	10-8, 10-9
S-1080	9-25	SAF21112000002510	7-14	ST320-2106	10-9	ST382-8060	10-9
S-1159	9-25	SAF21112000002520	7-14	ST320-2109	10-9	ST382-8064	10-9
S-1245	9-25	SEAL GAP	3-12	ST320-2110	10-9	ST383-8139	10-8
S-1561	9-25	SIQK-1HD	10-12	ST320-2113	10-9	ST392-9003	10-9
S-2064	9-25	SIS2010A	10-7	ST320-2114	10-9	ST392-9010	10-9
S-2065	9-25	SIS2022A	10-7	ST320-2115	10-9	ST392-9012	10-8
S-2066	9-25	SLO523-07	9-7	ST320-2117	10-9	ST392-9019	10-9
S-2883	9-25	SLOA1238	9-7	ST320-2118	10-9	ST392-9035	10-9
S-3184	9-25	SLOA1239-01	9-7	ST320-2129	10-9	ST392-9045	10-9
S-3467	9-25	SLOA1239-02	9-7	ST320-2137	10-9	ST392-9057	10-9
S-3518	9-25	SLOA1261	9-7	ST320-2162	10-9	ST392-9060	10-9
S-3830	9-25	SLOA1269-01	9-7	ST320-2173	10-9	ST392-9062	10-9
S-4771	9-25	SLOA1269-02	9-7	ST320-2181	10-9	ST392-9064	10-9
S-5270	9-25	SLOA1273	9-7	ST320-2199	10-9	ST392-9073	10-9
S-6195	9-25	SLOA1274	9-7	ST320-2213	10-9	ST392-9081	10-8
S-11650	9-25	SLOA1277-01	9-7	ST327-2701	10-9	ST392-9087	10-8, 10-9
S-13122	9-25	SN441004	11-9	ST327-2702	10-9	ST392-9088	10-8, 10-9
S-20010	9-25	SN441014	11-9	ST327-2703	10-9	ST392-9089	10-9
S-20124	9-25	SPK0055	9-8	ST327-2704	10-9	ST392-9094	10-8, 10-9
S-20217	9-25	SRK-266	9-2	ST327-2705	10-9	ST392-9095	10-9
S-20900	9-25	SRK-457	9-2	ST327-2706	10-9	ST392-9096	10-8, 10-9
S-22045	9-25	SRK-521	9-2	ST327-2707	10-9	ST392-9097	10-9
S-23720	9-25	SRK530	9-9	ST327-2708	10-9	ST392-9098	10-8, 10-9
SA1000-5A	11-1	SRK-531	9-5	ST327-2709	10-9	ST392-9099	10-8, 10-9
SA110170	11-1	SRK-532	9-5	ST327-2710	10-9	ST392-9112	10-8, 10-9
SA110171	11-1	SRK542	9-9	ST327-2711	10-9	ST392-9132	10-8
SA110191	11-1	SRK585	9-9	ST327-2712	10-9	ST610-0003	10-10
SA110197	11-2	SRK586	9-9	ST327-2713	10-9	ST610-0006	10-10



Part Number	Page(s)	Part Number	Page(s)	Part Number	Page(s)	Part Number	Page(s)
ST610-0007	10-10	STRAA63C40007421	1-18	T80352-420	5-25	TA50007	11-11
ST610-0065	10-10	STRAA63C53381173	1-18	T80352-518	5-25	TA50008	11-12
ST610-0084	10-10	STRAA63C72182421	1-18	T80401-316	5-25	TA50009	11-12
ST640-0001	10-10	STRAA63C72822221	1-18	T80840	5-25	TA50012	11-10
ST640-0003	10-10	STRAA63C73331601	1-18	T80844	5-25	TA50013	11-10
ST650-0587	10-10	STRAA63C74414903	1-18	T89004-1	5-25	TA50016	11-10
ST650-0593	10-10	STRAA63C-UNIVRSL	1-18	T89049	5-25	TA50017	11-10
ST650-0598	10-10	STRAA82C000908E5	3-7	T89100-1	5-25	TA51301	11-6
ST650-0601	10-10	STRAS92C-0015-09	2-28	T89100-2	5-25	TA51321	11-3
ST650-0605	10-10	STR#GA65D00030100	1-5	T89105-416	5-25	TA53007	11-8
ST650-0608	10-10	STR#SK06625	2-28	T89186-3	5-25	TA55101	11-11
ST650-0610	10-10	T29013	5-25	T89210-0032	5-25, 5-44	TA382328G	12-2
ST650-0613	10-10	T29014	5-25	T89210-0036	5-25, 5-44	TB593	10-3
ST650-0626	10-10	T29016	5-25	T89210-0040	5-44	TB665A	10-3
ST650-0627	10-10	T29017	5-25	T89210-0048	5-44	TB752	10-3
ST650-0687	10-10	T29018	5-25	T99610-1	5-24	TB756A	10-3
STR#01510	3-7	T29020	5-25	T99610-2	5-24	TB3782	10-3
STR#01511	3-7	T39000-1008	5-48	T99611-1	5-24	TB28622	10-3
STR#01512	3-7	T39000-1012 CS	5-48	T99611-2	5-24	TB28682	10-3
STR#01513	3-7	T49014-1	5-25	T99836-1	5-24	TB45220	10-3
STR#01695	6-3	T49014-2	5-25	T99836-2	5-24	TB45280	10-3
STR#01854	2-7	T49702-1	5-25	T99837-1	5-24	TB47686	10-3
STR#01854-28	2-7	T49702-2	5-25	T99837-2	5-24	TB715311	10-3
STR#01857	2-7	T51036-2	5-25	T99838-1	5-24	TB715345	10-3
STR#03396	2-13	T51037	5-25	T99838-2	5-24	TBHM212011	10-3
STR#03690	7-4	T51038	5-25	TA31302	11-13	TBHM212049	10-3
STR#03691	7-4	T51042	5-25	TA31305	11-13	TBHM218210	10-3
STR#06043	2-13	T51043	5-25	TA31306	11-13	TBHM218248	10-3
STR#06539	1-24	T51044	5-25	TA31402	11-14	TBHM518410	10-3
STR#06782	1-24	T59003	5-25	TA31403	11-14	TBHM518445	10-3
STR#06876	1-17	T59004	5-25	TA31407	11-14	TC905700-601	7-37, 7-39
STR#06876-114.5	1-17	T59024	5-25	TA31408	11-14	TC905700-602	7-33, 7-35
STR#16313	1-17	T59031	5-25	TA31409B	11-14	TCS 2947	7-8
STR#18977	2-28	T59092	5-25	TA34020	11-13	TCS 4479	7-8
STR#21887	1-17	T59129-1	5-25	TA34021	11-13	TG-10-1004-1	5-33, 5-37
STR#22476	1-8	T59129-2	5-25	TA35000	11-15	TG-10-1004-2	5-35, 5-37
STR#24799	1-17	T59157-3	5-25	TA35001-052	11-15	TG-10-1009-2	5-35, 5-37
STR#24803	2-28	T59157-4	5-25	TA35001-064	11-15	TG-15	5-33, 5-45
STR#27820	3-7	T59158	5-25	TA35002-048	11-15	TG-77	5-33, 5-37, 5-45
STR#28761	1-8	T59159	5-25	TA35002-060	11-15	TG98X107PPW	5-30
STR#29793	1-17	T61026	5-25, 5-44	TA35013	11-15	TG-98X107 WH	5-32
STR#29855	1-17	T61174	5-25, 5-44	TA36001	11-10	TG-1207	5-45
STR#30117	2-28	T61191	5-25	TA36002	11-10	TG-1208	5-35, 5-37
STR#45305	1-17	T61196	5-25, 5-43	TA36011	11-10	TG-1209A	5-33
STR#45309	1-24	T61204	5-25	TA36012	11-10	TG-1209A	5-46
STR#48533	3-7	T61352	5-25, 5-43	TA36101	11-9	TG-1264	5-35, 5-37
STR#52003	2-28	T61390	5-25, 5-44	TA36131	11-9	TG-1370	5-46
STR#52535	1-18	T61401	5-25	TA36141	11-9	TG-1715	5-31, 5-33, 5-35, 5-37
STR-086876-105.5	1-18	T61402	5-25, 5-44	TA36161	11-9	TG-2996	5-33, 5-46
STRAA13D05060100	7-4	T61403	5-25	TA36201	11-9	TG-3228	5-46
STRAA14D06060100	7-4	T69035	5-25, 5-43	TA36231	11-9	TG-4004	5-31, 5-35
STRAA14D06070100	7-4	T69162	5-44	TA36241	11-9	TG-5600-2.5	5-33
STRAA33C01060100	5-19	T69314	5-25	TA36261	11-9	TG-5735	5-33
STRAA35F00020100	5-19	T69431	5-25, 5-43	TA36301	11-9	TG-5803	5-33, 5-37
STRAA35F00030100	5-19	T69432	5-25, 5-43	TA38202	12-2	TG-6943	5-35, 5-37
STRAA35F00040100	5-19	T69571	5-25, 5-43	TA38204	12-3	TG-6944	5-33
STRAA35F00100100	5-19	T69572	5-25, 5-43	TA38213	12-2	TG-7515	5-33, 5-37, 5-45
STRAA35F00230100	5-19	T69793	5-25	TA38215	12-2	TG-8280-2	5-33
STRAA39C000201	3-7	T69832	5-25	TA38260	12-3	TG-9723-19-2	5-33
STRAA39C00120100	3-7	T70093	5-25, 5-43	TA38260B	12-3	TG-9723-24-1	5-35, 5-37
STRAA39C00210100	3-7	T70337	5-44	TA38265	12-3	TG-32110-1B	5-38
STRAA39C00210200	3-7	T80015-1610	5-25	TA38265B	12-3	TG-32110-2B	5-38
STRAA39C00210300	3-7	T80015-1610KIT	5-44	TA38265-G4	12-3	TG-32110-B	5-38
STRAA39C00210400	3-7	T80020	5-25	TA38494	12-2	TG-32111-1B	5-38
STRAA39C00210500	3-7	T80110-4120KIT	5-44	TA38496	12-2	TG-32111-2B	5-38
STRAA59B10270100	1-8	T80300-2414	5-25	TA38497	12-2	TG-32111-B	5-38
STRAA61F03510100	6-3	T80302-1720	5-25	TA45015	12-1	TG-32150-1B	5-38
STRAA63C0017200	2-28	T80302-2436	5-25	TA50004	11-11	TG-32150-2B	5-38
STRAA63C06444500	2-28	T80322-255	5-25	TA50005	11-11	TG-32150-B	5-38
STRAA63C07421900	2-28	T80322-319	5-25	TA50006	11-11	TG-32151-1B	5-38



Part Number	Page(s)	Part Number	Page(s)	Part Number	Page(s)	Part Number	Page(s)
TG-32151-2B.....	5-38	TM90-4-983-0-123.....	2-29	TMRP-883-K-PPW.....	1-19	TS70596.....	10-9
TG-32151-B.....	5-38	TM90-4-1081-0108.....	2-29	TMRP-883-K-SST.....	1-19	TS70597.....	10-9
TG-33110-1B.....	5-39	TM90-4-1563-0126.....	1-37	TMRP-958-K-PPW.....	1-19	TS70598.....	10-9
TG-33110-B.....	5-39	TM90-4-1718-0-99.....	3-8	TMRP-958-SST.....	1-19	TS70788.....	10-9
TG-33111-1B.....	5-39	TM90-4-1721-0110.....	2-29	TRA 3-A3-62.....	9-26	TS70789.....	10-9
TG-33111-B.....	5-39	TM90-4-1801-0100.....	3-8	TRA 021.....	9-26	TS70791.....	10-9
TG-33150-1B.....	5-39	TM90-4-1911-0123.....	2-29	TRA 023.....	9-26	TS70796.....	10-9
TG-33150-B.....	5-39	TM90-4-1988-0112.....	2-29	TRA 2726.....	9-26	TS70798.....	10-9
TG-33151-1B.....	5-39	TM90-4-1988P0112.....	2-29	TRA 2727.....	9-26	TS70799.....	10-9
TG-33151-B.....	5-39	TM90-4-2033P0112.....	2-29	TRA 2728.....	9-26	UB311.....	9-26
TG-34110-1B.....	5-39	TM90-4-2305-240.....	2-14	TRA 2740.....	9-26	UB312.....	9-26
TG-34110-B.....	5-39	TM90-4-2305-625.....	2-14	TRA 2741.....	9-26	UB313.....	9-26
TG-34111-1B.....	5-39	TM90-4-2313-0-73.....	1-37	TS65000U.....	10-9	UB314.....	9-26
TG-34111-B.....	5-39	TM90-4-2349-0121.....	2-29	TS65024U.....	10-9	UB315.....	9-26
TG-34150-1B.....	5-39	TM90-4-2352-240.....	2-7	TS65027U.....	10-9	UB514.....	9-26
TG-34150-B.....	5-39	TM90-4-2352-521.....	2-7	TS65030U.....	10-9	UCD0511-1.....	9-26
TG-34151-1B.....	5-39	TM90-4-2352-561.....	2-7	TS65056U.....	10-9	UNM 6325.....	14-5
TG-34151-B.....	5-39	TM90-4-2352-625.....	2-7	TS65060U.....	10-9	UNM 6328.....	14-5
TG-61026.....	5-31, 5-33, 5-35, 5-44	TM90-4-2353-0-73.....	1-37	TS65065U.....	10-9	UT-01-1550-0-32.....	1-6
TG-61174.....	5-31, 5-35, 5-37, 5-44	TM90-4-2353-0-88.....	1-37	TS65071U.....	10-9	UT-01-1550-0-33.....	1-6
TG-61193.....	5-35, 5-37	TM90-4-2400P0117.....	1-31	TS65078U.....	10-9	UT-1-4950-004.....	5-20
TG-61196.....	5-31, 5-43	TM508-15-216-22.....	1-24	TS65092U.....	10-9	UT-01-6500-0-14.....	2-31
TG-61352.....	5-31, 5-43	TM508-20-29-31.....	1-24	TS65111U.....	10-9	UT-01-6500-0-35.....	2-31
TG-61401.....	5-43	TM511-1-109-2.....	1-36	TS65116U.....	10-9	UT-01-6500-0-155.....	1-27
TG-61402.....	5-31, 5-33, 5-44	TM511-1-109-2-1.....	1-36	TS65152U.....	10-9	UT-01-6500-110.....	2-31
TG-61403.....	5-31, 5-33	TM511-1-109-2-2.....	1-36	TS65172U.....	10-9	UT-01-6500-156.....	1-27
TG-69035.....	5-31, 5-43	TM511-1-130B.....	1-36	TS65184U.....	10-9	UT-01-6500-157.....	2-31
TG-69431.....	5-43	TM511-1-137L-B-A.....	1-36	TS65261U.....	10-9	UT-01-6500-159.....	1-27
TG-69432.....	5-43	TM511-1-137L-B-B.....	1-36	TS65262U.....	10-9	UT-01-6500-160.....	1-27
TG-69433.....	5-31	TM511-1-137R-B-A.....	1-36	TS65263U.....	10-9	UT-01-6500-164.....	1-27
TG-69571.....	5-31, 5-35, 5-43	TM511-1-137R-B-B.....	1-36	TS65270U.....	10-9	UT-01-6650-0-061.....	2-8
TG-69572.....	5-31, 5-35, 5-43	TM513-5-600-1166.....	2-30	TS65275U.....	10-9	UT-01-6650-0-062.....	2-8
TG-70001-5.....	5-35, 5-37	TM513-5-600-1250.....	2-30	TS65283U.....	10-9	UT-01-6650-0-071.....	1-37
TG-70093.....	5-35, 5-37, 5-43	TM513-686-1226-A.....	2-30	TS65291U.....	10-9	UT-01-6650-0-091.....	2-8
TG-80015-40.....	5-44	TM514-3-145-A-2.....	3-8	TS65294U.....	10-9	UT-01-6650-0-113.....	2-14
TG-80015-1610.....	5-31, 5-33	TM514-3-152B.....	3-8	TS65298U.....	10-9	UT-01-6650-0-149.....	2-8
TG-80020.....	5-31, 5-33, 5-35, 5-37	TM515-10-61A.....	5-20	TS69510.....	10-9	UT-01-6650-0-150.....	2-14
TG-80401-316.....	5-31, 5-35, 5-37	TM515-10-65.....	5-20	TS69520.....	10-9	UT-01-6650-0-155.....	1-37
TG-80840.....	5-31	TM515-10-73A.....	5-20	TS69541.....	10-9	UT-01-6650-0-167.....	2-8
TG-80840-1.....	5-35, 5-37	TM515-10-78-1.....	5-20	TS69590.....	10-9	UT-01-6650-0-179.....	2-14
TG-80844-19.....	5-31	TM515-10-78-2.....	5-20	TS69598.....	10-9	UT-01-6650-0-190.....	2-8
TG-89210-32.....	5-31, 5-33, 5-44	TM515-12-13.....	5-23	TS69599.....	10-9	UT-03-1103-0-077.....	7-6
TG-89210-36.....	5-31, 5-33, 5-44	TM700-1-44.....	14-11	TS69611.....	10-9	UT-03-1103-0-078.....	7-6
TG-89210-40.....	5-33, 5-44	TM700-1-66.....	14-11	TS69628.....	10-9	UT-03-1103-0-123.....	7-6
TG-89231-2.....	5-31, 5-33	TM700-4-503.....	7-5	TS69690.....	10-9	UT-03-1103-0-124.....	7-6
TG-99991-93.....	5-31	TM700-4-507.....	7-6	TS69692.....	10-9	UT-03-1250-0-025.....	5-48
TG-913041.....	5-31, 5-35	TM700-99-484.....	14-11	TS69693.....	10-9	UT-03-1600-0-040.....	3-8
TG-913042.....	5-33, 5-37	TM700-513-18-26.....	2-41	TS69695.....	10-9	UT-03-1600-0-053.....	3-8
TG-HD15.....	5-35, 5-37	TM700-513-27-26.....	2-41	TS69696.....	10-9	UT-03-1600-0-054.....	3-8
TG-HD15-2.....	5-35, 5-37	TM700-513-38.....	2-41	TS69697.....	10-9	UT-03-2500-0-064.....	1-20
TG-HD1207-2.....	5-35, 5-37	TM700-519-1.....	1-24	TS69698.....	10-9	UT-03-2500-0-098.....	1-20
TG-HD1209-A.....	5-35, 5-37	TM6001-3-123B.....	6-4	TS69699.....	10-9	UT-03-3550-0-038.....	5-4
TG-HD-5600-2.5.....	5-35, 5-37	TM6513-5-130-12.....	2-30	TS69705.....	10-9	UT-03-4100-0-019.....	5-20
TL5088L.....	12-3	TM7511-A1-05.....	1-6	TS69706.....	10-9	UT-03-4100-0-022.....	5-20
TL50400.....	12-4	TM7511-A1-06L.....	1-6	TS69743.....	10-9	UT-03-6001-0-103.....	2-41
TL50860.....	12-2	TM7511-A1-06R.....	1-6	TS69780.....	10-9	UT-03-6001-0-104.....	2-42
TL50861.....	12-2	TM7511-A1-08.....	1-6	TS69781.....	10-9	UT-03-6001-0-105.....	2-42
TL50865.....	12-2	TM7513-5-37-1166.....	2-29	TS69782.....	10-9	UT-03-6001-0-183.....	2-42
TL50872.....	12-2	TM7513-5-44-1166.....	2-30	TS69785.....	10-9	UT-03-6001-098.....	2-42
TL50875.....	12-3	TM9513-1-1458A.....	1-24	TS69787.....	10-9	UT-03-6101-0-008.....	5-23
TL50883.....	12-3	TM9513-5-1114.....	2-30	TS69788.....	10-9	UT-03-6512-0-026.....	2-32
TL97960.....	14-2	TM9514-3-11-2.....	3-8	TS69789.....	10-9	UT-03-6512-0-027.....	2-31
TM4-A1-223.....	7-5	TM9514-3-78B.....	3-8	TS69791.....	10-9	UT-03-6512-0-028.....	2-31
TM4-A1-224L.....	7-5	TM9519-1-507-E9.....	1-24	TS69794.....	10-9	UT-03-6512-0-029.....	2-32
TM4-A1-224L-G.....	7-5	TMRP102K-PPW.....	1-19	TS69795.....	10-9	UT-03-6512-0-033.....	2-32
TM4-A1-224R.....	7-5	TMRP102-SST.....	1-19	TS69796.....	10-9	UT-03-6512-0-040.....	2-32
TM4-A1-224R-G.....	7-5	TMRP115-MFA.....	1-26	TS69797.....	10-9	UT-03-6512-0-042.....	1-31
TM11-1-248.....	14-11	TMRP-205-CCR.....	1-24	TS69798.....	10-9	UT-03-6513-0-011.....	2-32
TM90-4-483-0-114.....	2-29	TMRP-881-K-PPW.....	1-19	TS69799.....	10-9	UT-03-6513-0-016.....	2-32
TM90-4-703-0-93.....	3-8	TMRP-881-SST.....	1-19	TS70541.....	10-9	UT-03-6513-0-019.....	2-32



Part Number	Page(s)	Part Number	Page(s)	Part Number	Page(s)	Part Number	Page(s)
UT-03-6513-0-033	2-32	W10-1002-49	5-29	W3034	5-27, 5-29	WAB-04A02464	1-39
UT-03-6650-0-310	1-37	W10-1002-54	5-27	W3100	5-27	WAB-04A02474	1-39
UT-03-6650-0-423	1-37	W10-1002-73	5-27, 5-29	W3228	5-29, 5-46	WAB-04S00020	1-31
UT-03-6650-0-510	1-37	W10-1003-11	5-27	W3257	5-27	WAB-00120144	2-33
UT-04-2575-0-099	6-4	W10-1004-2	5-27	W4003	5-27	WAB-01106921	2-8
UT-04-2575-0-118	6-4	W10-1006-1	5-27, 5-29	W4004	5-27	WAB-01107082	1-20
UT-118	2-31	W10-1009-5	5-27	W4007	5-27	WAB-01107364	2-8
V325614-012	10-10	W10-1009-8	5-29	W4012	5-27	WAB-01107434	2-8
V325614-101	10-10	W10-1010-3	5-29	W4013	5-27	WAB-01200038	2-33
V325614-107	10-10	W10-1010-8	5-27	W4014	5-27	WAB-01200047	2-33
V325614-108	10-10	W10-1010-9	5-27	W4019	5-27	WAB-01200069	2-33
V777717-475	10-10	W10-1010-31	5-27	W4020-1	5-27	WAB-01200109	2-33
V777717-484	10-10	W10-1022-1	5-27, 5-29	W4021	5-27	WAB-01200120	2-34
V777717-490	10-10	W10-1025-4	5-27	W4024	5-27	WAB-01200202	2-34
V777717-494	10-10	W10-1033-2	5-29	W4025	5-27	WAB-01200262	2-34
V777717-500	10-10	W10-1063-1	5-27, 5-29	W4027	5-27	WAB-01200464	2-34
V777717-510	10-10	W10-1073-2	5-27	W4028	5-27	WAB-01200550	2-34
V777717-514	10-10	W11-XX	5-29	W4029	5-27	WAB-01200725	2-34
V777717-520	10-10	W15	5-29, 5-45	W4032	5-27, 5-29	WAB-01200923	2-34
V777717-525	10-10	W18-3	5-29	W4033	5-27	WAB-03011215	3-9
V777717-546	10-10	W58A-1	5-3	W4034	5-27	WAB-04000001	1-38
V777717-572	10-10	W70-13	5-29	W4038	5-27	WAB-04000015	1-38
V777717-588	10-10	W77	5-29, 5-45	W4039	5-27	WAB-04000072	1-38
V777717-600	10-10	W83	5-29	W4042	5-27	WAB-04000595	1-38
V777717-612	10-10	W241	5-29	W4045	5-27	WAB-04300002	1-6
V777717-624	10-10	W242	5-29	W4046	5-27	WAB-04300004	1-6
V777717-637	10-10	W248	5-29	W4050	5-27	WAB-06300291	5-21
VAN-EXT0002-621M	2-14	W251	5-29	W4051	5-27	WAB-07200003	3-9
VAN-EXT0002-3660	2-14	W252	5-29	W4052	5-27	WAB-07200005	3-9
VAN-FWP00012	1-20	W258	5-29	W4053	5-27	WAB-07200012	3-9
VAN-FWP00027	1-38	W341	5-29	W4077	5-27	WAB-07200028	3-9
VAN-FWP00063	1-38	W342	5-29	W4090	5-27	WAB-07200033	3-9
VAN-FWP00100	1-38	W348	5-29	W4127	5-27	WAB-07200040	3-9
VAN-RFP00020	5-21	W352	5-29	W4128	5-27	WAB-07200043	3-10
VAN-RFP00127	5-21	W358	5-29	W4130	5-27	WAB-07200074	3-10
W01-358-7555	9-24	W954	5-46	W4204	5-27	WAB-07200079	3-10
W01-358-8050	9-24	W1021	5-29	W4429	5-27	WAB-07200106	3-10
W01-358-8204	9-24	W1031	5-29	W4433	5-27	WAB-21100291	5-21
W01-358-8709	9-24	W1207	5-29, 5-45	W4441	5-27	WAB-21101272	5-21
W01-358-8729	9-24	W1208	5-29, 5-46	W4445	5-27	WAB-040026341202	1-20
W01-358-8755	9-24	W1208R	5-46	W5423	5-29, 5-46	WAB-E0011080	2-15
W01-358-8944	9-24	W1209	5-29	W5726	5-29	WAB-E0013240	2-15
W01-358-9039	9-24	W1264	5-29, 5-45	W5735	5-29	WAB-E0016260	2-15
W01-358-9082	9-24	W1370	5-29, 5-46	W6943	5-29, 5-45	WAB-E0071080	2-15
W01-358-9101	9-24	W1371	5-29	W6944	5-29	WAB-E0073240	2-15
W01-358-9243	9-24	W1676	5-29, 5-46	W7515	5-27, 5-29, 5-45	WAB-E0076260	2-15
W01-358-9265	9-24	W1715	5-27, 5-29	W7575	5-27	WAB-E0081200	1-28
W01-358-9270	9-24	W1801	5-29, 5-46	W8280	5-29	WAB-E0366260	2-9
W01-358-9293	9-24	W2275-1	5-29	W8280-2	5-29	WAB-E468114	2-34
W01-358-9295	9-24	W2275-2	5-29	W8652	5-27	WAB-E0531080	2-15
W01-358-9307	9-24	W2370	5-29	W8654	5-27	WAB-E0536260	2-15
W01-358-9321	9-24	W2376	5-29	W8656	5-27	WAB-E0551080	2-15
W01-358-9362	9-24	W2471	5-29	W8813	5-27	WAB-E0553240	2-15
W01-358-9365	9-24	W2518	5-29	W8814	5-27	WAB-E0556260	2-15
W01-358-9366	9-24	W2522	5-29	W9723	5-27	WAB-E0766130	2-19
W01-358-9394	9-24	W2523	5-29	W9723-1	5-27	WAB-E0821200	3-10, 3-12
W01-358-9484	9-24	W2524	5-29	W9723-2	5-27	WAB-E0901200	2-34
W01-358-9640	9-24	W2525	5-29	W9723-XX	5-29	WAB-E1761098	1-20
W01-358-9780	9-24	W2526	5-29	WAB-1C00003	2-43	WAB-E3226260	2-15
W01-358-9921	9-24	W2528	5-29	WAB-01 C 00059	2-43	WAB-E3501200	2-34
W01-358-9923	9-24	W2547	5-29	WAB-01 C00062	2-43	WAB-E3831080	2-9
W1-XX	5-29	W2548	5-29	WAB-01 C00205	2-43	WAB-E3833240	2-9
W6	5-27, 5-29	W2699	5-27, 5-29	WAB-04A00005	1-39	WAB-E3836260	2-9
W10-1002-3	5-27, 5-29	W2701	5-27	WAB-04A00211	1-39	WAB-E4881200	5-48
W10-1002-4	5-27	W2704	5-29	WAB-04A00218	1-39	WAB-E6141200	1-20
W10-1002-9	5-27, 5-29	W2705	5-29	WAB-04A00735	1-39	WAB-E7026260	2-9
W10-1002-11	5-27, 5-29	W2804	5-29, 5-45	WAB-04A00800	1-39	WAB-E7321080	2-9
W10-1002-23	5-29	W2901	5-29	WAB-04A01826	1-39	WAB-E7323240	2-9
W10-1002-36	5-27	W2902	5-29	WAB-04A02093-04	1-20	WAB-E7326260	2-9
W10-1002-42	5-27	W2996	5-29, 5-46	WAB-04A02094-04	1-20	WAB-E8116260	2-9

Part Number	Page(s)
WAB-E8216260	2-15
WAB-E8351200	1-28
WAB-E8411260	2-34
WAB-E9966260	2-9
WAB-E9976260	2-9
WB10209	10-4
WB20231	10-4
WB20231UQ3KIT	10-4
WB20231UQ3T-25KT	10-4
WB60876	10-5
WB61528B	10-5
WB61730	10-5
WB61780	10-5
WB62200	10-5
WB62240	10-5
WB62997	10-5
WB63637	10-5
WB63680F	10-5
WB66864	10-4, 10-5
WB66864F	10-5
WB66865B	10-5
WB66875F	10-5
WB66884	10-5
WB66884B	10-5
WB66893	10-4, 10-5
WB66894	10-5
WB66895	10-5
WB66895B	10-5
WB67518	10-4, 10-5
WB68730	10-5
WB68760	10-5
WB68765	10-5
WB68891	10-5
WB68891B	10-5
WB68897	10-5
WB68927	10-5
WB68942	10-5
WB68981B	10-5
WB69996B	10-5
WB75209	10-4
WB101160	10-4, 10-12
WB101162	10-4, 10-12
WB101172	10-4, 10-12
WB101173	10-4, 10-12
WB159183	10-12
WB159184	10-12
WGP90X90	5-26
WGP90X90KIT	5-26
WGP96X100	5-26
WGP96X100KIT	5-26
WGP96X107	5-26
WGP96X107KIT	5-26
WXX	5-29
XA-S-90-0	7-26
XA-S-1910	7-26
XA-S-1914	7-26
XA-S-1938	7-26
XA-V-1914	7-27
XA-V-1938	7-27
XB-CTP-014-59	9-7
XB-HHC-001-33	9-7
XB-PW-016-85	9-7
XB-SLN-012-42	9-7
XB-SLOA1054	9-7
XB-SP0012-10	7-11, 7-15
XB-SPG-020-35	9-7
XB-ST5-008-16	9-7
ZGPVW	2-10
ZPVW	2-10
ZTPVW	2-10

Return Goods Policy

All returns must be preapproved and issued a Return Goods Authorization Number (RGA#).

Shortages and Adjustments

Any claim for shortage or adjustment must be made within 30 days from the date of the invoice.



PARTS SALES

Your Make. Your Model. Your Part.

